



ERSATZTEILLISTE

Spare Parts List
Catalogue de pièces détachées
Catalogo parti di ricambio
Catálogo de recambio

ELEKTRO GABELSTAPLER

Electric Fork Truck
Chariot élévateur électrique
Carrello elevatore elettrico
Carretilla elevadora eléctrica

STILL ELECTRONIC DOCUMENTATION SYSTEM

RX50-10 Compact
RX50-10
RX50-13
RX50-15
RX50-16

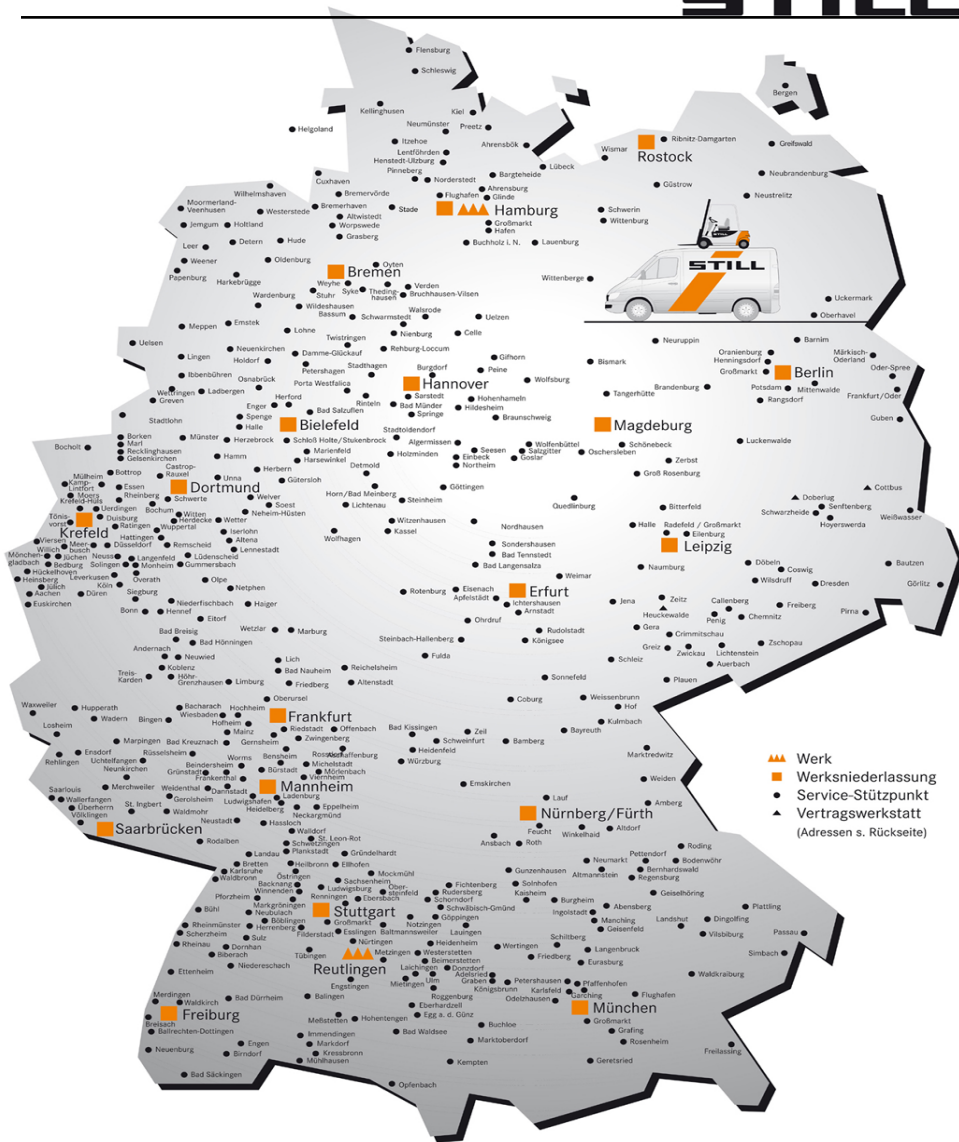


5060 5061 5063 5065 5066

first in intralogistics

55048010000 - 09.2010

Fig	Part-No.	Qty.	Description	Remark	validity	trucks
▶			PRODUCT INFORMATION		30.08.2010->	
▶			MECHANICAL DRIVE AXLE		30.08.2010->	
▶			CHASSIS		30.08.2010->	
▶			OPERATOR'S COMPARTMENT		30.08.2010->	
▶			FRONT AXLE			
▶			STEERING SYSTEM		30.08.2010->	
▶			WHEELS AND TYRES		30.08.2010->	
▶			BRAKING SYSTEM		30.08.2010->	
▶			CONTROLS		30.08.2010->	
▶			DISPLAY ELEMENT		30.08.2010->	
▶			ELECTRICS; ELECTRONICS			
▶			ELECTRONIC CONTROLS		30.08.2010->	
▶			HYDRAULICS		30.08.2010->	
▶			WORKING HYDRAULICS		30.08.2010->	
▶			VALVE		30.08.2010->	
▶			LOAD LIFTING SYSTEM		30.08.2010->	
▶			HUBGERÜST		30.08.2010->	
▶			LOAD CARRIER		30.08.2010->	
▶			ATTACHMENTS		30.08.2010->	
▶			SPECIAL EQUIPMENT NARROW AISLE TRUCKS		30.08.2010->	
▶			OTHER ACCESSORIES		30.08.2010->	



Mehr erreichen.

DEUTSCHLAND

IDENT-NR: 905146
ORDER-NO: 905146



STILL-Service international.

INTERNATIONAL

IDENT-NR: 157528
ORDER-NO: 157528

Fig	Part-No.	Qty.	Description	Remark	validity	trucks
▶			VEHICLE DOCUMENTS		13.08.2010->	

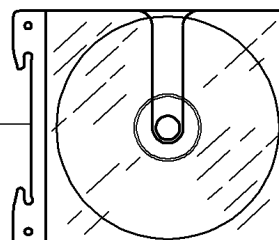
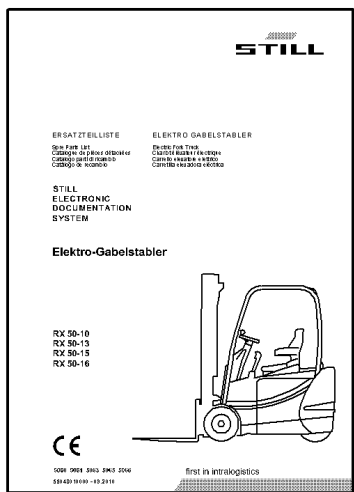
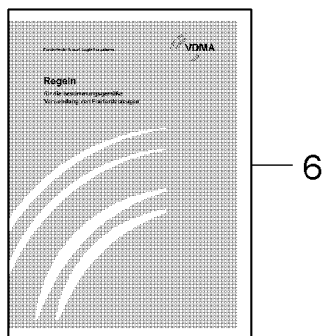
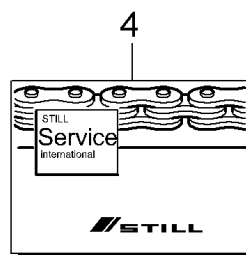
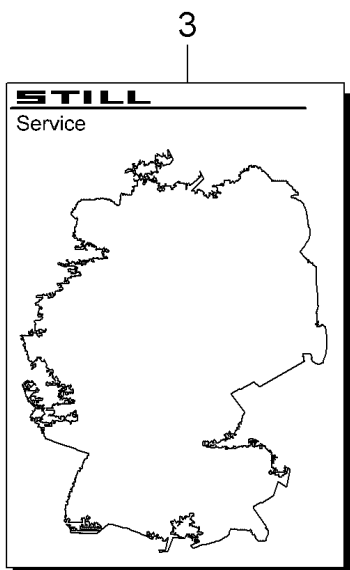
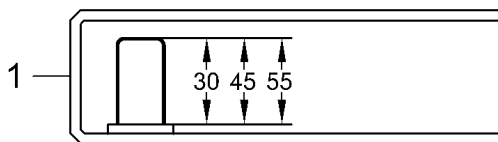
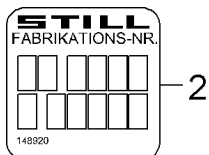


ABB: D

<http://www.still.de>

18052

Fig	Part-No.	Qty.	Description	Remark	validity	trucks
1	0146792	1	FILE	fill level = 30 mm		
1	0146793	1	FILE	fill level = 45 mm		
1	0146794	1	FILE	fill level = 55 mm		
2	0148920	1	STICKER			
3	0905146	1	OVERVIEW OF FROMS STILL SERVICE A4			
4	0157528	1	SERVICE BOOKLET			
5	0148837	1	SERVICE INFORMATION			
6	0170208	1	GUIDELINE	DE		
6	0170209	1	GUIDELINE	EN		
6	0170210	1	GUIDELINE	FR		
6	0170211	1	GUIDELINE	ES		
6	0170212	1	GUIDELINE	IT		
6	0170215	1	GUIDELINE	DA		
6	0170213	1	GUIDELINE	NL		
6	0170217	1	GUIDELINE	PT		
6	0170219	1	GUIDELINE	EL		
6	0170214	1	GUIDELINE	SV		
6	0170216	1	GUIDELINE	NO		
6	0170218	1	GUIDELINE	FI		
6	0170225	1	GUIDELINE	PL		
6	0170224	1	GUIDELINE	HU		
6	0170220	1	GUIDELINE	CZ		
6	0170226	1	GUIDELINE	SK		
6	0170227	1	GUIDELINE	SL		
6	0170221	1	GUIDELINE	ET		
6	0170223	1	GUIDELINE	LV		
6	0170222	1	GUIDELINE	LT		
6	0170228	1	GUIDELINE	TR		
6	0170229	1	GUIDELINE	RU		
6	0172987	1	GUIDELINE	BG		
6	0172988	1	GUIDELINE	RO		
7	55048011500	1	UM	USER MANUAL DE		
7	55048011501	1	UM	USER MANUAL EN		
7	55048011502	1	UM	USER MANUAL		
7	55048011503	1	UM	USER MANUAL ES		
7	55048011504	1	UM	USER MANUAL IT		
7	55048011505	1	UM	USER MANUAL DA		
7	55048011506	1	UM	USER MANUAL NL		

Fig	Part-No.	Qty.	Description	Remark	validity	trucks
7	55048011507	1	UM	USER MANUAL PT		
7	55048011508	1	UM	USER MANUAL EL		
7	55048011509	1	UM	USER MANUAL BG		
7	55048011510	1	UM	USER MANUAL SV		
7	55048011511	1	UM	USER MANUAL NO		
7	55048011512	1	UM	USER MANUAL FI		
7	55048011513	1	UM	USER MANUAL RU		
7	55048011514	1	UM	USER MANUAL RO		
7	55048011515	1	UM	USER MANUAL PL		
7	55048011516	1	UM	USER MANUAL HU		
7	55048011517	1	UM	USER MANUAL CS		
7	55048011518	1	UM	USER MANUAL SK		
7	55048011519	1	UM	USER MANUAL SL		
7	55048011520	1	UM	USER MANUAL ET		
7	55048011521	1	UM	USER MANUAL LV		
7	55048011522	1	UM	USER MANUAL LT		
7	55048011523	1	UM	USER MANUAL IS		
7	55048011524	1	UM	USER MANUAL TR		
8	55048010000	1	SPL	spare parts catalogue DE / EN / FR / ES / IT		

Fig	Part-No.	Qty.	Description	Remark	validity	trucks
▶			GEAR DRIVE			

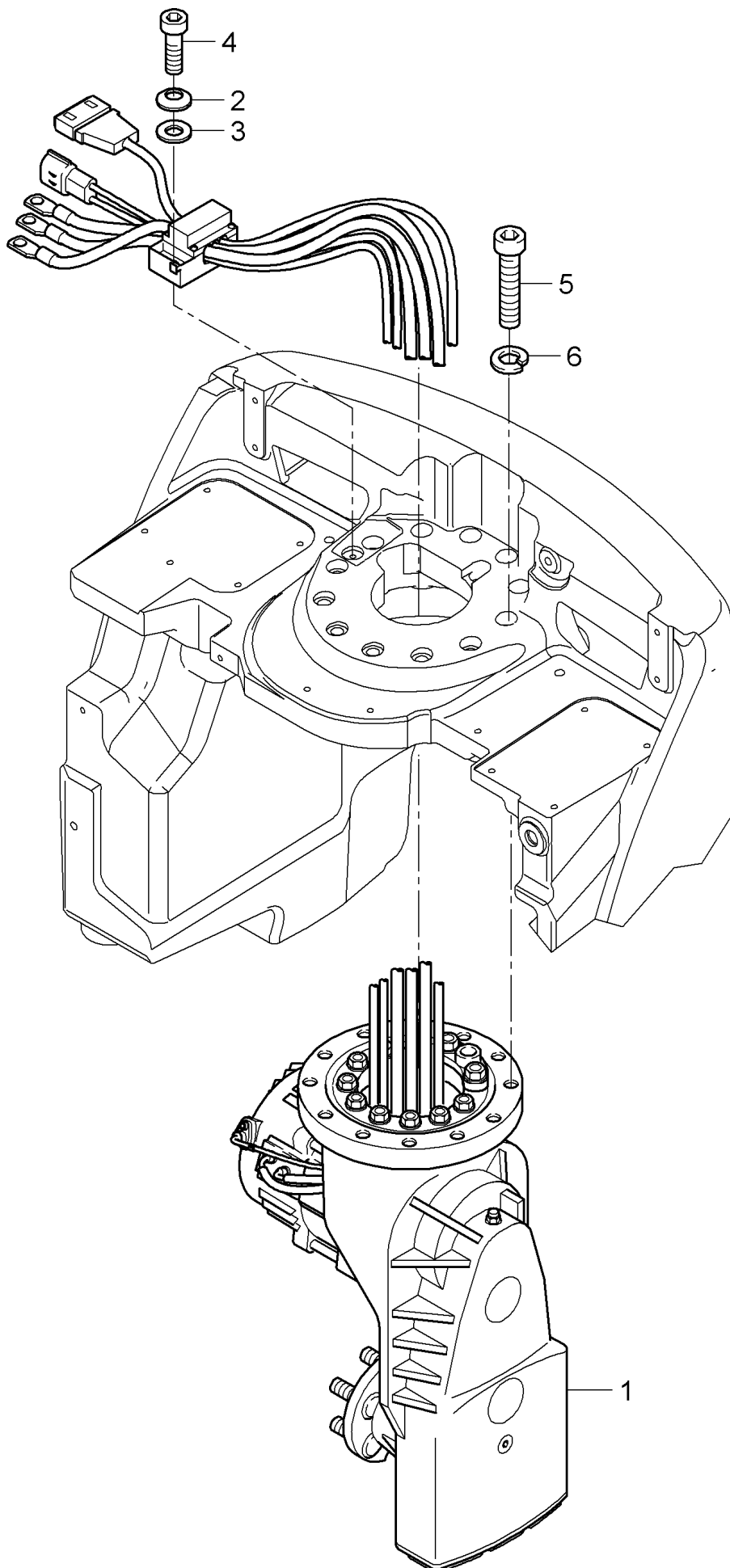


Fig	Part-No.	Qty.	Description	Remark	validity	trucks
▶ 1			WHEEL DRIVE ASSY.		->04.03.2012	
▶ 1			WHEEL DRIVE ASSY.		05.03.2012- >04.04.2013	
▶ 1			WHEEL DRIVE ASSY.		05.04.2013- >18.02.2016	
▶ 2			WHEEL DRIVE ASSY.		19.02.2016->	
2	0530487	1	DISC SPRING			
3	8002073	1	WASHER			
4	0502143	1	SOCKET HEAD SCREW			
5	0505298	12	SOCKET HEAD SCREW			
6	0500955	12	DETENT RING			

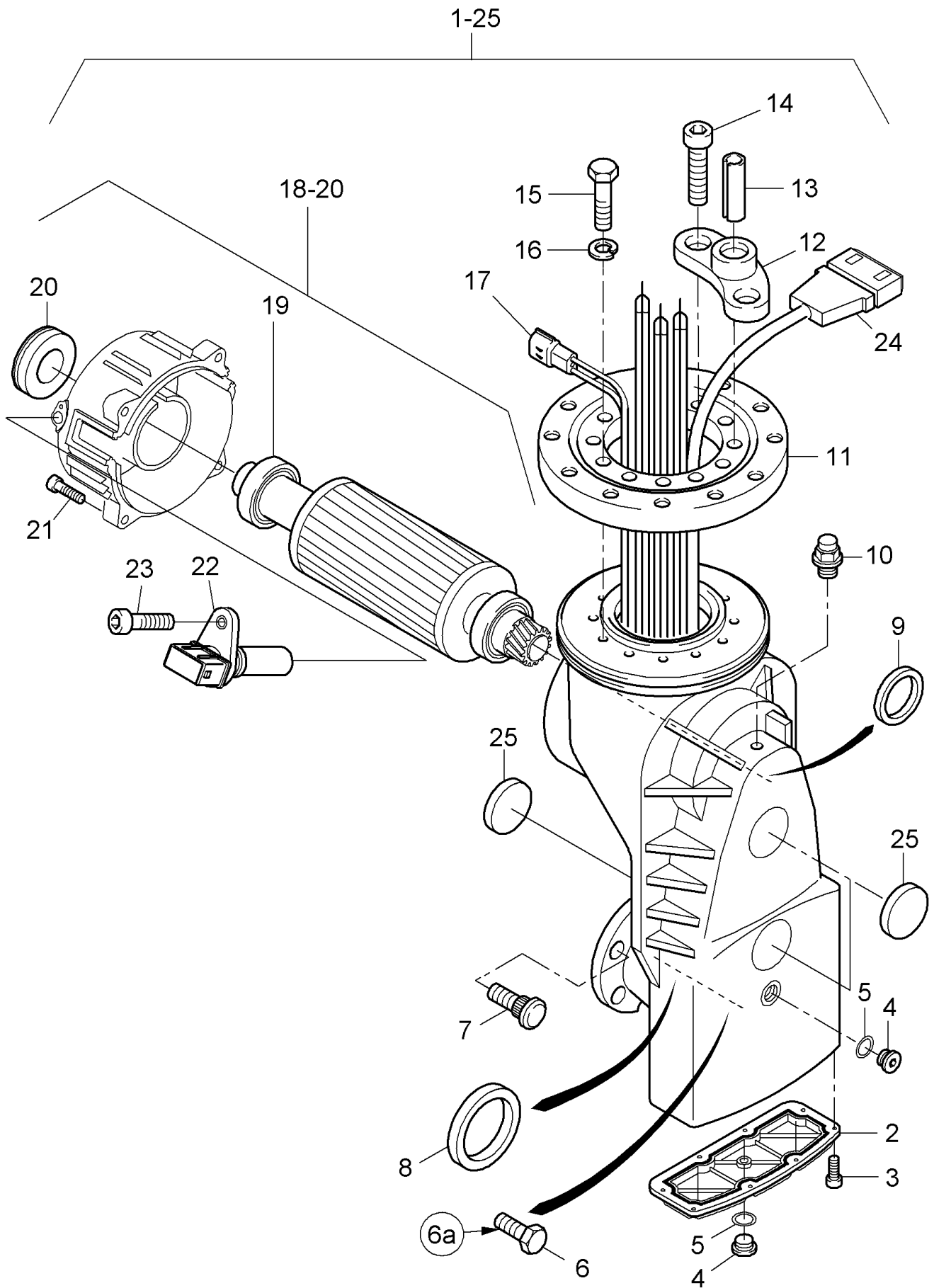


Fig	Part-No.	Qty.	Description	Remark	validity	trucks
1-25	55042600500	1	DRIVE WHEEL UNIT ASSY.			
1-25	55042609000	1	GEARBOX EX.ASSY.			
1-25	55042609100	1	GEARBOX UP.ASSY.			
2	0163669	1	COVER COMPL.	with O-ring		
3	0505274	8	SOCKET HEAD SCREW			
4	0163645	2	SCREW PLUG			
5	0163646	2	SEAL			
6	0163640	1	HEXAGON BOLT			
6a	0147420	0	ADHESIVE	LOCTITE 243		
7	0137162	5	BOLT			
8	0163641	1	SHAFT SEAL			
9	0163642	1	SHAFT SEAL			
10	0163644	1	BLEEDER			
11	0163670	1	RING MOUNT			
12	0391717	1	STOP			
13	0527143	1	PIN			
14	0505295	2	SOCKET HEAD SCREW			
15	0505374	9	HEXAGON BOLT			
16	0528867	9	LOCK EDGE WASHER			
17	0163663	1	REPAIR KIT	temperature sensor		
18-20	55043501500	1	ROTOR ASSY.	15 tooth		
19	0512799	1	GROOVED BALL BEARING			
20	0171177	1	COVER			
21	0505276	4	SOCKET-HEAD SCREW			
22	7917415637	1	SENSOR	transmitter impulse		
23	0505273	1	CHEESE-HEAD SCREW	DIN912 M6X12-8.8 A2A		
24	55043800300	1	WIRING HARNESS ASSY.			
25	0164805	3	COVER			

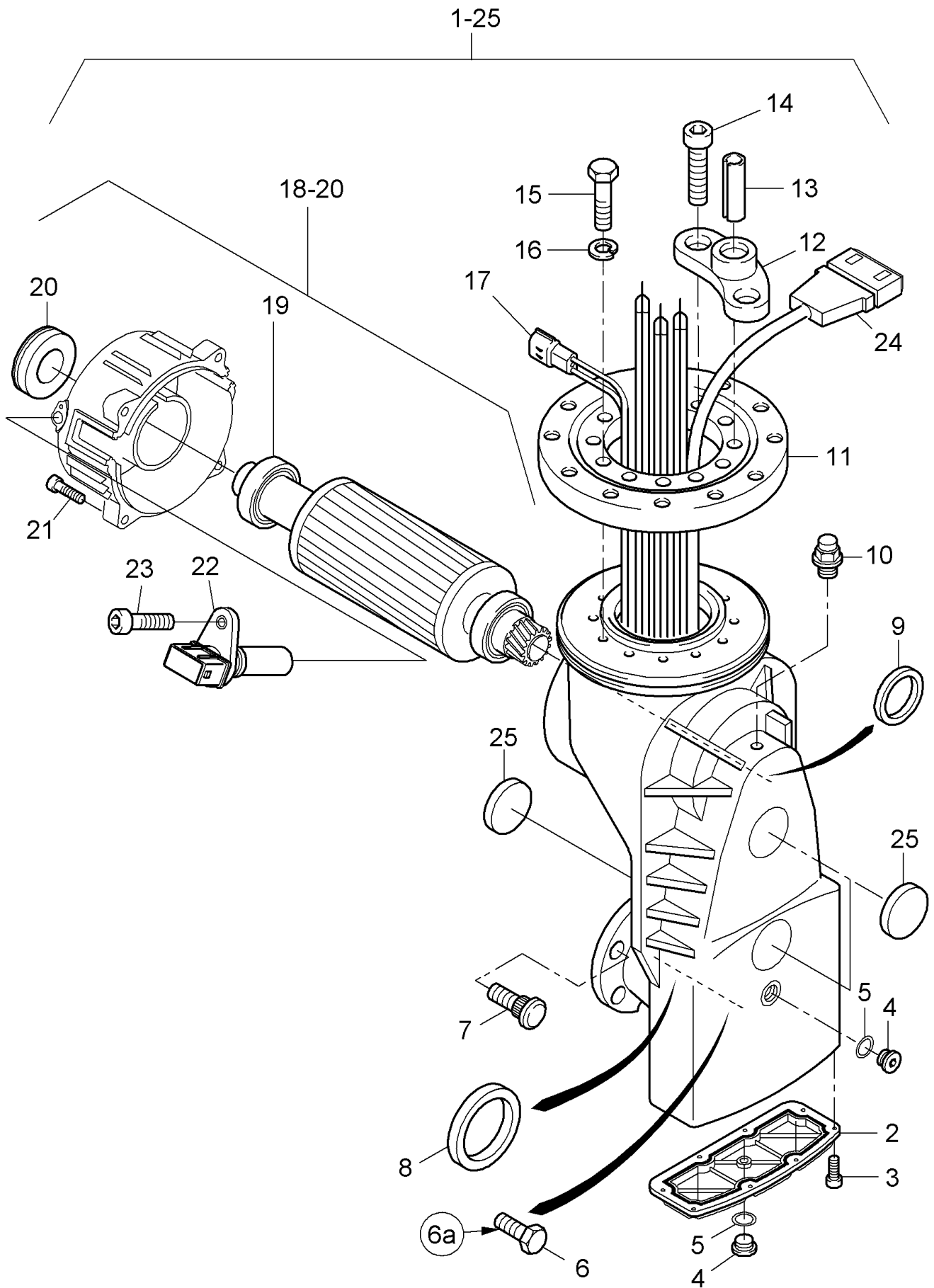


Fig	Part-No.	Qty.	Description	Remark	validity	trucks
1-25	55042600501	1	DRIVE WHEEL UNIT ASSY.			
2	0163669	1	COVER COMPL.	with O-ring		
3	0505274	8	SOCKET HEAD SCREW			
4	0163645	2	SCREW PLUG			
5	0163646	2	SEAL			
6	0163640	1	HEXAGON BOLT			
6a	0147420	0	ADHESIVE	LOCTITE 243		
7	0137162	5	BOLT			
8	0163641	1	SHAFT SEAL			
9	0163642	1	SHAFT SEAL			
10	0163644	1	BLEEDER			
11	0163670	1	RING MOUNT			
12	0391717	1	STOP			
13	0527143	1	PIN			
14	0505295	2	SOCKET HEAD SCREW			
15	0505374	9	HEXAGON BOLT			
16	0528867	9	LOCK EDGE WASHER			
17	0163663	1	REPAIR KIT	temperature sensor		
18-20	55043501501	1	ROTOR ASSY.	23 tooth		
19	0512799	1	GROOVED BALL BEARING			
20	0171177	1	COVER			
21	0505276	4	SOCKET-HEAD SCREW			
22	7917415637	1	SENSOR	transmitter impulse		
23	0505273	1	CHEESE-HEAD SCREW	DIN912 M6X12-8.8 A2A		
24	55043800300	1	WIRING HARNESS ASSY.			
25	0164805	3	COVER			

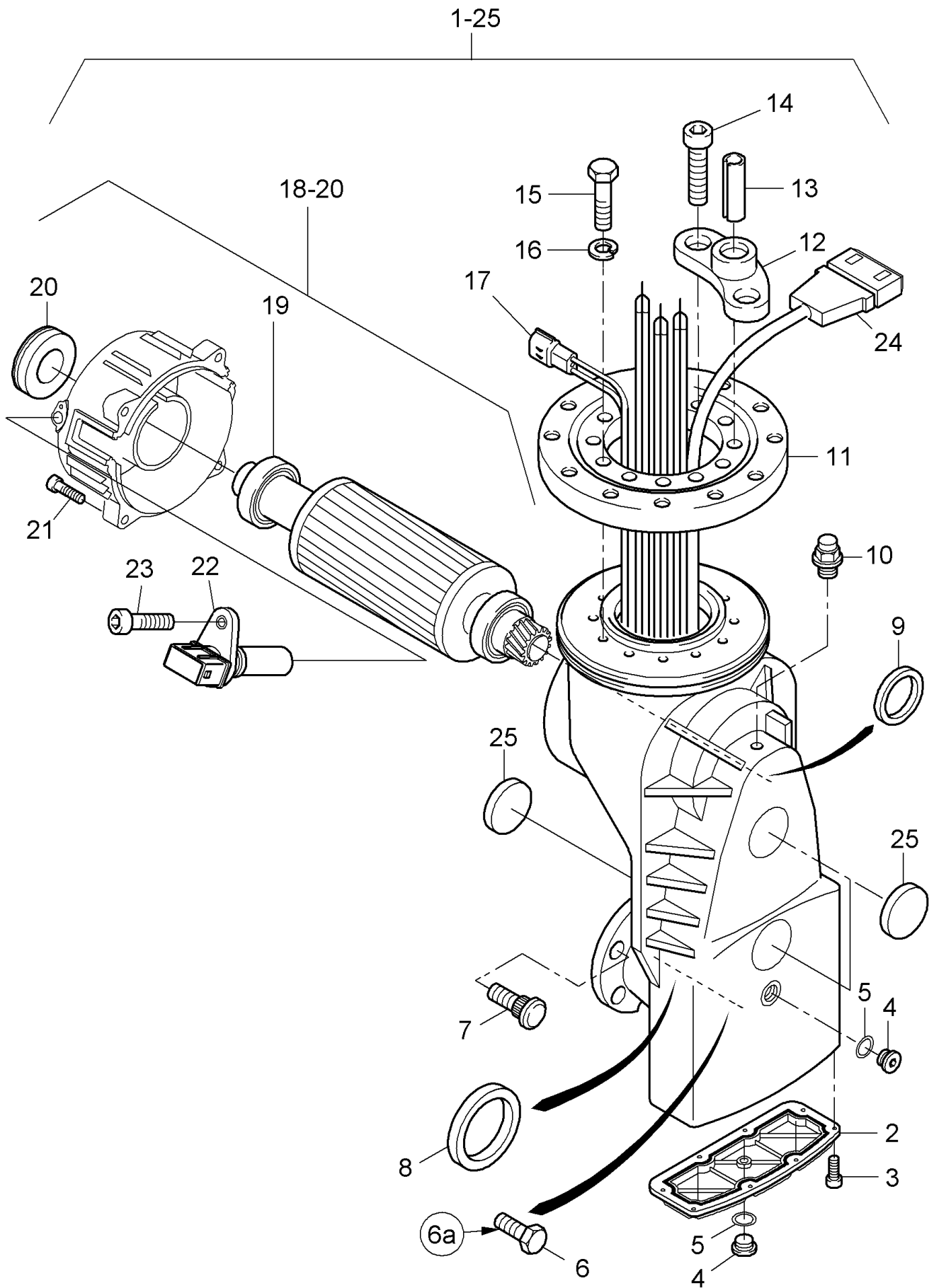


Fig	Part-No.	Qty.	Description	Remark	validity	trucks
1-25	55042600502	1	DRIVE WHEEL UNIT ASSY.			
1-25	55042609001	1	GEARBOX EX.ASSY.			
1-25	55042609101	1	GEARBOX UP.ASSY.			
2	0163669	1	COVER COMPL.	with O-ring		
3	0505274	8	SOCKET HEAD SCREW			
4	0163645	2	SCREW PLUG			
5	0163646	2	SEAL			
6	0163640	1	HEXAGON BOLT			
6a	0147420	0	ADHESIVE	LOCTITE 243		
7	0137162	5	BOLT			
8	0163641	1	SHAFT SEAL			
9	0163642	1	SHAFT SEAL			
10	0163644	1	BLEEDER			
11	0163670	1	RING MOUNT			
12	0391717	1	STOP			
13	0527143	1	PIN			
14	0505295	2	SOCKET HEAD SCREW			
15	0505374	9	HEXAGON BOLT			
16	0528867	9	LOCK EDGE WASHER			
17	0163663	1	REPAIR KIT	temperature sensor		
18-20	55043501501	1	ROTOR ASSY.	23 tooth		
19	0512799	1	GROOVED BALL BEARING			
20	0171177	1	COVER			
21	0505276	4	SOCKET-HEAD SCREW			
22	7917415637	1	SENSOR	transmitter impulse		
23	0505273	1	CHEESE-HEAD SCREW	DIN912 M6X12-8.8 A2A		
24	55043800300	1	WIRING HARNESS ASSY.			
25	0164805	3	COVER			

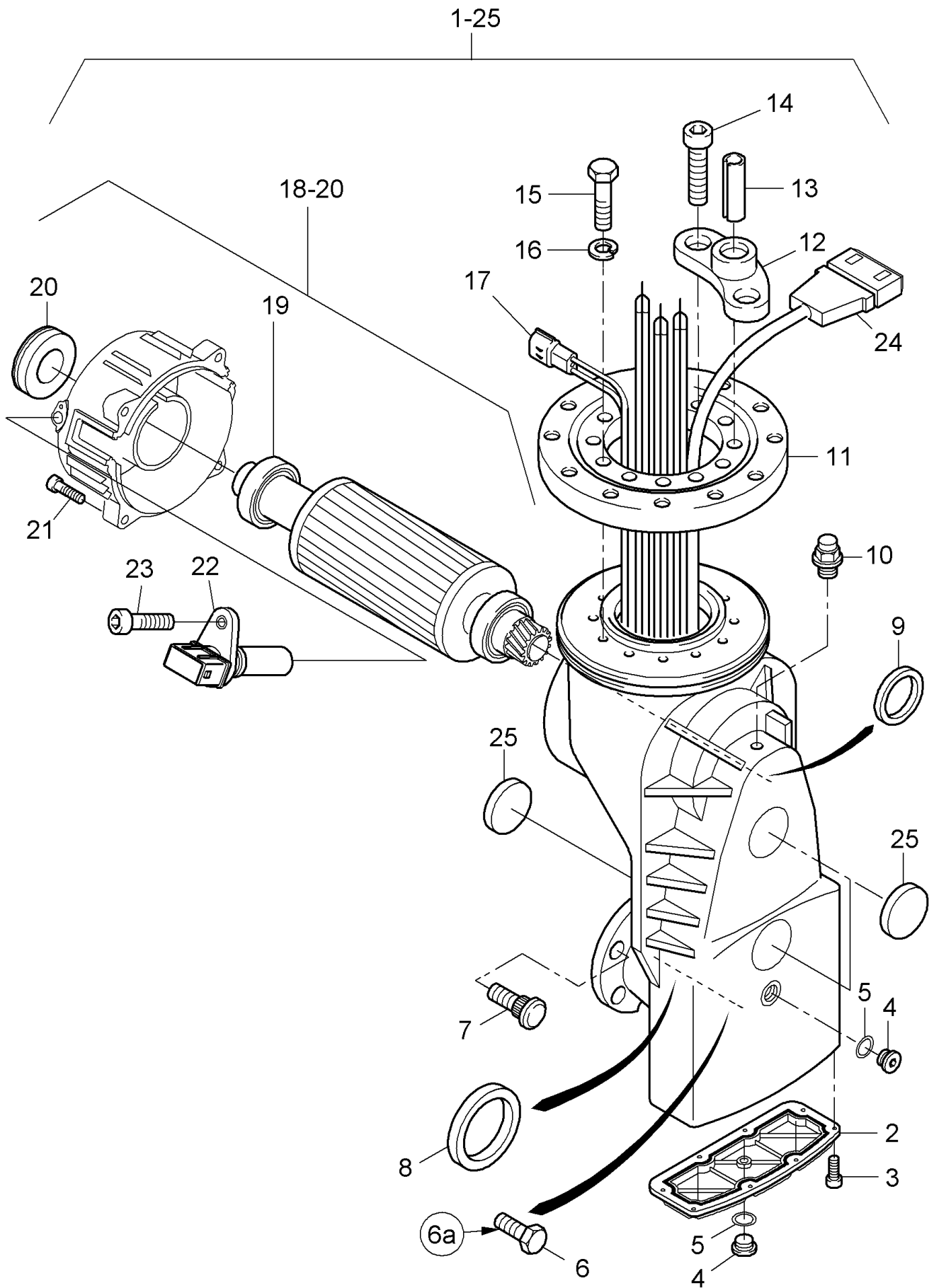


Fig	Part-No.	Qty.	Description	Remark	validity	trucks
1-25	55042600503	1	DRIVE WHEEL UNIT ASSY.			
2	0163669	1	COVER COMPL.	with O-ring		
3	0505274	8	SOCKET HEAD SCREW			
4	0163645	2	SCREW PLUG			
5	0163646	2	SEAL			
6	0163640	1	HEXAGON BOLT			
6a	0147420	0	ADHESIVE	LOCTITE 243		
7	0137162	5	BOLT			
8	0163641	1	SHAFT SEAL			
9	0163642	1	SHAFT SEAL			
10	0163644	1	BLEEDER			
11	0163670	1	RING MOUNT			
12	0391717	1	STOP			
13	0527143	1	PIN			
14	0505295	2	SOCKET HEAD SCREW			
15	0505374	9	HEXAGON BOLT			
16	0528867	9	LOCK EDGE WASHER			
17	0163663	1	REPAIR KIT	temperature sensor		
18-20	55043501501	1	ROTOR ASSY.	23 tooth		
19	0512799	1	GROOVED BALL BEARING			
20	0171177	1	COVER			
21	0505276	4	SOCKET-HEAD SCREW			
22	7917415637	1	SENSOR	transmitter impulse		
23	0505273	1	CHEESE-HEAD SCREW	DIN912 M6X12-8.8 A2A		
24	55043800300	1	WIRING HARNESS ASSY.			
25	0164805	3	COVER			