



ERSATZTEILLISTE

Spare Parts List
Catalogue de pièces détachées
Catalogo parti di ricambio
Catálogo de recambio

DIESEL GABELSTAPLER

Diesel Fork Truck
Chariot élévateur Diesel
Carrello elevatore Diesel
Carretilla elevadora Diesel

STILL
ELECTRONIC
DOCUMENTATION
SYSTEM

RX70-60
RX70-70
RX70-80
RX70-80/900

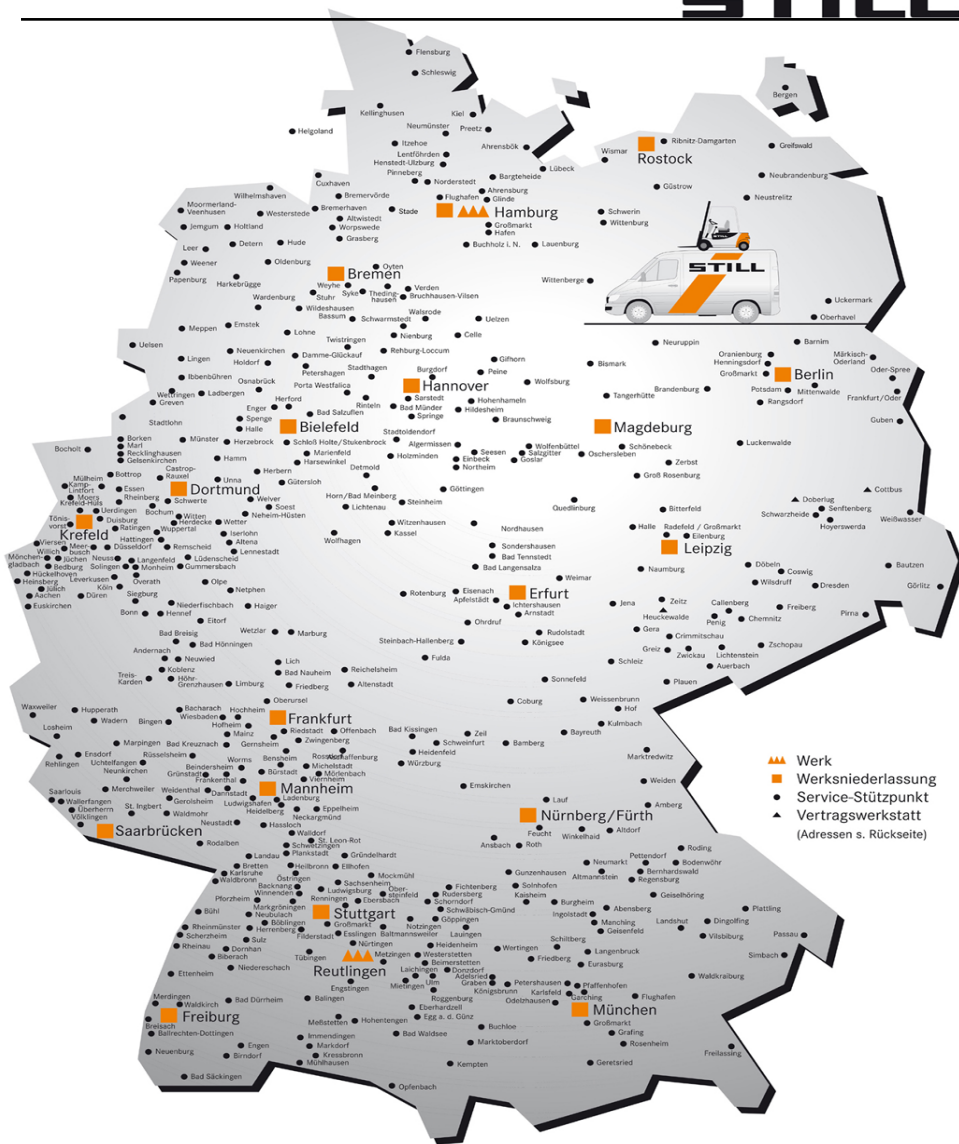


7341 7342 7343 7344

57348011400 - 02/2013

first in intralogistics

Fig	Part-No.	Qty.	Description	Remark	validity	trucks
▶			PRODUCT INFORMATION			
▶			ELECTRIC MOTOR			
▶			IC ENGINE			
▶			IC ENGINE AUXILIARY PARTS			
▶			IC ENGINE EXHAUST SYSTEM			
▶			MECHANICAL DRIVE AXLE			
▶			CHASSIS			
▶			OPERATOR'S COMPARTMENT			
▶			STEERING SYSTEM			
▶			WHEELS AND TYRES			
▶			BRAKING SYSTEM			
▶			CONTROLS			
▶			INDICATOR			
▶			ELECTRICS; ELECTRONICS			
▶			ELECTRONIC CONTROLS			
▶			HYDRAULICS			
▶			WORKING HYDRAULICS			
▶			LOAD LIFTING SYSTEM			
▶			HUBGERÜST			
▶			LOAD CARRIER			
▶			ATTACHMENT			
▶			SPECIAL EQUIPMENT NARROW AISLE TRUCKS			
▶			OTHER ACCESSORIES			



Mehr erreichen.

DEUTSCHLAND

IDENT-NR: 905146
ORDER-NO: 905146



STILL-Service international.

INTERNATIONAL

IDENT-NR: 157528
ORDER-NO: 157528

Fig	Part-No.	Qty.	Description	Remark	validity	trucks
▶			VEHICLE DOCUMENTS		01.08.2011->	

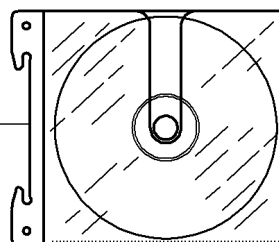
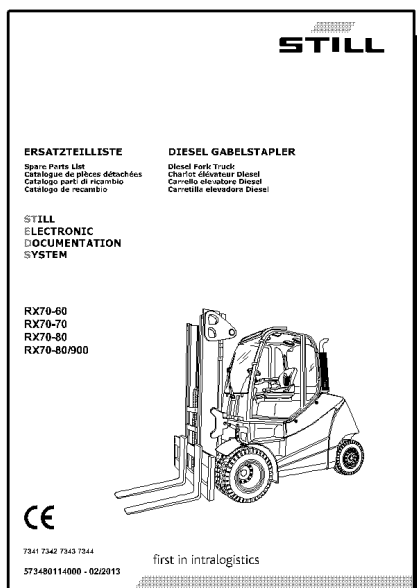
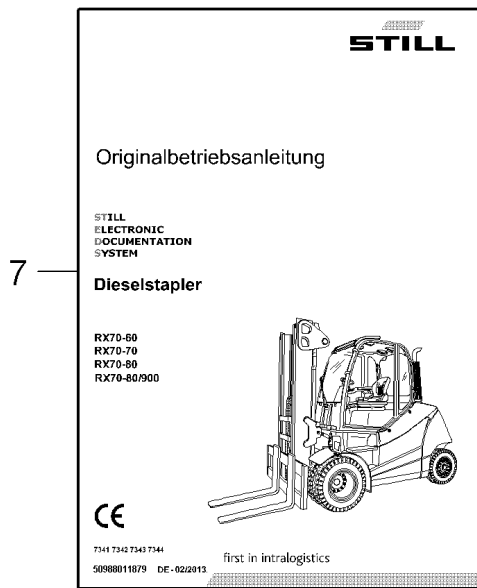
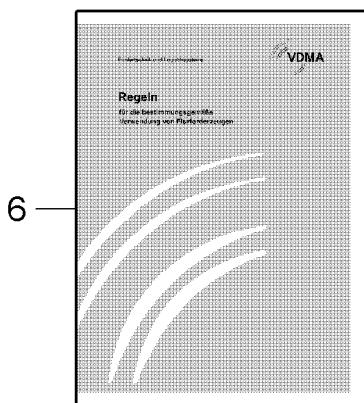
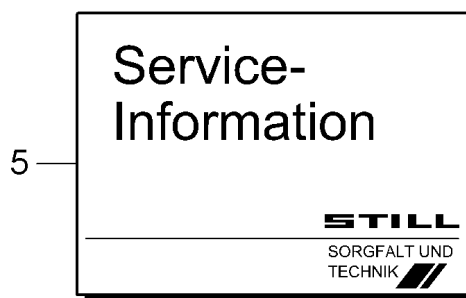
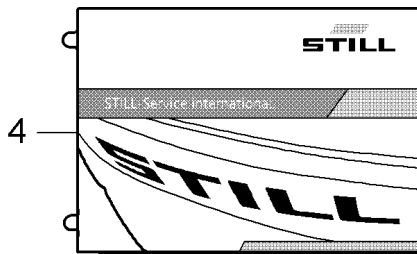
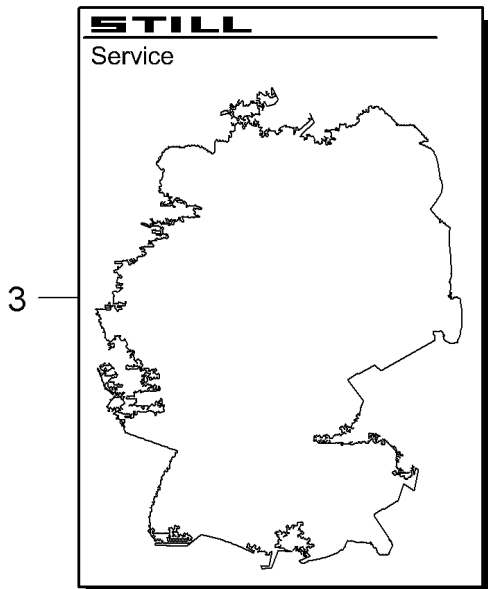
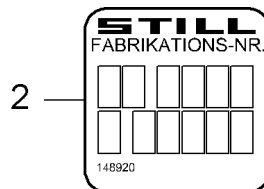
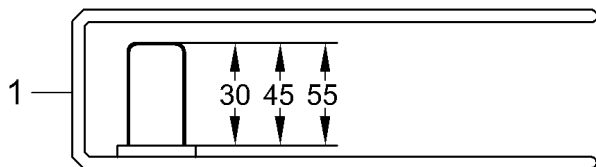


ABB: D

<http://www.still.de>

18417

Fig	Part-No.	Qty.	Description	Remark	validity	trucks
1	0146792	1	FILE	fill level = 30 mm		
1	0146793	1	FILE	fill level = 45 mm		
1	0146794	1	FILE	fill level = 55 mm		
2	0148920	1	STICKER			
3	0905146	1	OVERVIEW OF FROMS STILL SERVICE A4			
4	0157528	1	SERVICE BOOKLET			
5	0148837	1	SERVICE INFORMATION			
6	0170208	1	GUIDELINE	DE		
6	0170209	1	GUIDELINE	EN		
6	0170210	1	GUIDELINE	FR		
6	0170211	1	GUIDELINE	ES		
6	0170215	1	GUIDELINE	DA		
6	0170213	1	GUIDELINE	NL		
6	0170217	1	GUIDELINE	PT		
6	0170219	1	GUIDELINE	EL		
6	0170214	1	GUIDELINE	SV		
6	0170216	1	GUIDELINE	NO		
6	0170218	1	GUIDELINE	FI		
6	0170225	1	GUIDELINE	PL		
6	0170224	1	GUIDELINE	HU		
6	0170220	1	GUIDELINE	CZ		
6	0170226	1	GUIDELINE	SK		
6	0170227	1	GUIDELINE	SL		
6	0170221	1	GUIDELINE	ET		
6	0170223	1	GUIDELINE	LV		
6	0170222	1	GUIDELINE	LT		
6	0170228	1	GUIDELINE	TR		
6	0170229	1	GUIDELINE	RU		
6	0172987	1	GUIDELINE	BG		
6	0172988	1	GUIDELINE	RO		
7	50988011879	1	UM	DE INSTRUCTION MANUAL		
7	57348011800	1	UM	EN INSTRUCTION MANUAL		
7	57348011801	1	UM	FR INSTRUCTION MANUAL		
7	57348011802	1	UM	IT INSTRUCTION MANUAL		
7	57348011803	1	UM	ES INSTRUCTION MANUAL		
7	57348011804	1	UM	DA INSTRUCTION MANUAL		
7	57348011805	1	UM	NL INSTRUCTION MANUAL		

Fig	Part-No.	Qty.	Description	Remark	validity	trucks
7	57348011806	1	UM	PT INSTRUCTION MANUAL		
7	57348011807	1	UM	EL INSTRUCTION MANUAL		
7	57348011808	1	UM	BG INSTRUCTION MANUAL		
7	57348011809	1	UM	SV INSTRUCTION MANUAL		
7	57348011810	1	UM	NO INSTRUCTION MANUAL		
7	57348011811	1	UM	FI INSTRUCTION MANUAL		
7	57348011812	1	UM	RU INSTRUCTION MANUAL		
7	57348011813	1	UM	RO INSTRUCTION MANUAL		
7	57348011814	1	UM	PL INSTRUCTION MANUAL		
7	57348011815	1	UM	HU INSTRUCTION MANUAL		
7	57348011816	1	UM	CS INSTRUCTION MANUAL		
7	57348011817	1	UM	SK INSTRUCTION MANUAL		
7	57348011818	1	UM	SL INSTRUCTION MANUAL		
7	57348011819	1	UM	ET INSTRUCTION MANUAL		
7	57348011820	1	UM	LV INSTRUCTION MANUAL		
7	57348011821	1	UM	LT INSTRUCTION MANUAL		
7	57348011822	1	UM	IS INSTRUCTION MANUAL		
7	57348011823	1	UM	TR INSTRUCTION MANUAL		
8	57348011400	1	SPL	SPARE PARTS LIST		

Fig	Part-No.	Qty.	Description	Remark	validity	trucks
▶			GENERATOR			
▶			TRACTION MOTOR			

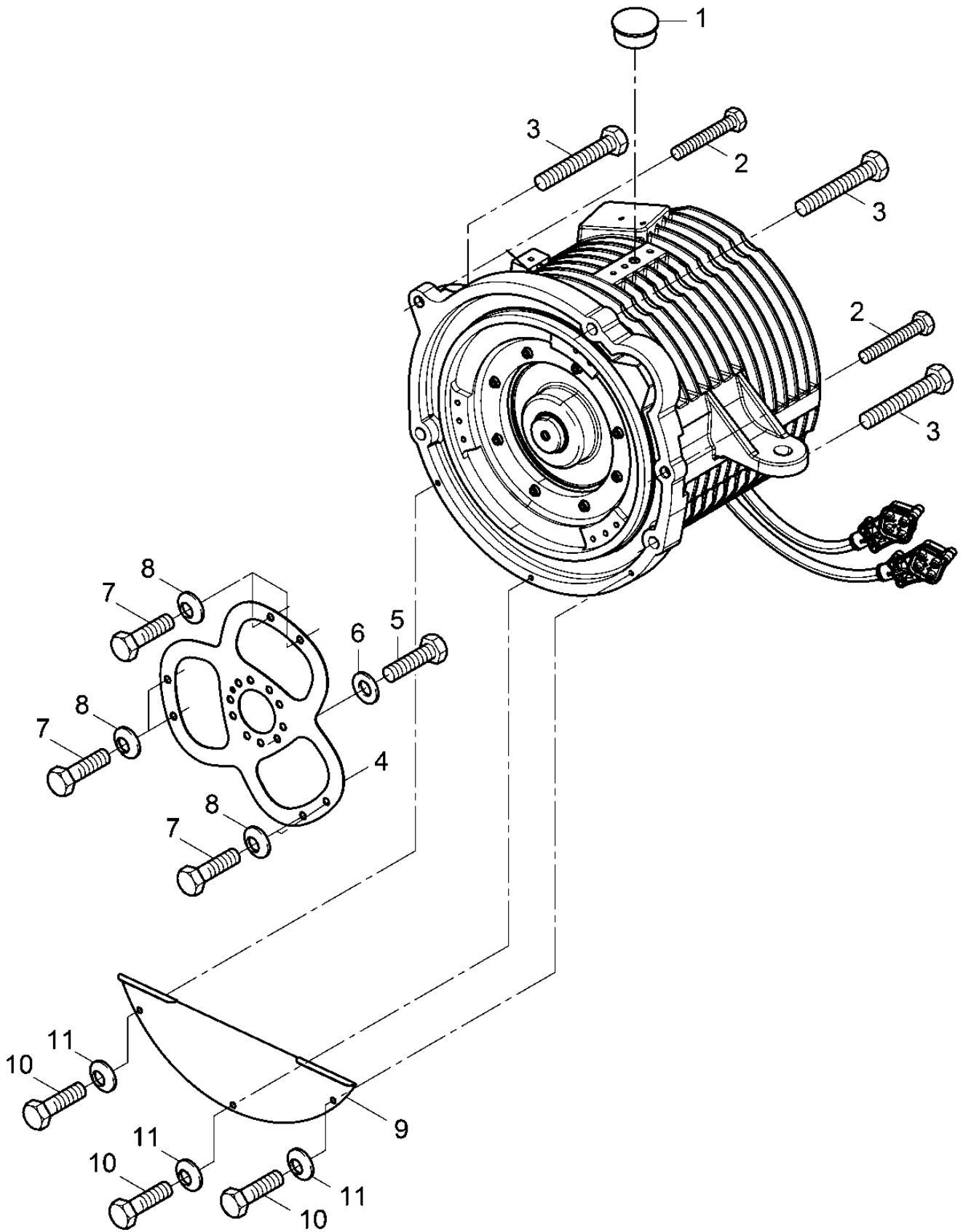
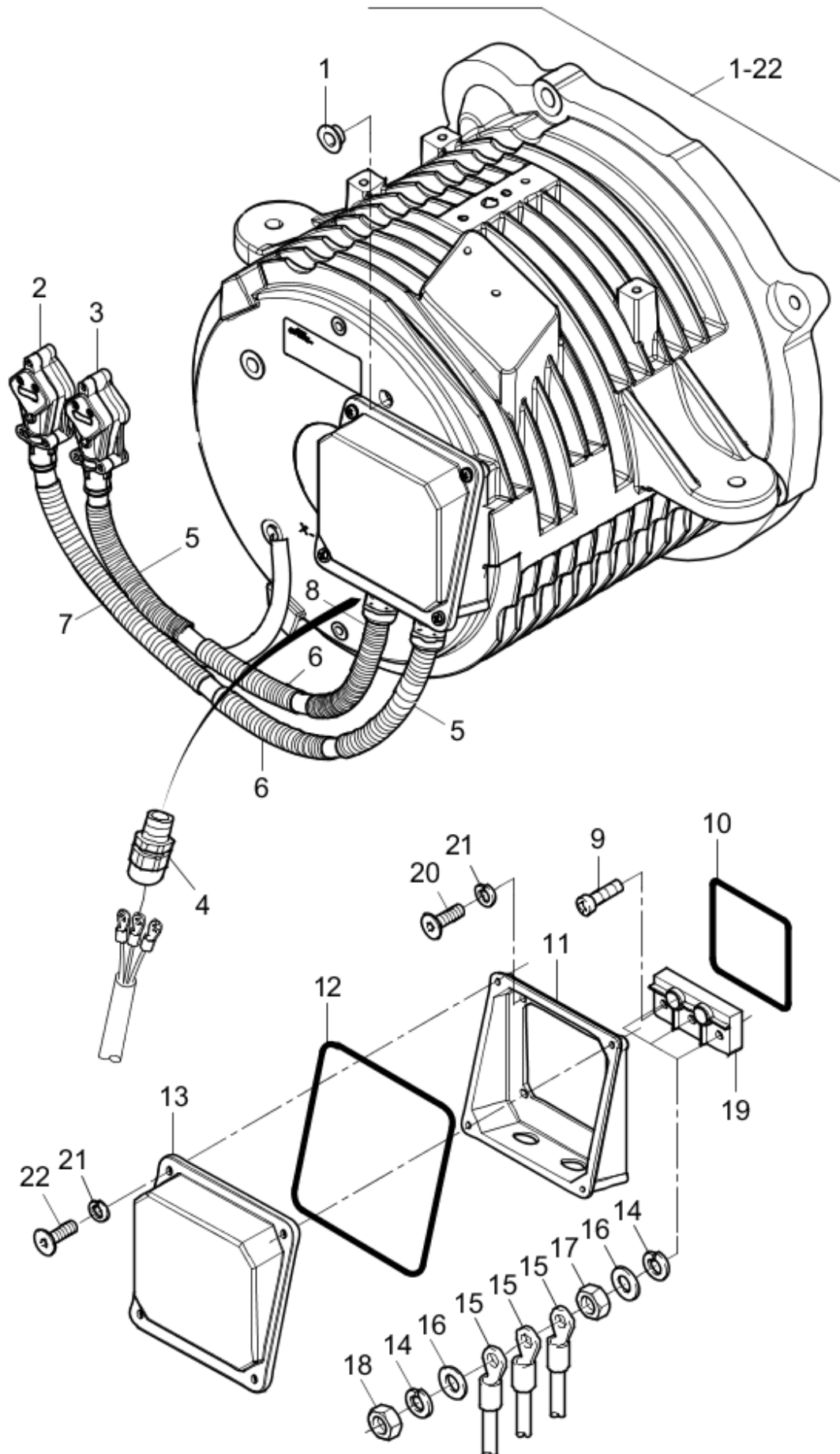


Fig	Part-No.	Qty.	Description	Remark	validity	trucks
			GENERATOR			
1	0511638	1	PLUG			
2	9008385314	2	HEXAGON HEAD SCREW			
3	9008385422	3	HEXAGON HEAD SCREW			
4	57342322103	1	CATCH PLATE			
5	9011395168	10	HEXAGON HEAD SCREW			
6	0740168	10	WASHER			
7	9008341236	6	HEXAGON HEAD SCREW			
8	0519694	6	WASHER	DIN6796 10-FST MECH.VERZ.		
9	57342140200	1	COVER SHEET			
10	0501031	3	HEXAGON HEAD SCREW			
11	0520152	3	DISC TIGHTENING			



20892

Fig	Part-No.	Qty.	Description	Remark	validity	trucks
1-22	57343503701	1	GENERATOR ASSY.			
1	0009513936	4	SEALING PLUG			
2	57343810310	1	WIRING HARNESS			
3	57343810309	1	WIRING HARNESS			
4	0532235	2	CABLE GLAND			
5	0526887	2	CORRUGATED HOSE	length: 370 mm		
6	0526887	2	CORRUGATED HOSE	length: 210 mm		
7	0526887	1	CORRUGATED HOSE	length: 740 mm		
8	0526887	1	CORRUGATED HOSE	length: 280 mm		
9	4401580	2	SOCKET HEAD SCREW			
10	0009619095	2	SEAL			
11	7913595003	1	TERMINAL BLOC			
12	0009619096	1	SEAL			
13	0009769010	1	COVER			
14	9857696	6	WASHER			
15	0503003	3	CABLE SHOE			
16	9857697	6	WASHER			
17	9214335110	3	NUT			
18	0502231	3	NUT			
19	0009314113	1	CLAMPING PIECE			
20	0142800	4	OVAL HEAD SCREW			
21	0164657	8	LOCKWASHER			
22	0529412	4	OVAL HEAD SCREW			

Fig	Part-No.	Qty.	Description	Remark	validity	trucks
▶			MOTOR	left	21.02.2013- >14.04.2013	
▶			MOTOR	right	21.02.2013- >14.04.2013	
			DRIVE MOTOR	left	15.04.2013- >15.08.2013	
			DRIVE MOTOR	right	15.04.2013- >15.08.2013	
			DRIVE MOTOR	left	16.08.2013->	
			DRIVE MOTOR	right	16.08.2013->	

Fig	Part-No.	Qty.	Description	Remark	validity	trucks
1-29	28563500504	1	TRACTION MOTOR ASSY.			
1	28563501504	1	ROTOR ASSY.			
2	28563452201	1	TRANSMITTER			
3	9503095698	1	GROOVED BALL BEARING			
4	0170741	1	SPRING WASHER			
5	0009631320	1	O-RING			
6	28562511507	1	BEARING FLANGE			
7	8004069	8	SOCKET HEAD SCREW			
8	7917415637	1	SENSOR	transmitter impulse		
9	4492500	1	SOCKET HEAD SCREW			
10	0502379	1	LOCKING RING			
11	9503097595	1	GROOVED BALL BEARING			
12	0502344	1	LOCKING RING			
13	0009631300	1	O-RING			
14	28562511505	1	BEARING FLANGE			
15	0009511990	1	PIPE CONNECTION			
16	0009513936	1	SEALING PLUG			
17	0172434	1	SEAL			
18	0009182560	1	COVER			
19	9087101178	4	BUTTON HEAD SCREW			
20	0009380235	1	LABEL			
21	7911010536	1	CABLE GLAND			
22	0009750119	1	TERMINAL STRIP			
23	4492500	3	SOCKET HEAD SCREW			
24	0502080	3	WASHER			
25	0510776	3	CABLE SHOE			
26	8006261	3	SPRING LOCK WASHER			
27	8004977	3	HEXAGON NUT			
28	57313810315	1	HARNESS			
29	0526888	1	CORRUGATED HOSE			

MOTOR
right

RX70 6,0-8,0t

Fig	Part-No.	Qty.	Description	Remark	validity	trucks
1-29	28563500505	1	TRACTION MOTOR ASSY.			
1	28563501504	1	ROTOR ASSY.			
2	28563452201	1	TRANSMITTER			
3	9503095698	1	GROOVED BALL BEARING			
4	0170741	1	SPRING WASHER			
5	0009631320	1	O-RING			
6	28562511507	1	BEARING FLANGE			
7	8004069	8	SOCKET HEAD SCREW			
8	7917415637	1	SENSOR	transmitter impulse		
9	4492500	1	SOCKET HEAD SCREW			
10	0502379	1	LOCKING RING			
11	9503097595	1	GROOVED BALL BEARING			
12	0502344	1	LOCKING RING			
13	0009631300	1	O-RING			
14	28562511505	1	BEARING FLANGE			
15	0009511990	1	PIPE CONNECTION			
16	0009513936	1	SEALING PLUG			
17	0172434	1	SEAL			
18	0009182560	1	COVER			
19	9087101178	4	BUTTON HEAD SCREW			
20	0009380235	1	LABEL			
21	7911010536	1	CABLE GLAND			
22	0009750119	1	TERMINAL STRIP			
23	4492500	3	SOCKET HEAD SCREW			
24	0502080	3	WASHER			
25	0510776	3	CABLE SHOE			
26	8006261	3	SPRING LOCK WASHER			
27	8004977	3	HEXAGON NUT			
28	57313810315	1	HARNESS			
29	0526888	1	CORRUGATED HOSE			