



## ERSATZTEILLISTE

Spare Parts List  
Catalogue de pièces détachées  
Catalogo parti di ricambio  
Catálogo de recambio

## DIESEL GABELSTAPLER

Diesel Fork Truck  
Chariot élévateur Diesel  
Carrello elevatore Diesel  
Carretilla elevadora Diesel

**STILL**  
**ELECTRONIC**  
**DOCUMENTATION**  
**SYSTEM**

**RX70-40**  
**RX70-45**  
**RX70-50**  
**RX70-50/600**

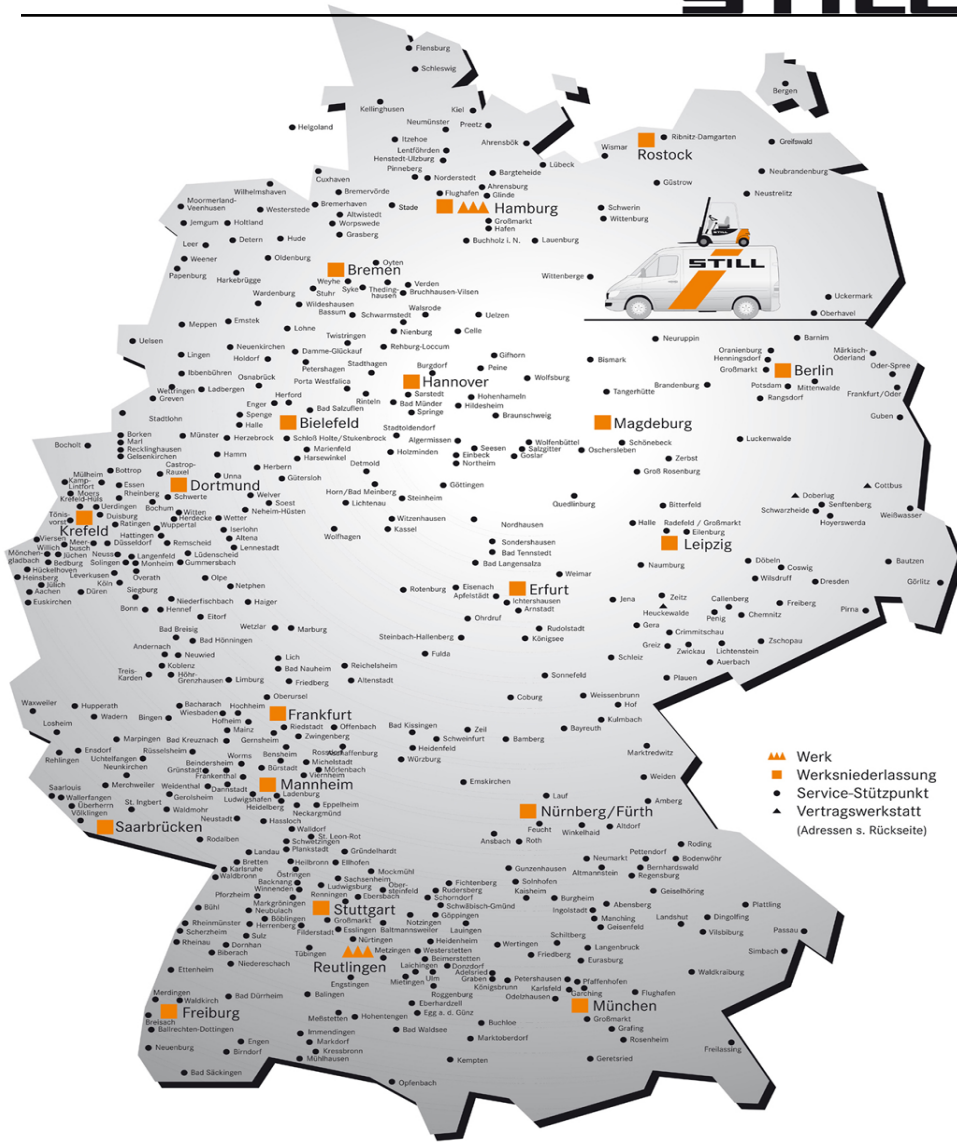


7331 7332 7333 7334

57338011400 - 12/2012

first in intralogistics

Fig	Part-No.	Qty.	Description	Remark	validity	trucks
▶			PRODUCT INFORMATION			
▶			ELECTRIC MOTOR			
▶			INTERNAL COMBUSTION ENGINE			
▶			IC ENGINE AUXILIARY PARTS			
▶			IC ENGINE EXHAUST SYSTEM			
▶			MECHANICAL DRIVE AXLE			
▶			CHASSIS			
▶			DRIVERS PLACE			
▶			STEERING SYSTEM			
▶			WHEELS AND TYRES			
▶			BRAKING SYSTEM			
▶			OPERATING ELEMENTS			
▶			DISPLAY ELEMENTS			
▶			ELECTRICS; ELECTRONICS			
▶			ELECTRONIC CONTROLS			
▶			HYDRAULICS			
▶			WORKING HYDRAULICS			
▶			LOAD LIFTING SYSTEM			
▶			UPRIGHT			
▶			LOAD SUPPORT			
▶			ATTACHMENT			
▶			SPECIAL EQUIPMENT NARROW AISLE TRUCKS			
▶			OTHER ACCESSORIES			



Mehr erreichen.

DEUTSCHLAND

IDENT-NR: 905146  
ORDER-NO: 905146



STILL-Service international.

INTERNATIONAL

IDENT-NR: 157528  
ORDER-NO: 157528

---

Fig	Part-No.	Qty.	Description	Remark	validity	trucks
			VEHICLE DOCUMENTS			

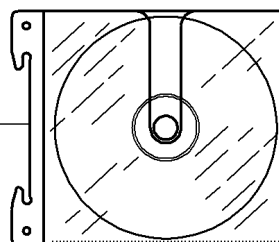
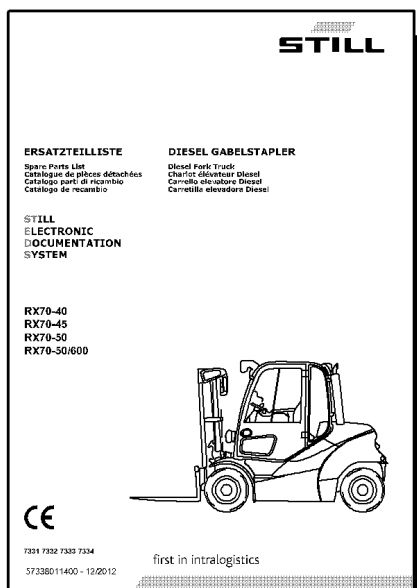
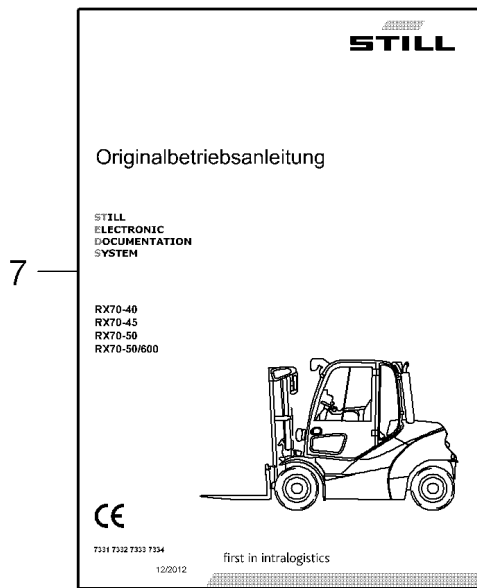
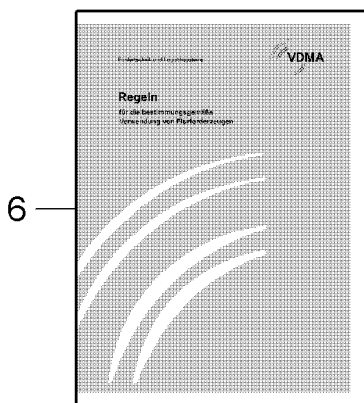
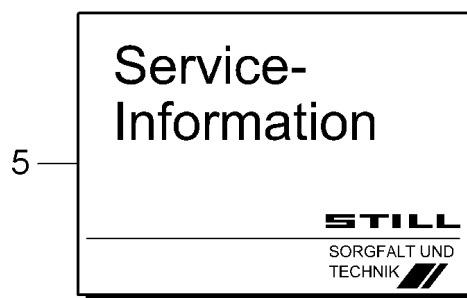
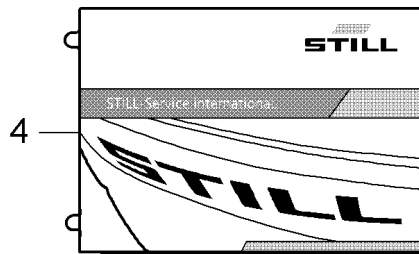
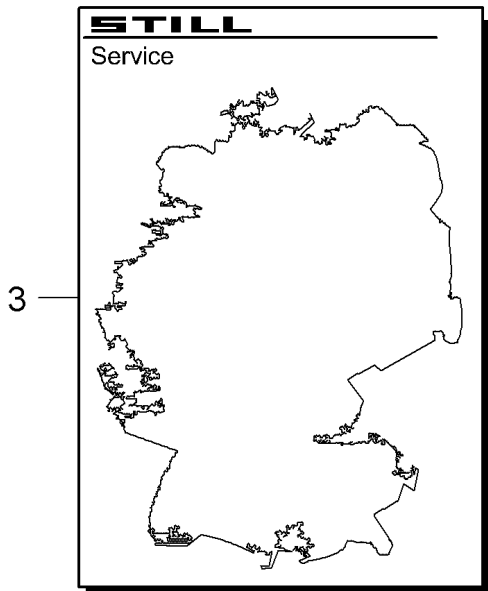
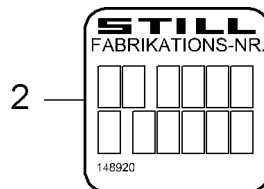
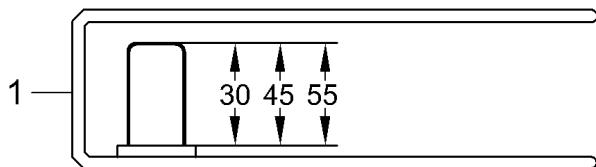


ABB: D

<http://www.still.de>

18405

Fig	Part-No.	Qty.	Description	Remark	validity	trucks
1	0146792	1	FILE	fill level = 30 mm		
1	0146793	1	FILE	fill level = 45 mm		
1	0146794	1	FILE	fill level = 55 mm		
2	0148920	1	STICKER			
3	0905146	1	OVERVIEW OF FROMS STILL SERVICE A4			
4	0157528	1	SERVICE BOOKLET			
5	0148837	1	SERVICE INFORMATION			
6	0170208	1	GUIDELINE	DE		
6	0170209	1	GUIDELINE	EN		
6	0170210	1	GUIDELINE	FR		
6	0170211	1	GUIDELINE	ES		
6	0170215	1	GUIDELINE	DA		
6	0170213	1	GUIDELINE	NL		
6	0170217	1	GUIDELINE	PT		
6	0170219	1	GUIDELINE	EL		
6	0170214	1	GUIDELINE	SV		
6	0170216	1	GUIDELINE	NO		
6	0170218	1	GUIDELINE	FI		
6	0170225	1	GUIDELINE	PL		
6	0170224	1	GUIDELINE	HU		
6	0170220	1	GUIDELINE	CZ		
6	0170226	1	GUIDELINE	SK		
6	0170227	1	GUIDELINE	SL		
6	0170221	1	GUIDELINE	ET		
6	0170223	1	GUIDELINE	LV		
6	0170222	1	GUIDELINE	LT		
6	0170228	1	GUIDELINE	TR		
6	0170229	1	GUIDELINE	RU		
6	0172987	1	GUIDELINE	BG		
6	0172988	1	GUIDELINE	RO		
7	57348011824	1	UM	DE		
7	57348011825	1	UM	EN		
7	57348011826	1	UM	FR		
7	57348011827	1	UM	IT		
7	57348011828	1	UM	ES		
7	57348011829	1	UM	NL		
7	57348011830	1	UM	DA		
7	57348011831	1	UM	PT		
7	57348011832	1	UM	EL		
7	57348011833	1	UM	BG		
7	57348011834	1	UM	SV		
7	57348011835	1	UM	NO		



Fig	Part-No.	Qty.	Description	Remark	validity	trucks
7	57348011836	1	UM	FI		
7	57348011837	1	UM	RU		
7	57348011838	1	UM	RO		
7	57348011839	1	UM	PL		
7	57348011840	1	UM	HU		
7	57348011841	1	UM	CS		
7	57348011842	1	UM	SK		
7	57348011843	1	UM	SL		
7	57348011844	1	UM	ET		
7	57348011845	1	UM	LV		
7	57348011846	1	UM	LT		
7	57348011847	1	UM	IS		
7	57348011848	1	UM	TR		
8	57338011400	1	SPL	SPARE PARTS LIST		





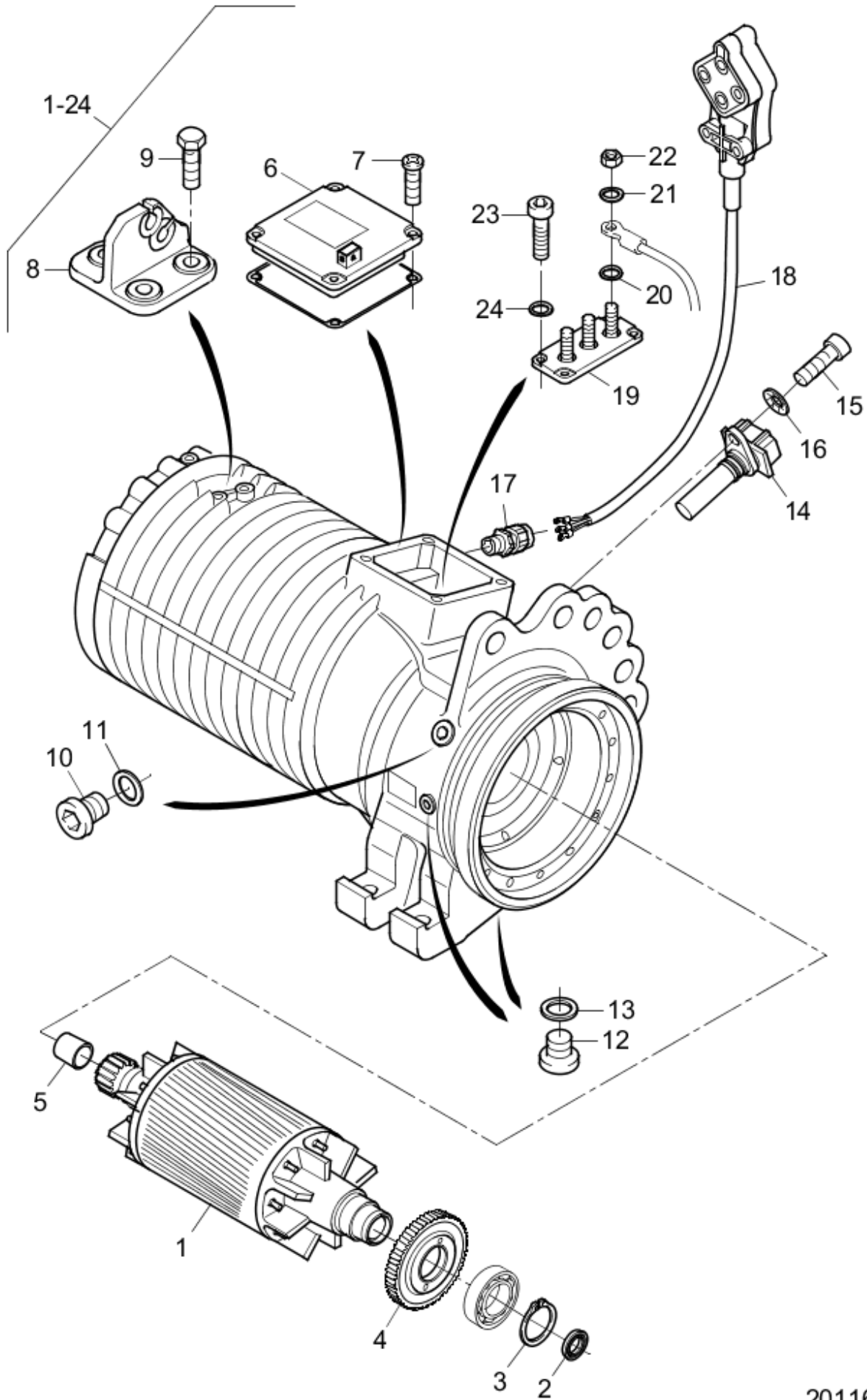
---

Fig	Part-No.	Qty.	Description	Remark	validity	trucks
▶			TRACTION MOTOR		->15.11.2012	
▶			TRACTION MOTOR		16.11.2012->	
▶			GENERATOR			



---

Fig	Part-No.	Qty.	Description	Remark	validity	trucks
▶		1	MOTOR			



20116

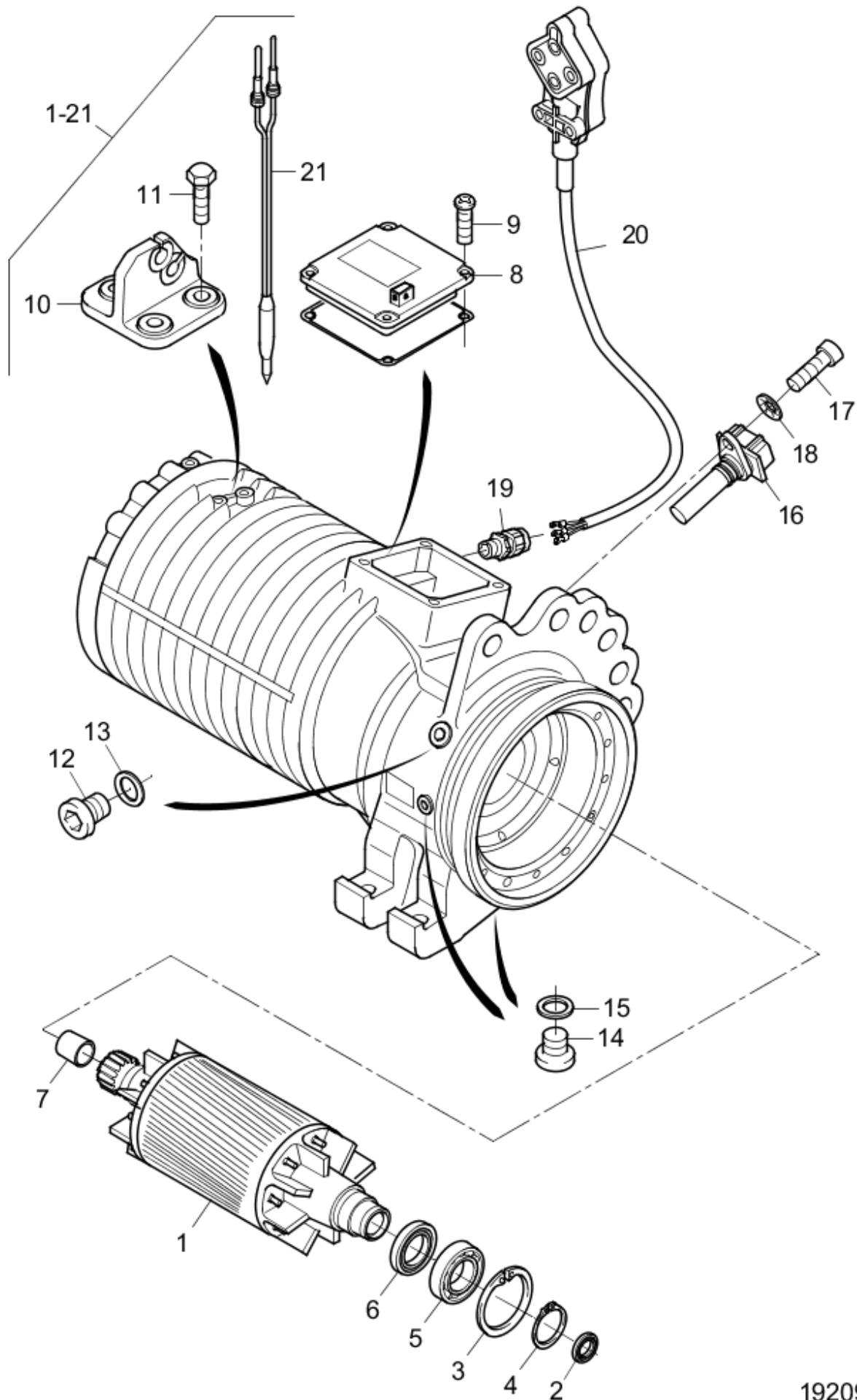
Fig	Part-No.	Qty.	Description	Remark	validity	trucks
1-24	0009761369	1	TRACTION MOTOR			
1	57163570400	1	ROTOR			
2	0172438	1	RADIAL SEAL			
3	0502344	1	LOCKING RING			
4	28563452201	1	TRANSMITTER			
5	0172437	1	SLEEVE BEARING			
6	57333573700	1	TERMINAL BLOC			
7	0526189	4	OVAL HEAD SCREW			
8	0172441	1	SUPPORT			
9	0521954	3	HEXAGON BOLT			
10	0517538	1	SCREW PLUG			
11	0516118	1	SEAL RING			
12	0513185	2	SCREW PLUG			
13	0172488	2	SEAL			
14	7917415637	1	SENSOR	transmitter impulse		
15	0171449	1	CHEESE-HEAD SCREW	secure with Loctite 243		
16	0500939	1	DETENT RING			
17	7911010536	1	CABLE GLAND			
18	50703800500	1	CABLE ASSY.			
19	0009750119	1	TERMINAL STRIP			
20	0502080	3	WASHER			
21	0500939	3	DETENT RING			
22	0502228	3	HEXAGON NUT	ISO 4032 M6-8-A2C		
23	0502170	2	SOCKET HEAD SCREW			
24	0500939	2	DETENT RING			



---

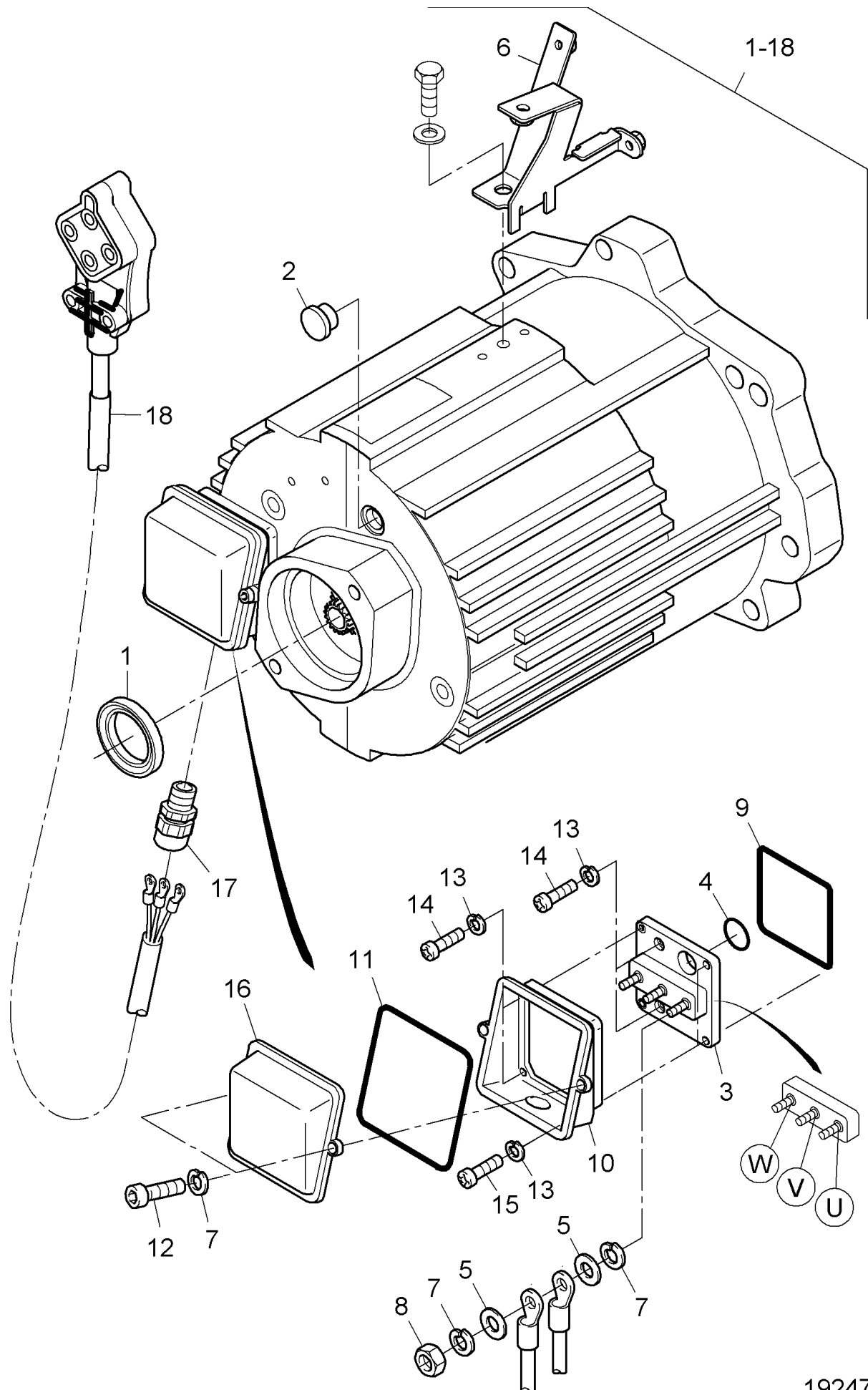
Fig	Part-No.	Qty.	Description	Remark	validity	trucks
▶		1	TRACTION MOTOR MEZ			





19209

Fig	Part-No.	Qty.	Description	Remark	validity	trucks
1-21	0009761383	1	TRACTION MOTOR			
1	57163570400	1	ROTOR			
2	0172438	1	RADIAL SEAL			
3	0502381	1	LOCK RING			
4	0502344	1	LOCKING RING			
5	0172439	1	GROOVED BALL BEARING			
6	0172435	1	SHAFT SEAL			
7	0172437	1	SLEEVE BEARING			
8	57333573700	1	TERMINAL BLOC			
9	0526189	4	OVAL HEAD SCREW			
10	0172441	1	SUPPORT			
11	0521954	3	HEXAGON BOLT			
12	0517538	1	SCREW PLUG			
13	0516118	1	SEAL RING			
14	0513185	2	SCREW PLUG			
15	0172488	2	SEAL			
16	7917415637	1	SENSOR	transmitter impulse		
17	0171449	1	CHEESE-HEAD SCREW	secure with Loctite 243		
18	0500939	1	DETENT RING			
19	7911010536	1	CABLE GLAND			
20	0733735	1	CABLE TREE	From traction motor to converter		
21	0172423	1	CABLE TREE	Reparatursatz für Temperatursensor		



19247

Fig	Part-No.	Qty.	Description	Remark	validity	trucks
1-18	57333503701	1	GENERATOR ASSY.			
1	0522294	1	SHAFT SEAL RING			
2	0158481	4	PLUG			
3	0164655	1	CLAMPING PIECE			
4	0500229	1	O-RING			
5	0502080	6	WASHER			
6	57334407700	1	SUPPORT ASSY.		->19.02.2015	
6	57334407701	1	SUPPORT ASSY.		20.02.2015->	
7	0164657	5	LOCKWASHER			
8	0502228	3	HEXAGON NUT	ISO 4032 M6-8-A2C		
9	0158477	1	SEAL			
10	0172426	1	TERMINAL BOX			
11	0161345	1	SEAL			
12	0502170	2	SOCKET HEAD SCREW			
13	0163302	4	LOCKWASHER			
14	0525423	4	OVAL HEAD SCREW			
15	0523695	2	BUTTON HEAD SCREW			
16	0161344	1	COVER, COMPL.			
17	7911010536	1	CABLE GLAND		->23.04.2015	
17	0532235	1	CABLE GLAND		24.04.2015->	
18	57333810308	1	WIRING HARNESS			