

Still Steds Diesel Fork Truck Rc40 25 Rc40 30 Parts Manual

Full download: <http://manualplace.com/download/still-steds-diesel-fork-truck-rc40-25-rc40-30-parts-manual/>

Fig	Part-No.	Qty.	Description	Remark	validity	trucks
▶			PRODUCT INFORMATION			
▶			IC ENGINE			
▶			IC ENGINE AUXILIARY PARTS			
▶			IC ENGINE EXHAUST SYSTEM			
▶			AXLES			
▶			CHASSIS			
▶			DRIVER			
▶			STEERING SYSTEM			
▶			WHEELS AND TYRES			
▶			BRAKE SYSTEM			
▶			CONTROLS			
▶			ELECTRICS; ELECTRONICS			
▶			HYDRAULICS			
▶			OPERATING HYDRAULIC			
▶			LOAD LIFT SYSTEM	up to serial number F540***		
▶			MAST	from serial number 5140***		
▶			LOAD SUPPORT			
▶			ATTACHMENTS	up to serial number F540***		
▶			ATTACHMENTS	from serial number 5140***		
▶			SPECIAL EQUIPMENT			
▶			OTHER ACCESSORIES			

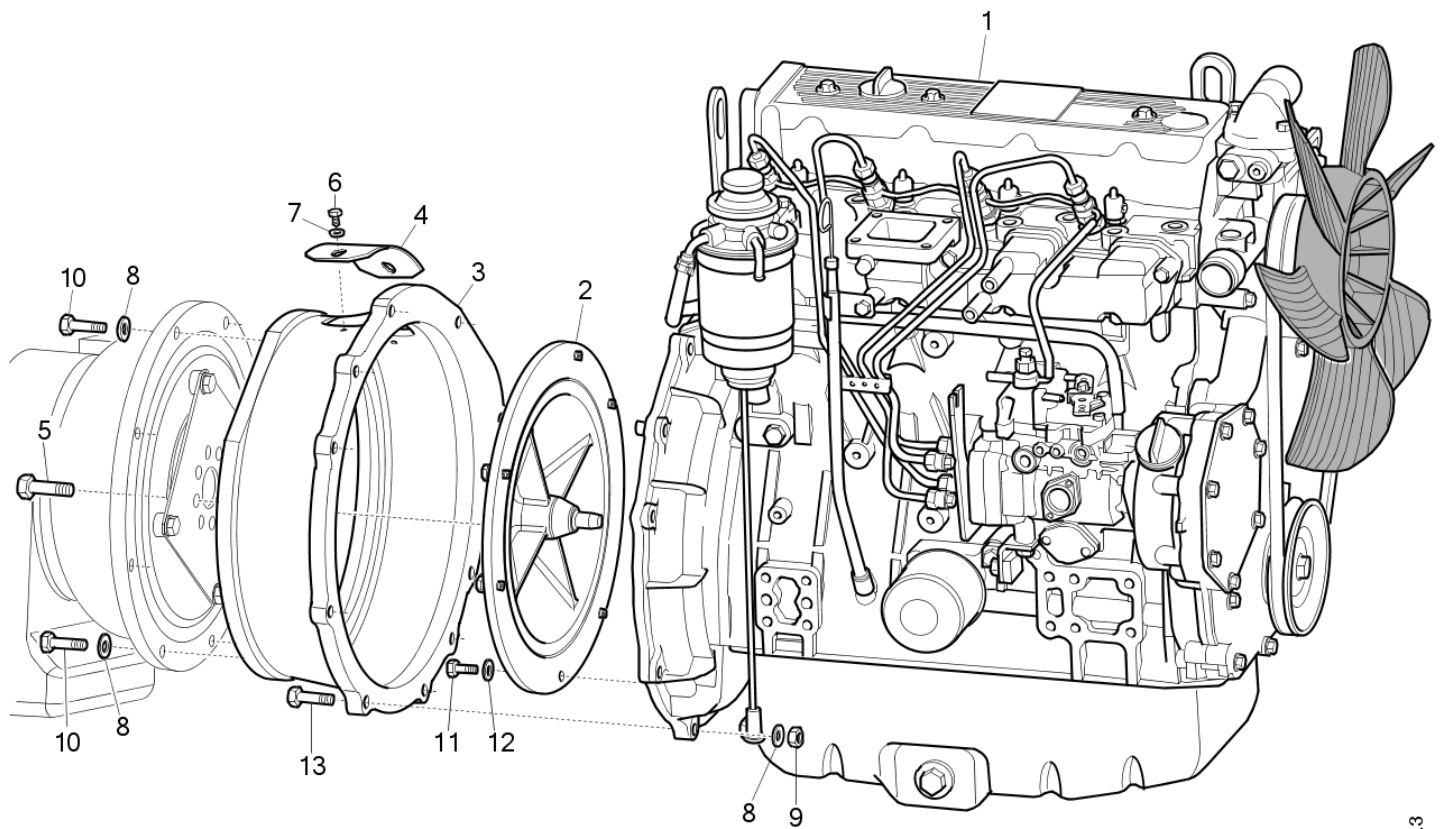
Fig	Part-No.	Qty.	Description	Remark	validity	trucks
			VEHICLE DOCUMENTS			

Fig	Part-No.	Qty.	Description	Remark	validity	trucks
1	0146792	1	FILE	fill level = 30 mm 30 mm		
1	0146793	1	FILE	fill level = 45 mm 45 mm		
1	0146794	1	FILE	fill level = 55 mm 55 mm		
2	0148920	1	STICKER			
3	0905146	1	OVERVIEW OF FROMS STILL SERVICE A4			
4	0157528	1	SERVICE BOOKLET			
5	0148837	1	SERVICE INFORMATION			
6	0170208	1	GUIDELINE	DE		
6	0170209	1	GUIDELINE	EN		
6	0170210	1	GUIDELINE	FR		
6	0170211	1	GUIDELINE	ES		
6	0170215	1	GUIDELINE	DA		
6	0170213	1	GUIDELINE	NL		
6	0170217	1	GUIDELINE	PT		
6	0170219	1	GUIDELINE	EL		
6	0170214	1	GUIDELINE	SV		
6	0170216	1	GUIDELINE	NO		
6	0170218	1	GUIDELINE	FI		
6	0170225	1	GUIDELINE	PL		
6	0170224	1	GUIDELINE	HU		
6	0170220	1	GUIDELINE	CZ		
6	0170226	1	GUIDELINE	SK		
6	0170227	1	GUIDELINE	SL		
6	0170221	1	GUIDELINE	ET		
6	0170223	1	GUIDELINE	LV		
6	0170222	1	GUIDELINE	LT		
6	0170228	1	GUIDELINE	TR		
6	0170229	1	GUIDELINE	RU		
6	0172987	1	GUIDELINE	BG		
6	0172988	1	GUIDELINE	RO		
7	50988011829	1	UM	DE		
7	50988011830	1	UM	EN		
7	50988011831	1	UM	FR		
7	50988011832	1	UM	IT		
7	50988011833	1	UM	ES		
7	50988011834	1	UM	NL		
7	50988011835	1	UM	DA		
7	50988011836	1	UM	PT		
7	50988011837	1	UM	EL		
7	50988011838	1	UM	BG		

Fig	Part-No.	Qty.	Description	Remark	validity	trucks
7	50988011839	1	UM	SV		
7	50988011840	1	UM	NO		
7	50988011841	1	UM	FI		
7	50988011842	1	UM	RU		
7	50988011843	1	UM	RO		
7	50988011844	1	UM	PL		
7	50988011845	1	UM	HU		
7	50988011846	1	UM	CS		
7	50988011847	1	UM	SK		
7	50988011848	1	UM	SL		
7	50988011849	1	UM	ET		
7	50988011850	1	UM	LV		
7	50988011851	1	UM	LT		
7	50988011852	1	UM	IS		
7	50988011853	1	UM	TR		
8	50988011440	1	SPL	SPARE PARTS LIST		

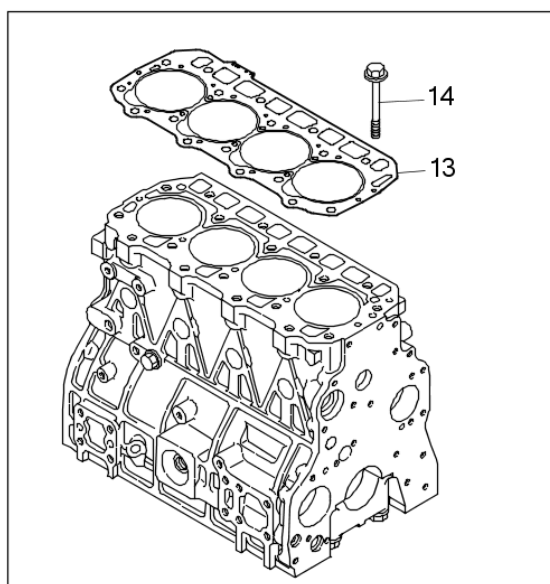
Fig	Part-No.	Qty.	Description	Remark	validity	trucks
▶			DIESEL ENGINE			

Fig	Part-No.	Qty.	Description	Remark	validity	trucks
▶			DIESEL ENGINE			
▶			CRANKCASE			
▶			CASES AND COVERS			
▶			COOLING			
▶			INJECTION PUMP	support		
▶			INJECTION SYSTEM PIPES			
▶			ALTERNATOR SUPPORT			
▶			STARTER MOTOR			
▶			ENGINE SUSPENSIONS	Diesel		
▶			SEAL KIT			
▶			OIL SUMP			
▶			LUBRICATION			
▶			CYLINDER HEAD (VALVES)			



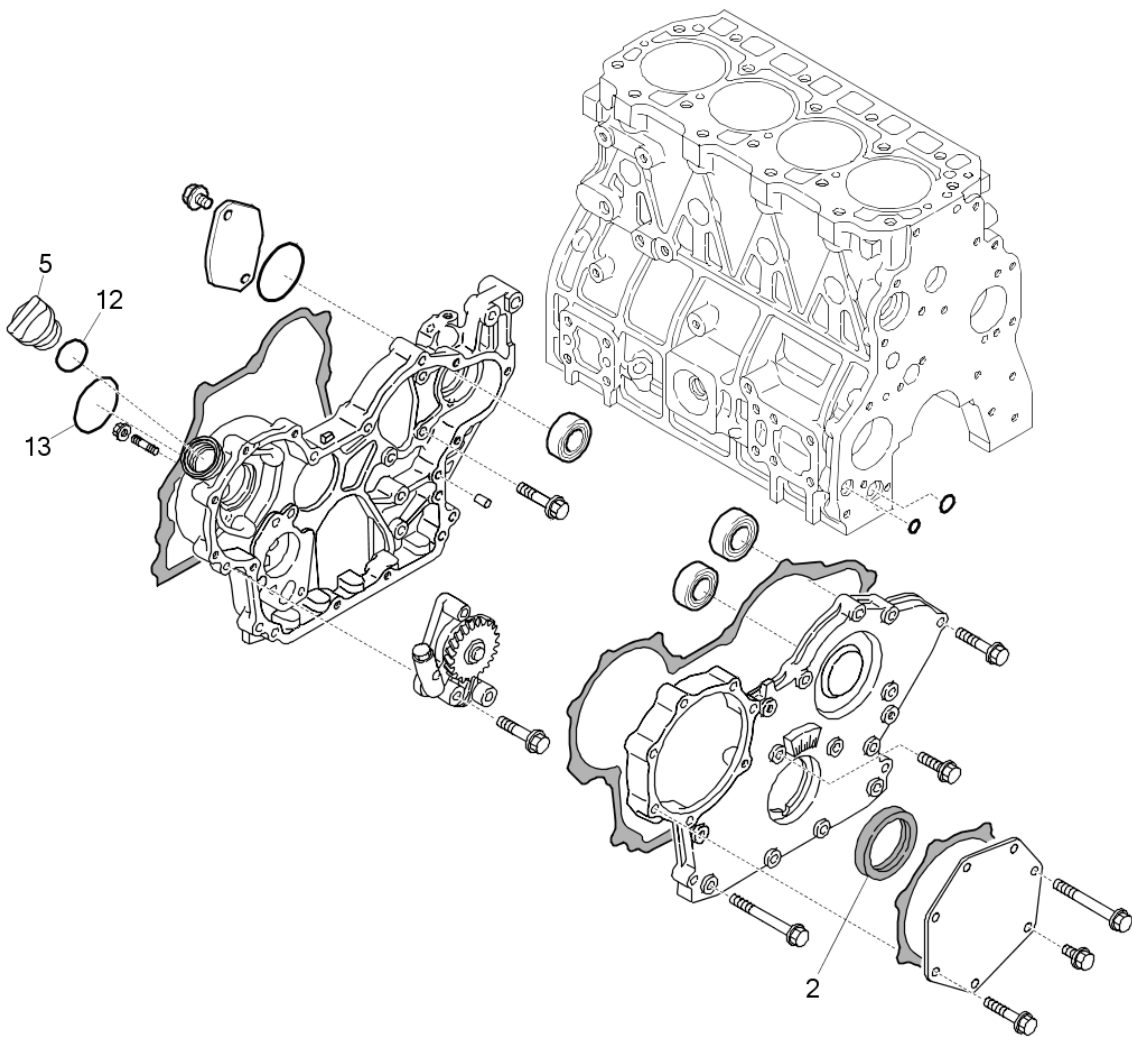
Dis.5791.3

Fig	Part-No.	Qty.	Description	Remark	validity	trucks
1	41832200300	1	MOTOR ASSY.			
2	41592641300	1	TAPPET			
3	95381133	1	CASE			
4	95381644	1	OIL SHIELD			
5	16326121	8	SCREW			
6	0501014	2	HEXAGON HEAD SCREW			
7	11193779	2	WASHER			
8	8418482	20	WASHER			
9	8003272	8	NUT HEXAGON			
10	16236634	12	SCREW			
11	0501037	6	HEXAGON HEAD SCREW	M8X25		
12	0491547	6	WASHER			
13	0505413	8	HEXAGON HEAD BOLT			



Dis.5827.1

Fig	Part-No.	Qty.	Description	Remark	validity	trucks
13	YM1299030135 0	1	GASKET			
14	YM1299000120 0	18	SCREW			



Dis. 5828.3

Fig	Part-No.	Qty.	Description	Remark	validity	trucks
2	YM1299160180 0	1	GASKET			
5	YM1241600175 1	1	PLUG			
12	F0700013032	1	O RING	Ø 32 mm Ø 32 mm		
13	YM2434100050 0	1	O RING	Ø 50 mm Ø 50 mm		

COOLING

Fig	Part-No.	Qty.	Description	Remark	validity	trucks
▶ A2		1	FAN			
1	12832220801	1	PUMP ASSY.			
4	YM2387603000 0	2	PLUG.			
5	YM2419008000 1	1	DOWEL			
8	YM1299004206 1	1	GASKET			
10	YM1299004214 0	2	O RING	Ø 36 mm		
11	YM2610608055 2	3	SCREW			
14	YM1291074490 1	1	SENSOR			
15	YM1291504936 0	1	ROLLER.	Ø = 10 mm		
16	YM1218504955 0	1	GASKET	Ø 12 mm		
18	YM1299004956 0	1	GASKET			
19	YM1218504981 0	1	THERMOSTAT.			
20	YM2610608025 2	2	SCREW			