

Still Steds Diesel Fork Truck Rc40 16t Rc40 18t Rc40 20t Serie T Parts Manual

Full download: <http://manualplace.com/download/still-steds-diesel-fork-truck-rc40-16t-rc40-18t-rc40-20t-serie-t-parts-manual>

Fig	Part-No.	Qty.	Description	Remark	validity	trucks
▶			PRODUCT INFORMATION			
▶			IC ENGINE			
▶			IC ENGINE AUXILIARY PARTS			
▶			IC ENGINE EXHAUST SYSTEM			
▶			TRANSMISSION			
▶			CHASSIS			
▶			OPERATOR'S COMPARTMENT			
▶			STEERING SYSTEM			
▶			WHEELS AND TYRES			
▶			BRAKE SYSTEM			
▶			CONTROLS			
▶			ELECTRICS; ELECTRONICS			
▶			HYDRAULICS			
▶			WORKING HYDRAULICS			
▶			MAST	from serial number 5140***		
▶			MAST	up to serial number F540***	01.09.2010->	
▶			LOAD SUPPORT			
▶			ATTACHMENTS	from serial number 5140***		
▶			ATTACHMENTS	up to serial number F540***		
▶			SPECIAL EQUIPMENT			
▶			OTHER ACCESSORIES			

Fig	Part-No.	Qty.	Description	Remark	validity	trucks
			VEHICLE DOCUMENTS			

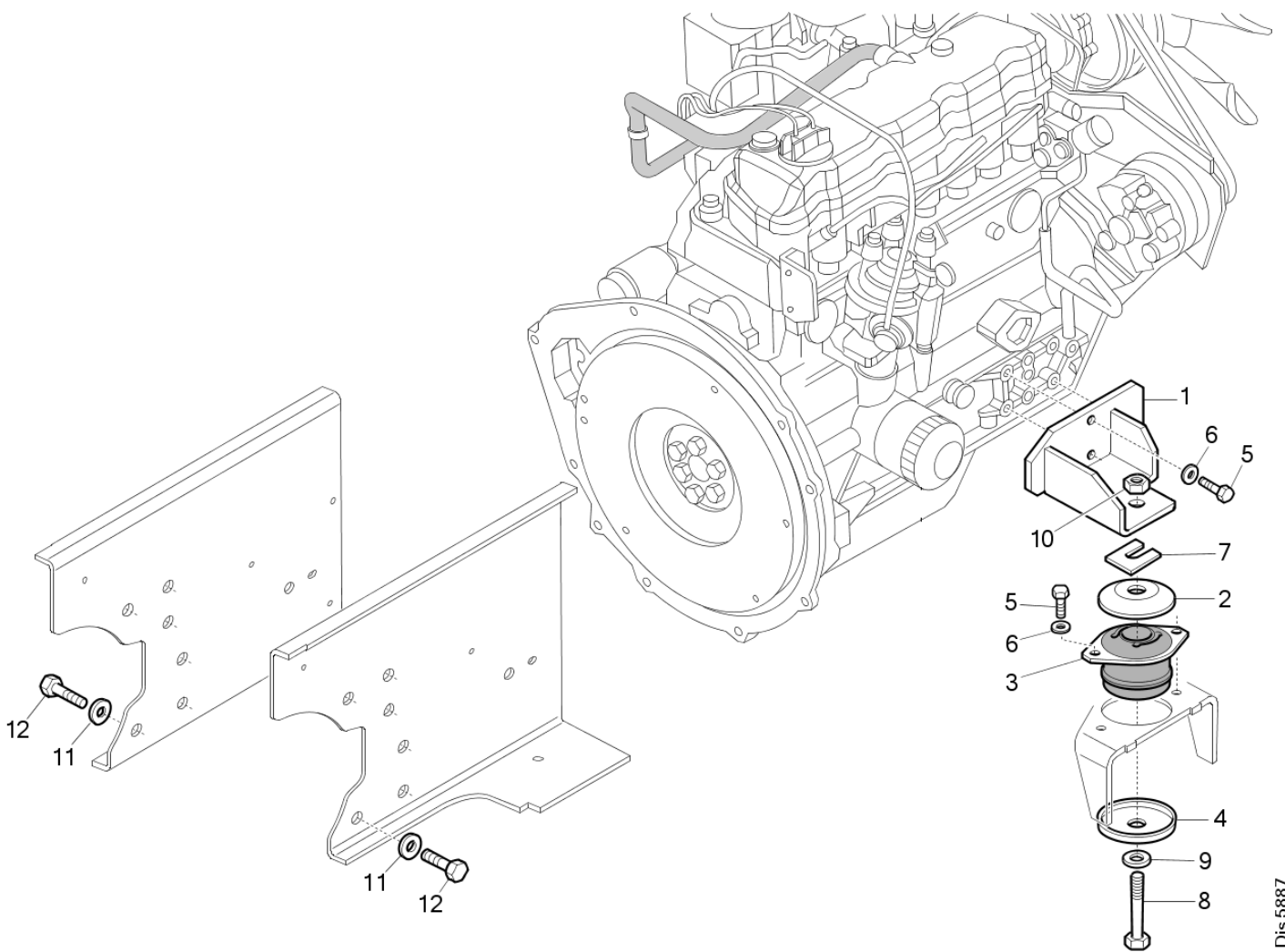
Fig	Part-No.	Qty.	Description	Remark	validity	trucks
1	0146792	1	FILE	fill level = 30 mm 30 mm		
1	0146793	1	FILE	fill level = 45 mm 45 mm		
1	0146794	1	FILE	fill level = 55 mm 55 mm		
2	0148920	1	STICKER			
3	0905146	1	OVERVIEW OF FROMS STILL SERVICE A4			
4	0157528	1	SERVICE BOOKLET			
5	0148837	1	SERVICE INFORMATION			
6	0170208	1	GUIDELINE	DE		
6	0170209	1	GUIDELINE	EN		
6	0170210	1	GUIDELINE	FR		
6	0170211	1	GUIDELINE	ES		
6	0170215	1	GUIDELINE	DA		
6	0170213	1	GUIDELINE	NL		
6	0170217	1	GUIDELINE	PT		
6	0170219	1	GUIDELINE	EL		
6	0170214	1	GUIDELINE	SV		
6	0170216	1	GUIDELINE	NO		
6	0170218	1	GUIDELINE	FI		
6	0170225	1	GUIDELINE	PL		
6	0170224	1	GUIDELINE	HU		
6	0170220	1	GUIDELINE	CZ		
6	0170226	1	GUIDELINE	SK		
6	0170227	1	GUIDELINE	SL		
6	0170221	1	GUIDELINE	ET		
6	0170223	1	GUIDELINE	LV		
6	0170222	1	GUIDELINE	LT		
6	0170228	1	GUIDELINE	TR		
6	0170229	1	GUIDELINE	RU		
6	0172987	1	GUIDELINE	BG		
6	0172988	1	GUIDELINE	RO		
7	50988011779	1	UM	DE		
7	50988011780	1	UM	EN		
7	50988011781	1	UM	FR		
7	50988011782	1	UM	IT		
7	50988011783	1	UM	ES		
7	50988011784	1	UM	NL		
7	50988011785	1	UM	DA		
7	50988011786	1	UM	PT		
7	50988011787	1	UM	EL		
7	50988011788	1	UM	BG		

Fig	Part-No.	Qty.	Description	Remark	validity	trucks
7	50988011789	1	UM	SV		
7	50988011790	1	UM	NO		
7	50988011791	1	UM	FI		
7	50988011792	1	UM	RU		
7	50988011793	1	UM	RO		
7	50988011794	1	UM	PL		
7	50988011795	1	UM	HU		
7	50988011796	1	UM	CS		
7	50988011797	1	UM	SK		
7	50988011798	1	UM	SL		
7	50988011799	1	UM	ET		
7	50988011800	1	UM	LV		
7	50988011801	1	UM	LT		
7	50988011802	1	UM	IS		
7	50988011803	1	UM	TR		
8	50988011438	1	SPL	SPARE PARTS LIST		

Fig	Part-No.	Qty.	Description	Remark	validity	trucks
▶			LPG ENGINE			

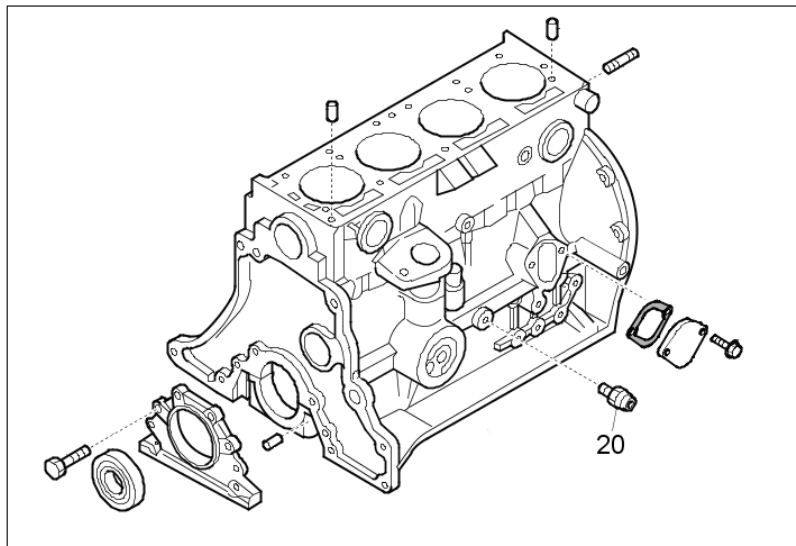
Fig	Part-No.	Qty.	Description	Remark	validity	trucks
▶			LPG ENGINE			
▶			ENGINE SUSPENSIONS	vibration damper		
▶			HOUSING			
▶			BREATHER			
▶			SPEED CONTROLLING			
▶			IGNITION DISTRIBUTOR			
▶			SPARK PLUGS			
▶			ALTERNATOR			
▶			STARTER MOTOR			
▶			GASKET KIT			
▶			OIL SUMP			
▶			LUBRICATION			
▶			CYLINDER HEAD			
▶			GAS FILTER			
▶			INTAKE AND EXHAUST MANIFOLDS			
▶			VENTILATION			
▶			WATER PUMP			
▶			COOLING			

Fig	Part-No.	Qty.	Description	Remark	validity	trucks
1	41692200302	1	ENGINE ASSY.			
2	95382030	1	CASINGS			
3	42579615100	1	SEAL			
4	8004789	2	HEXAGON HEAD SCREW			
5	0502085	2	WASHER			
6	0505413	8	HEXAGON HEAD BOLT			
7	8418482	14	WASHER			
8	8003272	8	NUT HEXAGON			
9	0501037	6	HEXAGON HEAD SCREW	M8X25		



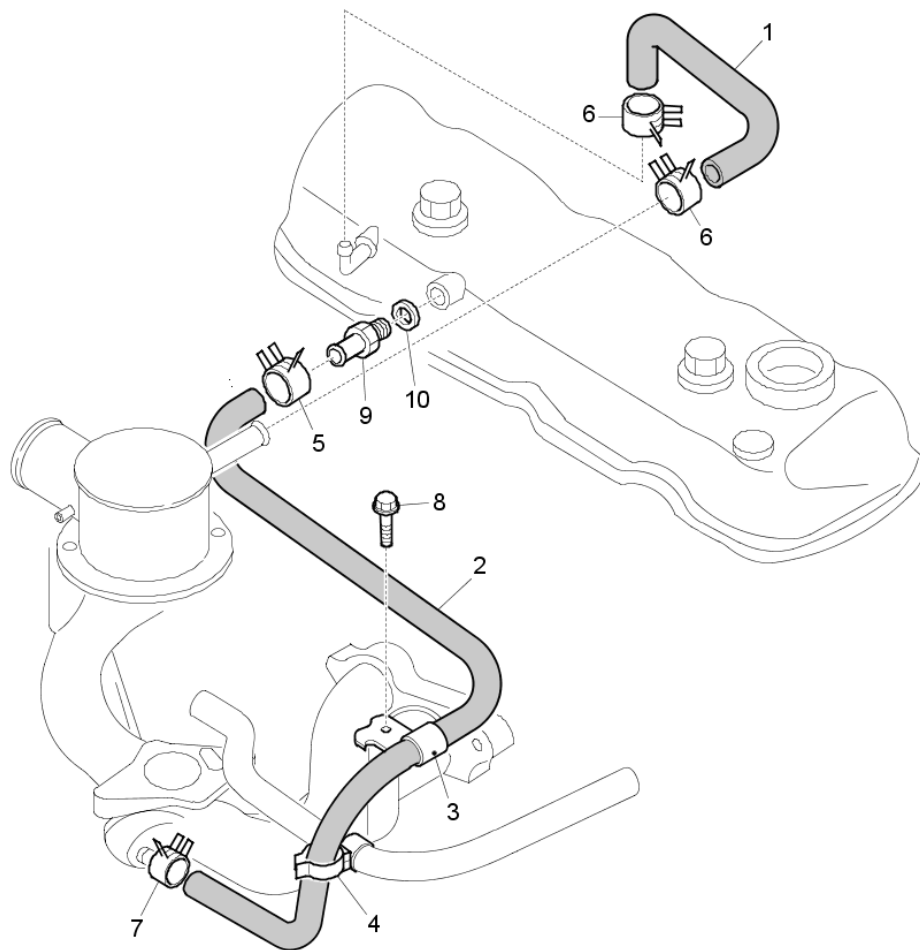
Dis.5887

Fig	Part-No.	Qty.	Description	Remark	validity	trucks
1	41692100107	1	MOTOR SUPPORT ASSY.	LEFT		
1	41692100108	1	MOTOR SUPPORT ASSY.	right		
2	41412122100	2	RING			
3	0009654210	2	SPRING ELEMENT			
4	9445980	2	TAPPET SHIM			
5	8004797	10	HEXAGON HEAD SCREW			
6	8418482	10	WASHER			
7	54022122300	2	SPACER		19.04.2013->	
7	9440630	2	SHIM	1,0 mm	->18.04.2013	
7	9440629	2	SHIM	0,5 mm	->18.04.2013	
8	9007311376	2	HEXAGON HEAD BOLT			
9	0009147018	2	WASHER	14x30x2,4-A2C-NFE	11.01.2013->	
9	12644901	2	PLAIN WASHER		->10.01.2013	
10	4401592	2	HEXAGON NUT			
11	9338620031	12	WASHER		11.01.2013->	
11	11200379	12	WASHER		->10.01.2013	
12	F9008346488	12	SCREW			



Dis.5862.1

Fig	Part-No.	Qty.	Description	Remark	validity	trucks
20	25240FJ10A	1	SENSOR.			



Dis.3750.1

Fig	Part-No.	Qty.	Description	Remark	validity	trucks
1	11828FU400	1	PIPE			
2	11823FU400	1	PIPE			
3	24220FU400	1	LINK.			
4	F2422079901	1	LINK.			
5	1643942L01	1	TERMINAL...			
6	16439V5000	2	TERMINAL...			
7	1643917B00	1	TERMINAL...			
8	NJ0812061633	1	BOLT			
9	1181075T00	1	VALVE			
10	1181241B00	1	INSULATING PLATE			