



ERSATZTEILLISTE

Spare Parts List
Catalogue de pièces détachées
Catalogo parti di ricambio
Catálogo de recambio

GABELSTAPLER

Fork Truck
Chariot élévateur
Carrello elevatore
Carretilla elevadora

STILL
ELECTRONIC
DOCUMENTATION
SYSTEM

RC 40-16
RC 40-18
RC 40-20
RC 40-16 T
RC 40-18 T
RC 40-20 T



4041 - 4046

54018011400 - 06.2013

first in intralogistics

Fig	Part-No.	Qty.	Description	Remark	validity	trucks
▶			PRODUCT INFORMATION			
▶			INTERNAL COMBUSTION ENGINE			
▶			INTERNAL COMBUSTION ENGINE	attachment parts		
▶			INTERNAL COMBUSTION ENGINE	EXHAUST SYSTEM		
▶			MECHANICAL DRIVE AXLE			
▶			CHASSIS			
▶			DRIVERS PLACE			
▶			STEERING SYSTEM			
▶			WHEELS AND TYRES			
▶			BRAKING SYSTEM			
▶			OPERATING DEVICES			
▶			ELECTRICS; ELECTRONICS			
▶			HYDRAULICS			
▶			WORKING HYDRAULIC			
▶			MAST BEARING		03.03.2009->	
▶			MAST			
▶			LOAD SUPPORT			
▶			ATTACHMENTS			
▶			SPECIAL EQUIPMENT			
▶			OTHER ACCESSORIES			

Fig	Part-No.	Qty.	Description	Remark	validity	trucks
▶			VEHICLE DOCUMENTS	Diesel		
▶			VEHICLE DOCUMENTS	LPG		

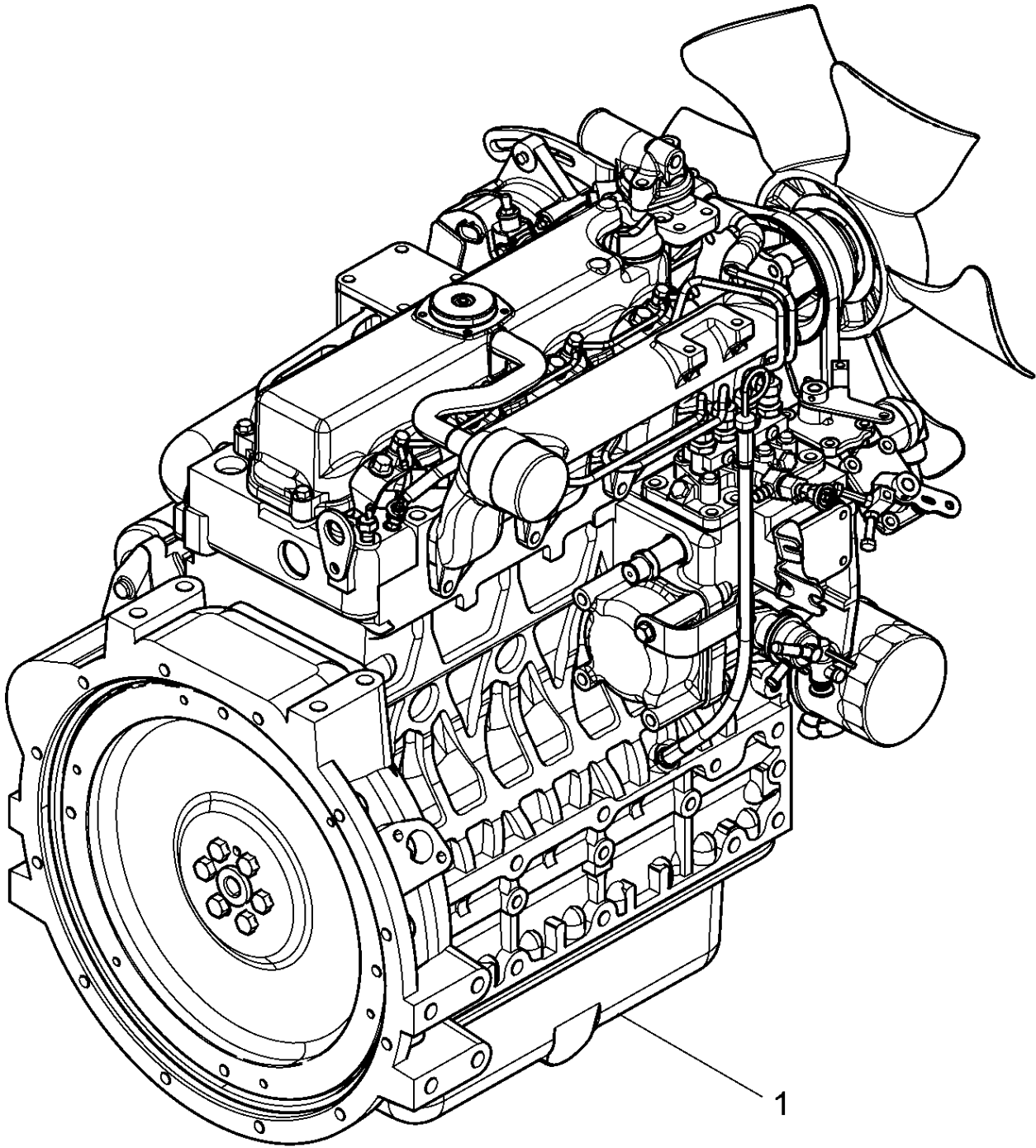
Fig	Part-No.	Qty.	Description	Remark	validity	trucks
1	0146792	1	FILE	fill level = 30 mm 30 mm		
1	0146793	1	FILE	fill level = 45 mm 45 mm		
1	0146794	1	FILE	fill level = 55 mm 55 mm		
2	0148920	1	STICKER			
3	0905146	1	OVERVIEW OF FROMS STILL SERVICE A4			
4	0157528	1	SERVICE BOOKLET			
5	0148837	1	SERVICE INFORMATION			
6	0170208	1	GUIDELINE	DE		
6	0170209	1	GUIDELINE	EN		
6	0170210	1	GUIDELINE	FR		
6	0170211	1	GUIDELINE	ES		
6	0170215	1	GUIDELINE	DA		
6	0170213	1	GUIDELINE	NL		
6	0170217	1	GUIDELINE	PT		
6	0170219	1	GUIDELINE	EL		
6	0170214	1	GUIDELINE	SV		
6	0170216	1	GUIDELINE	NO		
6	0170218	1	GUIDELINE	FI		
6	0170225	1	GUIDELINE	PL		
6	0170224	1	GUIDELINE	HU		
6	0170220	1	GUIDELINE	CZ		
6	0170226	1	GUIDELINE	SK		
6	0170227	1	GUIDELINE	SL		
6	0170221	1	GUIDELINE	ET		
6	0170223	1	GUIDELINE	LV		
6	0170222	1	GUIDELINE	LT		
6	0170228	1	GUIDELINE	TR		
6	0170229	1	GUIDELINE	RU		
6	0172987	1	GUIDELINE	BG		
6	0172988	1	GUIDELINE	RO		
7	54018042500	1	OPERATING INSTRUCTIONS	DE		
7	54018042501	1	OPERATING INSTRUCTIONS	EN		
7	54018042502	1	OPERATING INSTRUCTIONS	FR		
7	54018042503	1	OPERATING INSTRUCTIONS	IT		
7	54018042504	1	OPERATING INSTRUCTIONS	ES		
7	54018042505	1	OPERATING INSTRUCTIONS	DA		
7	54018042506	1	OPERATING INSTRUCTIONS	NL		
7	54018042507	1	OPERATING INSTRUCTIONS	PT		
7	54018042508	1	OPERATING INSTRUCTIONS	EL		
7	54018042509	1	OPERATING INSTRUCTIONS	BG		

Fig	Part-No.	Qty.	Description	Remark	validity	trucks
7	54018042510	1	OPERATING INSTRUCTIONS	SV		
7	54018042511	1	OPERATING INSTRUCTIONS	NO		
7	54018042512	1	OPERATING INSTRUCTIONS	FI		
7	54018042513	1	OPERATING INSTRUCTIONS	RU		
7	54018042514	1	OPERATING INSTRUCTIONS	RO		
7	54018042515	1	OPERATING INSTRUCTIONS	PL		
7	54018042516	1	OPERATING INSTRUCTIONS	HU		
7	54018042517	1	OPERATING INSTRUCTIONS	CS		
7	54018042518	1	OPERATING INSTRUCTIONS	SK		
7	54018042519	1	OPERATING INSTRUCTIONS	SL		
7	54018042520	1	OPERATING INSTRUCTIONS	ET		
7	54018042521	1	OPERATING INSTRUCTIONS	LV		
7	54018042522	1	OPERATING INSTRUCTIONS	LT		
7	54018042523	1	OPERATING INSTRUCTIONS	IS		
7	54018042524	1	OPERATING INSTRUCTIONS	TR		
7	50988011996	1	UM	HR		
8	54018011400	1	SPL			

Fig	Part-No.	Qty.	Description	Remark	validity	trucks
1	0146792	1	FILE	fill level = 30 mm 30 mm		
1	0146793	1	FILE	fill level = 45 mm 45 mm		
1	0146794	1	FILE	fill level = 55 mm 55 mm		
2	0148920	1	STICKER			
3	0905146	1	OVERVIEW OF FROMS STILL SERVICE A4			
4	0157528	1	SERVICE BOOKLET			
5	0148837	1	SERVICE INFORMATION			
6	0170208	1	GUIDELINE	DE		
6	0170209	1	GUIDELINE	EN		
6	0170210	1	GUIDELINE	FR		
6	0170211	1	GUIDELINE	ES		
6	0170215	1	GUIDELINE	DA		
6	0170213	1	GUIDELINE	NL		
6	0170217	1	GUIDELINE	PT		
6	0170219	1	GUIDELINE	EL		
6	0170214	1	GUIDELINE	SV		
6	0170216	1	GUIDELINE	NO		
6	0170218	1	GUIDELINE	FI		
6	0170225	1	GUIDELINE	PL		
6	0170224	1	GUIDELINE	HU		
6	0170220	1	GUIDELINE	CZ		
6	0170226	1	GUIDELINE	SK		
6	0170227	1	GUIDELINE	SL		
6	0170221	1	GUIDELINE	ET		
6	0170223	1	GUIDELINE	LV		
6	0170222	1	GUIDELINE	LT		
6	0170228	1	GUIDELINE	TR		
6	0170229	1	GUIDELINE	RU		
6	0172987	1	GUIDELINE	BG		
6	0172988	1	GUIDELINE	RO		
7	54018042525	1	OPERATING INSTRUCTIONS	DE		
7	54018042526	1	OPERATING INSTRUCTIONS	EN		
7	54018042527	1	OPERATING INSTRUCTIONS	FR		
7	54018042528	1	OPERATING INSTRUCTIONS	IT		
7	54018042529	1	OPERATING INSTRUCTIONS	ES		
7	54018042530	1	OPERATING INSTRUCTIONS	DA		
7	54018042531	1	OPERATING INSTRUCTIONS	NL		
7	54018042532	1	OPERATING INSTRUCTIONS	PT		
7	54018042533	1	OPERATING INSTRUCTIONS	EL		
7	54018042534	1	OPERATING INSTRUCTIONS	BG		

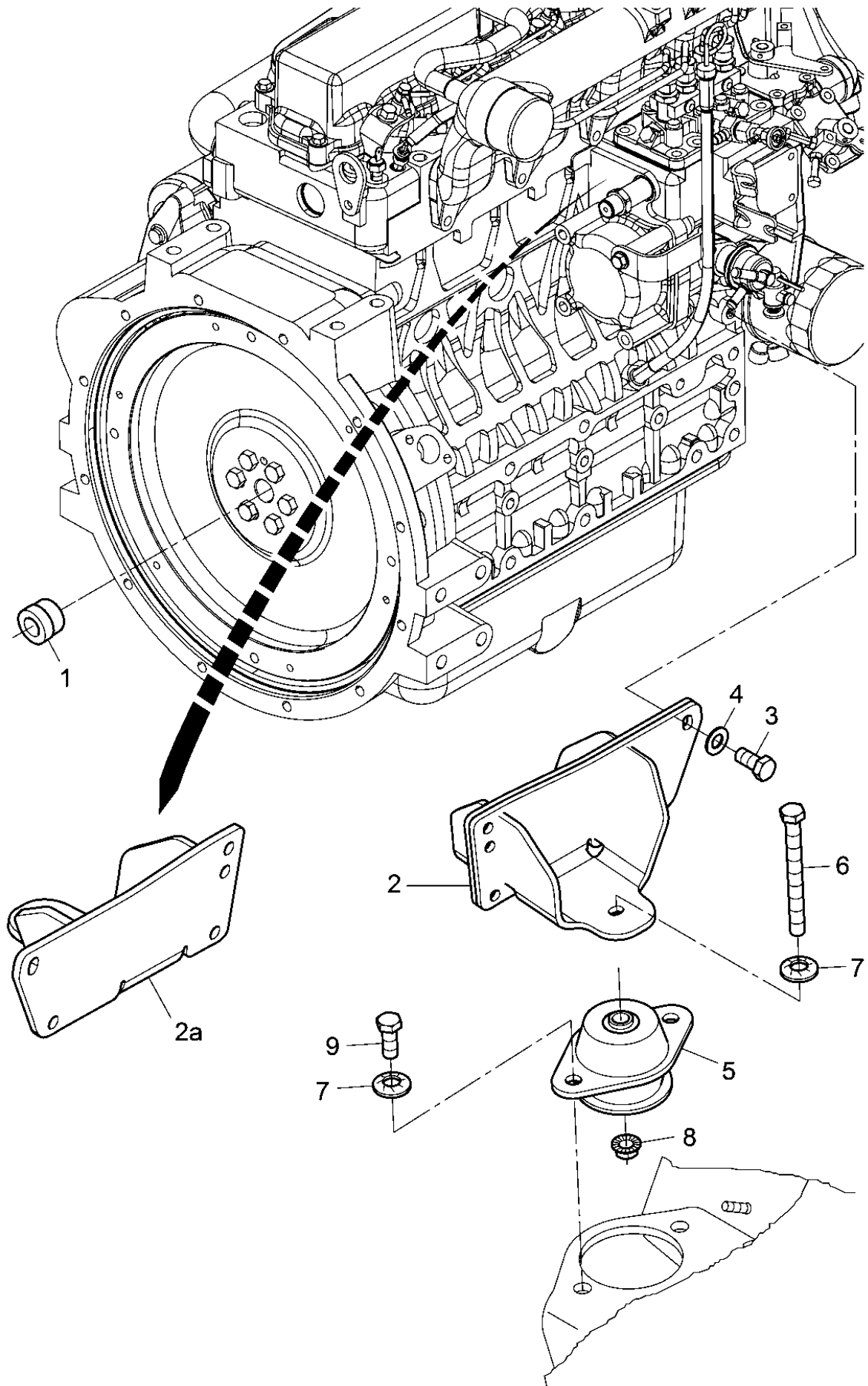
Fig	Part-No.	Qty.	Description	Remark	validity	trucks
7	54018042535	1	OPERATING INSTRUCTIONS	SV		
7	54018042536	1	OPERATING INSTRUCTIONS	NO		
7	54018042537	1	OPERATING INSTRUCTIONS	FI		
7	54018042538	1	OPERATING INSTRUCTIONS	RU		
7	54018042539	1	OPERATING INSTRUCTIONS	RO		
7	54018042540	1	OPERATING INSTRUCTIONS	PL		
7	54018042541	1	OPERATING INSTRUCTIONS	HU		
7	54018042542	1	OPERATING INSTRUCTIONS	CS		
7	54018042543	1	OPERATING INSTRUCTIONS	SK		
7	54018042544	1	OPERATING INSTRUCTIONS	SL		
7	54018042545	1	OPERATING INSTRUCTIONS	ET		
7	54018042546	1	OPERATING INSTRUCTIONS	LV		
7	54018042547	1	OPERATING INSTRUCTIONS	LT		
7	54018042548	1	OPERATING INSTRUCTIONS	IS		
7	54018042549	1	OPERATING INSTRUCTIONS	TR		
7	50988011997	1	UM	HR		
8	54018011401	1	SPL			

Fig	Part-No.	Qty.	Description	Remark	validity	trucks
▶			DIESEL ENGINE			
▶			LPG ENGINE			



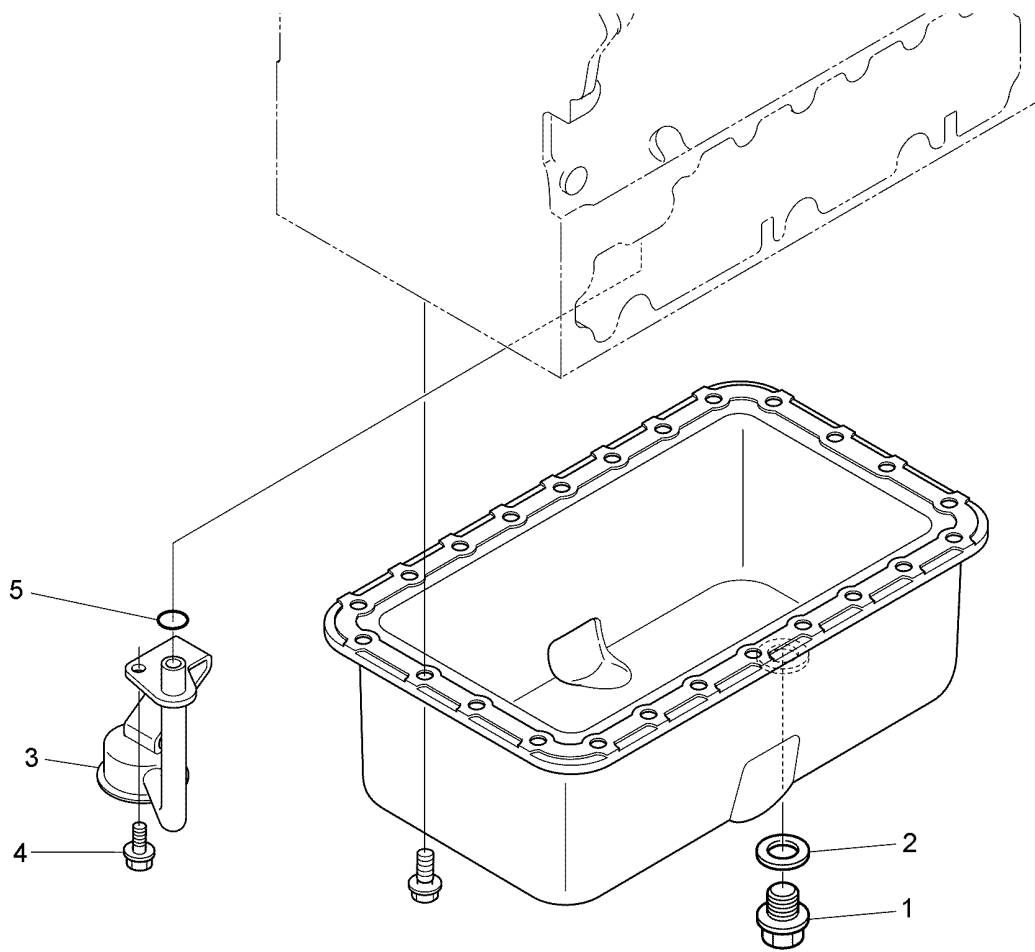
19472

Fig	Part-No.	Qty.	Description	Remark	validity	trucks
1	54012210500	1	ENGINE			
▶			ENGINE SUSPENSION			
▶			OIL SUMP			
▶			CYLINDER HEAD			
▶			CYLINDER HEAD COVER			
▶			OIL FILTER			
▶			SOLENOID			
▶			INJECTION PUMP			
▶			1ST-2ND GEAR SELECTOR			
▶			NOZZLE HOLDER			
▶			FUEL FILTER			
▶			ALTERNATOR			
▶			STARTER MOTOR			
▶			SWITCH			
▶			THERMOSTAT			
▶			WATER PUMP			
▶			FAN			
▶		1	CONTROL-UNIT			



19403

Fig	Part-No.	Qty.	Description	Remark	validity	trucks
1	54012531400	1	BUSH			
2	54012121200	1	SUPPORT	left		
2a	54012121201	1	SUPPORT	right		
3	9011316191	8	HEXAGON HEAD SCREW			
4	0500953	8	DETENT RING			
5	0533509	2	SPRING ELEMENT			
6	0505361	2	HEXAGON BOLT		->13.06.2014	
6	8004576	2	HEXAGON HEAD BOLT		13.06.2014->	
7	0530303	4	LOCK EDGE WASHER			
8	0532023	2	HEXAGON NUT			
9	0501104	4	HEXAGON BOLT		->13.06.2014	
9	8004849	4	HEXAGON HEAD SCREW		13.06.2014->	



19452

OIL SUMP

RC40 1,6 t - 2,0 t

Fig	Part-No.	Qty.	Description	Remark	validity	trucks
1	0009515168	1	PLUG			
2	0009610455	1	SEAL			
3	0009831427	1	OIL FILTER			
4	0009033072	1	SCREW PLUG			
5	0009631450	1	O-RING			