

**Still Steds Diesel Fork Truck Rc40 16 Rc40 18 Rc40 20 Parts Manual**

Full download: <http://manualplace.com/download/still-steds-diesel-fork-truck-rc40-16-rc40-18-rc40-20-parts-manual/>

| Fig | Part-No. | Qty. | Description                | Remark                      | validity     | trucks |
|-----|----------|------|----------------------------|-----------------------------|--------------|--------|
| ▶   |          |      | PRODUCT INFORMATION        |                             |              |        |
| ▶   |          |      | INTERNAL COMBUSTION ENGINE |                             |              |        |
| ▶   |          |      | IC ENGINE AUXILIARY PARTS  |                             |              |        |
| ▶   |          |      | IC ENGINE EXHAUST SYSTEM   |                             |              |        |
| ▶   |          |      | TRANSMISSION               |                             |              |        |
| ▶   |          |      | CHASSIS                    |                             |              |        |
| ▶   |          |      | DRIVERS PLACE              |                             |              |        |
| ▶   |          |      | STEERING SYSTEM            |                             |              |        |
| ▶   |          |      | WHEELS AND TYRES           |                             |              |        |
| ▶   |          |      | BRAKE SYSTEM               |                             |              |        |
| ▶   |          |      | CONTROLS                   |                             |              |        |
| ▶   |          |      | ELECTRICS; ELECTRONICS     |                             |              |        |
| ▶   |          |      | HYDRAULICS                 |                             |              |        |
| ▶   |          |      | WORKING HYDRAULICS         |                             |              |        |
| ▶   |          |      | MAST                       | from serial number 5140***  |              |        |
| ▶   |          |      | MAST                       | up to serial number F540*** | 01.09.2010-> |        |
| ▶   |          |      | LOAD SUPPORT               |                             |              |        |
| ▶   |          |      | ATTACHMENTS                | from serial number 5140***  |              |        |
| ▶   |          |      | ATTACHMENTS                | up to serial number F540*** |              |        |
| ▶   |          |      | SPECIAL EQUIPMENT          |                             |              |        |
| ▶   |          |      | OTHER ACCESSORIES          |                             |              |        |



---

| Fig | Part-No. | Qty. | Description       | Remark | validity | trucks |
|-----|----------|------|-------------------|--------|----------|--------|
|     |          |      | VEHICLE DOCUMENTS |        |          |        |



| Fig | Part-No.    | Qty. | Description                           | Remark                      | validity | trucks |
|-----|-------------|------|---------------------------------------|-----------------------------|----------|--------|
| 1   | 0146792     | 1    | FILE                                  | fill level = 30 mm<br>30 mm |          |        |
| 1   | 0146793     | 1    | FILE                                  | fill level = 45 mm<br>45 mm |          |        |
| 1   | 0146794     | 1    | FILE                                  | fill level = 55 mm<br>55 mm |          |        |
| 2   | 0148920     | 1    | STICKER                               |                             |          |        |
| 3   | 0905146     | 1    | OVERVIEW OF FROMS STILL<br>SERVICE A4 |                             |          |        |
| 4   | 0157528     | 1    | SERVICE BOOKLET                       |                             |          |        |
| 5   | 0148837     | 1    | SERVICE INFORMATION                   |                             |          |        |
| 6   | 0170208     | 1    | GUIDELINE                             | DE                          |          |        |
| 6   | 0170209     | 1    | GUIDELINE                             | EN                          |          |        |
| 6   | 0170210     | 1    | GUIDELINE                             | FR                          |          |        |
| 6   | 0170211     | 1    | GUIDELINE                             | ES                          |          |        |
| 6   | 0170215     | 1    | GUIDELINE                             | DA                          |          |        |
| 6   | 0170213     | 1    | GUIDELINE                             | NL                          |          |        |
| 6   | 0170217     | 1    | GUIDELINE                             | PT                          |          |        |
| 6   | 0170219     | 1    | GUIDELINE                             | EL                          |          |        |
| 6   | 0170214     | 1    | GUIDELINE                             | SV                          |          |        |
| 6   | 0170216     | 1    | GUIDELINE                             | NO                          |          |        |
| 6   | 0170218     | 1    | GUIDELINE                             | FI                          |          |        |
| 6   | 0170225     | 1    | GUIDELINE                             | PL                          |          |        |
| 6   | 0170224     | 1    | GUIDELINE                             | HU                          |          |        |
| 6   | 0170220     | 1    | GUIDELINE                             | CZ                          |          |        |
| 6   | 0170226     | 1    | GUIDELINE                             | SK                          |          |        |
| 6   | 0170227     | 1    | GUIDELINE                             | SL                          |          |        |
| 6   | 0170221     | 1    | GUIDELINE                             | ET                          |          |        |
| 6   | 0170223     | 1    | GUIDELINE                             | LV                          |          |        |
| 6   | 0170222     | 1    | GUIDELINE                             | LT                          |          |        |
| 6   | 0170228     | 1    | GUIDELINE                             | TR                          |          |        |
| 6   | 0170229     | 1    | GUIDELINE                             | RU                          |          |        |
| 6   | 0172987     | 1    | GUIDELINE                             | BG                          |          |        |
| 6   | 0172988     | 1    | GUIDELINE                             | RO                          |          |        |
| 7   | 50988011804 | 1    | UM                                    | DE                          |          |        |
| 7   | 50988011805 | 1    | UM                                    | EN                          |          |        |
| 7   | 50988011806 | 1    | UM                                    | FR                          |          |        |
| 7   | 50988011807 | 1    | UM                                    | IT                          |          |        |
| 7   | 50988011808 | 1    | UM                                    | ES                          |          |        |
| 7   | 50988011809 | 1    | UM                                    | NL                          |          |        |
| 7   | 50988011810 | 1    | UM                                    | DA                          |          |        |
| 7   | 50988011811 | 1    | UM                                    | PT                          |          |        |
| 7   | 50988011812 | 1    | UM                                    | EL                          |          |        |
| 7   | 50988011813 | 1    | UM                                    | BG                          |          |        |



| Fig | Part-No.    | Qty. | Description | Remark           | validity | trucks |
|-----|-------------|------|-------------|------------------|----------|--------|
| 7   | 50988011814 | 1    | UM          | SV               |          |        |
| 7   | 50988011815 | 1    | UM          | NO               |          |        |
| 7   | 50988011816 | 1    | UM          | FI               |          |        |
| 7   | 50988011817 | 1    | UM          | RU               |          |        |
| 7   | 50988011818 | 1    | UM          | RO               |          |        |
| 7   | 50988011819 | 1    | UM          | PL               |          |        |
| 7   | 50988011820 | 1    | UM          | HU               |          |        |
| 7   | 50988011821 | 1    | UM          | CS               |          |        |
| 7   | 50988011822 | 1    | UM          | SK               |          |        |
| 7   | 50988011823 | 1    | UM          | SL               |          |        |
| 7   | 50988011824 | 1    | UM          | ET               |          |        |
| 7   | 50988011825 | 1    | UM          | LV               |          |        |
| 7   | 50988011826 | 1    | UM          | LT               |          |        |
| 7   | 50988011827 | 1    | UM          | IS               |          |        |
| 7   | 50988011828 | 1    | UM          | TR               |          |        |
| 8   | 50988011439 | 1    | SPL         | SPARE PARTS LIST |          |        |



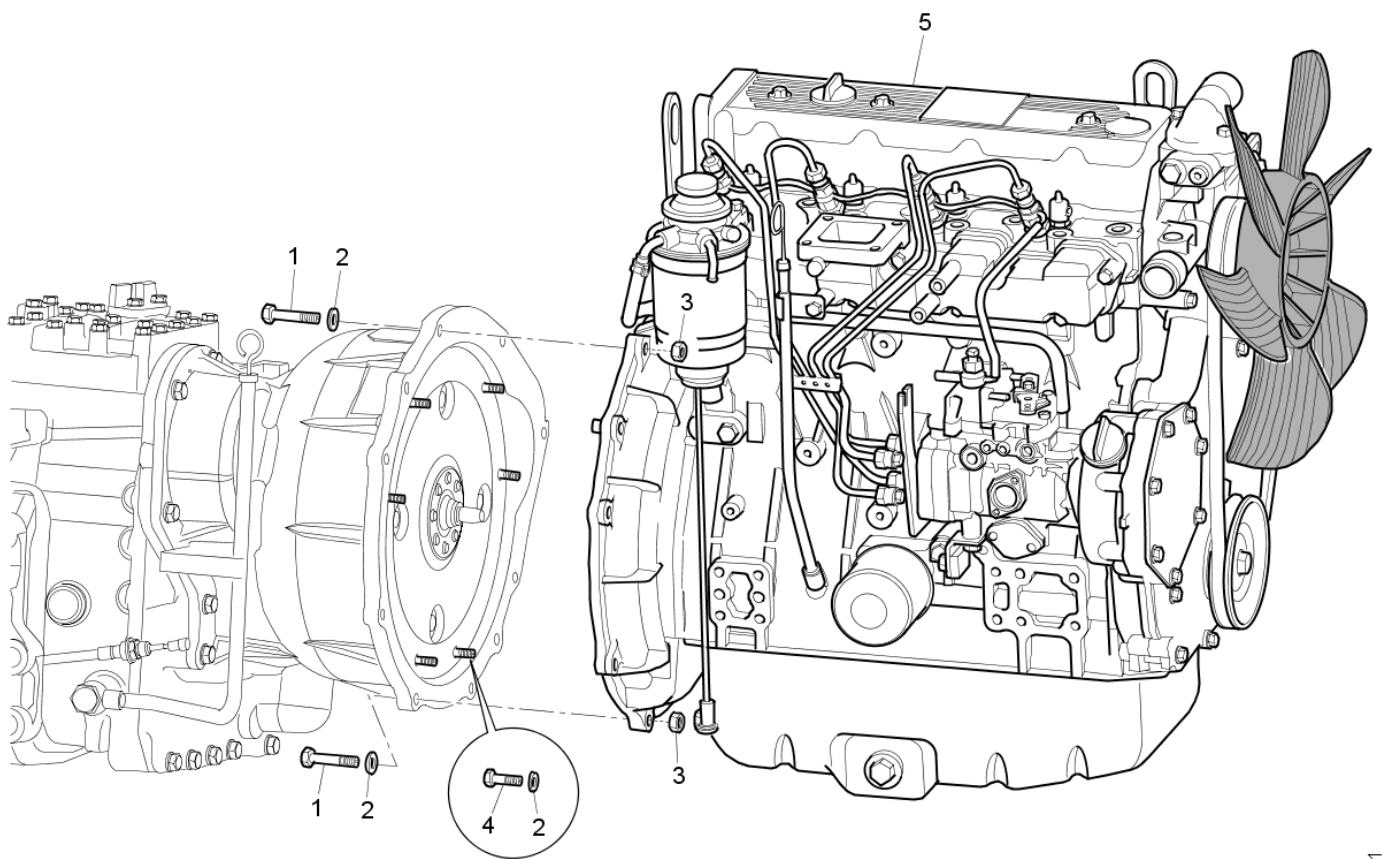


---

| Fig | Part-No. | Qty. | Description   | Remark | validity | trucks |
|-----|----------|------|---------------|--------|----------|--------|
| ▶   |          |      | DIESEL ENGINE |        |          |        |



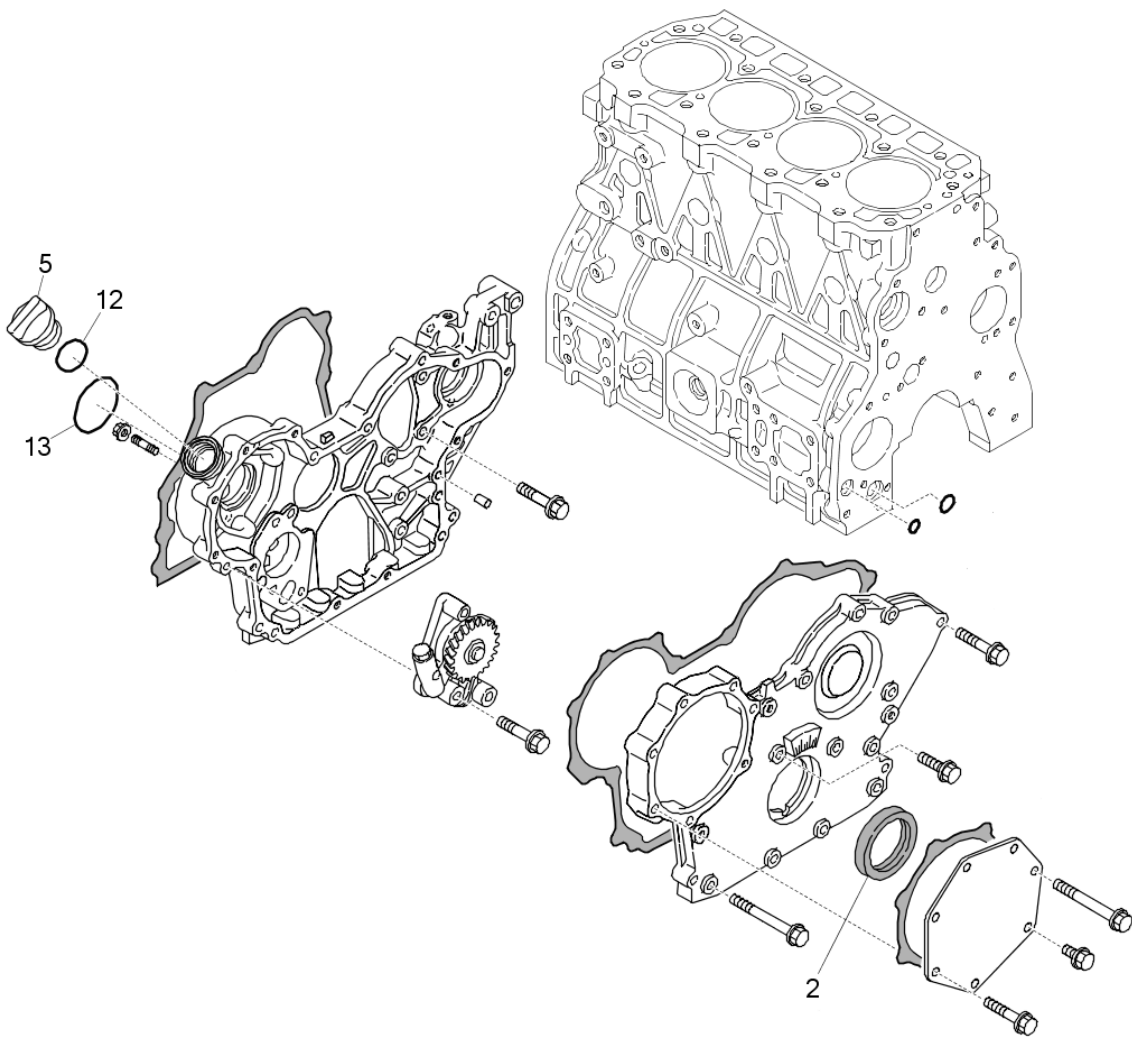
| Fig | Part-No. | Qty. | Description            | Remark | validity | trucks |
|-----|----------|------|------------------------|--------|----------|--------|
| ▶   |          |      | DIESEL ENGINE          |        |          |        |
| ▶   |          |      | COVER                  |        |          |        |
| ▶   |          |      | COOLING                |        |          |        |
| ▶   |          |      | INJECTION PUMP         | HOLDER |          |        |
| ▶   |          |      | INJECTION SYSTEM PIPES |        |          |        |
| ▶   |          |      | ALTERNATOR             |        |          |        |
| ▶   |          |      | ALTERNATOR SUPPORT     |        |          |        |
| ▶   |          |      | STARTER MOTOR          |        |          |        |
| ▶   |          |      | ENGINE SUSPENSIONS     | Diesel |          |        |
| ▶   |          |      | SEAL KIT               |        |          |        |
| ▶   |          |      | OIL SUMP               |        |          |        |
| ▶   |          |      | LUBRICANT              |        |          |        |
| ▶   |          |      | CYLINDER HEAD (VALVES) |        |          |        |



Dis. 3783.1

---

| Fig | Part-No.    | Qty. | Description        | Remark | validity | trucks |
|-----|-------------|------|--------------------|--------|----------|--------|
| 1   | 0505413     | 8    | HEXAGON HEAD BOLT  |        |          |        |
| 2   | 8418482     | 14   | WASHER             |        |          |        |
| 3   | 8003272     | 8    | NUT HEXAGON        |        |          |        |
| 4   | 0501037     | 6    | HEXAGON HEAD SCREW | M8X25  |          |        |
| 5   | 41822200300 | 1    | MOTOR ASSY.        |        |          |        |



Dis: 5828: 1

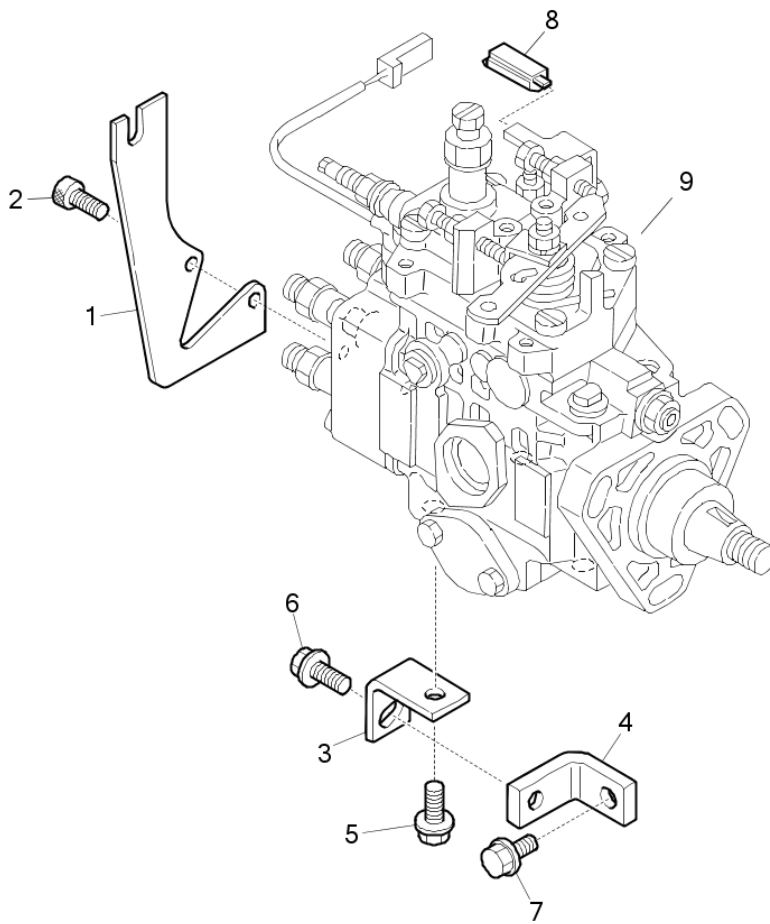
---

| Fig | Part-No.          | Qty. | Description | Remark             | validity | trucks |
|-----|-------------------|------|-------------|--------------------|----------|--------|
| 2   | 9857616           | 1    | FACING      |                    |          |        |
| 5   | YM1241600175<br>1 | 1    | PLUG        |                    |          |        |
| 12  | F0700013032       | 1    | O RING      | Ø 32 mm<br>Ø 32 mm |          |        |
| 13  | YM2434100050<br>0 | 1    | O RING      | Ø 50 mm            |          |        |





| Fig | Part-No.          | Qty. | Description | Remark  | validity | trucks |
|-----|-------------------|------|-------------|---------|----------|--------|
| 1   | 12832220801       | 1    | PUMP ASSY.  |         |          |        |
| 3   | YM1299004217<br>0 | 1    | FACING      |         |          |        |
| 4   | 9857625           | 2    | PLUG.       |         |          |        |
| 5   | YM2419008000<br>1 | 1    | DOWEL       |         |          |        |
| 10  | YM1299004214<br>0 | 2    | O RING      | Ø 36 mm |          |        |
| 11  | YM2610608055<br>2 | 3    | SCREW       |         |          |        |
| 12  | YM1299004246<br>1 | 1    | PULLEY      |         |          |        |
| 13  | YM2515200450<br>0 | 1    | BELT        |         |          |        |
| 14  | YM1299004470<br>0 | 1    | FAN..       |         |          |        |
| 15  | YM2601408016<br>2 | 4    | SCREW       |         |          |        |
| 16  | YM1218504955<br>0 | 1    | GASKET      | Ø 12 mm |          |        |
| 18  | YM1299004956<br>0 | 1    | GASKET      |         |          |        |
| 19  | YM1218504981<br>0 | 1    | THERMOSTAT. |         |          |        |
| 20  | YM2610608025<br>2 | 2    | SCREW       |         |          |        |



Dis.5837.1

**INJECTION PUMP**  
HOLDER

| Fig | Part-No.          | Qty. | Description    | Remark | validity | trucks |
|-----|-------------------|------|----------------|--------|----------|--------|
| 1   | YM1299306701<br>0 | 1    | BRACKET.       |        |          |        |
| 2   | YM2645006025<br>2 | 2    | SCREW          |        |          |        |
| 3   | YM1299010195<br>0 | 1    | BRACKET.       |        |          |        |
| 4   | YM1299010196<br>0 | 1    | BRACKET.       |        |          |        |
| 5   | YM2610610014<br>2 | 1    | SCREW          |        |          |        |
| 6   | YM2610610016<br>2 | 1    | SCREW          |        |          |        |
| 7   | YM2610610020<br>2 | 1    | SCREW          |        |          |        |
| 8   | 9857623           | 1    | SHIM           |        |          |        |
| 9   | YM1299045112<br>0 | 1    | INJECTION PUMP |        |          |        |