



R70-60 R70-70 R70-80

Diesel-Gabelstapler
Diesel Fork Truck
Chariot élévateur Diesel
Carrello elevatore Diesel
Carretilla elevadora Diesel



**Ersatz-
teil-
Liste**

**Spare
Parts
List**

**Catalogue
de pièces
détachées**

**Catalogo
parti di
ricambio**

**Catálogo
de
recambio**

Ident-Nr. 161228 R7087 R7088 R7089



Fig	Part-No.	Qty.	Description	Remark	validity	trucks
▶			FRAME			
▶			STEERING AXLE			
▶			GEAR DRIVE - REORDER 0172185			
▶			TYRES			
▶			ACCEL.+BRAKING CONTR.			
▶			STEERING SYSTEM			
▶			BRAKING SYSTEM			
▶			ELECTR.INSTALLATION			
▶			ADD.ELECTRICAL INSTALLATION			
▶			HYDRAULIC SYSTEM			
▶			ELECTRIC MOTOR SYSTEM			
▶			ENGINE SYSTEM			
▶			ADD. HYDRAULICS			
▶			MAST			
▶			PLATE			
▶			FORK			
▶			MAST BEARING			
▶			NEIGZYLINDER			
▶			ATTACHMENT			
▶			ACCESSORY			

Fig	Part-No.	Qty.	Description	Remark	validity	trucks
			FRAME			
			FRAME	German Army		
			COUNTERWEIGHT	6.0 t		
			COUNTERWEIGHT	7.0-8.0 t		
			COUNTERWEIGHT	6.0 t; coupling type 245		
			COUNTERWEIGHT	7.0-8.0 t; coupling type 245		
			COUNTERWEIGHT	7.0-8.0 t; ballast: 609 kg		
			COUNTERWEIGHT	7.0-8.0 t; ballast: 614 kg		
			COUNTERWEIGHT	7.0-8.0 t; ballast: 670 kg		
			COUNTERWEIGHT	7.0-8.0 t; eyebolts		
			COUNTERWEIGHT	7.0-8.0 t; German Army		
			COUNTERWEIGHT	7.0-8.0 t; ballast: 572 kg; German Army		
			RETROFIT			
			HOOD			
			RESERVOIR			
			MUDGUARDS	track: 1524, 1544 and 1560 mm		
			MUDGUARDS	track: 1708 mm		
			MUDGUARDS	German Army		
			WHEEL CHOCK			
			CHECK CHAIN	German Army		
			FLOORPLATE	series		
			FLOORPLATE	two-pedal control		
			COVERING	series		
			COVERING	engine preheater		
			COVERING	top-mounted exhaust system		
			COVERING	top-mounted exhaust system; special		
			COVERING	top-mounted exhaust system; German Army		
			COVERING	DONALDSON		
			COVERING	Donaldson top-mounted exhaust system		
			DRIVER	ISRI 6000/516; imitation leather		
			DRIVER	ISRI 6000/516; fabric		
			DRIVER	ISRI 6000/516; imitation leather; cabin		
			DRIVER	ISRI 6000/516; fabric; cabin		
			RESTRAINT SYSTEM	saf-T 7044-46/7087-89		
			OVERHEAD GUARD	overview 80 V; R6327-29		
			OVERHEAD GUARD	RAL 7021; SERIES		
			OVERHEAD GUARD	RAL 7021; SERIES		
			OVERHEAD GUARD	RAL 7021; RAL 2000		
			OVERHEAD GUARD	RAL 7021; RAL 2000		

Fig	Part-No.	Qty.	Description	Remark	validity	trucks
			OVERHEAD GUARD	RAL 6031		
			OVERHEAD GUARD	RAL 7021; weather protection cabin		
			OVERHEAD GUARD	RAL 7021; weather protection cabin		
			OVERHEAD GUARD	RAL 7021; weather protection cabin; cover: 810x540 mm		
			OVERHEAD GUARD	RAL 6031 German Army		
			TERMINAL BOARD	R70		
			TERMINAL BOARD	R70; with lighting		
			RETROFIT	sheet metal roof cover		
			RETROFIT	glass roof cover 10 mm		
			HANDLE	right		
			HANDLE	left		
			GUIDE BRACKET	DaimlerChrysler		
			SCREEN GRID	top		
			SCREEN GRID	front		
			RETROFIT	cabin		
			CANOPY			
			COVERING PLATE	rear pillar covers		
			COVERING PLATE	cabin		
			CAB			
			WINDSCREEN	Macrolon		
			REAR WINDOW			
			TRANSPARENT TARPAULIN			
			TRANSPARENT TARPAULIN	left		
			DOOR	right		
			CABIN			
			WINDSHIELDWIPER	top		
			CABIN	German Army		
			CABIN	door RAL 9003		
			RETROFIT	defroster; front		
			MIRROR	smooth: 185x130 mm		
			MIRROR	smooth: 185x130 mm		
			MIRROR	268x160mm; arched		
			MIRROR	260x135 mm; panorama		
			MIRROR	260x135 mm; panorama		
			MIRROR	265x160 mm		
			MIRROR	265x160 mm		
			MIRROR	265x160 mm		
			MIRROR	nonbreakable: 220x160 mm		
			MIRROR	220x160 mm; VM2		
			MIRROR	265x160 mm		

Fig	Part-No.	Qty.	Description	Remark	validity	trucks
▶			MIRROR	265x160 mm		
▶			WINDSCREEN WASHER	German Army		
▶			MUFFLER,COMPL	overhead guard; silencer bottom-mounted		
▶			MUFFLER,COMPL	overhead guard; silencer top-mounted		
▶			MUFFLER,COMPL	cabin; silencer bottom-mounted		
▶			MUFFLER,COMPL	cabin; silencer top-mounted		
▶			MUFFLER,COMPL	cabin; silencer bottom-mounted; two-pedal control		
▶			MUFFLER,COMPL	cabin; silencer top-mounted; two-pedal control		

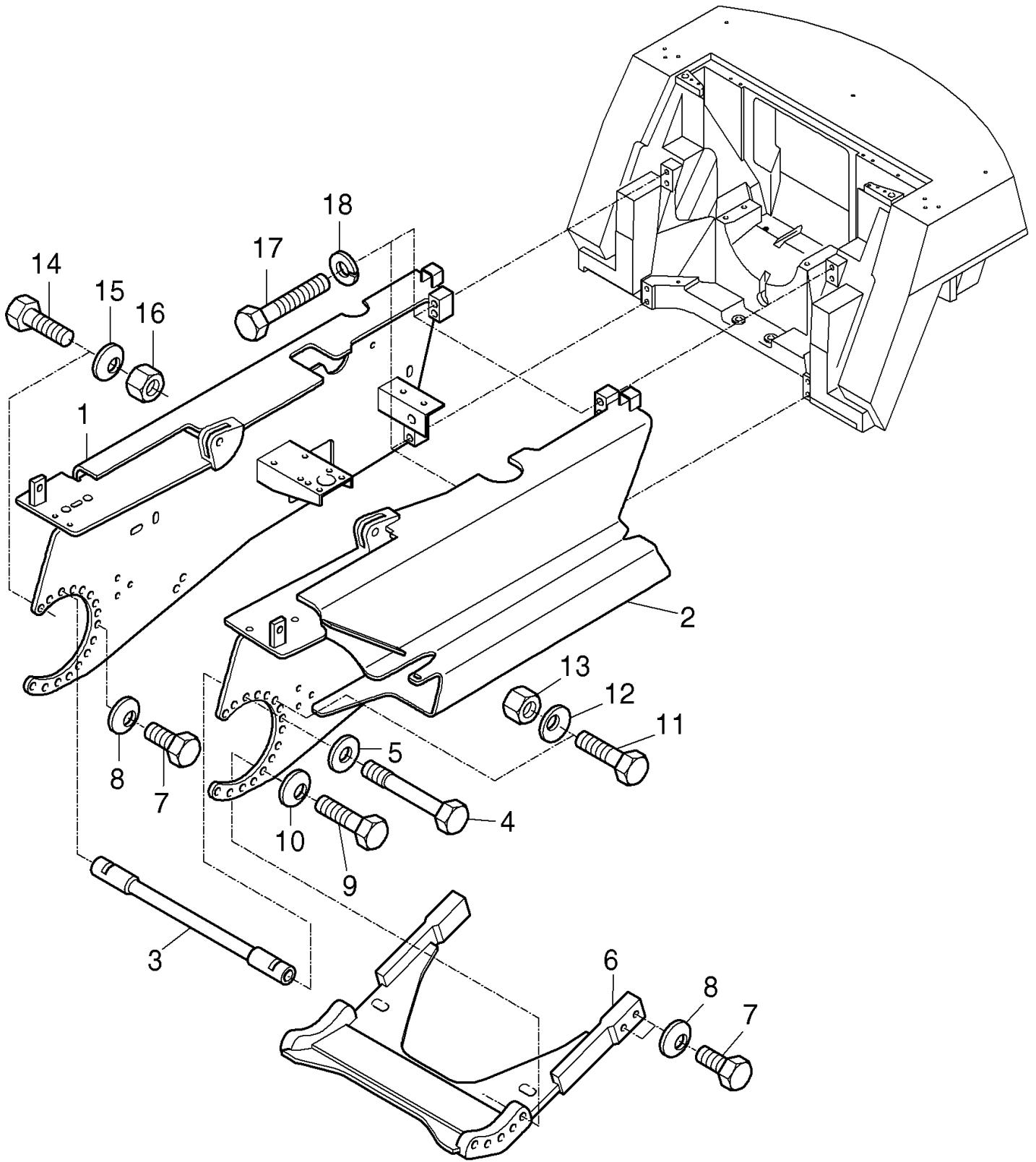


Fig	Part-No.	Qty.	Description	Remark	validity	trucks
1	0624706	1	CHASSIS, WD	right		
2	0621466	1	CHASSIS, WD	left		
3	0339574	1	STAY STRUT			
4	0339595	2	HEXAGON BOLT			
5	0524547	2	WASHER			
6	0346838	1	GIRTH			
7	0511769	16	HEXAGON HEAD SCREW			
8	0522569	16	WASHER			
9	0505425	10	HEXAGON HEAD SCREW			
10	0522569	10	WASHER			
11	0524441	6	HEXAGON HEAD SCREW			
12	0522569	6	WASHER			
13	0519152	6	HEXAGON NUT			
14	0504221	2	HEXAGON HEAD SCREW			
15	0522569	2	WASHER			
16	0514968	2	HEXAGON NUT			
17	0524628	8	HEXAGON HEAD SCREW			
18	0500961	8	SPRING LOCK WASHER			

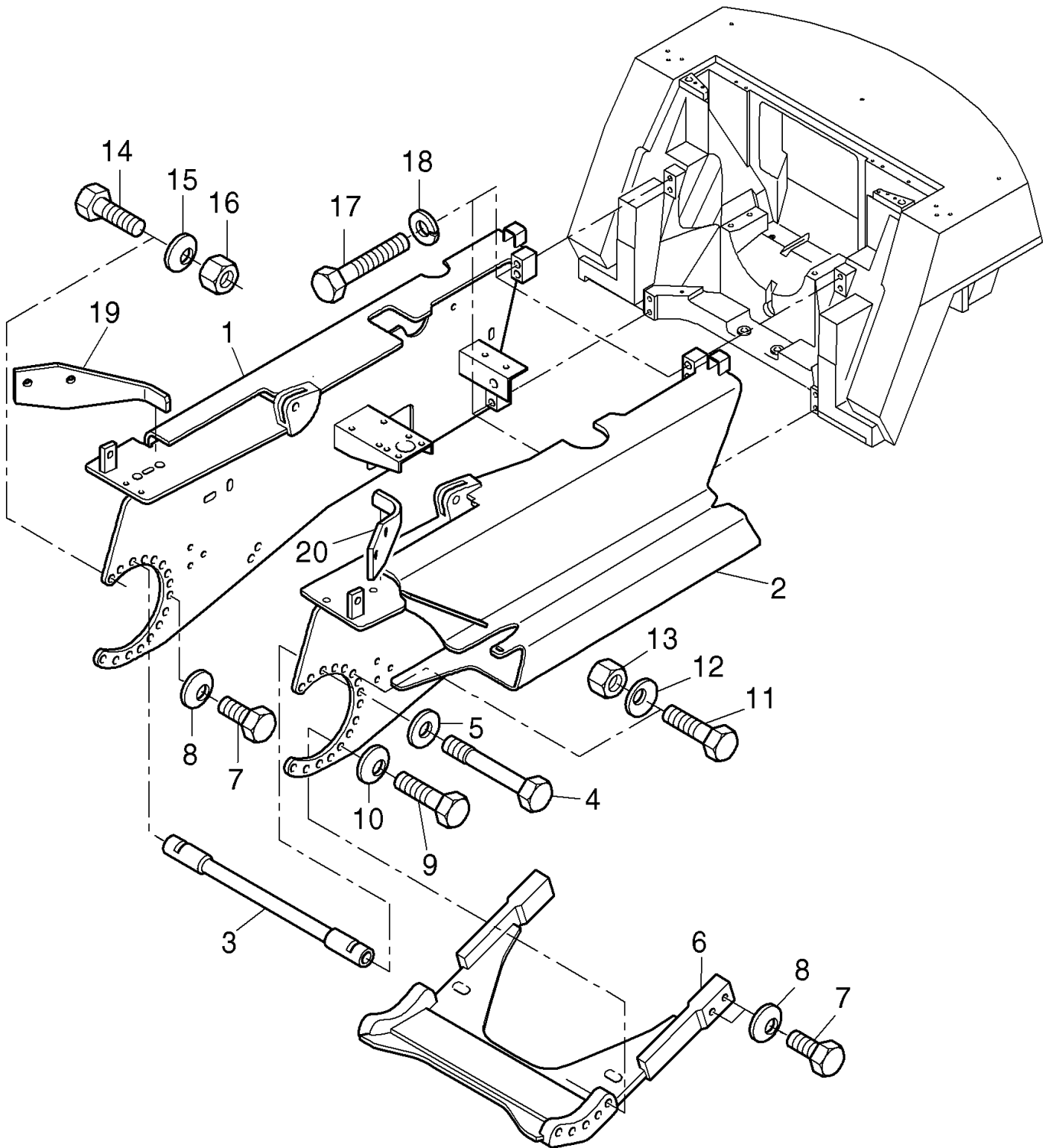
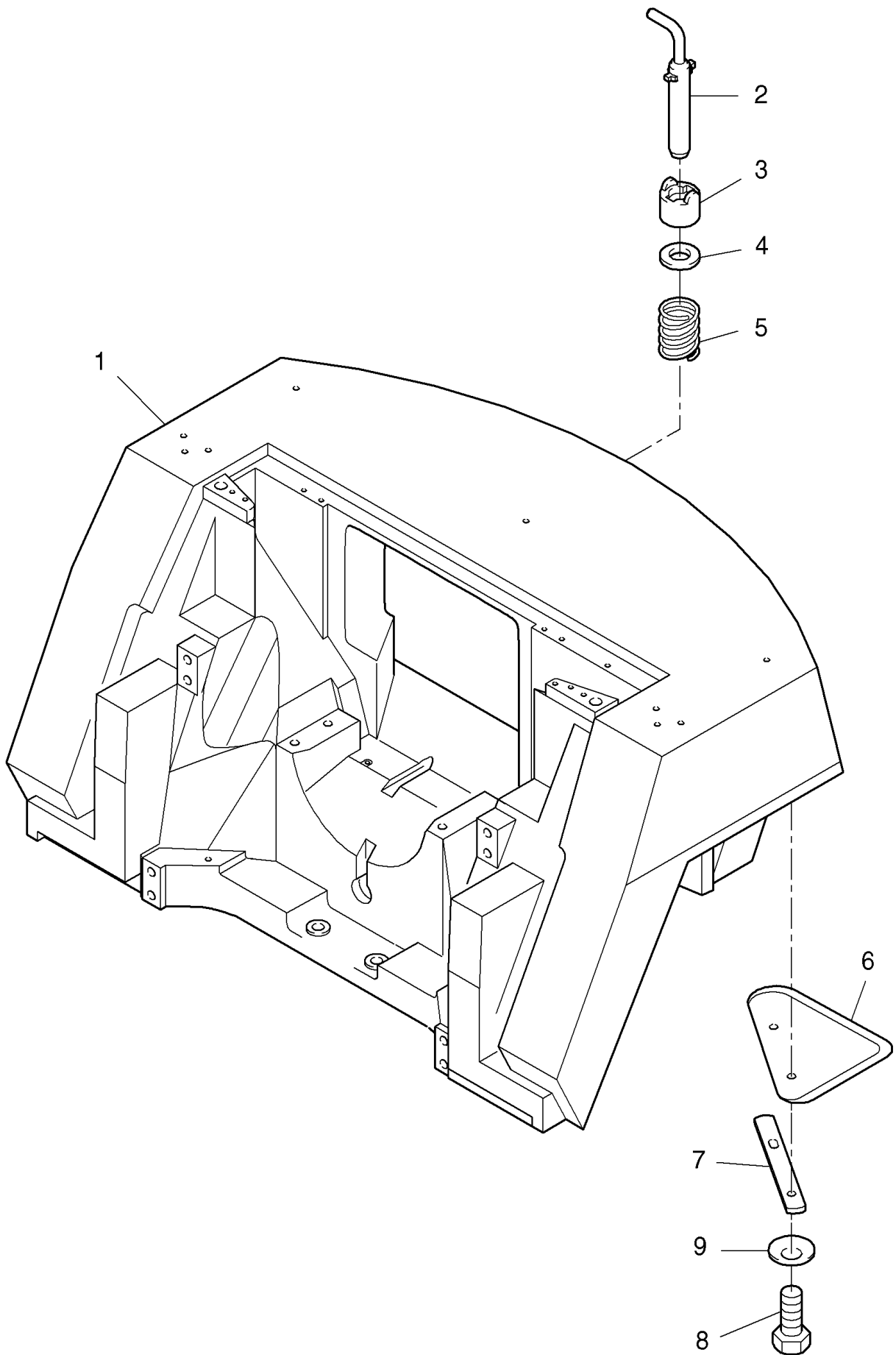
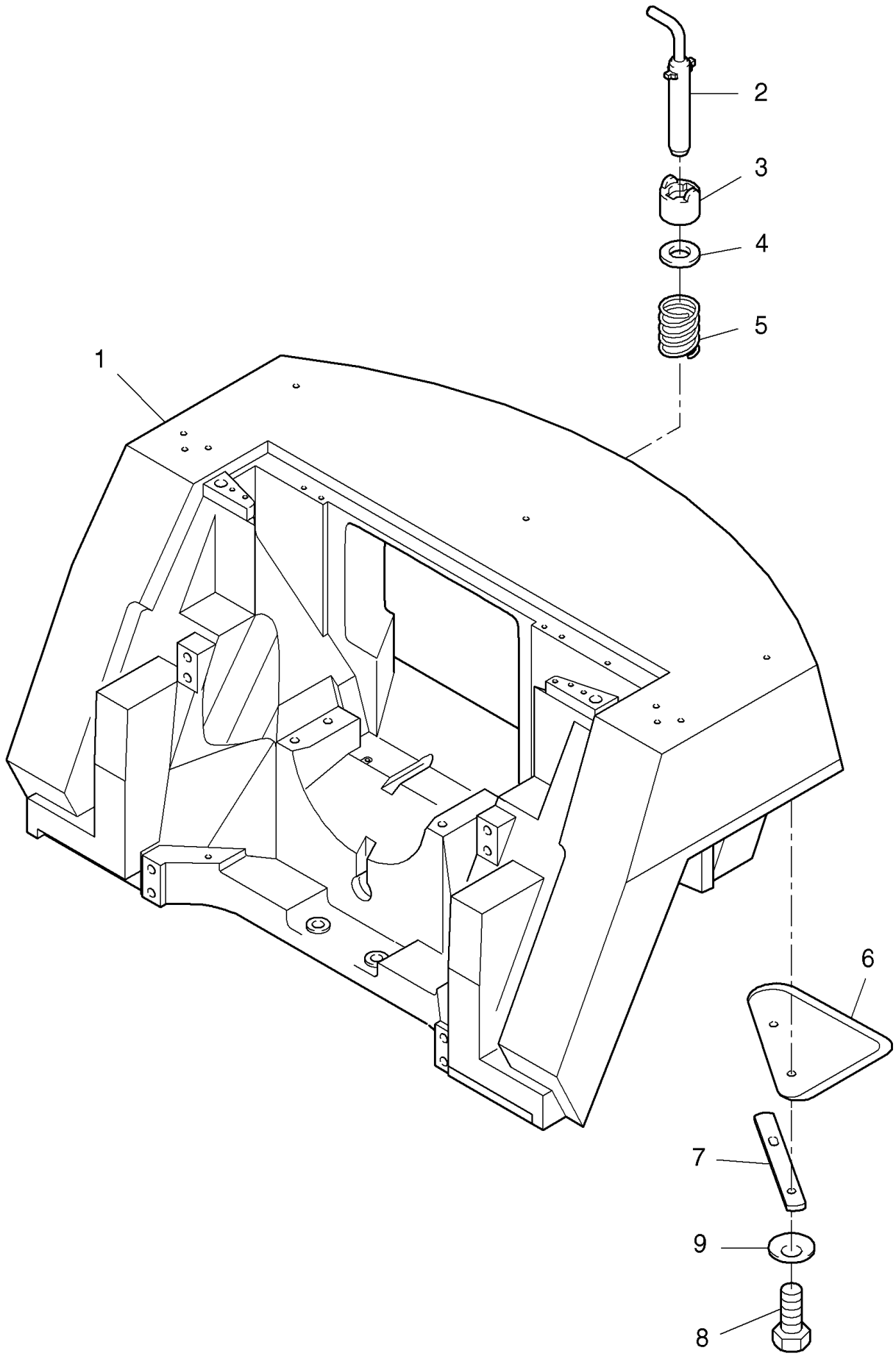


Fig	Part-No.	Qty.	Description	Remark	validity	trucks
1	0624706	1	CHASSIS, WD	right		
2	0621466	1	CHASSIS, WD	left		
3	0339574	1	STAY STRUT			
4	0339595	2	HEXAGON BOLT			
5	0524547	2	WASHER			
6	0346838	1	GIRTH			
7	0511769	16	HEXAGON HEAD SCREW			
8	0522569	16	WASHER			
9	0505425	10	HEXAGON HEAD SCREW			
10	0522569	10	WASHER			
11	0524441	6	HEXAGON HEAD SCREW			
12	0522569	6	WASHER			
13	0519152	6	HEXAGON NUT			
14	0504221	2	HEXAGON HEAD SCREW			
15	0522569	2	WASHER			
16	0514968	2	HEXAGON NUT			
17	0524628	8	HEXAGON HEAD SCREW			
18	0500961	8	SPRING LOCK WASHER			
19	0651827	1	ANGLE PLATE	right		
20	0651844	1	ANGLE PLATE	left		



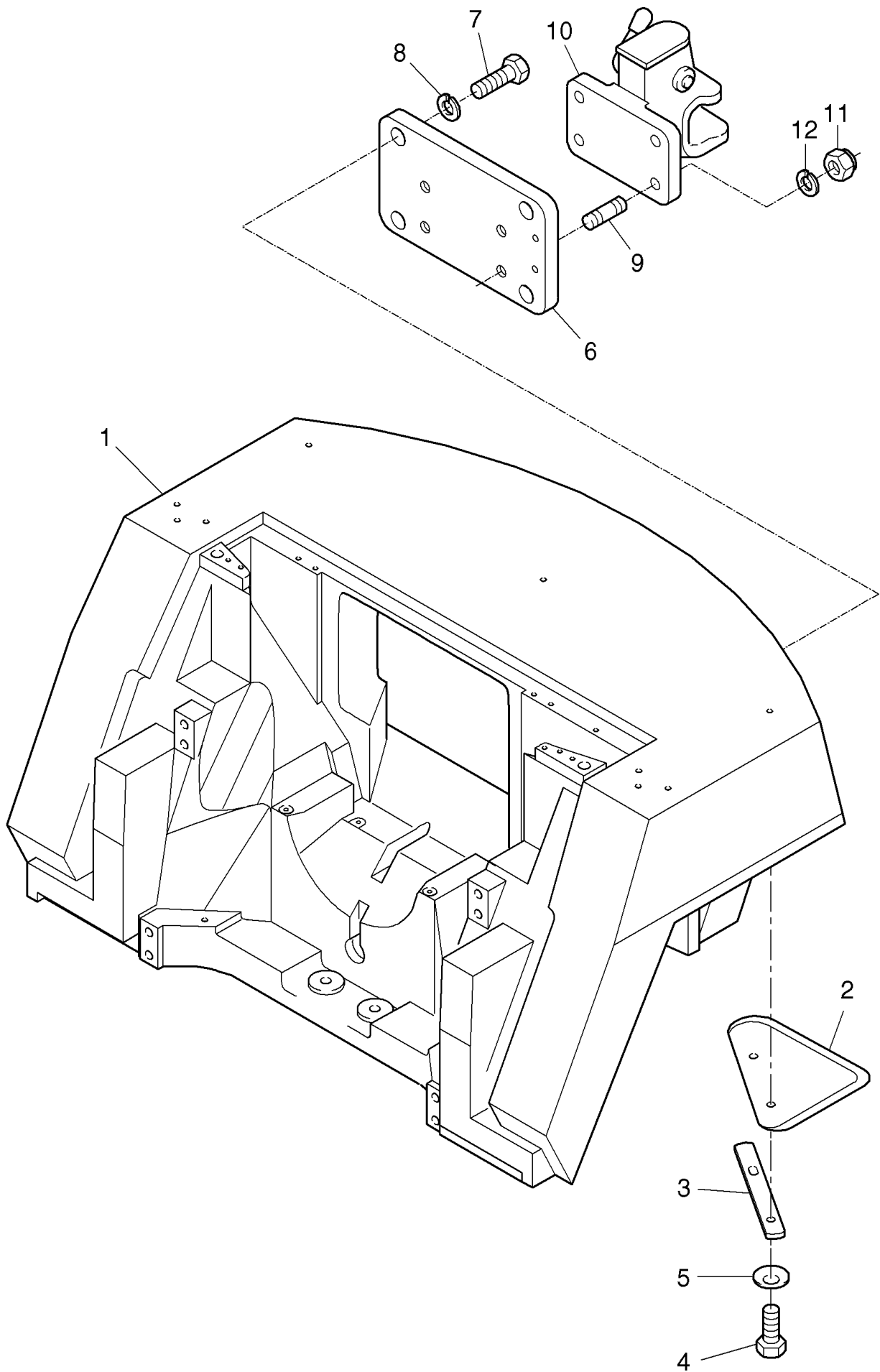
10676

Fig	Part-No.	Qty.	Description	Remark	validity	trucks
1	0621930	1	COUNTERWEIGHT			
2	0302453	1	BOLT			
3	0076263	1	SPRING COVER			
4	0502056	1	WASHER			
5	0070173	1	SPRING			
6	0304818	2	FENDER			
7	0376494	2	SUPPORT			
8	0501072	4	HEXAGON BOLT			
9	0519694	4	WASHER	DIN6796 10-FST MECH.VERZ.		



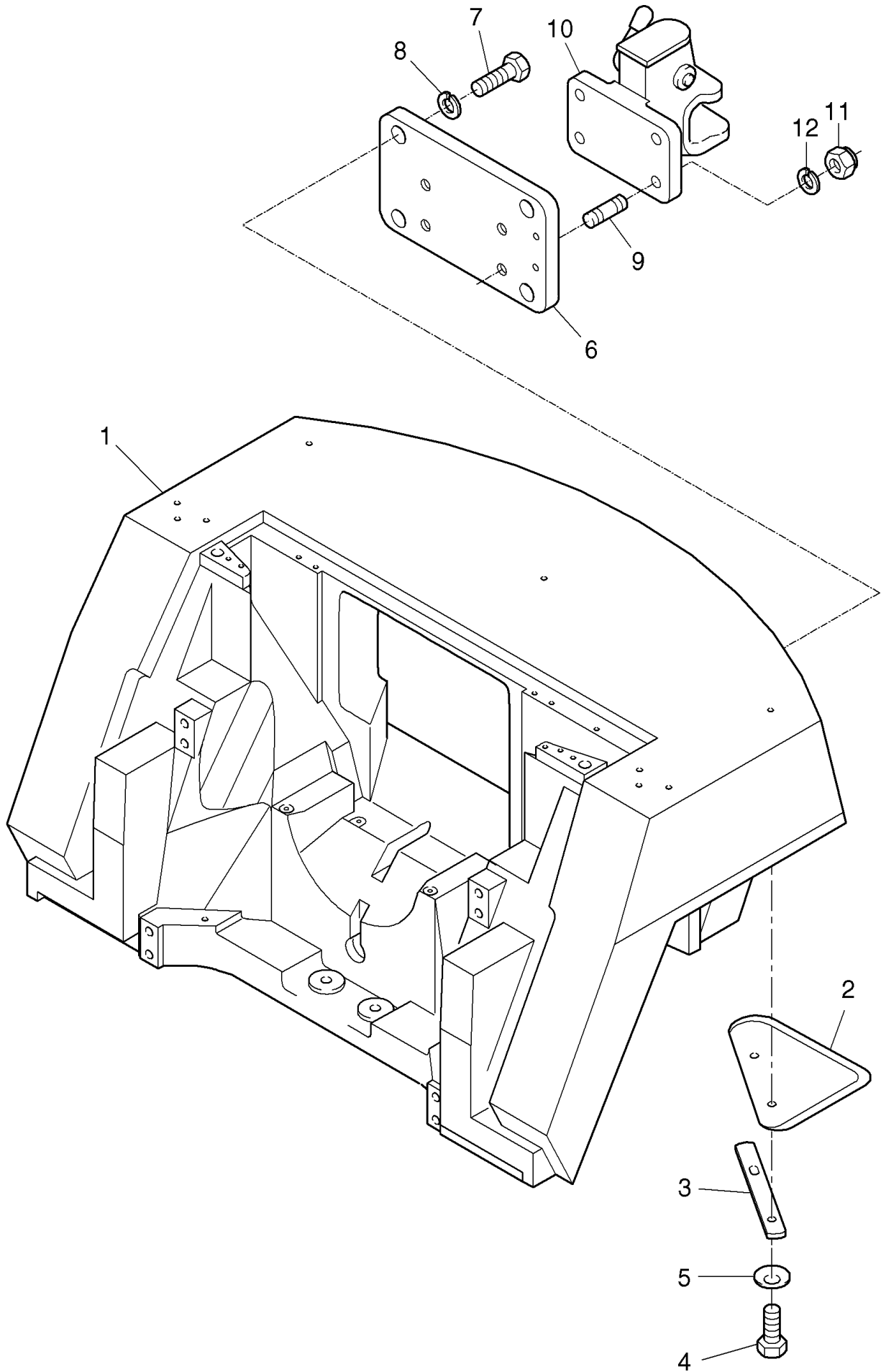
10676

Fig	Part-No.	Qty.	Description	Remark	validity	trucks
1	0621452	1	COUNTERWEIGHT			
2	0302453	1	BOLT			
3	0076263	1	SPRING COVER			
4	0502056	1	WASHER			
5	0070173	1	SPRING			
6	0304818	2	FENDER			
7	0376494	2	SUPPORT			
8	0501072	4	HEXAGON BOLT			
9	0519694	4	WASHER	DIN6796 10-FST MECH.VERZ.		



11707

Fig	Part-No.	Qty.	Description	Remark	validity	trucks
1	0621930	1	COUNTERWEIGHT			
2	0304818	2	FENDER			
3	0376494	2	SUPPORT			
4	0501072	4	HEXAGON BOLT			
5	0519694	4	WASHER	DIN6796 10-FST MECH.VERZ.		
6	0656734	1	PLATE			
7	0501168	4	HEXAGON BOLT			
8	0500960	4	DETENT RING			
9	0526702	4	STUD			
10	0525483	1	TRAILER COUPLING			
11	0525718	4	HEXAGON NUT			
12	0500955	4	DETENT RING			



11707

counterweight
7.0-8.0 t; coupling type 245

Fig	Part-No.	Qty.	Description	Remark	validity	trucks
1	0639832	1	COUNTERWEIGHT			
2	0304818	2	FENDER			
3	0376494	2	SUPPORT			
4	0501072	4	HEXAGON BOLT			
5	0519694	4	WASHER	DIN6796 10-FST MECH.VERZ.		
6	0600299	1	PLATE			
7	0501168	4	HEXAGON BOLT			
8	0500960	4	DETENT RING			
9	0526702	4	STUD			
10	0525483	1	TRAILER COUPLING			
11	0525718	4	HEXAGON NUT			
12	0500955	4	DETENT RING			