

产品图册

PARTS BOOK



SCC500E-R1 III 050302履带起重机总成

Crawler crane assembly

设备编号 Equipment No.

11CC00500049

TABLE OF CONTENTS

Group 1 Crawler crane assembly	1-1
10079390275 Crawler crane assembly	1-2
Group 2 Left crawler frame assembly	2-1
11321416 Left crawler frame assembly	2-2
21024572 Drive, track	2-6
21024577 Wheel, drive	2-8
21005777 Roller, support, Q50.1.3	2-10
21001394 Shim, adjusting	2-12
21007095 Roller, track	2-14
21001001 Mechanism, tensioning	2-16
10262224 Assembly, wheel, guide, Q50.1.6.2	2-18
21005008 Subassembly, chain, crawler	2-20
21021939 Assembly, Pedal	2-22
Group 3 Right crawler frame assembly	3-1
11321421 Right crawler frame assembly	3-2
Group 4 Assembly, chassis	4-1
21007957 Assembly, chassis	4-2
21007960 Beam, extension	4-4

21007958 Chassis	4-6
21018905 Indicator, level, QF-1(5/1000)	4-10
Group 5 Platform, main	5-1
21010916 Platform, main	5-2
21011375 System, lubrication, winch	5-4
11126980 Switch, limit, bail	5-6
21024821 Switch, proximity, NBB10-30GM60-A2	5-8
 Group 6 Catwalks, left	 6-1
10213407 Catwalks, left	6-2
10213393 Support, catwalks, left	6-6
11285374 Bracket	6-12
 Group 7 Catwalks, right	 7-1
10076554 Catwalks, right	7-2
 Group 8 System, engine	 8-1
10210831 System, engine	8-2
10070639 System, cooling	8-4
21029903 Radiator, ZH1000 × 410 × 710-S75Z35Q/SY015028	8-6
21025061 Connector, 15691KSW-12-12 Z3/4 inch × 14	8-8
A229900006536 Fan, 660/9-9/30/PAG/K7ZL/25.4/4 × 10/BC60/B	8-10
10070664 System, fuel	8-12
21022536 Assembly, tank, fuel, 1101010-SY-230	8-14
60035544 Separator, water, FH23315M	8-16

21038065 System, intake, air	8-18
A222100000456 Filter, air, KL18	8-22
A222100000457 Pre-filter, air, GR283 φ 133	8-24
10070666 System, exhaust	8-26
21030208 Silencer, SY127 φ 258 × 620-18-10	8-28
21027172 Engine, QSB6.7-C170 127kW EPA III Cummins	8-30
10210725 Installation, engine, diesel	8-32
21030210 Bracket	8-34
21016451 Damper, vibration, E300	8-36
Group 9 Installation, coupling	9-1
10210832 Installation, coupling	9-2
Group 10 Assembly, controls	10-1
10131125 Assembly, controls	10-2
A249900001653 Assembly, controls, X-Q150.24	10-4
21030509 Seat, suspension, mechanical, (with safety limit switch)	10-8
A229900005841 Guide rail, seat, 2048090	10-10
A229900005842 Rod, pendant, seat, 2049221	10-12
B229900004075 Guide rail, seat, 2048089	10-14
Group 11 Cab	11-1
10110675 Cab	11-2
A229900010646 Cab	11-4
10125440 Glass parts assembly	11-8
10126065 Assembly, accessories, door, sliding	11-10
10126063 Partial assembly of electric components	11-12

60041170 wiper system	11-14
60041171 wiper system	11-16
10183944 Device, lever, control	11-18
A222000000061 Damper, oil, silicone, XPA-39870	11-20
Group 12 Panels & Covers	12-1
10204995 Panels & Covers	12-2
A229900010546 Panels & Covers, X-Q50E.26	12-4
10204868 Left hood	12-6
10204595 Door welding	12-10
10204601 Assembly, mirror, rearview	12-12
10204993 Side door welding	12-14
Group 13 System, air conditioning	13-1
10694144 System, air conditioning	13-2
10694134 Assembly, air conditioner	13-4
10693485 Assembly, condenser-cistern, TB131.000.00	13-6
10694132 Subassembly, support, compressor, air	13-8
Group 14 Returning mechanism	14-1
11330532 Returning mechanism	14-2
21003494 Ring, slewing, 013.60.1465.021.24.11F1013.60.	14-4
21011097 Pipe, suction, oil, slewing ring	14-6
21003706 Assembly, reducer, GFB40T2B60-10+A2FE90/61W-VAL020	14-8
11330533 Oil cylinder installation seat	14-10
Group 15 Mechanism, hoisting	15-1

21039100 Mechanism, hoisting	15-2
21030394 Reductor assembly GFT40W2B48-05+A2FE10	15-4
21001843 Drum, auxiliary	15-6
Group 16 Mechanism, hoisting	16-1
Group 17 Mechanism, luffing	17-1
21000619 Mechanism, luffing	17-2
21003709 Assembly, reducer, GFT17W2B45-15+A2FE63/61W-VZL181J-K+BVD20W17L/41B-V02K00D0600S00	17-4
21024270 Device, locking, pawl	17-6
Group 18 Counterweight	18-1
10839042 Counterweight	18-2
10998607 Device, locking, TB601.000.00	18-4
Group 19 A-frame	19-1
21010267 A-frame	19-2
21010755 Assembly, pulley	19-6
21000053 Device, suspension, A-frame	19-8
21010178 Pipe, suction, oil	19-10
Group 20 Boom, basic	20-1
10096557 Boom, basic	20-2
21011763 Pin, lock, TL021.004.00	20-4
21000618 Pulley block	20-6
10058406 Tip, boom	20-8

10058412 Weldment, tip, boom	20-14
10058418 Base, boom	20-20
10058423 Base, boom	20-24
Group 21 Circuit, electrical, platform	
11280214 Circuit, electrical, platform	21-2
11250698 Installation, indicator, alarm, slewing	21-8
11250360 Assembly, plug, distributor, CAN-bus	21-10
11250975 Assembly, socket, waterproof, 3-wire	21-12
A241000000272 Plug, seal, 281934-2	21-14
11260841 Assembly, harness, wire, engine	21-16
11249451 Assembly, cabinet, electrical	21-20
11238233 Assembly, logger, data, TBCC.03	21-22
60004056 Pin, 282109-1	21-24
11249621 Installation, system, starting	21-26
11249598 Assembly, box, junction, contactor	21-28
21004310 Contactor, DC, MZJ-50A/006	21-32
21003566 Relay, 4RD-007-903-021	21-34
21027129 Switch, battery	21-36
11250370 Assembly, light, tri-color	21-38
11250609 Assembly, horn	21-40
10180818 Installation, gauge, level, oil	21-42
10237850 Installation, device, detecting, reverse, travel	21-44
11250895 Assembly, sensor, inclination	21-46
A810299000636 Assembly, sensor, inclination, SYTS-2K	21-48
11264194 Assembly, switch, pressure	21-50
B240100000015 Switch, pressure, 016640503-1-019	21-52
11259376 Assembly, sensor, pressure, servo	21-54

B240600000352 Sensor, pressure, PT100R-14-LI3-H1131	21-56
11250977 Assembly, plug, waterproof, 2-wire	21-58
11259460 Assembly, work light, portable	21-60
11259448 Assembly, plug, connector, round, 4-core	21-62
10960967 Installation, sensor, temperature, oil	21-64
10562801 Installation, switch, proximity	21-66
11250984 Assembly, light, warning, audio-visual	21-68
11251180 Assembly, work-light, winch	21-70
Group 22 Circuit, electrical, boom	22-1
11254659 Circuit, electrical, boom	22-2
11508828 Installation, Anemoscope, Navigation light	22-4
11222279 Assembly, switch, limit, height, lifting	22-6
11222281 Device, heavy-punch	22-8
11254662 Box, junction	22-10
11254663 Drum, cable	22-12
60029295 Drum, cable, JT100C-Z	22-14
11254660 Assembly, cable, anemometer & pharos	22-16
11261671 Assembly, enclosed-base, heavy-duty, 6-core	22-18
11249394 Assembly, plug, 7-core, ITT	22-20
11254661 Assembly, drum, cable, platform	22-22
11258267 Assembly, cable	22-24
11259553 Assembly, cable, limit device, aux. winch	22-26
Group 23 LMI system, SLC1500	23-1
10704177 LMI system, SLC1500	23-2
10704178 Unit, central, LMI, SLC1500	23-4

10704179 Wiring, central unit, LMI, SLC1500	23-6
10704185 Assembly, sensor, pressure, SCC500	23-8
10704184 Assembly, sensor, angle	23-10
21015254 Plug, deconcentrator, CAN bus	23-12
A240600000293 Sensor, angle, ORS-CLM- ± 45-1A	23-14
60008046 LCD, 8.4 inch	23-16
Group 24 Assembly, cab	24-1
11277243 Assembly, cab	24-2
11261046 Installation, switch, rocker	24-4
60007617 Assembly, cap, protective, plug, 20-wire, ET20PSMQ/SY1149	24-6
11277107 Assembly, harness, wire, cab	24-8
11249386 Assembly, enclosed-base, heavy-duty, 24-core	24-10
11277113 Assembly, installation, console, left	24-12
11277111 Assembly, potentiometer	24-14
11277106 Installation, panel, light, indicator	24-16
10215139 Display	24-18
B241200001050 Assembly, cap, protective, plug, 4-wire, 282106-1Q/SY1149	24-20
11261051 Installation, pedal, accelerator	24-22
11277290 Assembly, installation, panel, control, right	24-24
11277110 Assembly, switch, ignition	24-26
11277112 Assembly, relay	24-28
60011818 Module, relay, power, ECS-10A	24-30
11250973 Assembly, plug, waterproof, 4-wire	24-32
11261066 Mechanism, interlock, seat	24-34
11259372 Assembly, switch, travel	24-36
B241200000922 Switch, travel	24-38
Group 25 Installation, system, monitoring	25-1

10446122 Installation, system, monitoring	25-2
10424694 Installation, camera, platform	25-4
A249900000964 Waterproof Camera	25-6
10637975 Installation, system, monitoring	25-8
Group 26 System, hydraulic, upperworks	26-1
10110605 System, hydraulic, upperworks	26-2
11287854 Pipe, suction, oil	26-10
11287765 Pipe, suction, oil	26-12
A220401000476 Valve, butterfly, GI-100JB919-75, latus rectum 100	26-14
21007371 Valve, multiway, M7-1567-30/6M7-22	26-16
21000744 Fitting, testing, CSHM14 x 1.5/WD	26-18
Group 27 Tank, hydraulic	27-1
10944315 Tank, hydraulic	27-2
21023452 Filter, oil, return, RFA-630 x 20F	27-8
21014204 Filter, air	27-10
A250100000042 Fluid level & temperature gauge, YWZ-160T	27-12
Group 28 Circuit, hydraulic, hoisting, main	28-1
10110596 Circuit, hydraulic, hoisting, main	28-2
Group 29 Undercarriages running hydraulic system	29-1
11341006 Undercarriages running hydraulic system	29-2
11265350 Crawler telescopic oil cylinder	29-10
Group 30 Servo system	30-1

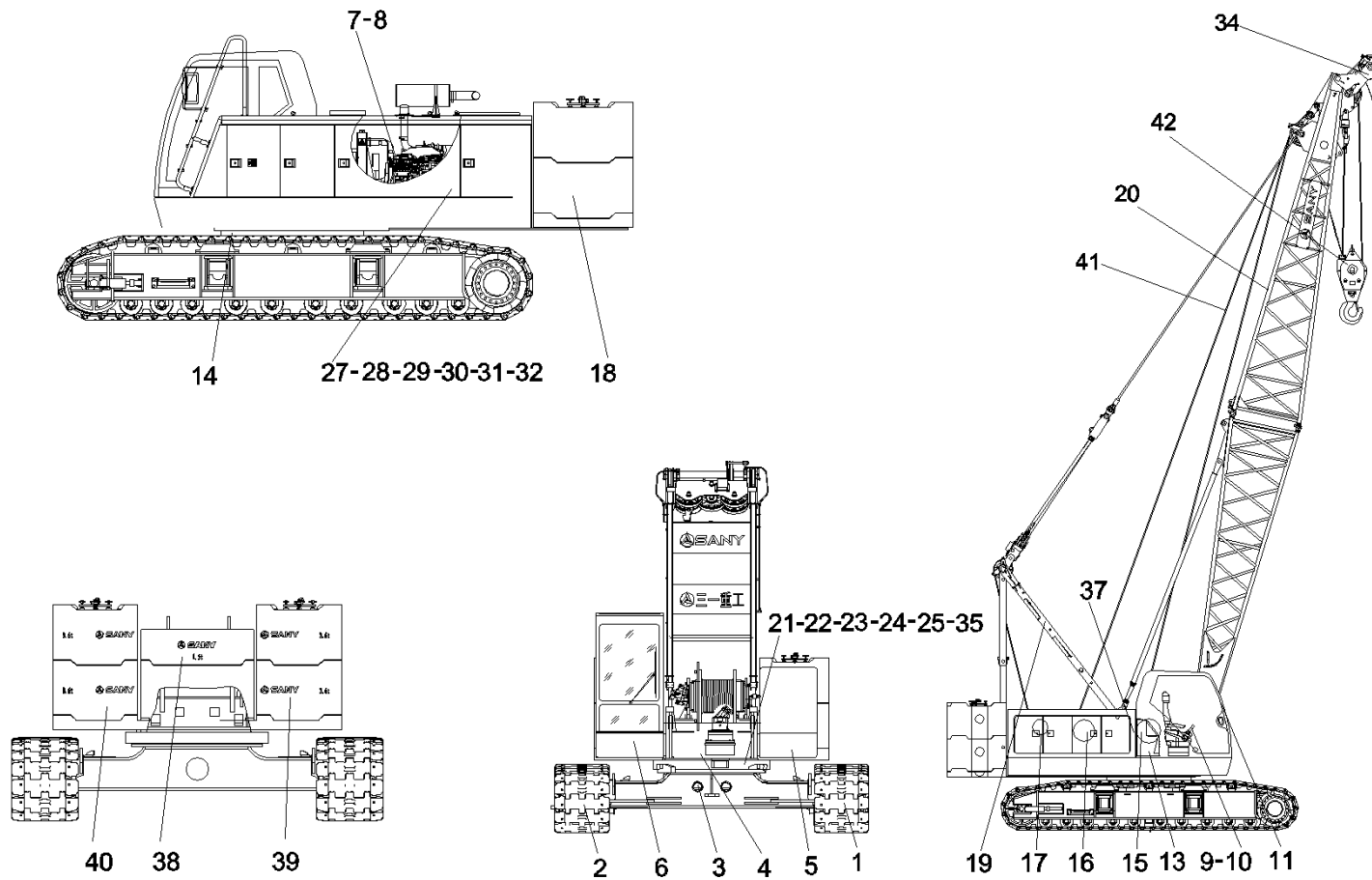
11341009 Servo system	30-2
A229900005740 Fitting, measuring, pressure	30-12
11277016	30-14
21026010 Set I , accumulator, TB303.200.00	30-16
10058225 Valve, rotary, slow	30-18
10120181 Valve, control, direction, traveling	30-20
21027144 Vavle group (1), safety control	30-22
A220402000067 Valve, control, directional, solenoid	30-24
11277759 Rotary lock cylinder	30-26
10057483 Manifold, valve, control, solenoid, cylinder, pawl, TB302.400.00	30-28
 Group 31 Circuit, hydraulic, radiator	 31-1
10088684 Circuit, hydraulic, radiator	31-2
10060478 Manifold, valve, control, motor, fan, TB301.500.00	31-8
 Group 32 Extension, jib	 32-1
21003575 Extension, jib	32-2
 Group 33 Circuit, electrical, jib, extension	 33-1
11254667 Circuit, electrical, jib, extension	33-2
11222282 Assembly, switch, limit, height, lifting	33-4
 Group 34 System, monitoring, remote	 34-1
10507201 System, monitoring, remote	34-2
 Group 35	 35-1

11573343	35-2
Group 36 2.7t right counterweight	36-1
11570983 2.7t right counterweight	36-2
Group 37	37-1
11570979	37-2
Group 38 Rope, wire	38-1
11097517 Rope, wire	38-2
Group 39 Decal	39-1
11112558 Decal	39-2
11082028 Plate, identification, product	39-4
11082029 Symbol, alert, safety	39-6
11112547 Decal, operation & maintenance	39-12
11082031 Decal, weight & transport	39-16
11101866 Decal, connection, hydraulic	39-22
11049775 Decal, safety, electrical system	39-24
Group 40 Customized Parts	40-1
10096418 Section, intermediate, boom, 3m	40-4
21011763 Pin, lock, TL021.004.00	40-6
10096424 Cable, pendant, II	40-8
10096495 Section, intermediate, boom, 6m	40-10

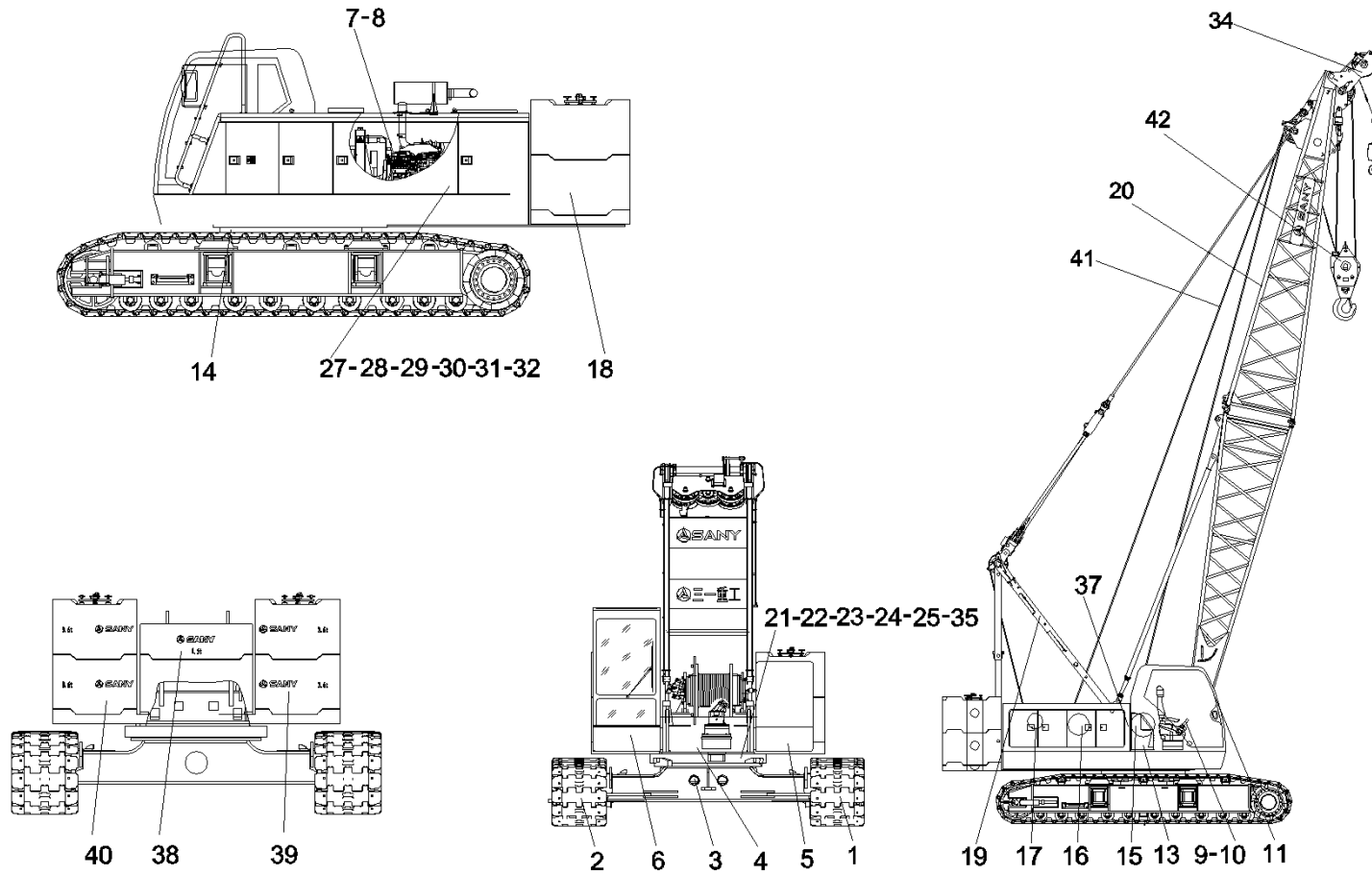
10096566 Cable, pendant, III	40-12
10096535 Section, intermediate, boom, 9m	40-14
10096719 Cable, pendant, IV	40-16
11028696 Jib, basic	40-18
21004737 Cable, pendant, I	40-20
21004741 Cable, pendant, II	40-22
21007062 Bracket	40-24
11028605 Base, jib	40-26
11028959 Section, intermediate, jib, fixed, 3m	40-28
21003575 Extension, jib	40-30
10709402 Hook, 5t	40-32
10712001 Assembly, hook, 150t	40-34
10706353 Assembly, pulley	40-38
10713327 Assembly, hook, 30t	40-40
10706344 Assembly, hook, 50t	40-44

Group 1

Crawler crane assembly



Item No.	Part No.	Description	Qty.	Remark
1	11321416	Left crawler frame assembly	1	
2	11321421	Right crawler frame assembly	1	
3	21007957	Assembly, chassis	1	
4	21010916	Platform, main	1	
5	10213407	Catwalks, left	1	
6	10076554	Catwalks, right	1	
7	10210831	System, engine	1	
8	10210832	Installation, coupling	1	
9	10131125	Assembly, controls	1	
10	10110675	Cab	1	
11	10204995	Panels & Covers	1	
13	10694144	System, air conditioning	1	
14	11330532	Returning mechanism	1	
15	21039100	Mechanism, hoisting	1	
16	21039100	Mechanism, hoisting	1	
17	21000619	Mechanism, luffing	1	
18	10839042	Counterweight	1	
19	21010267	A-frame	1	
20	10096557	Boom, basic	1	
21	11280214	Circuit, electrical, platform	1	
22	11254659	Circuit, electrical, boom	1	
23	10704177	LMI system, SLC1500	1	



Item No.	Part No.	Description	Qty.	Remark
24	11277243	Assembly, cab	1	
25	10446122	Installation, system, monitoring	1	
27	10110605	System, hydraulic, upperworks	1	
28	10944315	Tank, hydraulic	1	
29	10110596	Circuit, hydraulic, hoisting, main	1	
30	11341006	Undercarriages running hydraulic system	1	
31	11341009	Servo system	1	
32	10088684	Circuit, hydraulic, radiator	1	
34	21003575	Extension, jib	1	
35	11254667	Circuit, electrical, jib, extension	1	
37	10507201	System, monitoring, remote	1	
38	11573343		1	
39	11570983	2.7t right counterweight	2	
40	11570979		2	
41	11097517	Rope, wire	1	
42	11112558	Decal	1	

