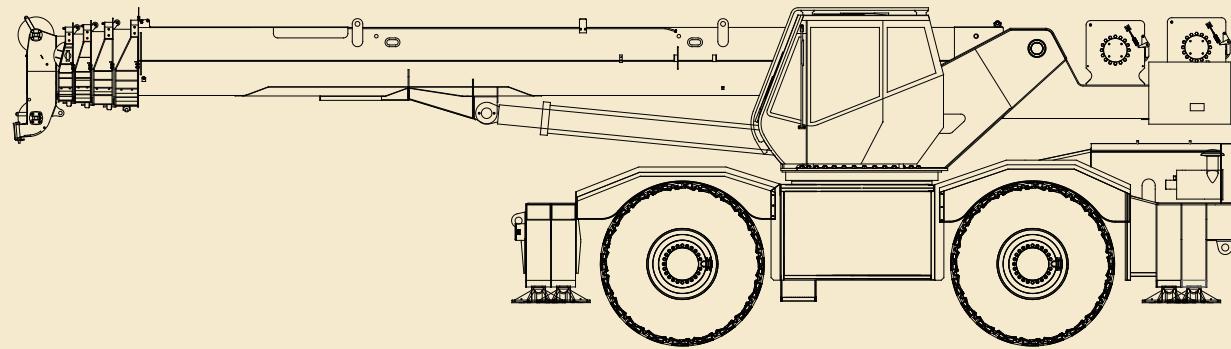




SANY

Quality Changes the World


Rough Terrain Crane



SRC865XL

Parts Book

www.sanygroup.com

 **SANY Mobile Cranes Co., Ltd.**

SANY Industry Town, Changsha Jinzhou Development Zone, Hunan, China
410600

E-mail: crd@sany.com.cn

Service Hotline (Complaint/Enquiry): 0086-4006 098 318



PARTS BOOK



Main body, SRC600L R ough Terrain Crane

Equipment No.11RC00553081

TABLE OF CONTENTS

Group 0 Introduction	0-1
Group 1 Main body, SRC600L Rough Terrain Crane	1-1
11919487 Main body, SRC600L Rough Terrain Crane	1-2
Group 2 Chassis, rough-terrain crane, 600L	2-1
11933129 Chassis, rough-terrain crane, 600L	2-2
10867533 Power system	2-4
11128620 Suspension, engine	2-6
60017156 Engine	2-8
B222100000303 Filter, engine oil	2-10
10860005 Supply system, oil	2-12
60099382 Radiator, fuel	2-16
A222100000198 Separator, oil-water	2-18
10857992 Intake system, air	2-20
10858986 System, exhaust	2-24
10135646 Tie GP, cable, air reservoir	2-26
10861336 Cooling system	2-28
60019550 Radiator	2-32
10940330 Power train system	2-34
10895004 Gearbox & suspension	2-36
60017259 Gearbox, shift, power	2-40

60017258 Torque converter, hydraulic force 2-42

B229900001004 Radiator 2-48

10864693 Drive shaft device 2-50

11931600 Frame construction 2-52

11446141 Platform & accessories 2-54

11806893 Hood, engine 2-64

11930840 Parts, peripheral, frame 2-68

11931019 Outrigger GP, moveable 2-72

10912740 Tray GP, outrigger 2-74

11216277 Cylinder, vertical 2-76

11208025 Cylinder, outrigger, horizontal 2-78

11612274 Welding diagram, frame and peripheral parts 2-80

10911240 Suspension, axle 2-82

10911244 Suspension GP, front 2-84

10869953 Cylinder, steering 2-86

60017257 Axle GP, front 2-88

10911257 Suspension GP, rear 2-90

10910111 Cylinder, suspension 2-94

11168877 Cylinder, steering 2-96

60017256 Axle GP, rear 2-98

10911264 Wheel & tire 2-100

11866727 Hydraulic system, chassis 2-102

11582259 Valve GP, switch, brake 2-104

10901024 Valve GP, control, steering 2-106

11140975 Pipeline, chassis 2-108

11140675 Oilway, main 2-110

B222100000318 Filter 2-116

11855468 Oilway, valve, outrigger 2-118

11136246 Oilway, steering	2-120
11136391 Oilway, suspension	2-124
11139333 Pipeline, oil suction	2-128
11137228 Oilway, control	2-132
11137475 Oilway, motor, radiator	2-136
B220501000269 Motor, gear	2-138
11137524 Oilway, brake	2-140
11139472 Oilway, drain & return	2-146
10176373 Valve GP, control, air conditioner	2-150
11351823 Valve GP, relief, main	2-152
B220400000150 Valve, reversing	2-154
10901200 valve GP, flow collecting	2-156
10082391 Plate GP, cover, standard, NG25	2-158
11128275 Valve GP, changeover, high & low speed	2-160
B220400000079 Valve, reversal, electromagnetic	2-162
11906739 Tank GP, hydraulic oil	2-164
60018376 Pump, plunger	2-166
10990304 Pipeline, outrigger	2-170
10901050 Valve GP, control, suspension lock	2-172
11931045 Electric system GP, chassis	2-174
11930567 Box, electric control, chassis	2-180
11246331 Accumulator GP	2-184
11215324 Harness, connection, power supply	2-186
Group 3 Electric system GP	3-1
11931282 Electric system GP	3-2
11568769 Installation diagram, electric appliances, boom	3-4
11568760 Harness, boom	3-6

11661100 Limiter GP, height	3-8
10044528 Weight	3-10
10044511 Weight	3-12
11141483 Harness, boom	3-14
11568790 Installation diagram, electric appliances, jib	3-16
11568773 Harness, jib	3-18
11568781 Harness, jib	3-20
10022380 Weight, circular	3-22
11158499 Installation diagram, electric appliances, instrument panel	3-24
11931267 Installation diagram, electric control cabinet	3-28
11931255 Installation diagram, electric appliances, turntable	3-30
10140655 Lamp AS, outline, rear	3-32
11568880 Installation diagram, electric appliances, handrail box	3-34
Group 4 Boom	4-1
11904719 Boom	4-2
10649855 Telescoping mechanism	4-26
10649337 Support, assembly, guide pulley	4-34
10587474 Pulley GP	4-36
10583572 Support, cylinder	4-38
10048659 Pulley GP	4-40
10048663 Pulley GP	4-42
11702693 Pulley device, boom-end	4-44
10898990 Pulley AS	4-46
10667459 Jib	4-48
A81970000631 Pulley AS	4-52

10047105 Cylinder GP, telescopic boom	4-54
10057852 Cylinder, telescoping	4-56
10057475 Cylinder, telescopic boom	4-60
10042264 Roller, rope holder	4-62
10042317 Roller, rope-pressing	4-64
10042316 Roller	4-66
10042078 Roller, rope holder	4-68
Group 5 Cab, operator's, superstructure	5-1
10934332 Cab, operator's, superstructure	5-2
10934333 Cab installation, operator's	5-4
11387816 Cab GP, driver's	5-6
11223713 Cab body, driver's	5-12
10934321 Air-conditioning system, operator's cab	5-16
60018067 Air conditioner	5-18
60018069 Heater	5-22
Group 6 Layout, label, complete vehicle	6-1
11926807 Layout, label, complete vehicle	6-2
Group 7 Turntable GP	7-1
11933848 Turntable GP	7-2
10896328 Installation, three hinged-shaft	7-6
11173384 Mirror GP, rearview, winch	7-8
11436588 Handrail, platform	7-10
11436450 Guardrail	7-12
11902386 Lock, turntable	7-14

10901759 Swing mechanism 7-16

A229900003814 Bearing, slewing 7-18

11933041 Weight AS, balance 7-20

60029452 Reducer GP 7-22

10054848 Cylinder, luffing 7-26

Group 8 Hydraulic system, superstructure 8-1

11933127 Hydraulic system, superstructure 8-2

11108521 Joint GP, rotate, central 8-6

10138668 Valve set, pressure reduction, pilot 8-10

11228383 Oilway, swing, steering 8-12

11227726 Steering GP 8-16

11227561 Valve GP, priority 8-18

11227796 Valve GP, reversing, swing 8-20

11234108 Valve GP, buffering, swing 8-22

11233038 Valve GP, refill, dual-circuit 8-24

11233050 Brake valve GP, parking 8-26

11233699 Valve, brake, swing 8-28

B22040000027 Valve, reversing 8-30

10138470 Valve GP, throttle, one-way 8-32

10118526 Pipeline, telescoping cylinder 8-34

10138670 Switch valve block, telescopic cylinder 8-36

B220401000349 Valve, reversal, electromagnetic 8-38

11211576 Valve GP, main 8-40

60025252 Valve, multiway 8-42

11929213 Oilway, main 8-44

B222100000317 Filter 8-50

11211177 Valve GP, balance, luffing 8-52

11932617 Oilway, return	8-54
11232535 Assembly GP, connector seat, 5-way	8-60
11232537 Block GP, oil collection	8-62
11384474 Connector body GP, 5-way	8-64
A810201062444 Seat assembly GP, adaptor, 4-way	8-66
A229900002327 Radiator	8-68
11464355 Valve GP, check	8-70
11932750 Oilway, control	8-72
11229535 Handle GP, pilot, right	8-78
11229626 Valve, pedal	8-80
11229613 Valve, pedal	8-82
11229392 Handle GP, pilot, left	8-84
11233709 Oil collection block GP, pilot	8-86
11931436 Oilway, brake	8-88
11209821 Bracket, accumulator	8-94
11209023 Bracket, accumulator	8-96
Group 9 Other Fittings	9-1

Group 0 Introduction

Parts Book Overview

This parts book manual provides illustrations and parts listings required for you to properly identify and order spare or replacement parts for your SANY machine.

If this book becomes damaged, lost or illegible, request a replacement copy from your SANY distributor as soon as possible.

If you sell this machine, be sure to give this parts book to the new owner.

Improvements in the design can lead to changes in detail which may not be reflected in this parts book. Always consult your SANY distributor for the latest available information on your equipment or if you have questions regarding information in this book.



Storing This Parts Book

This publication applies only to this machine model and should not be used with any other machines.

Always keep this parts book available for ready reference in case parts must be ordered, either in the workshop area or office and always be available to the maintenance and service personnel as required.

Parts Book Organization

This parts book is divided into the various groups of similar parts or assemblies:

Group 0 Introduction

Group 1 Main body, SRC600L Rough Terrain Crane

Group 2 Chassis, rough-terrain crane, 600L

Group 3 Electric system GP

Group 4 Boom

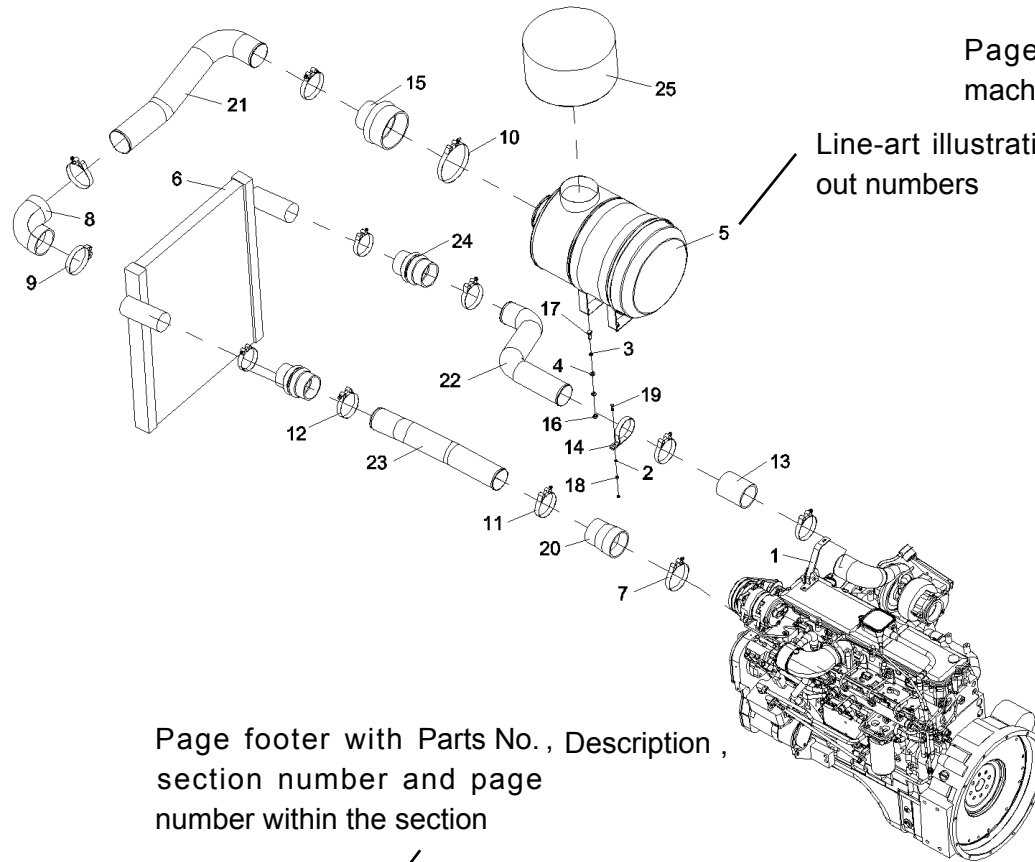
Group 5 Cab, operator's, superstructure

Group 6 Layout, label, complete vehicle

Group 7 Turntable GP

Group 8 Hydraulic system, superstructure

Group 9 Other Fittings



Page header with manual name, machine model and Sany logo

Line-art illustration with call-out numbers

Page footer with Parts No., Description, section number and page number within the section

page

10207320 Air inlet system (1/2)

2-20

Page header with manual name, machine model and Sany logo

Item No. column; matches call-out numbers on previous illustration page

Item No.	Part No.	Description	Qty.	Remark
1	10550459	Bracket	1	
2	A210405000006	Washer	1	
3	A210401000001	Washer	4	
4	A210405000011	Washer	8	
5	A222100000589	Air cleaner	1	
6	A229900003112	Radiator	1	
7	A229900004506	Hoop, T-type	1	
8	A820606010827	Rubber elbow	1	
9	A229900002263	T - Hoop	3	
10	A229900003895	Anchor ear, T-type	1	
11	A229900002222	Anchor ear, T-type	5	
12	A210855000052	T - Hoop	2	
13	A820606030699	Hose, straight, rubber	1	
14	A820101330777	Clamp, pipe, steel	1	
15	A820606030686	Tube, outlet, air cleaner	1	
16	A210307000017	Nut	4	
17	A210111000023	Bolt	4	
18	A210307000016	Nut	2	
19	A210111000081	Bolt	1	
20	10177596	Hose, rubber, variable diameter	1	
21	10206662	Bend tube, air intake	1	
22	10502088	Pipe, steel, air inlet, intercooler	1	

Remark column includes complement information of the part or assembly

Parts No. column; use this along with Parts No. to completely identify the part or assembly

Description column; use this along with description to completely identify the part or assembly

Qty. column indicates the number of each part used in this assembly



Page footer with parts No., description, section number and page number within the section

10207320 Air inlet system (1/2)	2-21
---------------------------------	------

Machine Information

The serial numbers and model numbers located on the machine components are the only numbers that your SANY distributor will need when ordering replacement parts or providing assistance for your equipment. Record this information either in this manual or another easy-to-access location for future use

A sample machine data plate is shown below and the location of that plate is shown on the following page.

		三一重工股份有限公司 SANY HEAVY INDUSTRY CO.,LTD.	
越野轮胎起重机 Rough Terrain Crane			
产品型号 Product Type	<input type="text"/>	发动机型号 Engine Model	<input type="text"/>
发动机额定功率 Engine Rated Power	<input type="text"/> kW / (r/min)		
整车装备质量 Complete Vehicle Curb Mass	<input type="text"/> lbs	最大设计总质量 Max. Designed Gross Mass	<input type="text"/> lbs
最大额定起重量/工作幅度 Max.Rated Lifting Capacity / Working Radius	<input type="text"/>		
外形尺寸(长×宽×高) Overall Dimension(L×W×H)	<input type="text"/>		
生产日期 Date of Production	<input type="text"/>	出厂编号 Number	<input type="text"/>
 中国制造 / Made in China			