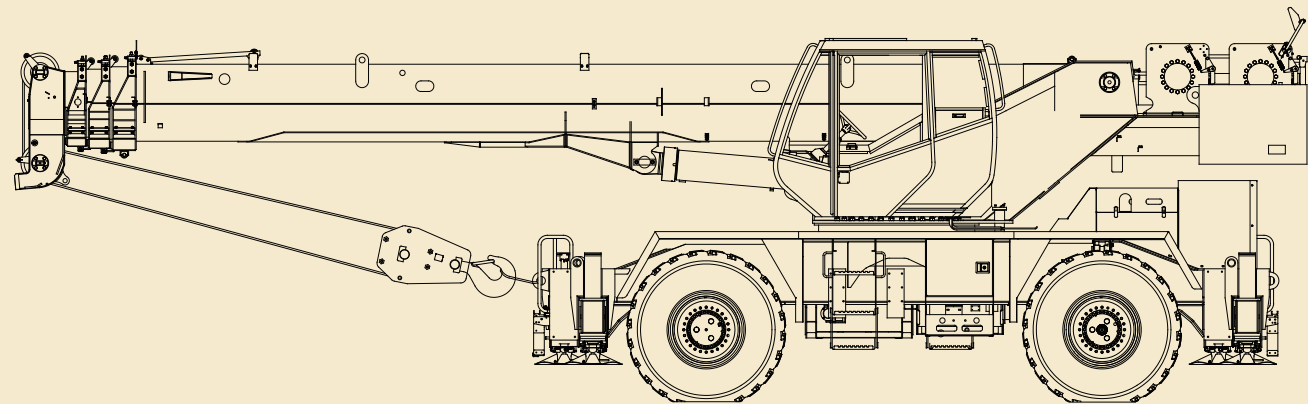




SANY

Quality Changes the World


Rough Terrain Crane



SRC840

Parts Book

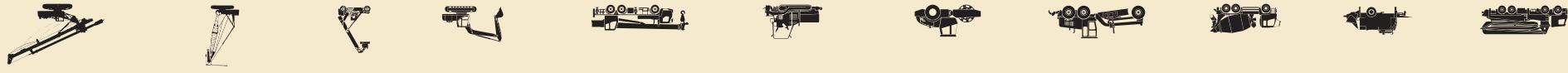
www.sanygroup.com

 **SANY Mobile Cranes Co., Ltd.**

SANY Industry Town, Changsha Jinzhou Development Zone, Hunan, China
410600

E-mail: crd@sany.com.cn

Service Hotline (Complaint/Enquiry): 0086-4006 098 318



PARTS BOOK



Crane main body, rough-terrain, SRC840

Equipment No.13RC00350006

TABLE OF CONTENTS

Group 0 Introduction 0-1

Group 1 Crane main body, rough-terrain, SRC840 1-1

12102859 Crane main body, rough-terrain, SRC840 1-2

Group 2 Boom GP 2-1

11556099 Boom GP 2-2

10669838 Roller, rope holder 2-18

10138100 Pulley GP 2-20

10138120 Wheel GP, guide 2-22

Group 3 Turntable 3-1

12104894 Turntable 3-2

11522280 Installation, shaft, three hinged 3-6

11518189 Handrail, platform 3-8

11518216 Guardrail 3-10

11537926 Anti-rotating device, turntable 3-12

11522183 Swing mechanism 3-14

60063767 Reducer 3-16

11514786 Weight AS, balance 3-20

11492003 Cylinder,luffing 3-22

11523072 Cylinder,swing-prevention,turntable 3-24

11683745 Installation, shield, main valve 3-26

11683585 Support III AS, main valve cover 3-28

11683558 Support II AS, main valve cover 3-30

11683532 Support I AS, main valve cover 3-32

11683625 Support IV AS, main valve cover 3-34

11683709 Support V AS, main valve cover 3-36

Group 4 Cab, operator's, superstructure 4-1

11586781 Cab, operator's, superstructure 4-2

11586769 Installation GP, operator's cab, superstructure 4-4

11574949 Air conditioner system 4-6

60018067 Air conditioner 4-8

60018069 Heater 4-12

12019345 Hood, protection 4-14

Group 5 Hydraulic system, superstructure 5-1

12227869 Hydraulic system, superstructure 5-2

11875661 Oilway, main 5-4

11008088 Valve GP, check 5-12

11878627 Valve block GP, superstructure 5-14

10138668 Valve set, pressure reduction, pilot 5-22

B22040000079 Valve, reversal, electromagnetic 5-24

11242934 Valve GP, control, air-conditioner 5-26

10138470 Valve GP, throttle, one-way 5-28

11234108 Valve GP, buffering, swing 5-30

12245983 Assembly GP, joint seat, four-way 5-32

11227796 Valve GP, reversing, swing	5-34
11227561 Valve GP, priority	5-36
12490854 Main valve assemblySRC350.4.1.6.7	5-38
B220401000679 Valve, multiway	5-40
12376090 Parking brake valve assemblySRC350.4.1.6	5-42
12376205 refill valve assemblySRC350.4.1.6.6	5-44
11233709 Oil collection block GP, pilot	5-46
11233699 Valve, brake, swing	5-48
B220400000027 Valve, reversing	5-50
11209821 Bracket, accumulator	5-52
11209023 Bracket, accumulator	5-54
11229535 Handle GP, pilot, right	5-56
11229392 Handle GP, pilot, left	5-58
11229613 Valve, pedal	5-60
11229626 Valve, pedal	5-62
12375980 Double-circuit brake valve assemblySRC35	5-64
12375444 redirector assmmblySRC350.4.1.6.7	5-66
11211177 Valve GP, balance, luffing	5-68
11875803 Oilway, swing, reversing	5-70
11875789 Oilway, handle & steering	5-74
10915505 Pressure distribution block GP	5-80
11876613 Oilway, brake pedal	5-82
11876643 Oilway, prefill valve	5-84
11108521 Joint GP, rotate, central	5-88
12226981 Oilway, cross pin cylinder	5-92
A810201062455 Assembly GP, solenoid valve	5-94
Group 6 Electric system GP	6-1

12106430 Electric system GP 6-2

11568769 Installation diagram, electric appliances, boom 6-4

11568760 Harness, boom 6-6

11661100 Limiter GP, height 6-8

10044528 Weight 6-10

10044511 Weight 6-12

11141483 Harness, boom 6-14

11568790 Installation diagram, electric appliances, jib 6-16

11568773 Harness, jib 6-18

11568781 Harness, jib 6-20

10022380 Weight, circular 6-22

11568744 Installation diagram, electric appliances, instrument panel 6-24

11568737 Wiring diagram, instrument panel 6-28

11568968 Installation diagram, electric control cabinet 6-30

12106323 Installation diagram, electric appliances, turntable 6-32

10140655 Lamp AS, outline, rear 6-34

11568880 Installation diagram, electric appliances, handrail box 6-36

Group 7 Chassis, rough-terrain crane, SRC840 7-1

12139278 Chassis, rough-terrain crane, SRC840 7-2

12098934 Frame construction 7-4

12098827 Outrigger GP, moveable 7-8

11540903 Tray GP, outrigger 7-10

11509951 Cylinder,outrigger,vertical 7-12

11544066 Platform & accessories 7-14

11588686 Hydraulic system, chassis 7-18

11667272 Oilway, radiator 7-20

B220501000269 Motor, gear	7-22
11682982 Pipeline, valve, outrigger	7-24
11677573 Oilway, steering	7-26
12605393 Brake Oil CircuitSRC350.6.7.8A	7-28
12602391 Suspension oil circuit SRC350.6.7.4A	7-30
11658639 Pipeline, cylinder, outrigger	7-32
11660288 Valve block GP, chassis	7-34
B229900000018 Filter, oil, high-pressure	7-36
10898079 Valve GP, reversing, outrigger	7-38
10176373 Valve GP, control, air conditioner	7-40
10901050 Valve GP, control, suspension lock	7-42
10901024 Valve GP, control, steering	7-44
11128275 Valve GP, changeover, high & low speed	7-46
11582259 Valve GP, switch, brake	7-48
11351823 Valve GP, relief, main	7-50
B220400000150 Valve, reversing	7-52
B222100000231 Filter, high pressure	7-54
11673123 Oilway, drain & return	7-56
11657783 Pipeline, oil suction	7-60
11544013 Tank GP, oil	7-64
11665936 Oilway, control	7-66
11603772 Oilway, main	7-68
11536878 Power train	7-72
11534859 Gearbox & suspension	7-74
60063182 Gearbox, shift, power	7-76
11536879 Shaft device, drive	7-78
12105870 Electric system GP, chassis	7-80
11930567 Box, electric control, chassis	7-86

11246331 Accumulator GP 7-90

11570514 Harness, connection, power supply 7-92

11534767 Suspension GP, axle 7-94

11534774 Wheel & tire 7-96

11534116 Suspension GP, rear 7-98

60063180 Axle GP, rear 7-102

11523083 Cylinder, suspension 7-104

11519398 Cylinder, steering 7-108

11534671 Suspension GP, front 7-110

60063181 Axle GP, front 7-112

12225498 Power systemSRC840.6.1 7-114

11539951 System, oil supply 7-116

A222100000198 Separator, oil-water 7-118

11537120 Intake system, air 7-120

21031421 Cleaner, air 7-124

11554752 System, exhaust 7-126

10135646 Tie GP, cable, air reservoir 7-128

11530727 Cooling system 7-130

60019550 Radiator 7-134

12217152 Engine suspension SRC840.6.1.1 7-136

Group 8 Telescoping device 8-1

11656307 Telescoping device 8-2

11582439 Telescoping mechanism 8-4

10137468 Pulley GP 8-10

11582450 Wheel GP, guide 8-12

10138404 Wheel 8-14

11582448 Pulley GP 8-16

11582449 Pulley GP	8-18
11490122 Cylinder, telescopic boom	8-20
Group 9 Jib GP	9-1
11583484 Jib GP	9-2
11583590 Bracket GP	9-8
Group 10 Pulley device, boom end	10-1
11632772 Pulley device, boom end	10-2
Group 11 Layout, label, complete vehicle	11-1
12229665 Layout, label, complete vehicle	11-2
Group 12 Other Fittings	12-1

Group 0 Introduction

Parts Book Overview

This parts book manual provides illustrations and parts listings required for you to properly identify and order spare or replacement parts for your SANY machine.

If this book becomes damaged, lost or illegible, request a replacement copy from your SANY distributor as soon as possible.

If you sell this machine, be sure to give this parts book to the new owner.

Improvements in the design can lead to changes in detail which may not be reflected in this parts book. Always consult your SANY distributor for the latest available information on your equipment or if you have questions regarding information in this book.



Storing This Parts Book

This publication applies only to this machine model and should not be used with any other machines.

Always keep this parts book available for ready reference in case parts must be ordered, either in the workshop area or office and always be available to the maintenance and service personnel as required.

Parts Book Organization

This parts book is divided into the various groups of similar parts or assemblies:

Group 0 Introduction

Group 1 Crane main body, rough-terrain, SRC840

Group 2 Boom GP

Group 3 Turntable

Group 4 Cab, operator's, superstructure

Group 5 Hydraulic system, superstructure

Group 6 Electric system GP

Group 7 Chassis, rough-terrain crane, SRC840

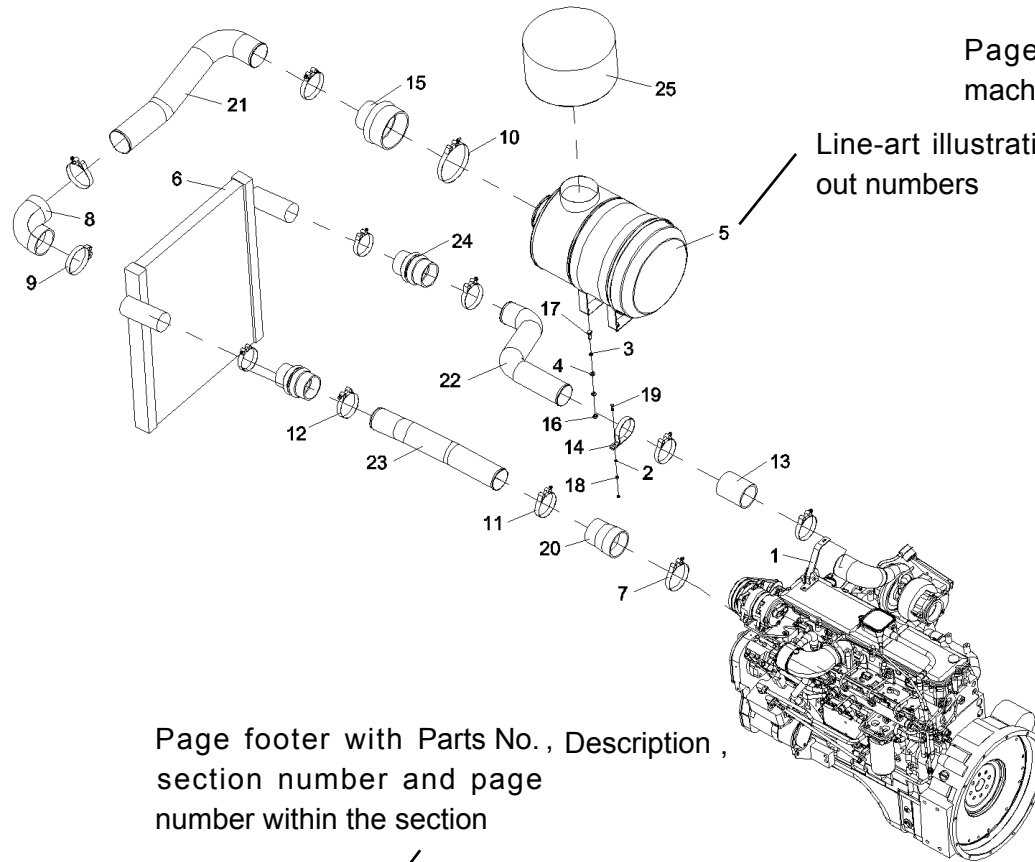
Group 8 Telescoping device

Group 9 Jib GP

Group 10 Pulley device, boom end

Group 11 Layout, label, complete vehicle

Group 12 Other Fittings



Page header with manual name, machine model and Sany logo

Line-art illustration with call-out numbers

Page footer with Parts No., Description, section number and page number within the section

page

10207320 Air inlet system (1/2)

2-20

Page header with manual name, machine model and Sany logo

Item No. column; matches call-out numbers on previous illustration page

Item No.	Part No.	Description	Qty.	Remark
1	10550459	Bracket	1	
2	A210405000006	Washer	1	
3	A210401000001	Washer	4	
4	A210405000011	Washer	8	
5	A222100000589	Air cleaner	1	
6	A229900003112	Radiator	1	
7	A229900004506	Hoop, T-type	1	
8	A820606010827	Rubber elbow	1	
9	A229900002263	T - Hoop	3	
10	A229900003895	Anchor ear, T-type	1	
11	A229900002222	Anchor ear, T-type	5	
12	A210855000052	T - Hoop	2	
13	A820606030699	Hose, straight, rubber	1	
14	A820101330777	Clamp, pipe, steel	1	
15	A820606030686	Tube, outlet, air cleaner	1	
16	A210307000017	Nut	4	
17	A210111000023	Bolt	4	
18	A210307000016	Nut	2	
19	A210111000081	Bolt	1	
20	10177596	Hose, rubber, variable diameter	1	
21	10206662	Bend tube, air intake	1	
22	10502088	Pipe, steel, air inlet, intercooler	1	

Remark column includes complement information of the part or assembly

Parts No. column; use this along with Parts No. to completely identify the part or assembly

Description column; use this along with description to completely identify the part or assembly

Qty. column indicates the number of each part used in this assembly



Page footer with parts No. , description , section number and page number within the section

10207320 Air inlet system (1/2)	2-21
---------------------------------	------

Machine Information

The serial numbers and model numbers located on the machine components are the only numbers that your SANY distributor will need when ordering replacement parts or providing assistance for your equipment. Record this information either in this manual or another easy-to-access location for future use

A sample machine data plate is shown below and the location of that plate is shown on the following page.

		三一重工股份有限公司 SANY HEAVY INDUSTRY CO.,LTD.	
越野轮胎起重机 Rough Terrain Crane			
产品型号 Product Type	<input type="text"/>	发动机型号 Engine Model	<input type="text"/>
发动机额定功率 Engine Rated Power	<input type="text"/> kW / (r/min)		
整车装备质量 Complete Vehicle Curb Mass	<input type="text"/> lbs	最大设计总质量 Max. Designed Gross Mass	<input type="text"/> lbs
最大额定起重量/工作幅度 Max.Rated Lifting Capacity / Working Radius	<input type="text"/>		
外形尺寸(长×宽×高) Overall Dimension(L×W×H)	<input type="text"/>		
生产日期 Date of Production	<input type="text"/>	出厂编号 Number	<input type="text"/>
 中国制造 / Made in China			