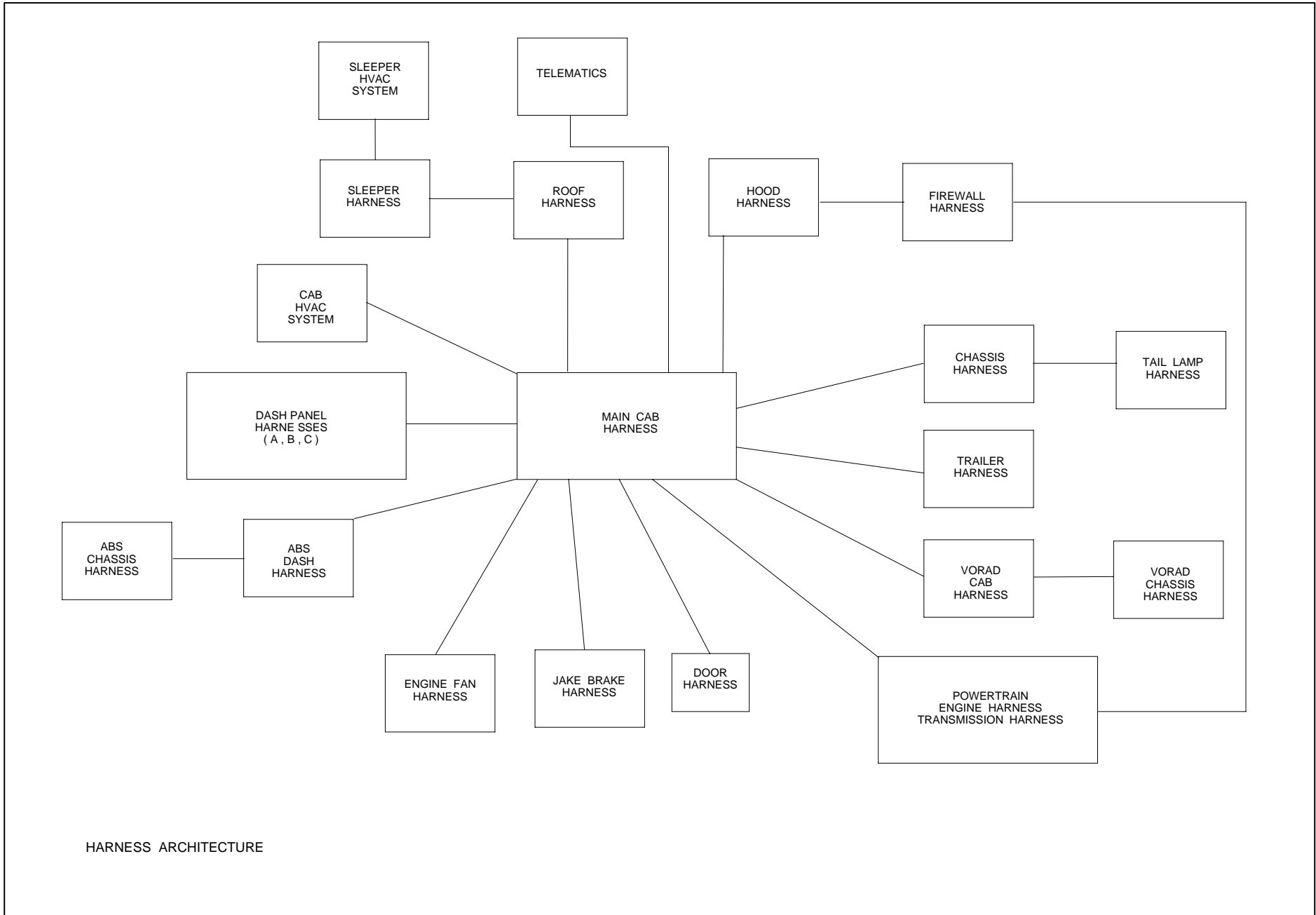
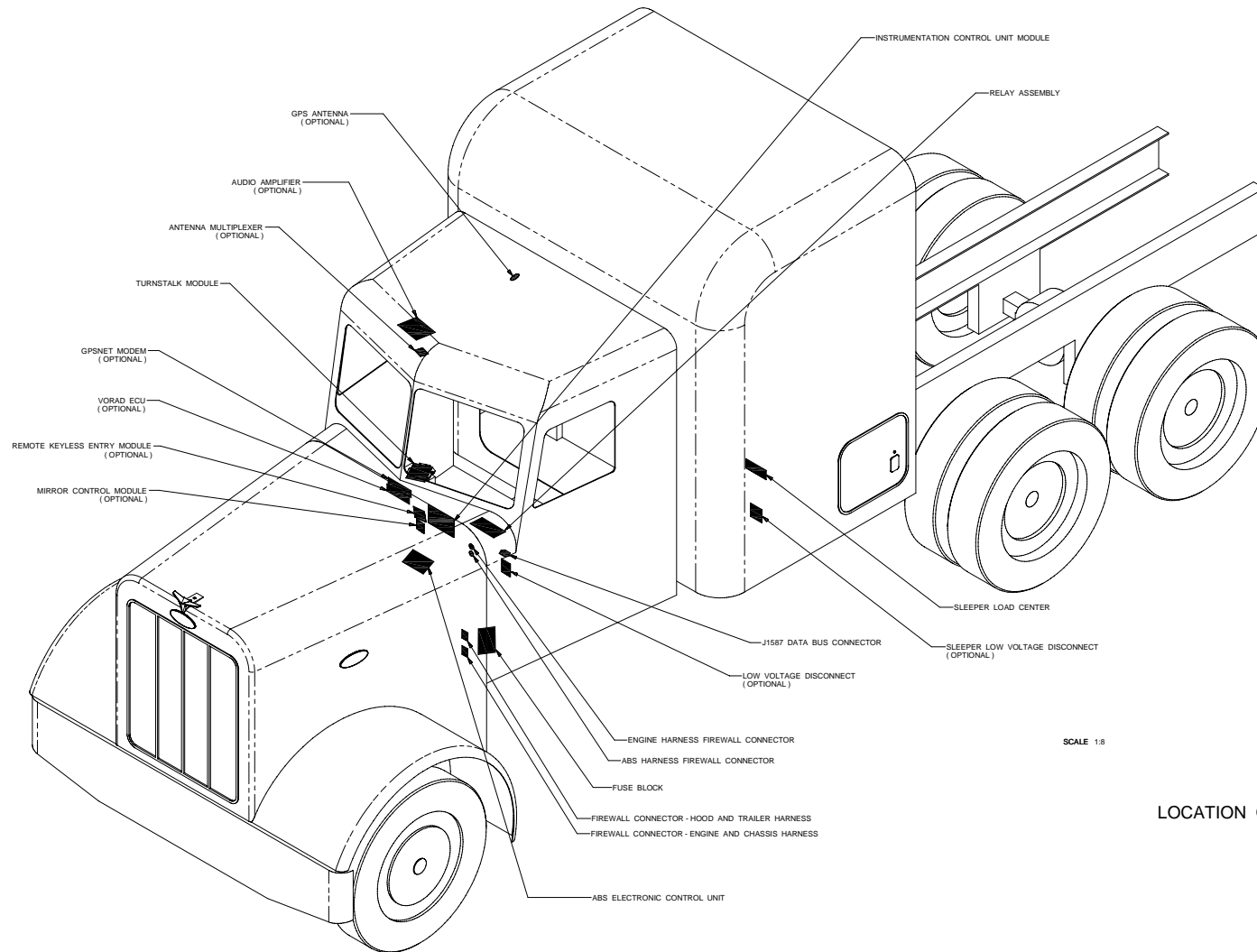


SH NO.	TITLE
1)	INDEX
2)	HARNASS ARCHITECTURE
3)	LOCATION OF MAJOR COMPONENTS
4)	LOCATION OF MAJOR COMPONENTS
5)	SYMBOLS INDEX
6)	SYMBOLS INDEX (CONTINUED)
7)	SYMBOLS INDEX (CONTINUED)
8)	SYMBOLS INDEX (CONTINUED)
9)	CHARGE AND START
10)	POWER DISTRIBUTION - UNSWITCHED CIRCUITS
11)	POWER DISTRIBUTION - IGNITION SWITCHED CIRCUITS
12)	POWER DISTRIBUTION - ACCESSORY SWITCHED CIRCUITS
13)	POWER DISTRIBUTION - CIRCUIT BREAKER - ENGINE
14)	TURN SIGNALS / HAZARD LIGHTS
15)	STOP LAMPS
16)	MARKER / CLEARANCE LAMPS / LEFT POLE / RIGHT POLE
17)	HEADLAMPS
18)	BACK - UP LIGHT SWITCH
19)	DAYCAB AD / LOADLIGHTS
20)	SLEEPER AD / LOADLIGHTS - 48" / 63" HIGH ROOF
21)	FOG LIGHTS
22)	CAB DOOR LOCKS
23)	REMOTE KEYLESS ENTRY RELAY - OPTIONAL
24)	CAB DOME LIGHT / DOOR LAMPS / DOOR JAMB / ALARM
25)	CAB FOOTLIGHTS / CIGAR LIGHTER / POWER POINT / B - PANEL POWER POINT
26)	48" / 63" HIGH ROOF SLEEPER LIGHTS / DOOR LOCK / DOOR JAMB
27)	48" / 63" HIGH ROOF SLEEPER POWER ACCESS OUTLETS
28)	48" / 63" LOW ROOF SLEEPER
29)	70" SLEEPER
30)	36" SLEEPER
31)	LH DOOR ELECTRIC WINDOW LIFT
32)	RH DOOR ELECTRIC WINDOW LIFT
33)	MIRRORS - STANDARD / MOTORIZED / HEATED AND MIRROR CONTROL
34)	CB RADIO
35)	DASH RADIO
36)	CAB ROOF SPEAKERS - CONCERT CLASS / CONCERT CLASS PREMIUM
37)	CAB ROOF SPEAKERS - CONCERT CLASS EHD
38)	RADIO - 48" / 63" / 70" SLEEPER
39)	CLOCK
40)	WIPER / WASHER
41)	ELECTRIC HORN
42)	CAB HVAC
43)	SLEEPER HVAC - ALL SLEEPERS
44)	SLEEPER LOAD CENTER
45)	SLEEPER POWER SUPPLY HARNESS
46)	NAMUX
47)	BACK - LIGHTING (+12 VOLTS) AND PANEL LAMPS DIMMER
48)	BACK - LIGHTING NEGATIVE LINKS (GROUND)
49)	OUTSIDE AIR TEMPERATURE
50)	FIFTH WHEEL / DIFF LOCK / SUSPENSION DUMP VALVE / SPARE ROCKER SWITCHES
51)	FUEL LEVEL
52)	FUEL FILTER - ACCESSORY POWER
53)	PARK BRAKE
54)	FORWARD AND REAR DRIVER AXLE TEMP
55)	VORAD
56)	AIR DRYER
57)	FUEL FILTER RESTRICTION
58)	TIRE PRESSURE CONTROL SYSTEM (TPCS) CAB & CHASSIS
59)	AUX TRANSMISSION OIL TEMP
60)	EATON ULTRASHIFT TRANSMISSION
61)	EATON AUTOSHIFT TRANSMISSION
62)	EATON AUTOSHIFT AND ULTRASHIFT TRANSMISSION (CONTINUED)
63)	MERITOR FREEDOMLINE TRANSMISSION
64)	WTEC TRANSMISSION (ALLISON)
65)	WTEC TRANSMISSION (ALLISON) (CONTINUED)
66)	EATON LIGHTNING TRANSMISSION POWER
67)	MAIN CAB ABS CONNECTIONS
68)	BENDIX ABS SYSTEM
69)	BENDIX ABS SYSTEM (CONTINUED)
70)	BENDIX ABS (CHASSIS)
71)	WABCO ABS SYSTEM (E-BASIC)
72)	WABCO ABS SYSTEM (E-UNIVERSAL)
73)	TRAILER ABS
74)	MAIN CAB ENGINE FIREWALL BULKHEAD
75)	ENGINE - CAT C11 / C13 AND C15
76)	ENGINE - CAT C11 / C13 AND C15 (CONTINUED)
77)	ENGINE - CUM ISM
78)	ENGINE - CUM ISC / ISL
79)	ENGINE - CUM ISX
80)	ENGINE - CUM ISM (BJ SERVICES)
81)	ENGINE - CUM ISM (BJ SERVICES) (CONTINUED)
82)	ENGINE - CUM ISM (BJ SERVICES)
83)	ENGINE - CUM ISM (BJ SERVICES) (CONTINUED)
84)	ENGINE - CUM ISX (BJ SERVICES)
85)	ENGINE - CUM ISX (BJ SERVICES) (CONTINUED)
86)	ENGINE ECU POWER
87)	CHASSIS SPARE GROUNDS
88)	MAIN CAB SPARE RELAY
89)	CHASSIS SENSOR ADD-ON - TRANSFER CASE OIL TEMP / BRAKESAVER OIL TEMP / GENERAL OIL TEMP / AUX XSMN OIL TEMP #3 / PTO OIL TEMP
90)	CUMMINS ICON2 IDLE CONTROL
91)	J1939 ARCHITECTURE
92)	TELEMATICS
93)	SLEEPER LVD / LVD ADAPTER
94)	CUMMINS DUAL STATION CONTROLS (BJ SERVICES)
95)	ENGINE BRAKE CONTROLS
96)	ENGINE FAN CONTROLS
97)	LIFT AXLE CONTROL (W/O AUTO-REVERSE)
98)	LIFT AXLE CONTROL (W/ AUTO-REVERSE)



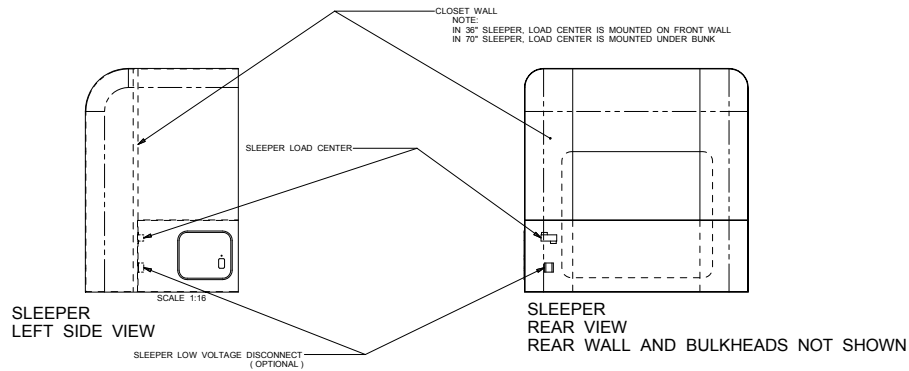
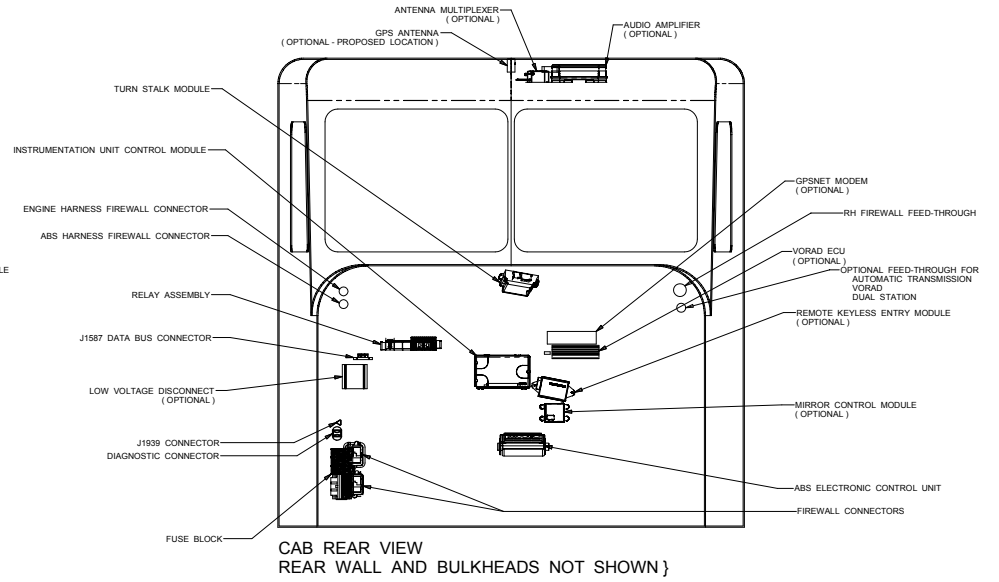
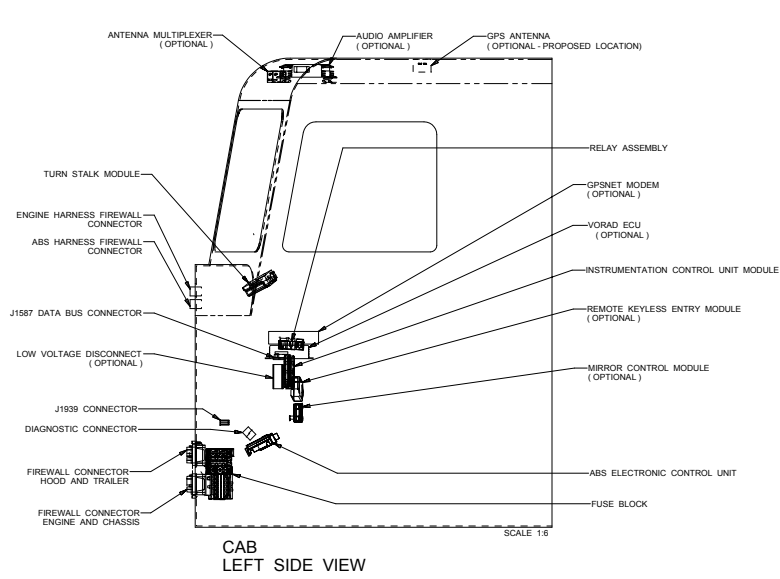
LOCATIONS OF MAJOR ELECTRICAL MODULES IN 379E CAB AND SLEEPER



SCALE 1:8


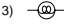
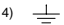
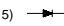
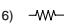
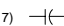
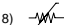

LOCATION OF MAJOR COMPONENTS

LOCATIONS OF ELECTRICAL MODULES IN 379E CAB AND SLEEPER

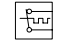
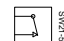
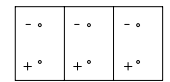
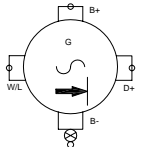
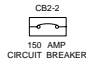
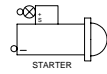
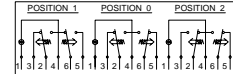


LOCATION OF MAJOR COMPONENTS

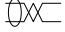
SYMBOL / ABBREVIATION KEY


- 1) ⊗ STUD
 - 2) • SPLICE
 - 3) ○ RING TERMINAL CONNECTORS
 - 4) NUMBERS EX CIRCUIT DESCRIPTION SUFFIX ALPHA
 - 5)  286 BUSS BAR
 - 6) CB CIRCUIT BREAKER
 - 7) CLC CHASSIS LOAD CENTER
 - 8) SLPR SLEEPER
 - 9) TRLR TRAILER
 - 10) MFTS MULTI-FUNCTION TURN STALK
 - 11) ✕ CONTINUED TO OTHER SH XX
 - 12) ▲ MOMENTARY CONTACT
 - CONTACT
 - 13)  BULB
 - 14)  GROUND
 - 15)  DIODE
 - 16)  RESISTOR
 - 17)  CAPACITOR
 - 18)  POLYFUSE
 - 19)  LIGHT-EMITTING DIODE
- SWITCH

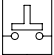
— SHEET NUMBER

- 20)  SW20-2, d0 STARTER THERMAL OVERLOAD SWITCH
- 21)  SW20S NEUTRAL START SWITCH
- 22)  BATTERIES BATTERY
- 23)  ALTERNATOR
- 24)  CB2-2 150 AMP CIRCUIT BREAKER
- 25)  STARTER
- 26)  WINDOW SWITCH

SYMBOLS INDEX

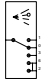
27)  J1939 CABLE SHIELD

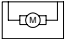
28)  TWISTED PAIR

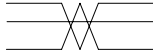
29)  PRESSURE SWITCH

30)  LAMP

31)  LIGHT



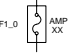
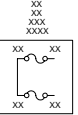
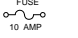

32)  IGNITION SWITCH

33)  WINDOW LIFT MOTOR

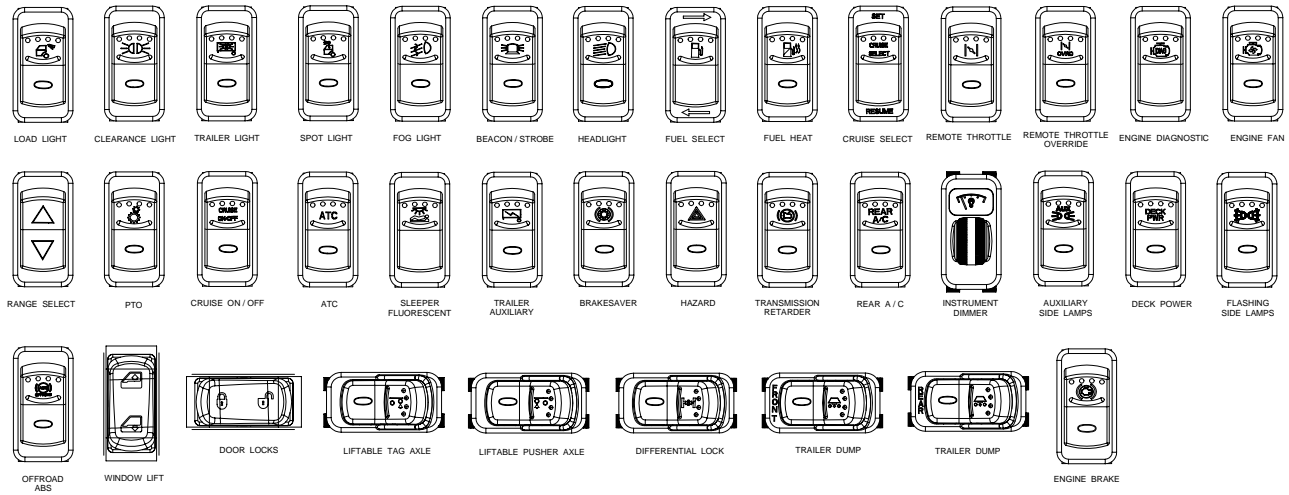
34)  TWISTED TRIPLET

SYMBOLS INDEX (CONTINUED)

FUSES

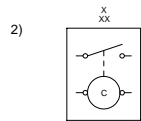
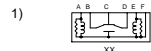
- 1)  25 A FUSE
- 2)  XX AMP
- 3)  F1,0 AMP XX
- 4)  XX AMP
XX
XXX
XXXX
- 5)  FUSE 10 AMP
- 6)  XX AMP

ROCKER SWITCH ICONS

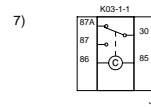
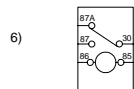
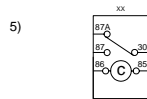
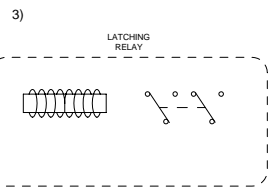


SYMBOLS INDEX (CONTINUED)

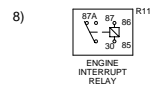
RELAYS



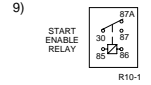
INTAKE AIR HEATER RELAY



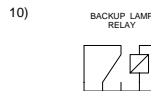
STARTER RELAY



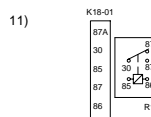
ENGINE INTERRUPT RELAY



START ENABLE RELAY



BACK-UP LAMP RELAY



RELAY

SYMBOLS INDEX (CONTINUED)

