

## Perkins Mgbf4071 2506c Parts Manual

Full download: <http://manualplace.com/download/perkins-mgbf4071-2506c-parts-manual/>

**MGBF4071**  
**2506CE15TAG2**

MGBF4071  
2009/04/01

The information given within this parts book was correct at the time of printing and is subject to change without notice. Always refer to your local Perkins outlet for the latest information. Only fully trained personnel should carry out servicing of engines. Before working on any engine always refer to the correct user service and maintenance manual.

Always refer to your local Perkins outlet before purchasing any parts

Subject to any existing rights of third parties, the information given in this document is the property of Perkins Engines Limited and should not be copied, in whole or part, without the prior written consent of the Company.



## **Contents**

- |    |                             |         |
|----|-----------------------------|---------|
| 1. | Introduction                | Pg. 4   |
| 2. | How To Use Your Parts Book  | Pg. 4   |
| 3. | Engine Breakdown            | Pg. 5   |
| 4. | Symbol Descriptions         | Pg. 11  |
| 5. | Parts Lists & Illustrations | Pg. 13  |
| 6. | Parts Index                 | Pg. 218 |

## **Introduction**

The build list of your engine, found on the front page of this parts book, provides a unique reference to the components fitted to your engine; therefore this parts book is only applicable to this particular engine

Always quote your build list and engine serial number when contacting your Perkins outlet.

## **How to use your Parts Book**

This parts book has been designed to provide you with all the information you need to identify parts to service your engine. There are several features within the book to make it easy to find the parts you require.

### **Front Page**

This lists your build list number and the date of publication of this book

### **Symbol Descriptions**

Provides a quick reference guide to the symbols used within the book.

### **Engine Breakdown**

Use this to identify all the major sections of your engine and the relevant pages within the book.

### **Parts Lists & Illustrations**

This section shows each major section of your engine broken down into individual part numbers along with an associated illustration for identifying the parts you require.

The illustrations used in this parts book are representational only and should only be used for identification purposes.

For fitting instructions please refer to your engine Service Manual.

### **Parts Index**

Using either the part number or description of the part you require this section will help you locate the page within the **Parts Lists & Illustrations** section where the part appears.

<b>Section</b>	<b>Page</b>
<b>Cylinder Block, Liners &amp; Main Bearing Kit ACHD0409</b>	<b>13</b>
<b>Cylinder Block, Liners &amp; Main Bearing Kit ACHD0409</b>	<b>15</b>
<b>Cylinder Block, Liners &amp; Main Bearing Kit ACHD0409</b>	<b>17</b>
<b>Cylinder Block Cover ACHD0402</b>	<b>19</b>
<b>Cylinder Head Assembly ACHD0403</b>	<b>21</b>
<b>Cylinder Head Cover ACHD0406</b>	<b>23</b>
<b>Crankshaft ACHD0407</b>	<b>25</b>
<b>Camshaft ACHD0408</b>	<b>27</b>
<b>Fuel Pump Drive ACHS1170</b>	<b>29</b>
<b>Rocker Shaft Assembly ACHS1173</b>	<b>31</b>
<b>Cylinder Block, Liners &amp; Main Bearing Kit ACHS1189</b>	<b>33</b>

<b>Section</b>	<b>Page</b>
<b>Cylinder Block, Liners &amp; Main Bearing Kit ACHS1189</b>	<b>35</b>
<b>Cylinder Head Assembly ACHS1190</b>	<b>37</b>
<b>Cylinder Head Assembly ACHS1190</b>	<b>39</b>
<b>Cylinder Head Assembly ACHS1190</b>	<b>41</b>
<b>Timing Gear &amp; Camshaft ACHS1194</b>	<b>43</b>
<b>Timing Gear &amp; Camshaft ACHS1194</b>	<b>45</b>
<b>Timing Gear &amp; Camshaft ACHS1194</b>	<b>47</b>
<b>Timing Gear &amp; Camshaft ACHS1194</b>	<b>49</b>
<b>Pistons &amp; Rings ADHD0053</b>	<b>51</b>
<b>Connecting Rods &amp; Big End Bearings ADHD0053</b>	<b>53</b>
<b>Piston Cooling Jets ADHD0053</b>	<b>55</b>
<b>Timing Cover AEHD0070</b>	<b>57</b>

**Engine Breakdown**

<b>Section</b>	<b>Page</b>
<b>Timing Case AEHS1070</b>	<b>59</b>
<b>Timing Case AEHS1071</b>	<b>61</b>
<b>Control Unit AFHD0268</b>	<b>63</b>
<b>Lift Pump AFHD0269</b>	<b>65</b>
<b>Atomisers AFHD0270</b>	<b>67</b>
<b>Flywheel Housing CDHS1100</b>	<b>69</b>
<b>Flywheel &amp; Starter Ring CDHS1101</b>	<b>71</b>
<b>Starter Motor Breakdown E1AFH</b>	<b>73</b>
<b>Starter Motor E1CFH</b>	<b>75</b>
<b>Starter Motor EDHS1041</b>	<b>77</b>
<b>Fan Drive F1AFH</b>	<b>79</b>
<b>Pulleys F1BFH</b>	<b>81</b>
<b>Fan Drive F1LFH</b>	<b>83</b>

<b>Section</b>	<b>Page</b>
<b>Fan F1DFH</b>	<b>85</b>
<b>Fan Drive F1FFH</b>	<b>87</b>
<b>Fan Drive F1GFH</b>	<b>89</b>
<b>Sump GBHD0192</b>	<b>91</b>
<b>Oil Strainer GBHD0192</b>	<b>93</b>
<b>Oil Pump GBHS1081</b>	<b>95</b>
<b>Oil Pump GBHS1082</b>	<b>97</b>
<b>Dipstick &amp; Filler Tube GBHS1091</b>	<b>99</b>
<b>Dipstick &amp; Filler Tube GBHS1092</b>	<b>101</b>
<b>Dipstick &amp; Filler Tube GBHS1092</b>	<b>103</b>
<b>Breather H1AFH</b>	<b>105</b>
<b>Pipework &amp; Connections HBHS1032</b>	<b>107</b>
<b>Oil Filter JBHD0397</b>	<b>109</b>

<b>Section</b>	<b>Page</b>
<b>Oil Filter JBHD0397</b>	<b>111</b>
<b>Oil Filter JBHD0397</b>	<b>113</b>
<b>Oil Cooler JBHD0398</b>	<b>115</b>
<b>Coolant Pipes &amp; Connections JBHD0398</b>	<b>117</b>
<b>Coolant Pipes &amp; Connections JBHD0398</b>	<b>119</b>
<b>Front End Drive Input KBHD0055</b>	<b>121</b>
<b>Water Pump LBHD0089</b>	<b>123</b>
<b>Water Pump LBHD0090</b>	<b>125</b>
<b>Water Pump LBHD0090</b>	<b>127</b>
<b>Alternator Bracket &amp; Fixings N1AFH</b>	<b>129</b>
<b>Alternator N1BFH</b>	<b>131</b>
<b>Alternator Bracket &amp; Fixings N1BFH</b>	<b>133</b>
<b>Pulleys N1BFH</b>	<b>135</b>

<b>Section</b>	<b>Page</b>
<b>Pulleys N1CFH</b>	<b>137</b>
<b>Feed Pipes SBHD0165</b>	<b>139</b>
<b>Leak-Off Pipes SBHD0165</b>	<b>141</b>
<b>Turbocharger SBHD0166</b>	<b>143</b>
<b>Heatshield SBHS1087</b>	<b>145</b>
<b>Air Filter Assembly T1AFH</b>	<b>147</b>
<b>Air Filter Assembly T1BFH</b>	<b>149</b>
<b>Air Filter Assembly T1BFH</b>	<b>151</b>
<b>Air Duct T1BFH</b>	<b>153</b>
<b>Air Duct T1CFH</b>	<b>155</b>
<b>Exhaust Outlet U1AFH</b>	<b>157</b>
<b>Exhaust Outlet U1BFH</b>	<b>159</b>
<b>Exhaust Outlet U1CFH</b>	<b>161</b>

**Engine Breakdown**

<b>Section</b>	<b>Page</b>
<b>Exhaust Manifold UBHS1035</b>	<b>163</b>
<b>Low Pressure Fuel Pipe Clips V1AFH</b>	<b>165</b>
<b>Low Pressure Fuel Lines V1BFH</b>	<b>167</b>
<b>Low Pressure Fuel Lines VBHS1095</b>	<b>169</b>
<b>Low Pressure Fuel Lines VBHS1095</b>	<b>171</b>
<b>Low Pressure Fuel Lines VBHS1095</b>	<b>173</b>
<b>Filter Head Assembly VBHS1096</b>	<b>175</b>
<b>Fuel Filter VBHS1096</b>	<b>177</b>
<b>Engine Lifting Eyes XBHS1032</b>	<b>179</b>
<b>Engine Lifting Eyes XBHS1033</b>	<b>181</b>
<b>Radiator &amp; Cowling Z1ZFH</b>	<b>183</b>
<b>Pipework &amp; Connections Z1CFH</b>	<b>185</b>
<b>Pipework &amp; Connections Z1DFH</b>	<b>187</b>

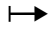
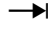
















<b>Section</b>	<b>Page</b>
<b>Pipework &amp; Connections Z1DFH</b>	<b>189</b>
<b>Radiator &amp; Cowling Z1EFH</b>	<b>191</b>
<b>Radiator &amp; Guards Z1FFH</b>	<b>193</b>
<b>Wiring Looms Z1GFH</b>	<b>195</b>
<b>Wiring Looms Z1HFH</b>	<b>197</b>
<b>Wiring Looms Z1MFH</b>	<b>199</b>
<b>Wiring Looms Z1MFH</b>	<b>201</b>



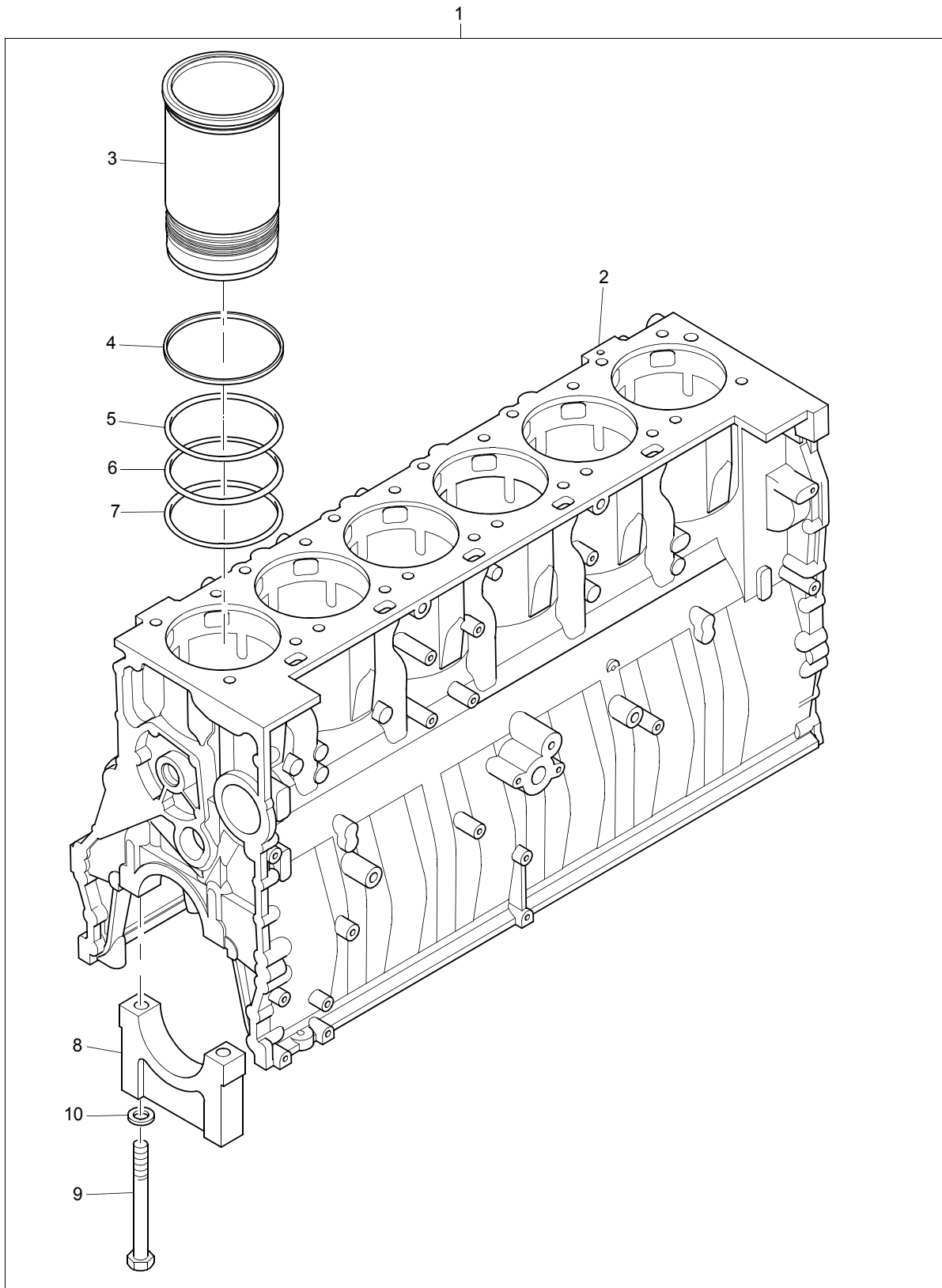
<b>Section</b>	<b>Page</b>
<b>Engine Mounts ZCHS1057</b>	<b>203</b>
<b>Wiring Looms ZNHD0073</b>	<b>205</b>
<b>Switches ZNHD0200</b>	<b>207</b>
<b>Switches ZNHD0200</b>	<b>209</b>
<b>Switches ZNHD0200</b>	<b>211</b>
<b>Switches ZNHD0200</b>	<b>213</b>
<b>Wiring Looms ZNHS1038</b>	<b>215</b>
<b>Switches ZNHS1047</b>	<b>217</b>

## Engine Breakdown

## Symbols and Notes

Symbol	Description
	From Engine Number
	Upto Engine Number
	Repairs and Replaces
	See Appropriate Section - Reference Number
	Alternative
	Order
	Remanufactured Part
	New for Old Part
	Number of Teeth
	Thickness
	Bottom
	Top
	Left Hand
	Right Hand
	Reference for Detailed Breakdown
	Other Service Options Available
	Cylinder Number
	See History Section

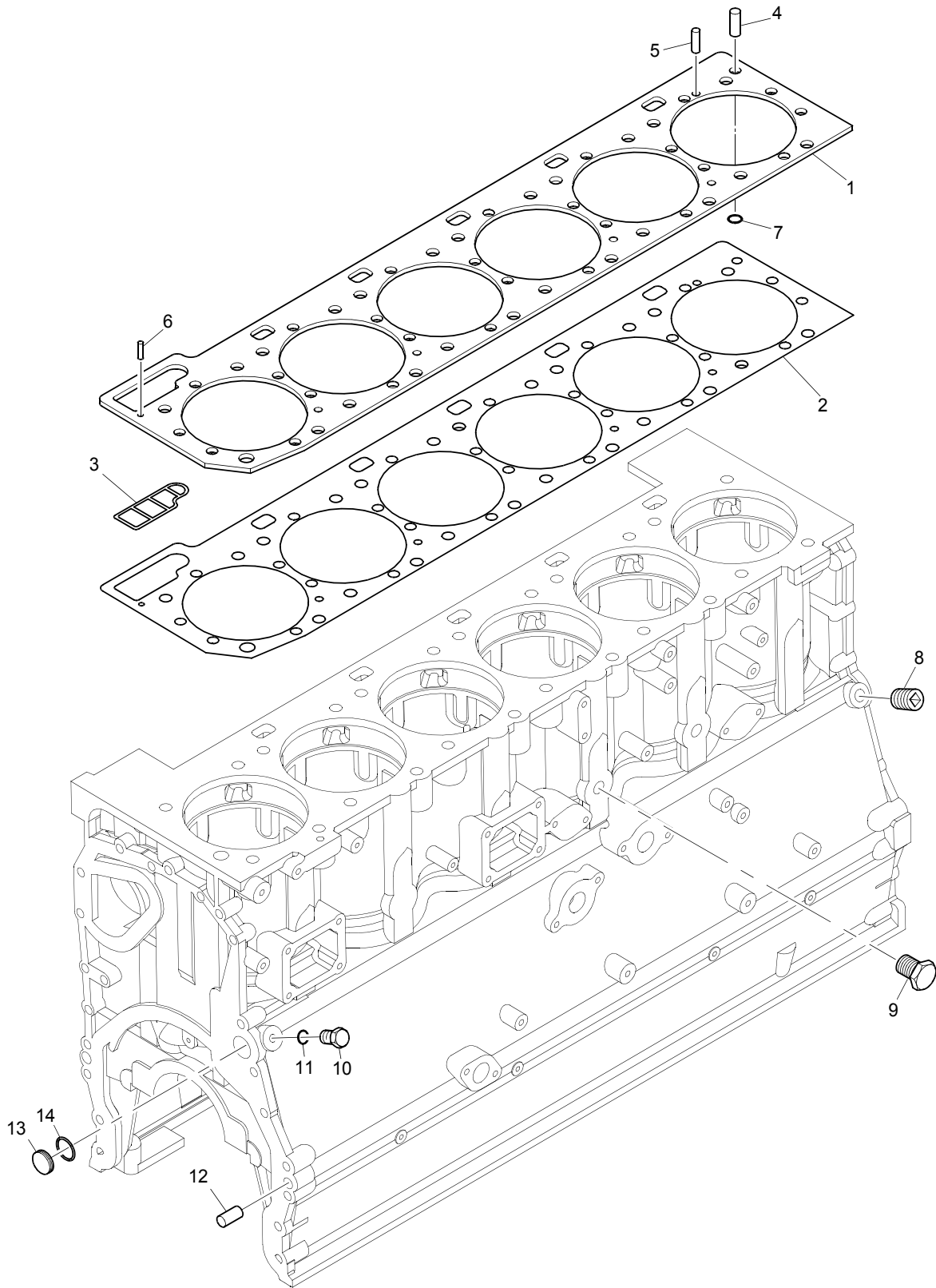
ACHD0409



ACHD0409

Item	Part No.	References	Qty.	Description	Notes
1	CH12546		1	CRANKCASE	
2	—	⇒ CH12546	1	CYLINDER BLOCK	
3	—CH11180		6	CYLINDER LINER	
4	—CH10673		6	BAND	
5	—CH10674		6	SEAL - OIL	
6	—CH10677		6	SEAL - OIL	
7	—CH11179		6	SEAL - OIL	
8	—	⇒ CH12546	1	BEARING CAP	
9	—CH10679		14	BOLT	
10	—CH10672		14	WASHER	

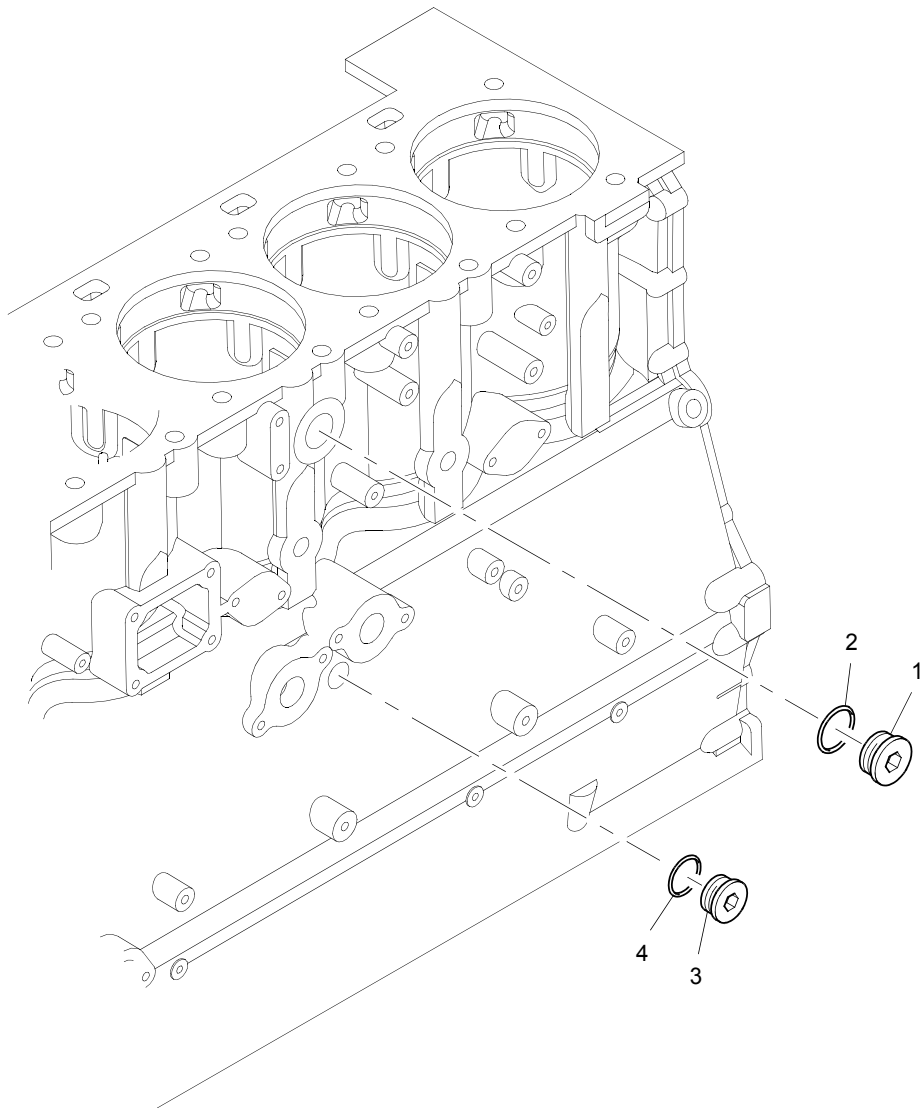
ACHD0409



ACHD0409

Item	Part No.	References	Qty.	Description	Notes
1	CH11398		1	SPACER	
2		⇒ KRP1529	1	GASKET	
3		⇒ KRP1529	1	SEAL	
4	CH10661		1	DOWEL	
5	CH10656		1	DOWEL	
6	CH10659		1	DOWEL	
7	CH10660		1	SEAL - O RING	(A)
8	CH10221		5	PLUG	
9	CH10568		2	PLUG	
10	CH10664		1	PLUG	
11	CH10667		1	SEAL - O RING	
12	CH10658		2	DOWEL	
13	CH10666		2	PLUG	
14	CH10657		2	SEAL - O RING	
<b>History</b>					
a.	CH10663		1	PLUG	
<b>Footnotes</b>					
(A)	ALSO INCLUDED IN KRP1529				

ACHD0409

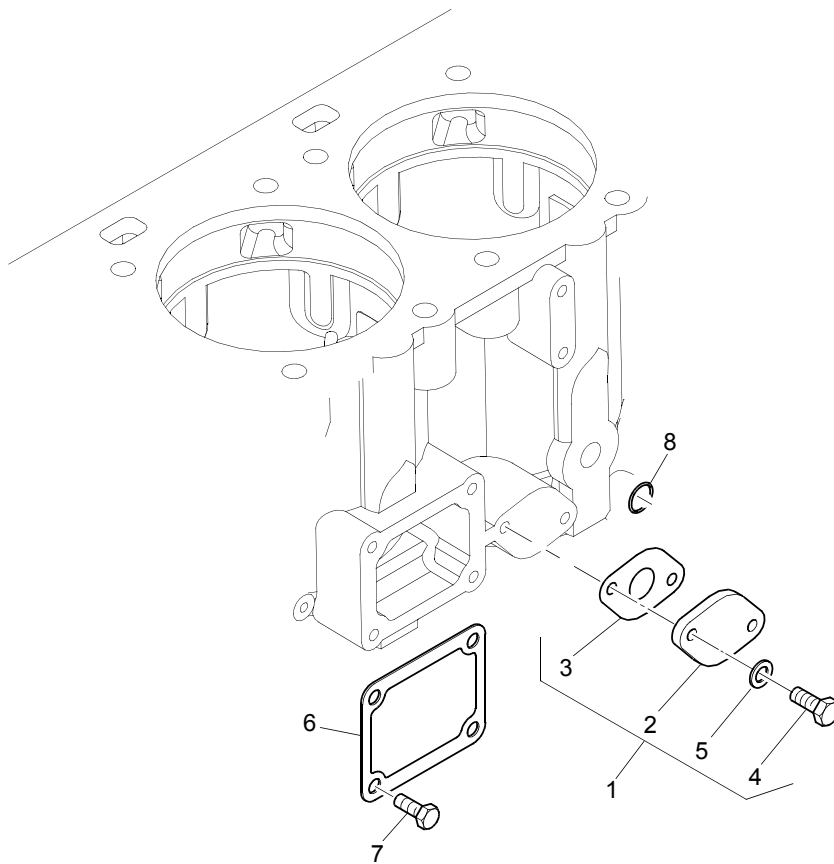




**Cylinder Block, Liners & Main Bearing Kit****Plate C****ACHD0409**

<b>Item</b>	<b>Part No.</b>	<b>References</b>	<b>Qty.</b>	<b>Description</b>	<b>Notes</b>
1	CH11867		1	PLUG	
2	CH12756		1	SEAL - O RING	
3	CH11375		1	PLUG	
4	CH10131		1	SEAL - O RING	

ACHD0402



ACHD0402

Item	Part No.	References	Qty.	Description	Notes
1	KRP1532		1	COVER KIT	
2		⇒ KRP1532	1	BLANKING COVER	
3	CH10561	⇒ KRP1532	1	GASKET - BLANKING PLATE	
4	CH10537	⇒ KRP1532	2	BOLT	
5	CH10541	⇒ KRP1532	2	WASHER	
6	CH10579		1	GASKET	
7	CH10815		2	BOLT	
8	CH11560		1	SEAL - O RING	

ACHD0403

