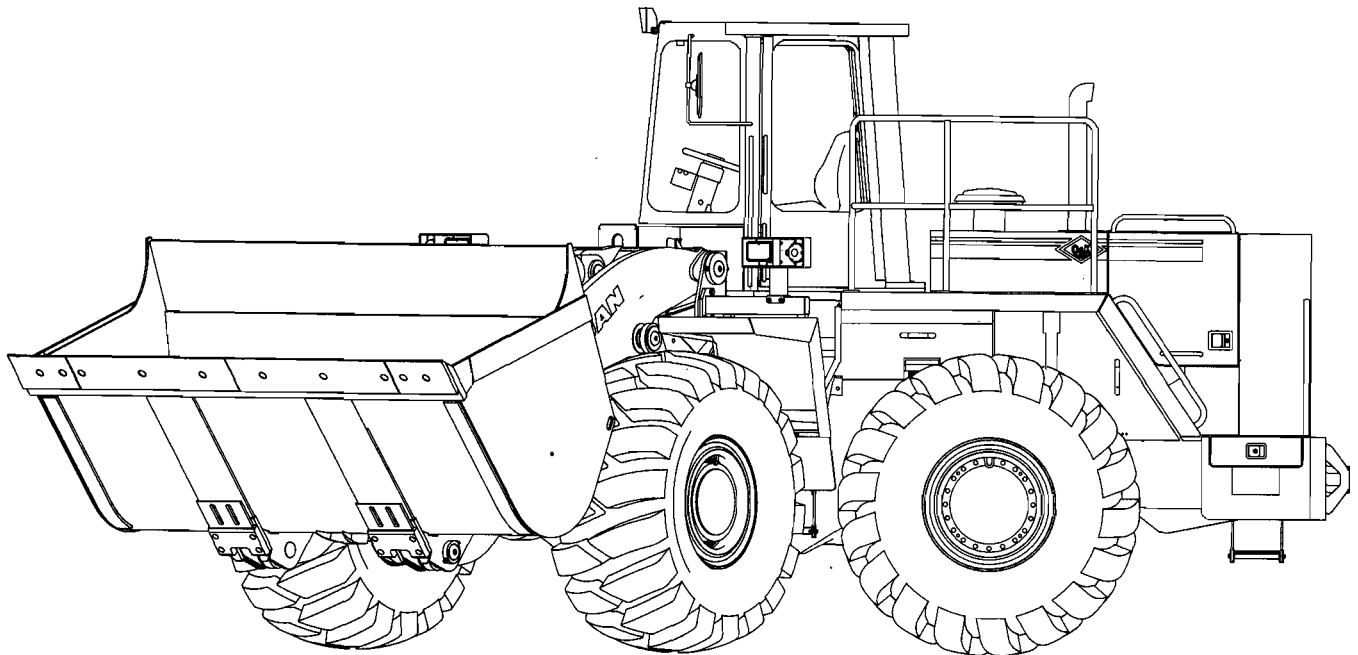




1700Z

Parts Manual TB124

Engine Model - Deutz BF 4L 913



Manual Part No. 4608332

PARTS MANUAL

Machine Serial No.

Engine Model Serial No.

Transmission Part No. Serial No.

Front Axle Part No. Serial No.

Rear Axle Part No. Serial No.

MODEL 1700Z

MANUAL TB124

Manual Part No. 4608332

TROJAN

INTRODUCTION

This manual illustrates and identifies maintenance parts for the Model 1700Z Loader, to enable you to determine the part number and name assigned to the part you wish to order. Ordering by proper part number and name will help ensure the receipt of the proper part the first time without time-consuming exchanges of correspondence or other annoying delays.

An index is provided in the front of this manual to help you determine which illustration contains the part you want to order. Determine the basic system or assembly in which the part is used, and find this system or assembly in the Index. It will reference the pages which illustrate and list the part.

This manual contains the latest information available at the time of printing. However, at the discretion of O&K Trojan Inc. its contents are subject to change without notice. This reservation is in keeping with the Company's policy of constant progressive improvement and refinement of all our products. As a result of such policy, certain changes may be made from time to time which will not be covered in this manual.

Because we are constantly upgrading our equipment, it is necessary that the SERIAL NUMBER of your machine accompany every repair parts order. To assure the receipt of the proper part, it is essential that the following information be included with your parts order:

MACHINE MODEL NUMBER

MACHINE SERIAL NUMBER

PART NUMBER OF THE DESIRED PART

PART NAME OF THE DESIRED PART

QUANTITY OF ITEM WANTED

NAME AND ADDRESS TO WHICH PART SHOULD BE SENT

USE ONLY PARTS WHICH ARE AUTHORIZED BY O&K TROJAN INC. TO ENSURE THAT ORIGINAL DEPENDABILITY AND PERFORMANCE WILL BE MAINTAINED.

Certain abbreviations are used in the parts list to call your attention to specific situations. These abbreviations are explained as follows:

A/R - As Required: No specific quantity can be assigned to the part since the number used varies from machine to machine.

TROJAN

Because we are constantly upgrading our equipment, it is necessary that the SERIAL NUMBER of your machine accompany every repair parts order. To assure the receipt of the proper part, it is essential that the following information be included with your parts order:

MACHINE MODEL NUMBER
MACHINE SERIAL NUMBER
PART NUMBER OF THE DESIRED PART
PART NAME OF THE DESIRED PART
QUANTITY OF ITEM WANTED
NAME AND ADDRESS TO WHICH PART SHOULD BE SENT

USE ONLY PARTS WHICH ARE AUTHORIZED BY TROJAN INDUSTRIES, INC. TO ENSURE THAT ORIGINAL DEPENDABILITY AND PERFORMANCE WILL BE MAINTAINED.

Certain abbreviations are used in the parts list to call your attention to specific situations. These abbreviations are explained as follows:

- A/R - As Required: No specific quantity can be assigned to the part since the number used varies from machine to machine.
- N.S.S. - Not Serviced Separately: This part is not serviced by itself but, for reasons of matching fit with another part or for other reasons, it is serviced only as part of another assembly.
- N.I. - Not Illustrated: The part is used on the machine, but is not shown on the parts illustration.

WHEN YOU RECEIVE PARTS:

Check immediately to assure that you have received the correct parts, the correct quantity, and that they are in good condition.

Report any errors to your Trojan Distributor.

In case of shipment damage, make any claims to the carrier immediately.

TROJAN

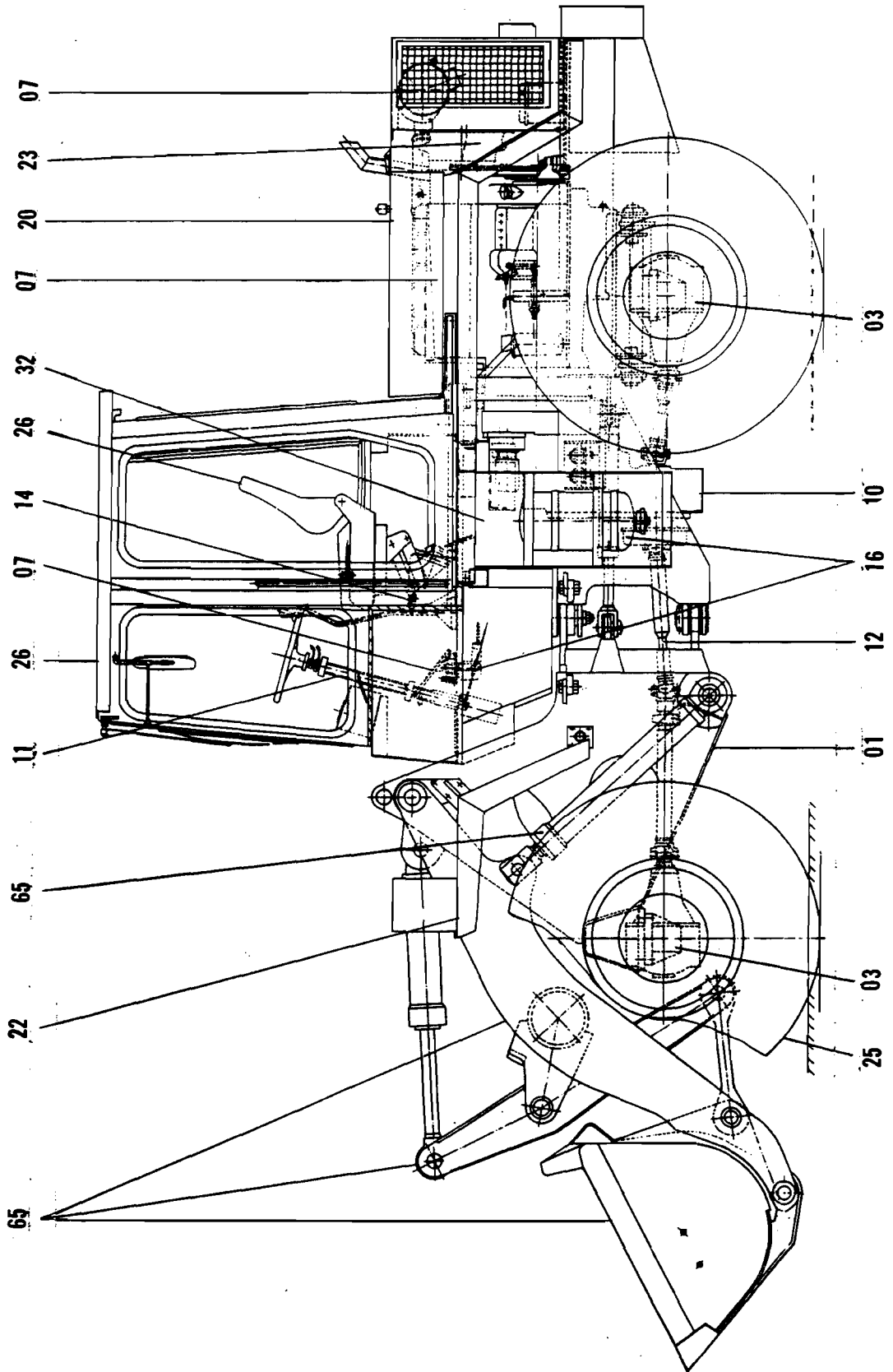


TABLE OF CONTENTS

GROUP		PAGE
01	Frame Group	11
	0000 - Front Frame	13
	0100 - Rear Frame	15
03	Axles Group	
	3100 - Front Axle Assembly	17
	3101 - Housing and Planetary Hub Assembly	19
	3102 - Brakes, Front	21
	3103 - Differential Assembly, Front	23
	3104 - Differential Case and Gears	25
	3200 - Rear Axle Assembly	27
	Rear Axle Assembly (N.Y.C.)	35B
	3201 - Housing and Planetary Hub Assembly	29
	Housing and Planetary Hub Assembly (N.Y.C.)	35D
	3202 - Brakes, Rear	31
	Brakes, Rear (N.Y.C.)	35F
	3203 - Differential Assembly, Rear	33
	Differential Assembly, (N.Y.C.)	35H
	3204 - Differential Case and Gears	35
	Differential Case and Gears (N.Y.C.)	35K
04	Axle Mounting Group	
	1100 - Front & Rear Axles	37
07	Engine, Controls & Filters Group	See Engine Section
10	Transmission Torque Converter Group	
	0000 - Transmission Mounting	39
	0100 - Transmission Hydraulic System	41
	1000 - Transmission/ Torque Converter Assembly Housing Group	43
	1002 - Torque Converter	47
	1003 - Turbine Shaft, Stator Support and Baffle Group	49
	1004 - Drive Plate Group	51
	1005 - Auxiliary Pump Drive Group	52
	1006 - Charging Pump Group	53
	1007 - Forward Clutch Group	55
	1008 - Reverse and Second Clutch Group	57
	1009 - Low Speed Clutch Group	59
	1010 - Third Speed Clutch Group	61
	1011 - Reverse Idler Group	63
	1012 - Idler Shaft and Steer Pump Group	65
	1013 - Output Shaft Group	67
	1014 - Pump/Filter Group	69

TROJAN

GROUP		PAGE
10	1015 - Control Valve Assembly	71
	1016 - Modular Valve Assembly	73
	1017 - parking Brake Group	75
11	Steering Group	
	0000 - Hydraulic System	77
	0001 - Steer Cylinder Assembly	79
12	Drive Train Group	
	0000 - Propeller Shafts	81
14	Transmission Controls Group	
	0000 - Parking Brake Linkage	83
	0001 - Transmission Controls	85
15	Automatic Bucket Leveler	
	6200 - Thru S/N 3123920	87
	6201 - S/N 3126401 and Higher	89
16	Brake System Group	
	2000 - Brake Controls and Lines	93
	2001 - Brake Valve Installation - One Pedal	97
	2002 - Brake Valve Installation - Two Pedal	99
	2003 - Alcohol Injector	101
17	Electrical System Group	
	0000 - Battery and Wiring - 24V	103
	Battery and Wiring - 12V	105B
	0001 - Lights & Electrical Components	107
	0002 - Battery Box	109
	0003 - Instruments and Switches	111
	0004 - Oil Pressure Guage, 12V Engine	112
	2700 - Ventilator, Roof	113
	3300 - Windshield Wiper, Rear (Optional)	105-107
	3400 - Speedometer Installation	109
	3700 - Tachometer	111
20	Sheet Metal - Engine Group	
	0200 - Hood Assembly	115

TROJAN

GROUP		PAGE
22	Fenders & Mudflaps Group 0000 - Fenders, Front & Rear	117
23	Fuel Tank Group 2000 - Fuel Tank Installation	119
25	Wheels & Tires Group 0000 - Tires & Wheels	121
26	Cab Group 1300 - Floorplates 1600 - Cab Assy./Windshield Wiper & Washer -STD. Cab Assy./Windshield Wiper & Washer Hi Visibility 1601 - Cab Door Assemblies 1602 - Cab Interior 2200 - Seat Assembly 2201 - Seat Mounting 2300 - Heating System 2400 - Defroster System	123 125 127 129 131 133 135 137 139
28	Tools Group 0000 - Tools	141
29	Tank Covers Group 0100 - Tank Platform (Air Reservoir) 0600 - Headlight Mount Assy. 0600 - Shroud Mounting 1500 - Support Mounting, Light	143 145 159 160-161
32	Hydraulic System Group 0500 - Reservoir, Hydraulic 0501 - Filter, Hydraulic Oil 4000 - Hydraulic System, Main 4001 - Valve Assy., Change Over 4002 - Valve Controls/Linkage 4003 - Main Control Valve 4004 - Pump Assembly	147 149 151 153 155 157 161

TROJAN

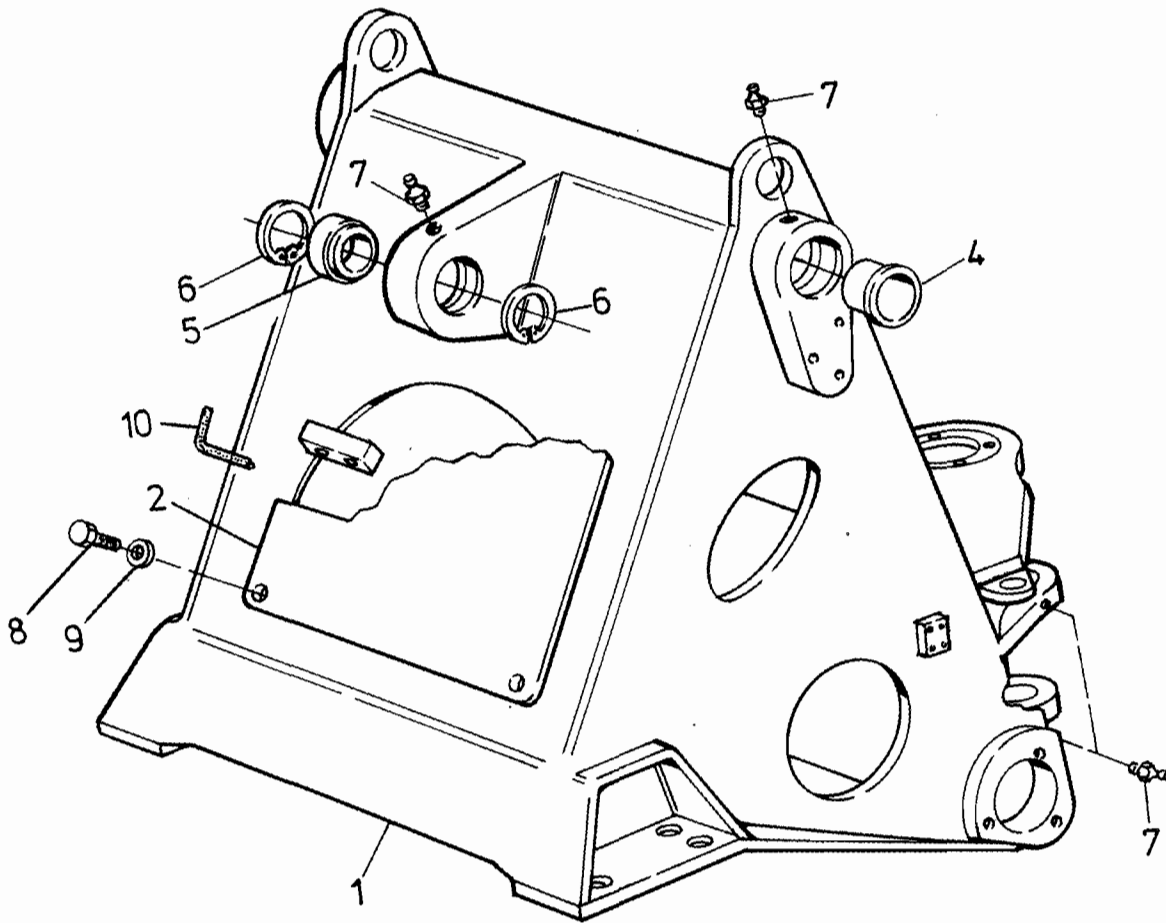
GROUP		PAGE
33	Third Function Hydraulic	
	3100 - Air/Electrical	163
	Mechanical/ Hydraulic	165
	3200 - Lift Arm Piping	167
	3300 - Valve Controls	169
61	Counterweight Group	
	0100 - Counterweight	171
65	Lift Arms Group	
	0000 - Lift Arm Linkage	173
	0001 - Cylinder, Bucket	175
	0002 - Cylinder, Lift	177
	9000 - Bucket Assy.	178
	9100 - Attachments	179
79	Miscellaneous Group	
	1200 - Lubrication System	181
	1205 - Safety Walk Installation	183
	1210 - Lift Arm Lock	184

TROJAN

QUICK REFERENCE

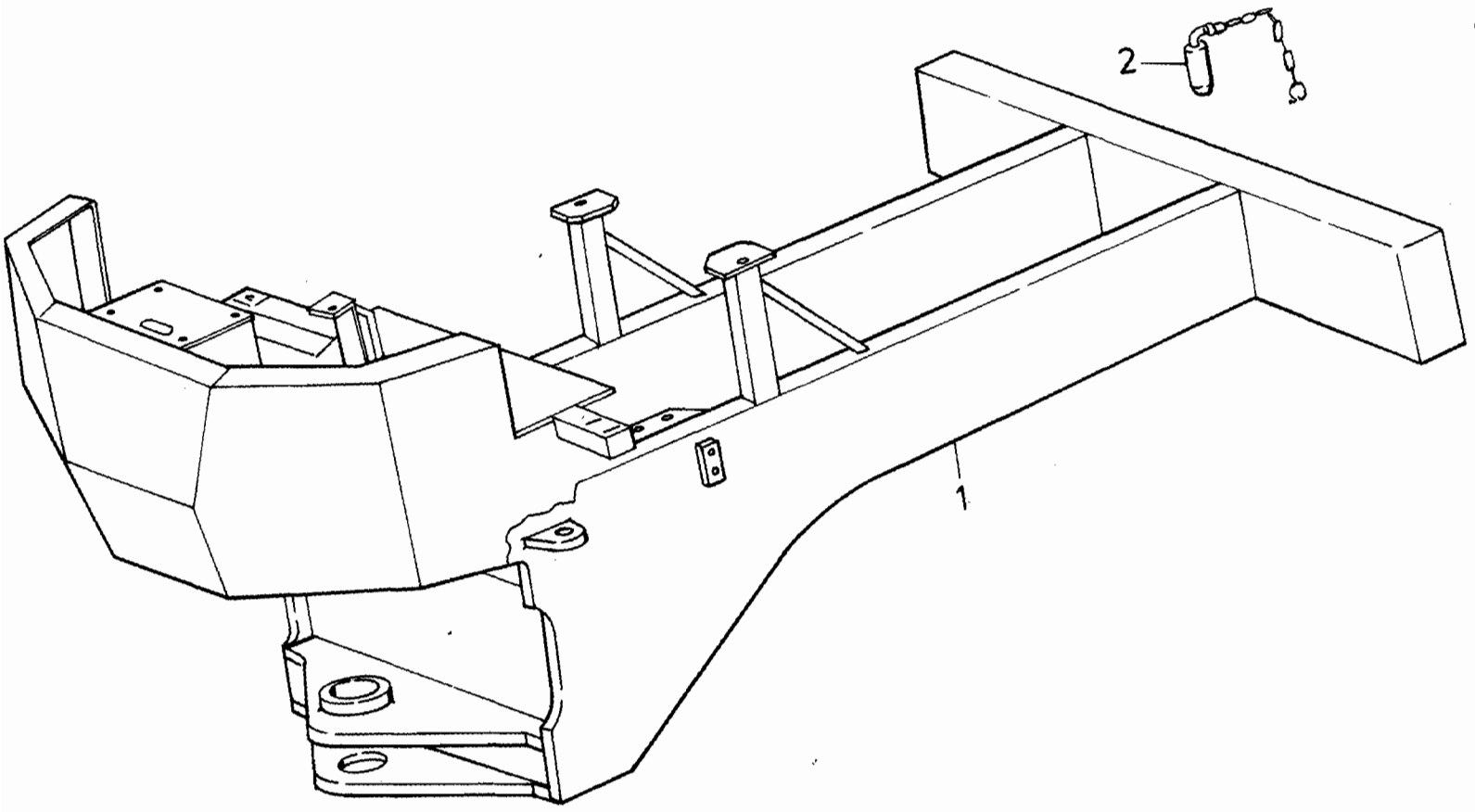
Air Cleaner	Large Element	0747075
	Small Element	0756931
	Vacuum Indicator	0746649
Filters	Engine Oil	4795837
	Fuel	
	Element	4179772
	Secondary Service Kit	4201350
	Service Kit - Complete	4791063
	Hydraulic Oil	1696145
	Transmission	7395491
Belts	Air Compressor	0048091
	Alternator - 24V	4600023
	Alternator - 12V	0048035
	Air Blower, Cooling	4791499
Test Equipment	Kit (Complete)	4179032
	Cap	4191364
	Test Connection	3229263
	Hose	4139306
	Nut	0022322
Tool Kit	Complete	4177158
	Engine	4158034
	Wrenches and Additional Tools	4158014
Identification Kit	Complete (REF 4179926 Diagram)	4600200

TROJAN

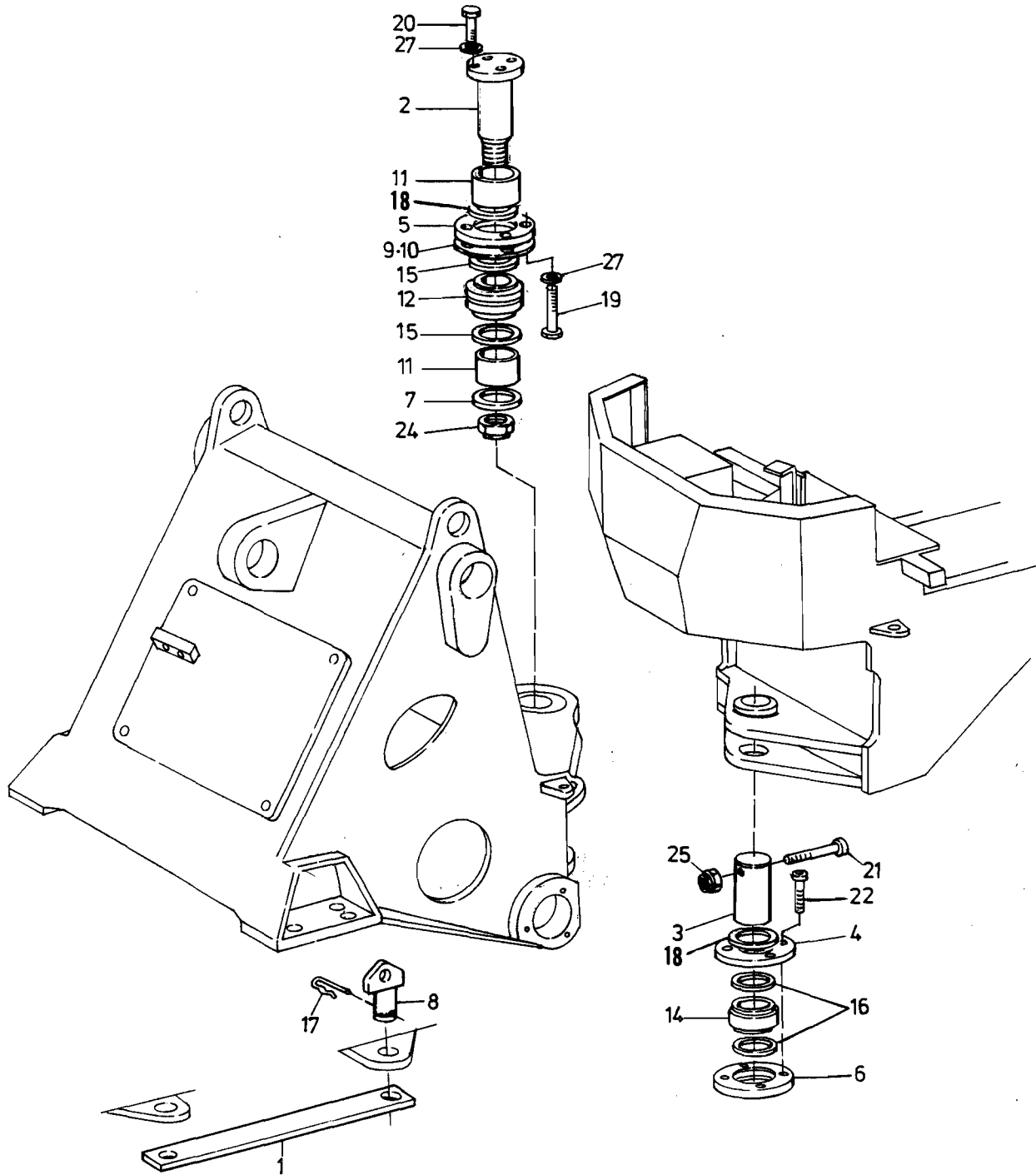


FRONT FRAME ASSEMBLY				
Item	Trojan Part No.	Faun Part No.	Description	Qty.
1		4182025	Frame Assembly, Front	1
2		4175022	Cover	1
4		4165315	Bushing	2
5		4125150	Bearing	1
6		1747051	Snap Ring	2
7		3300008	Grease Fitting	7
8		7121351	Bolt	4
9		1500065	Washer	4
10		4151163	Molding	A/R

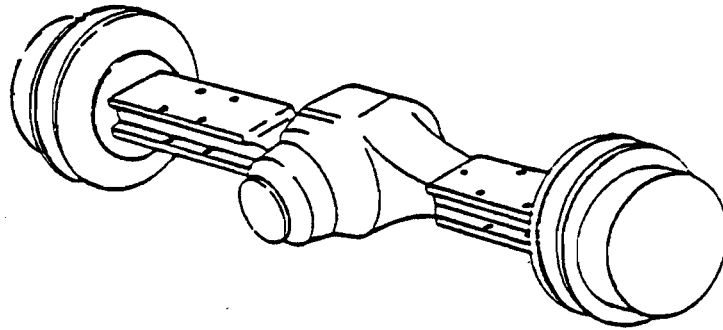
TROJAN



REAR FRAME ASSEMBLY				
Item	Trojan Part No.	Faun Part No.	Description	Qty.
1		4180541	Frame Assembly, Rear	1
2		4127467	Pin Assy., Hitch	1
2A		4121415	Bolt	2
2B		0049109	Lockwasher	2

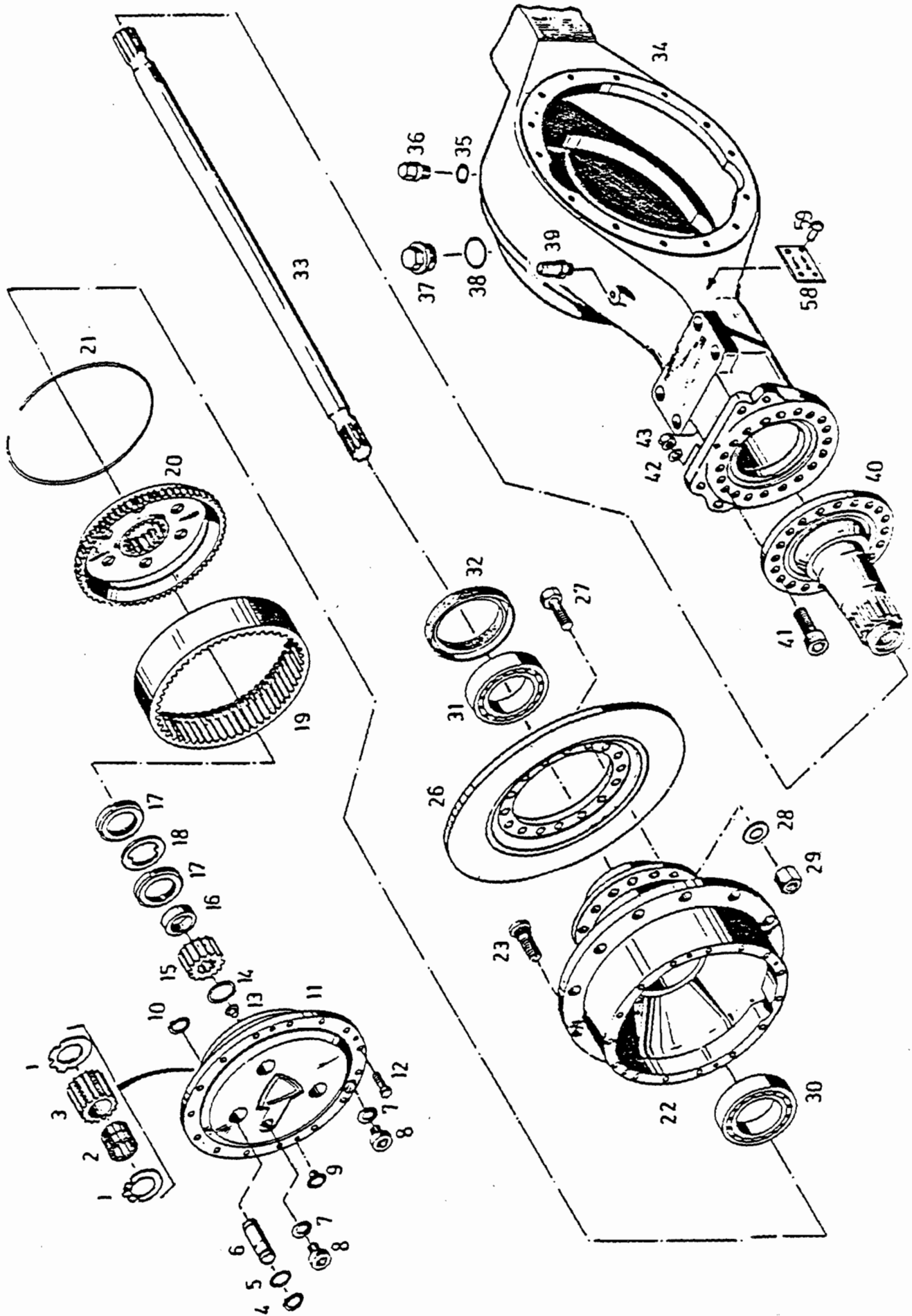


MAIN PIVOT GROUP				
Item	Trojan Part No.	Faun Part No.	Description	Qty.
1		4118054	Safety Link, Frame Lock	1
2		4168725	Pin	1
3		4168726	Pin	1
4		4168727	Plate, Lock	1
5		4175528	Plate, Lock	1
6		4175529	Plate, Lock	1
7		4168730	Washer	1
8		4127489	Pin	1
9		4168731	Shim	3
10		4168732	Shim	1
11		5069956	Bushing	2
12		5069958	Bearing, Pivot (Upper)	1
14		4125150	Bearing, Pivot (Lower)	1
15		4175341	Ring, Felt	2
16		4175340	Ring, Felt	2
17		4155977	Pin, Hair	2
18		4148915	Washer, Thrust	1
19		7120945	Bolt	4
20		7121430	Bolt	4
21		4155111	Bolt, Socket Head	1
22		0593069	Bolt, Socket Head	4
24		4155698	Nut	1
25		4155633	Locknut	1
27		1500067	Washer	8



AXLE ASSEMBLY FRONT				
Item	Trojan Part No.	Faun Part No.	Description	Qty.
I		9323129	Axle Assembly	1
A		REF	Housing & Planetary Hub Assembly (See Group 033101)	-
B		REF	Brake Disc Assembly (See Group 033102)	-
C		REF	Differential Assembly (See Group 033103-033104)	-

TROJAN



HOUSING AND PLANETARY HUB ASSEMBLY (FRONT)				
Item	Trojan Part No.	Faun Part No.	Description	Qty.
1		0026738	Washer, Thrust	12
2		5088641	Needle Bearing	6
3		0309064	Gear, Planetary	6
4		0012165	Snap Ring	6
5		0039933	O Ring	6
6		0343046	Pin	6
7		2162045	Seal	4
8		0784001	Plug	4
9		0039868	Plug	4
10		1578023	Snap Ring	6
11		0308051	Spider, Planetary	2
12		7121279	Bolt	42
13		0348017	Plug	2
14		1578019	Snap Ring	2
15		0313098	Gear, Sun	2
16		5088643	Inner Race, Bearing	2
17		4155721	Nut	4
18		4156305	Washer, Internal Tab	2
19		0311096	Gear Ring	2
20		0360071	Hub, Ring Gear	2
21		0012136	Snap Ring	2
22		0202139	Hub	2
23		0010114	Stud	24
23A		4601310	Nut	24
26		0026898	Disc, Brake	2
27		7120459	Bolt	40
28		0026589	Washer	40
29		1251072	Nut	40
30		5051018	Bearing, Roller	2
31		5088639	Bearing, Roller	2
32		0015434	Seal, Shaft	2
33		0359503	Shaft, Axle	2
34		0368451	Housing, Axle	1
35		2162045	Seal	1
36		4155204	Plug	1
37		0784007	Plug	1
38		2162035	Seal	1
39		0912007	Breather	1
40		0269074	Spindle	2
41		6220321	Bolt	32
42		0026686	Washer	32
43		1251208	Nut	32
58		2876135	Plate, Identification	1
59		2353060	Rivet	4

