

FOREWORD

Welcome to the growing family of new NISSAN owners. This vehicle is delivered to you with confidence. It was produced using the latest techniques and strict quality control.

This manual was prepared to help you understand the operation and maintenance of your vehicle so that you may enjoy many miles (kilometers) of driving pleasure. Please read through this manual before operating your vehicle.

A separate Warranty Information Booklet explains details about the warranties covering your vehicle. The “NISSAN Service and Maintenance Guide” explains details about maintaining and servicing your vehicle. Additionally, a separate Customer Care/Lemon Law Booklet (U.S. only) will explain how to resolve any concerns you may have with your vehicle, as well as clarify your rights under your state’s lemon law.

Your NISSAN dealership knows your vehicle best. When you require any service or have any questions, they will be glad to assist you with the extensive resources available to them.

READ FIRST—THEN DRIVE SAFELY

Before driving your vehicle please read this Owner’s Manual carefully. This will ensure familiarity with controls and maintenance requirements, assisting you in the safe operation of your vehicle.

WARNING

IMPORTANT SAFETY INFORMATION REMINDERS FOR SAFETY!

Follow these important driving rules to help ensure a safe and complete trip for you and your passengers!

- **NEVER** drive under the influence of alcohol or drugs.
- **ALWAYS** observe posted speed limits and never drive too fast for conditions.
- **ALWAYS** give your full attention to driving and avoid using vehicle features or taking other actions that could distract you.
- **ALWAYS** use your seat belts and appropriate child restraint systems. **Preteen children should be seated in the rear seat.**
- **ALWAYS** provide information about the proper use of vehicle safety features to all occupants of the vehicle.

- **ALWAYS** review this owner’s manual for important safety information.

MODIFICATION OF YOUR VEHICLE

This vehicle should not be modified. Modification could affect its performance, safety or durability, and may even violate governmental regulations. In addition, damage or performance problems resulting from modifications may not be covered under NISSAN warranties.

WHEN READING THE MANUAL

This manual includes information for all options available on this model. Therefore, you may find some information that does not apply to your vehicle.

All information, specifications and illustrations in this manual are those in effect at the time of printing. NISSAN reserves the right to change specifications or design without notice and without obligation.

IMPORTANT INFORMATION ABOUT THIS MANUAL

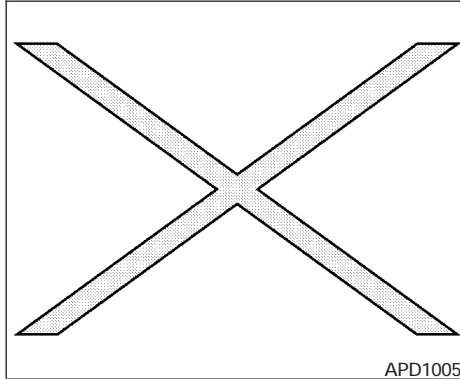
You will see various symbols in this manual. They are used in the following ways:

WARNING

This is used to indicate the presence of a hazard that could cause death or serious personal injury. To avoid or reduce the risk, the procedures must be followed precisely.

CAUTION

This is used to indicate the presence of a hazard that could cause minor or moderate personal injury or damage to your vehicle. To avoid or reduce the risk, the procedures must be followed carefully.



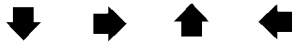
If you see this symbol, it means **“Do not do this”** or **“Do not let this happen.”**



If you see a symbol similar to these in an illustration, it means the arrow points to the front of the vehicle.



Arrows in an illustration that are similar to these indicate movement or action.



Arrows in an illustration that are similar to these call attention to an item in the illustration.

CALIFORNIA PROPOSITION 65 WARNING

WARNING

Engine exhaust, some of its constituents, and certain vehicle components contain or emit chemicals known to the State of California to cause cancer and birth defects or other reproductive harm. In addition, certain fluids contained in vehicles and certain products of component wear contain or emit chemicals known to the State of California to cause cancer and birth defects or other reproductive harm.

BLUETOOTH® is a trademark owned by Bluetooth SIG, Inc., U.S.A. and licenced to Xanavi Informatics Corporation.



© 2006 NISSAN NORTH AMERICA, INC.

All rights reserved. No part of this Owner's Manual may be reproduced or stored in a retrieval system, or transmitted in any form, or by any means, electronic, mechanical, photocopying, recording or otherwise, without the prior written permission of Nissan North America, Inc.

NISSAN CUSTOMER CARE PROGRAM

NISSAN CARES . . .

Both NISSAN and your NISSAN dealer are dedicated to serving all your automotive needs. Your satisfaction with your vehicle and your NISSAN dealer are our primary concerns. Your NISSAN dealer is always available to assist you with all your automobile sales and service needs.

However, if there is something that your NISSAN dealer cannot assist you with or you would like to provide NISSAN directly with comments or questions, please contact the NISSAN Consumer Affairs Department using our toll-free number:

For U.S. customers
1-800-NISSAN-1
(1-800-647-7261)

For Canadian customers
1-800-387-0122

The Consumer Affairs Department will ask for the following information:

- Your name, address, and telephone number
- Vehicle identification number (attached to the top of the instrument panel on the driver's side)
- Date of purchase
- Current odometer reading
- Your NISSAN dealer's name
- Your comments or questions

OR

You can write to NISSAN with the information at:

For U.S. customers
Nissan North America, Inc.
Consumer Affairs Department
P.O. Box 191
Gardena, California 90248-0191

For Canadian customers
Nissan Canada Inc.
5290 Orbitor Drive
Mississauga, Ontario L4W 4Z5

We appreciate your interest in NISSAN and thank you for buying a quality NISSAN vehicle.

Table of Contents

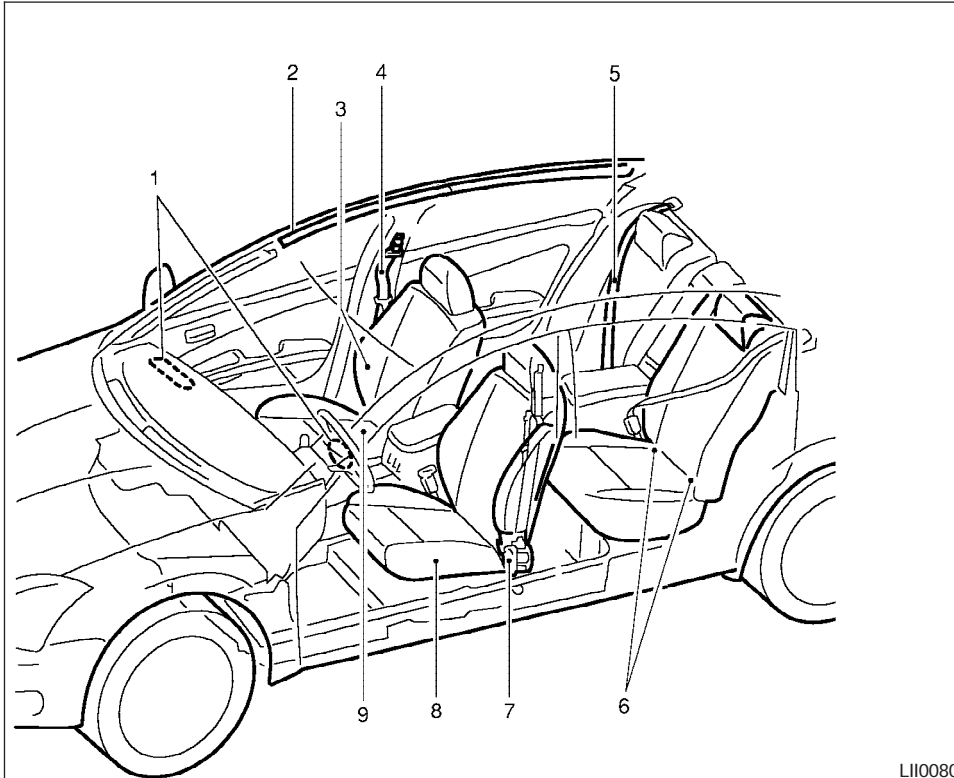
Illustrated table of contents	0
Safety—Seats, seat belts and supplemental restraint system	1
Instruments and controls	2
Pre-driving checks and adjustments	3
Heater, air conditioner, audio and phone systems	4
Starting and driving	5
In case of emergency	6
Appearance and care	7
Maintenance and do-it-yourself	8
Technical and consumer information	9
Index	10

0 Illustrated table of contents

Airbags, seat belts and child restraints	0-2
Exterior front	0-3
Exterior rear	0-4
Passenger compartment	0-5

Instrument panel	0-6
Engine compartment check locations	0-7
Warning/indicator lights	0-8

AIRBAGS, SEAT BELTS AND CHILD RESTRAINTS

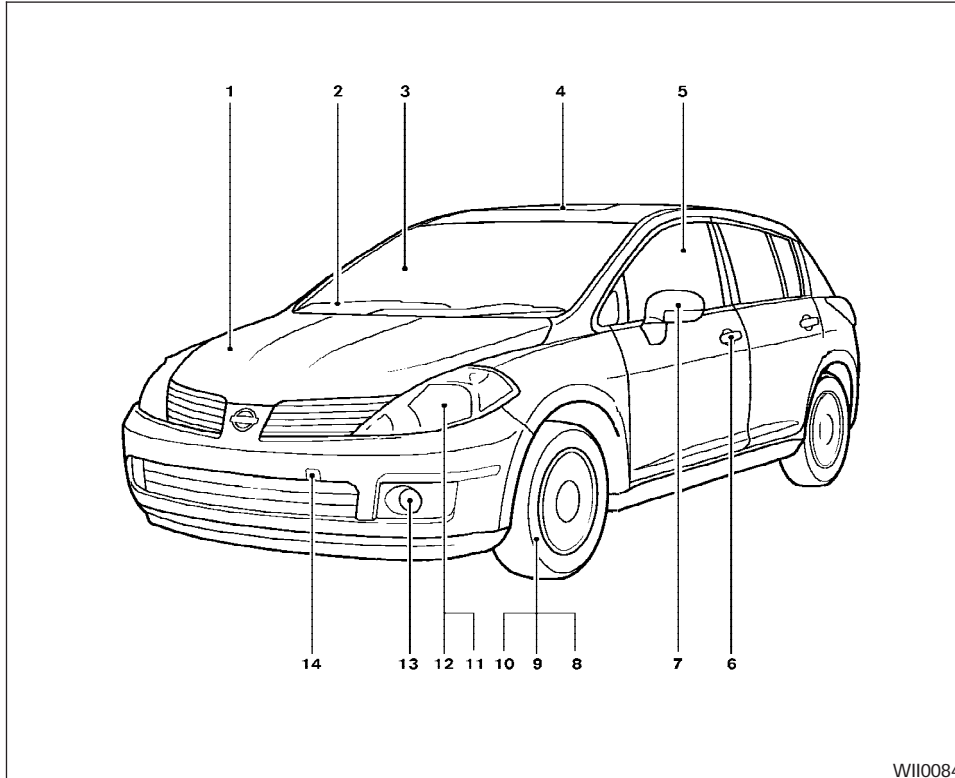


1. Supplemental front impact air bags (P. 1-33)
2. Supplemental curtain side-impact air bag (P. 1-33)
3. Supplemental side impact air bags (P. 1-33)
4. Front seat belts (P. 1-6)
5. Rear seat belts (P. 1-6)
6. LATCH (Lower Anchors and Tethers for Children) (P. 1-16)
7. Seat belt pre-tensioners (P. 1-46)
8. Seats (P. 1-2)
9. Occupant classification sensor (pressure sensor) (P.1-33)

See the page number indicated in parentheses for operating details.

LI10080

EXTERIOR FRONT

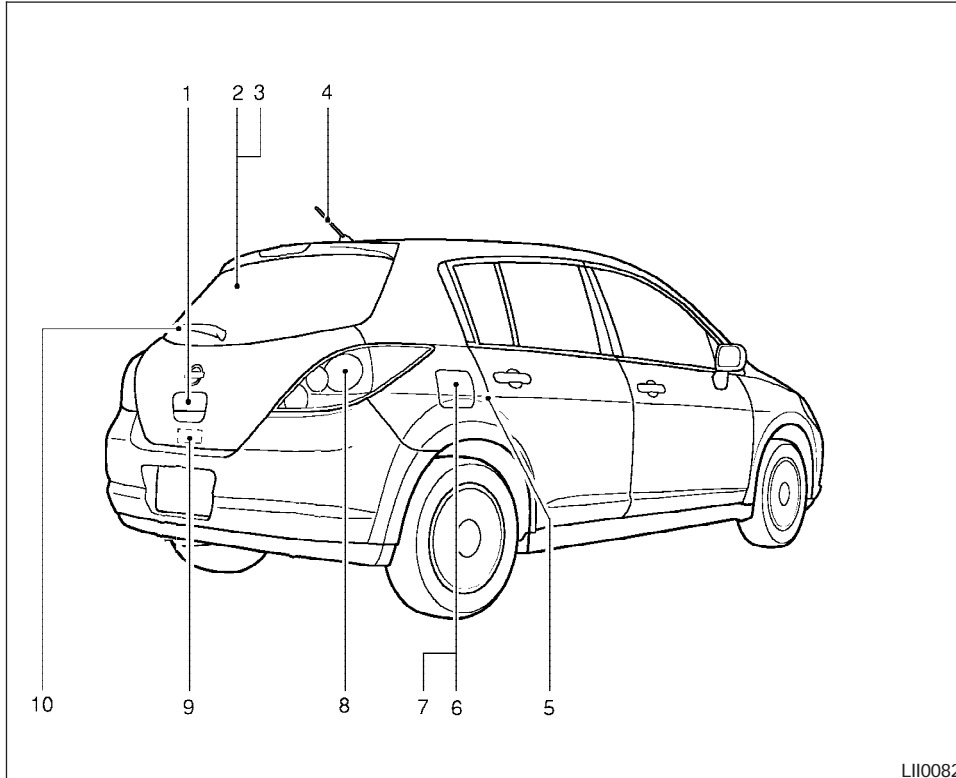


1. Engine hood (P. 3-22)
2. Windshield wiper and washer switch (P. 2-17)
3. Windshield (P. 8-16)
4. Sunroof (if so equipped) (P. 2-30)
5. Power windows (P. 2-28)
6. Door locks, keyfob, Intelligent Key system, keys (P. 3-4, 3-7, 3-10, 3-2)
7. Mirrors (P. 3-27)
8. Tire pressure (P. 8-28)
9. Flat tire (P. 6-2)
10. Tire chains (P. 8-35)
11. Headlight and turn signal switch (P. 2-19)
12. Replacing bulbs (P. 8-24)
13. Fog light switch (P. 2-19)
14. Tie down hook (P. 6-13)

See the page number indicated in parentheses for operating details.

WI10084

EXTERIOR REAR

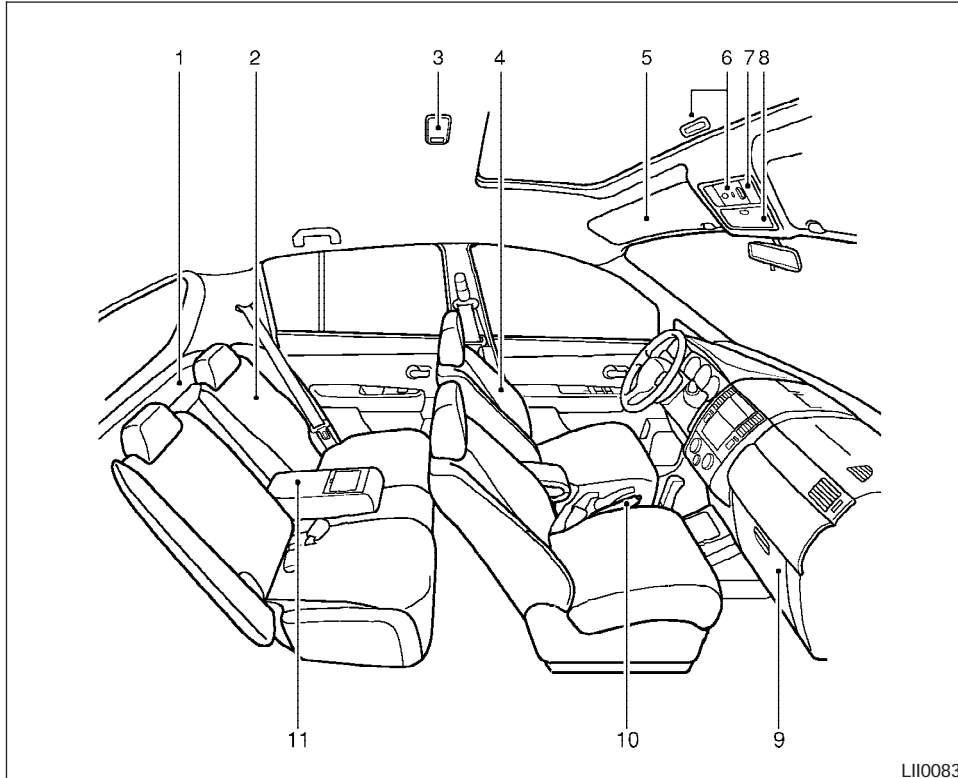


1. Rear hatch (P. 3-23)
2. Rear window
3. Rear window defroster switch (P. 2-18)
4. Antenna (P. 4-26)
5. Child safety locks (P. 3-6)
6. Fuel-filler door (P. 3-25)
7. Fuel-filler cap, fuel recommendation (P. 3-25, P. 9-3)
8. Replacing bulbs (P. 8-24)
9. Interior hatch release (P. 3-24)
10. Rear window wiper and washer (P. 2-18)

See the page number indicated in parentheses for operating details.

LI10082

PASSENGER COMPARTMENT

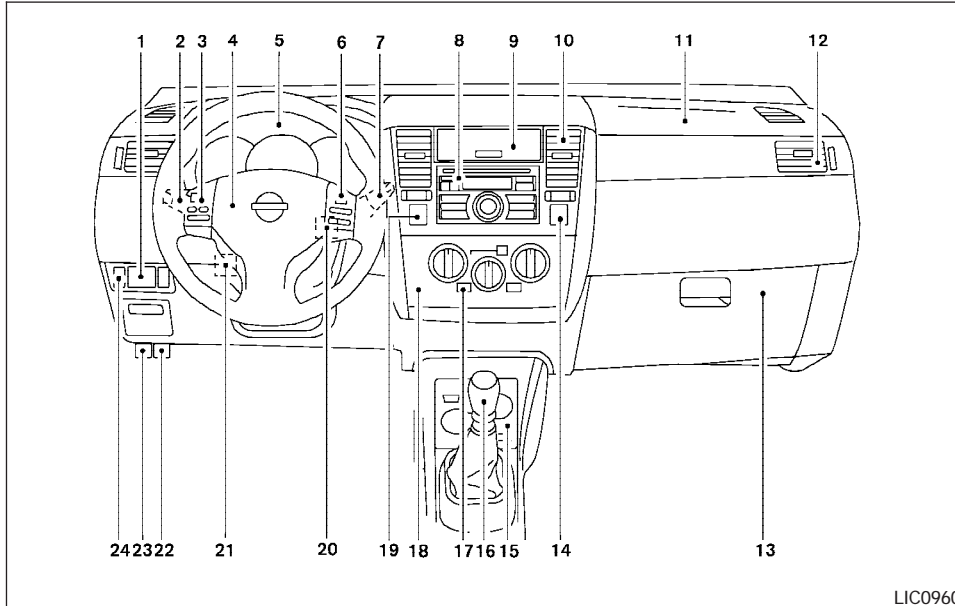


1. Tonneau cover (P. 2-27)
2. Rear seat (P. 1-4)
3. Interior lights, illuminated entry (P. 2-32, P. 2-19)
4. Front seat (P. 1-2)
5. Sun visors (P. 3-27)
6. Sunroof switch (if so equipped) (P. 2-30)
7. Map lights (P. 2-33)
8. Sunglass holder (P. 2-25)
9. Glove box (P. 2-26)
10. Parking brake, parking on hills (P. 5-17, P. 5-21)
11. Rear armrest (P. 2-25)

See the page number indicated in parentheses for operating details.

LI10083

INSTRUMENT PANEL



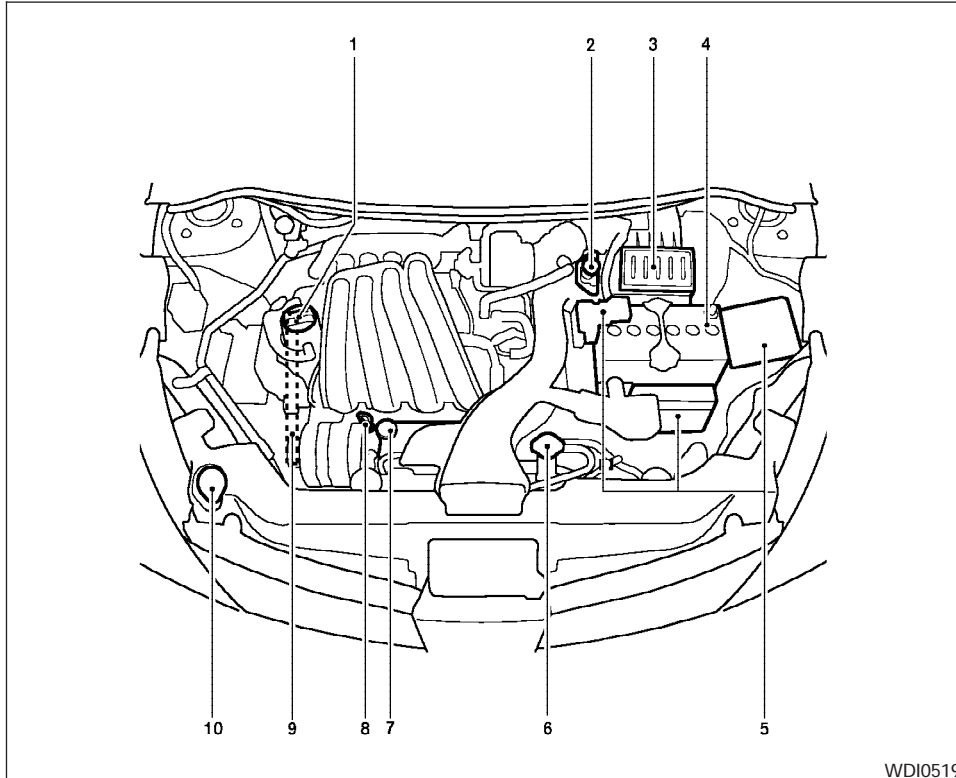
1. Outside mirror control switch (P. 3-28)
2. Headlight/fog light (if so equipped)/turn signal switch (P. 2-19)
3. Steering wheel switch for audio control and Bluetooth® hands-free phone system (if so equipped) (P. 4-25, 4-27)

4. Driver's supplemental air bag/horn (P. 1-33, 2-22)
5. Meters and gauges (P. 2-3)
6. Cruise control main/set switches (if so equipped) (P. 5-18)

7. Windshield wiper/washer switch (P. 2-17, 2-18)
8. Audio system (P. 4-10)
9. Storage bin (P. 2-23)
10. Center ventilator (P. 4-2)
11. Passenger's supplemental air bag (P. 1-33)
12. Side ventilator (P. 4-2)
13. Glove box (P. 2-26)
14. Passenger air bag status light (P. 1-33)
15. Cup holders (P. 2-25)
16. Shift selector lever (P. 5-12)
17. Defroster switch (P. 2-18)
18. Climate control (P. 4-3)
19. Hazard warning flasher switch (P. 2-21)
20. Ignition switch (P. 5-5)
21. Tilt steering (P. 3-26)
22. Hood release lever (P. 3-22)
23. Fuel-filler door release lever (P. 3-25)
24. Instrument brightness control (P. 2-20)

See the page number indicated in parentheses for operating details.

ENGINE COMPARTMENT CHECK LOCATIONS



1. Engine oil filler cap (P. 8-8)
2. Brake and clutch (*1) fluid reservoir
3. Air cleaner (P. 8-16)
4. Battery (P. 8-13)
5. Fuse/fusible link box (P. 8-19)
6. Radiator cap (P. 8-7)
7. Engine coolant reservoir (P. 8-7)
8. Engine oil dipstick (P. 8-8)
9. Drive belt location (P.8-14)
10. Windshield washer fluid reservoir (P. 8-12)

*1 For Manual Transmission (M/T) model

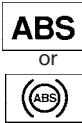
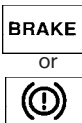
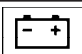


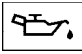
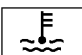
NOTE:

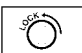





Engine cover removed for clarity.



See the page number indicated in parentheses for operating details.

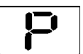


WDI0519




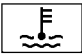

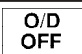


WARNING/INDICATOR LIGHTS

Warning light	Name	Page
	Anti-lock braking warning light (if so equipped)	2-7
	Brake warning light	2-7
	Charge warning light	2-8
	Door open warning light	2-8
	Electric power steering warning light	2-8
	Engine oil pressure warning light	2-8
	High temperature warning light (red)	2-9

Warning light	Name	Page
	Intelligent Key lock warning light (M/T models)(if so equipped)	2-9
	Intelligent Key system warning light (if so equipped)	2-9
	Low fuel warning light	2-9
	Low tire pressure warning light (if so equipped)	2-9
	Low windshield washer fluid warning light (if so equipped)	2-10
	P position selecting warning light (CVT models)(if so equipped)	2-10

Warning light	Name	Page
	Seat belt warning light and chime	2-11
	Supplemental air bag warning light	2-11

Indicator light	Name	Page
	Continuously Variable Transmission (CVT) position indicator light (CVT models)	2-11
	CRUISE main switch indicator light (if so equipped)	2-11
	Cruise SET switch indicator light (if so equipped)	2-12

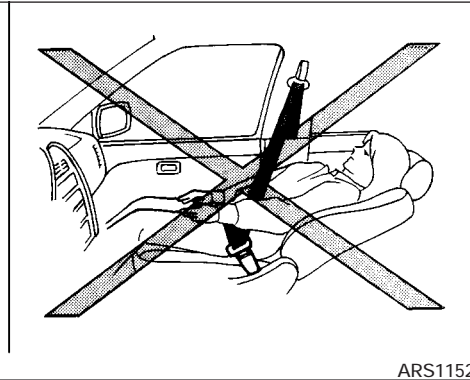
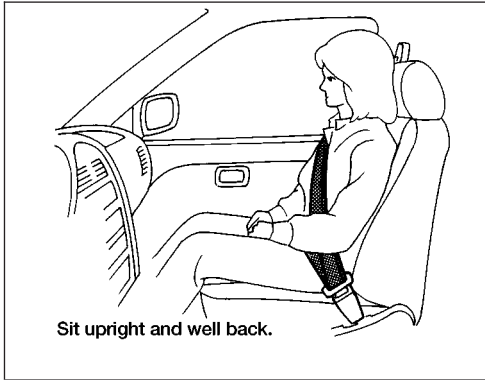
Indicator light	Name	Page
	Front fog lights indicator light (if so equipped)	2-12
	Front passenger air bag status light	2-12
	High beam indicator light (blue)	2-12
	Low temperature indicator light (blue)	2-12
	Malfunction indicator light (MIL)	2-12
	Overdrive off indicator light (CVT models)	2-13
	Security indicator light	2-13
	Turn signal/hazard indicator lights	2-13

MEMO

1 Safety—Seats, seat belts and supplemental restraint system

Seats	1-2	LATCH (Lower Anchors and Tethers for Children) system	1-16
Front manual seat adjustment	1-2	Top tether strap child restraint	1-17
Folding rear seat	1-4	Child Restraint Installation Using LATCH	1-18
Active head restraint (front seats)	1-4	Child Restraint Installation Using The Seat Belts	1-22
Head restraint adjustment	1-5	Booster seats	1-28
Seat belts	1-6	Precautions on booster seats	1-28
Precautions on seat belt usage	1-6	Booster seat installation	1-31
Child safety	1-8	Supplemental restraint system	1-33
Pregnant women	1-10	Precautions on supplemental restraint system	1-33
Injured persons	1-10	Supplemental air bag warning labels	1-47
Three-point type seat belt with retractor	1-10	Supplemental air bag warning light	1-47
Seat belt extenders	1-13		
Seat belt maintenance	1-13		
Child restraints	1-14		
Precautions on child restraints	1-14		

SEATS

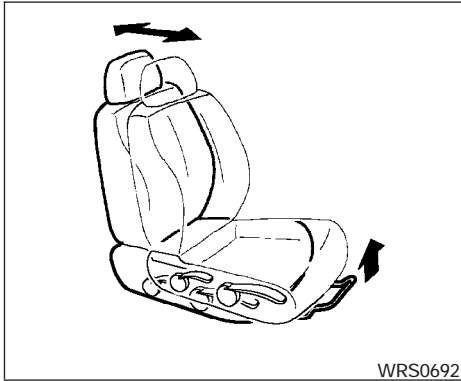


FRONT MANUAL SEAT ADJUSTMENT

WARNING

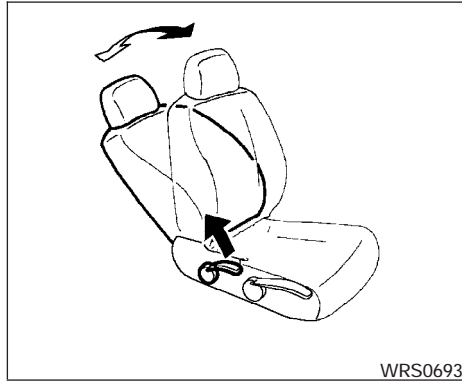
- Do not ride in a moving vehicle when the seatback is reclined. This can be dangerous. The shoulder belt will not be against your body. In an accident, you could be thrown into it and receive neck or other serious injuries. You could also slide under the lap belt and receive serious internal injuries.

- For the most effective protection when the vehicle is in motion, the seat should be upright. Always sit well back in the seat with both feet on the floor and adjust the seat properly. See “Precautions on Seat Belt Usage” later in this section.
- After adjustment, gently rock in the seat to make sure it is securely locked.
- Do not leave children unattended inside the vehicle. They could unknowingly activate switches or controls. Unattended children could become involved in serious accidents.



Forward and backward

Pull the lever up and hold it while you slide the seat forward or backward to the desired position. Release the lever to lock the seat in position.



Reclining

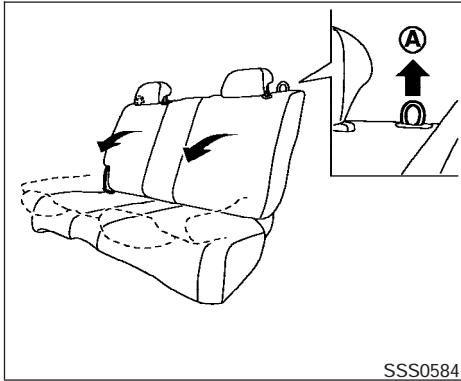
To recline the seatback, pull the lever up and lean back. To bring the seatback forward, pull the lever up and lean your body forward. Release the lever to lock the seatback in position.

The reclining feature allows adjustment of the seatback for occupants of different sizes for added comfort and to help obtain proper seat belt fit. See "Precautions on seat belt usage" later in this section. Also, the seatback can be reclined to allow occupants to rest when the vehicle is stopped.



Seat lifter (if so equipped for driver's seat)

Pull up or push down the adjusting lever to adjust the seat height until the desired position is achieved.



SSS0584

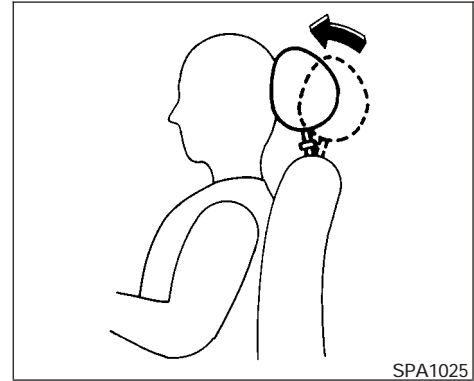
FOLDING REAR SEAT

- 1 Remove the tonneau cover from the rear seatback.
- 2 Pull the knob **A** to fold each seatback down.

⚠ WARNING

- **Never allow anyone to ride in the cargo area or on the rear seat when it is in the fold-down position. Use of these areas by passengers without proper restraints could result in serious injury in an accident or sudden stop.**

- **Properly secure all cargo with ropes or straps to help prevent it from sliding or shifting. Do not place cargo higher than the seatbacks. In a sudden stop or collision, unsecured cargo could cause personal injury.**
- **When returning the seatbacks to the upright position, be certain they are completely secured in the latched position. If they are not completely secured, passengers may be injured in an accident or sudden stop.**
- **Closely supervise children when they are around cars to prevent them from playing and becoming locked in the trunk where they could be seriously injured. Keep the car locked, with the rear seatback and trunk lid securely latched when not in use, and prevent children's access to car keys.**



SPA1025

ACTIVE HEAD RESTRAINT (front seats)

⚠ WARNING

- **Always adjust the head restraints properly as specified in the previous section. Failure to do so can reduce the effectiveness of the active head restraint.**
- **Active head restraints are designed to supplement other safety systems. Always wear seat belts. No system can prevent all injuries in any accident.**