

NISSAN

MODEL **SD** SERIES
DIESEL ENGINE
SD22, SD23, SD25 & SD33

SERVICE MANUAL
2nd Revision



ENGINE MECHANICAL

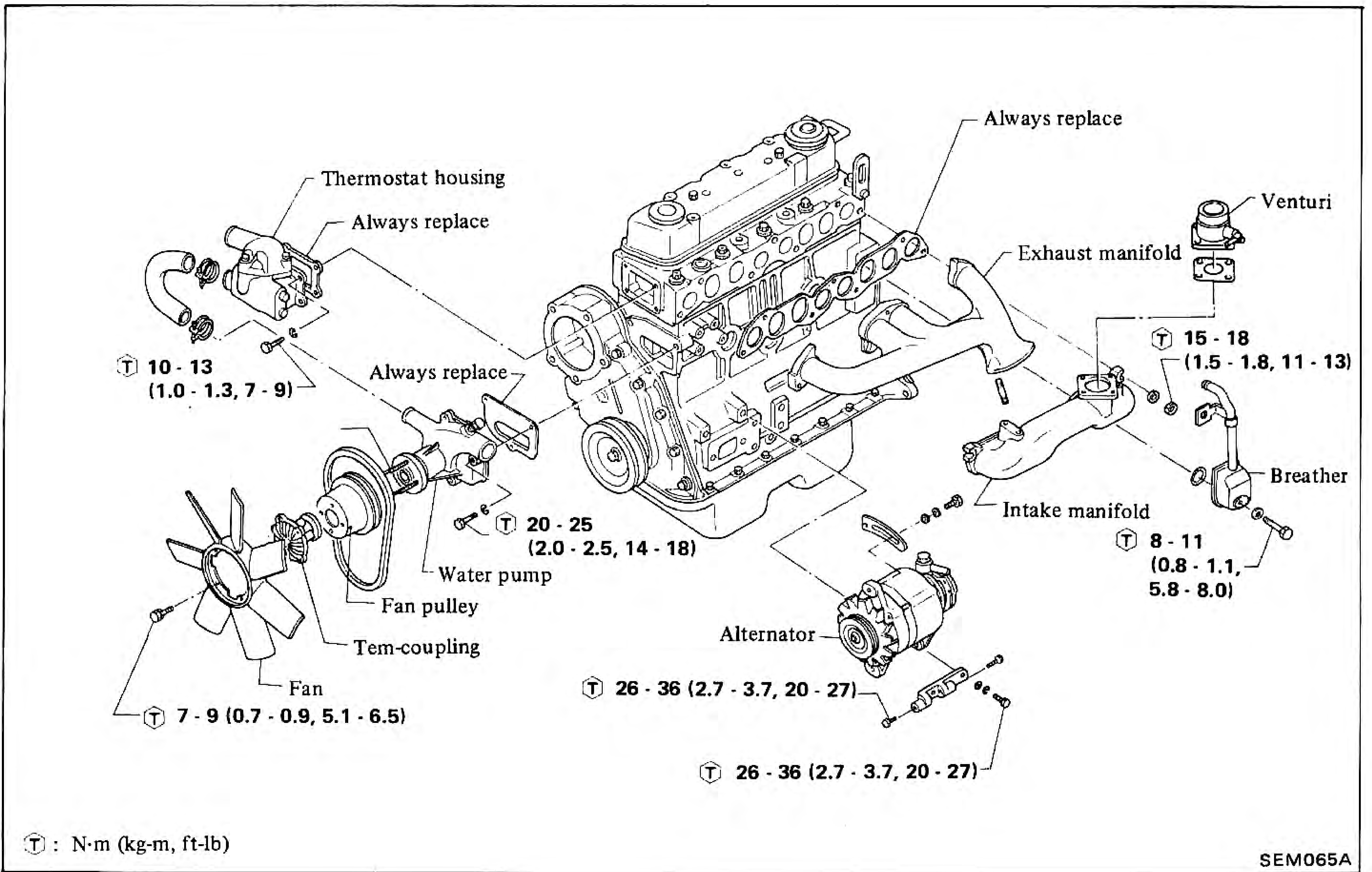
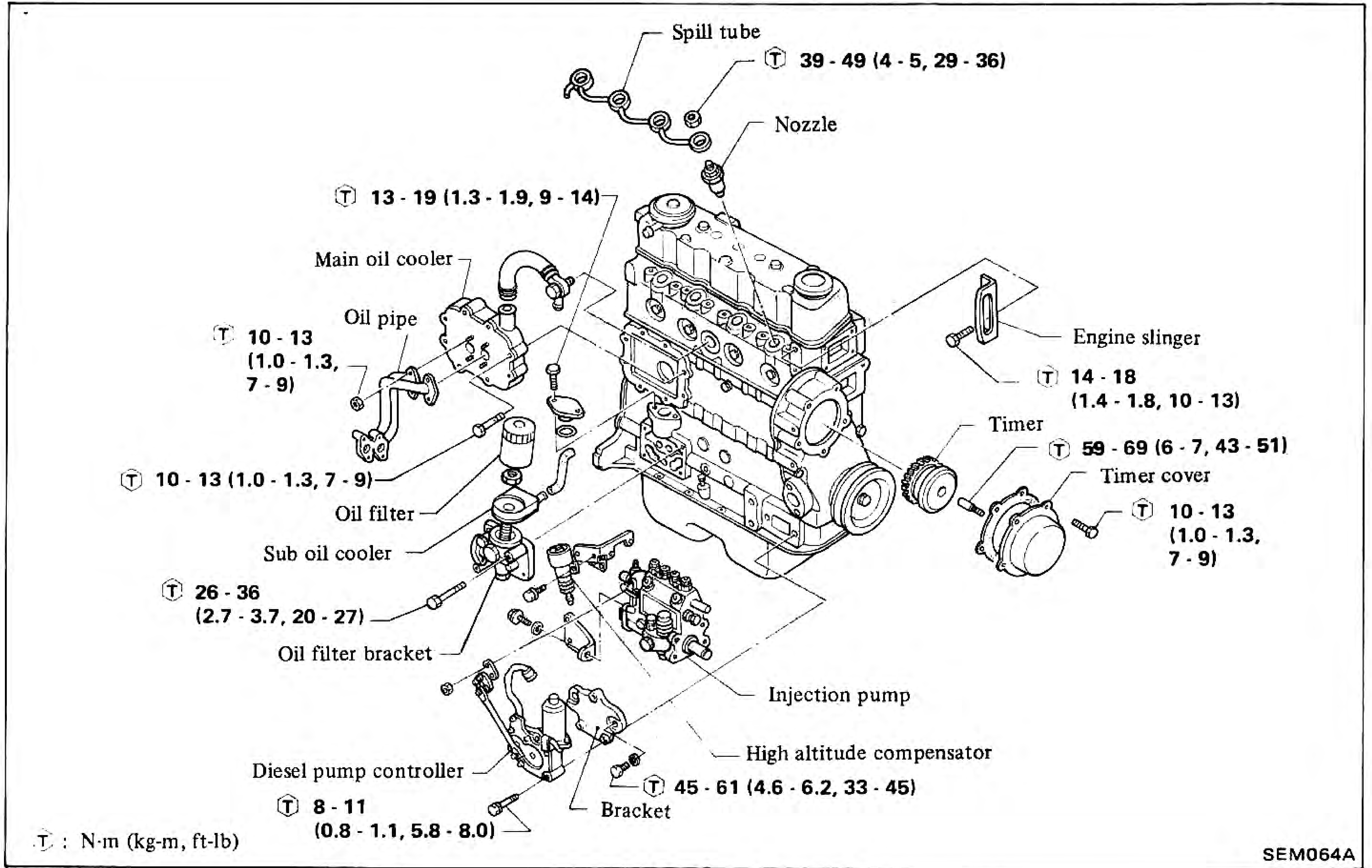
SECTION EM

CONTENTS

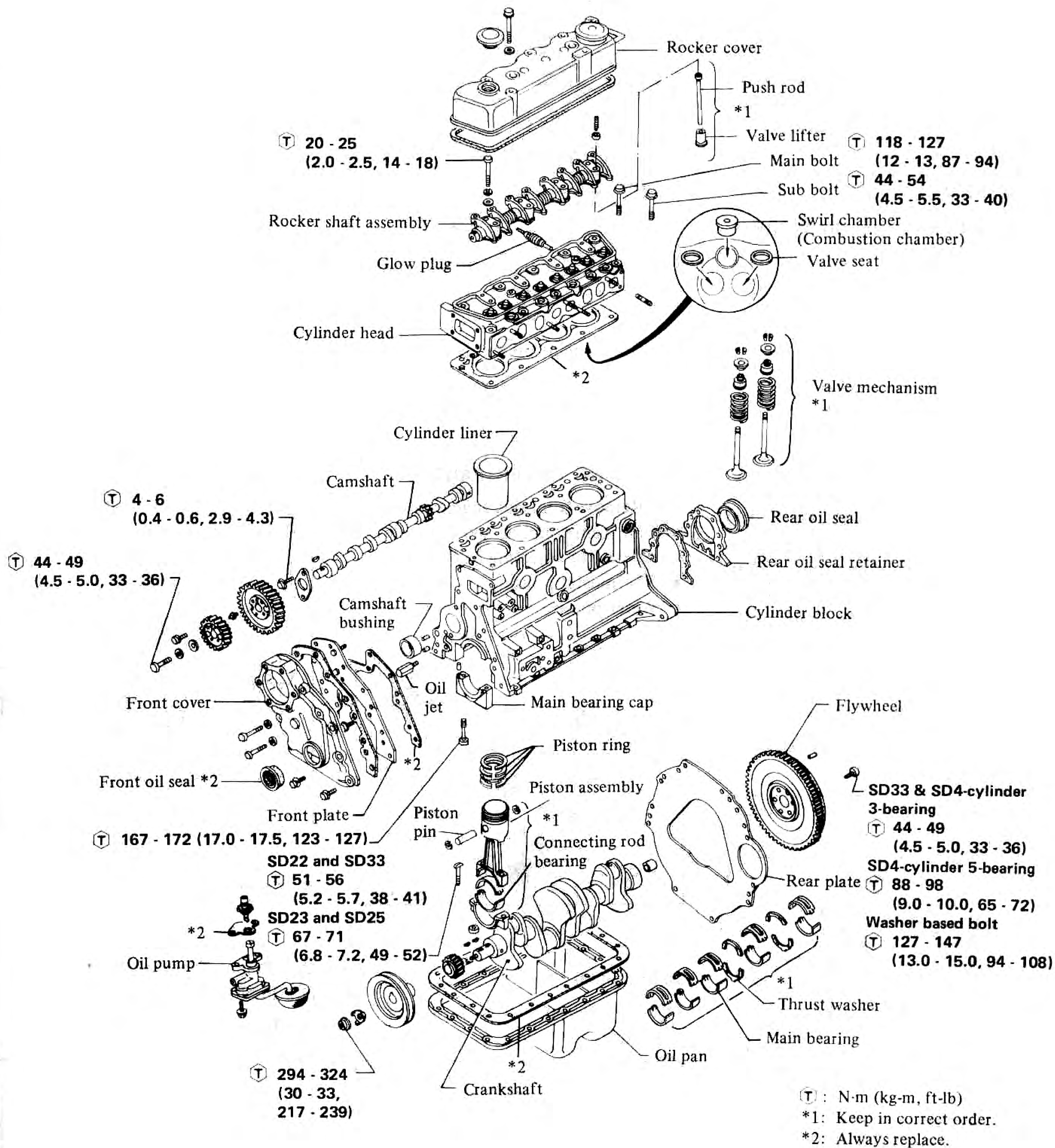
EM

ENGINE COMPONENTS (Outer parts)	EM- 2	CRANKSHAFT	EM-14
ENGINE COMPONENTS (Internal parts)	EM- 3	BEARINGS	EM-15
ENGINE DISASSEMBLY	EM- 4	CRANKSHAFT PILOT BUSHING	EM-15
PRECAUTIONS	EM- 4	COMBUSTION CHAMBER	EM-16
DISASSEMBLY	EM- 4	FLYWHEEL	EM-16
DISASSEMBLING PISTON AND CONNECTING ROD	EM- 7	GEAR TRAIN	EM-16
DISASSEMBLING CYLINDER HEAD	EM- 7	FRONT PLATE	EM-16
INSPECTION AND REPAIR	EM- 8	ENGINE ASSEMBLY	EM-17
CYLINDER HEAD AND VALVE	EM- 8	PRECAUTIONS	EM-17
CAMSHAFT AND CAMSHAFT BUSHING	EM-11	ASSEMBLING CYLINDER HEAD	EM-17
CYLINDER BLOCK	EM-12	ASSEMBLING PISTON AND CONNECTING ROD	EM-17
CYLINDER LINER	EM-12	ASSEMBLING ENGINE OVERALL	EM-18
PISTON, PISTON PIN AND PISTON RINGS	EM-13	SERVICE DATA AND SPECIFICATIONS	EM-23
CONNECTING ROD	EM-14	INSPECTION AND ADJUSTMENT	EM-23
		TIGHTENING TORQUE	EM-29
		SPECIAL SERVICE TOOLS	EM-31

ENGINE COMPONENTS (Outer parts)



ENGINE COMPONENTS (Internal parts)



ENGINE DISASSEMBLY

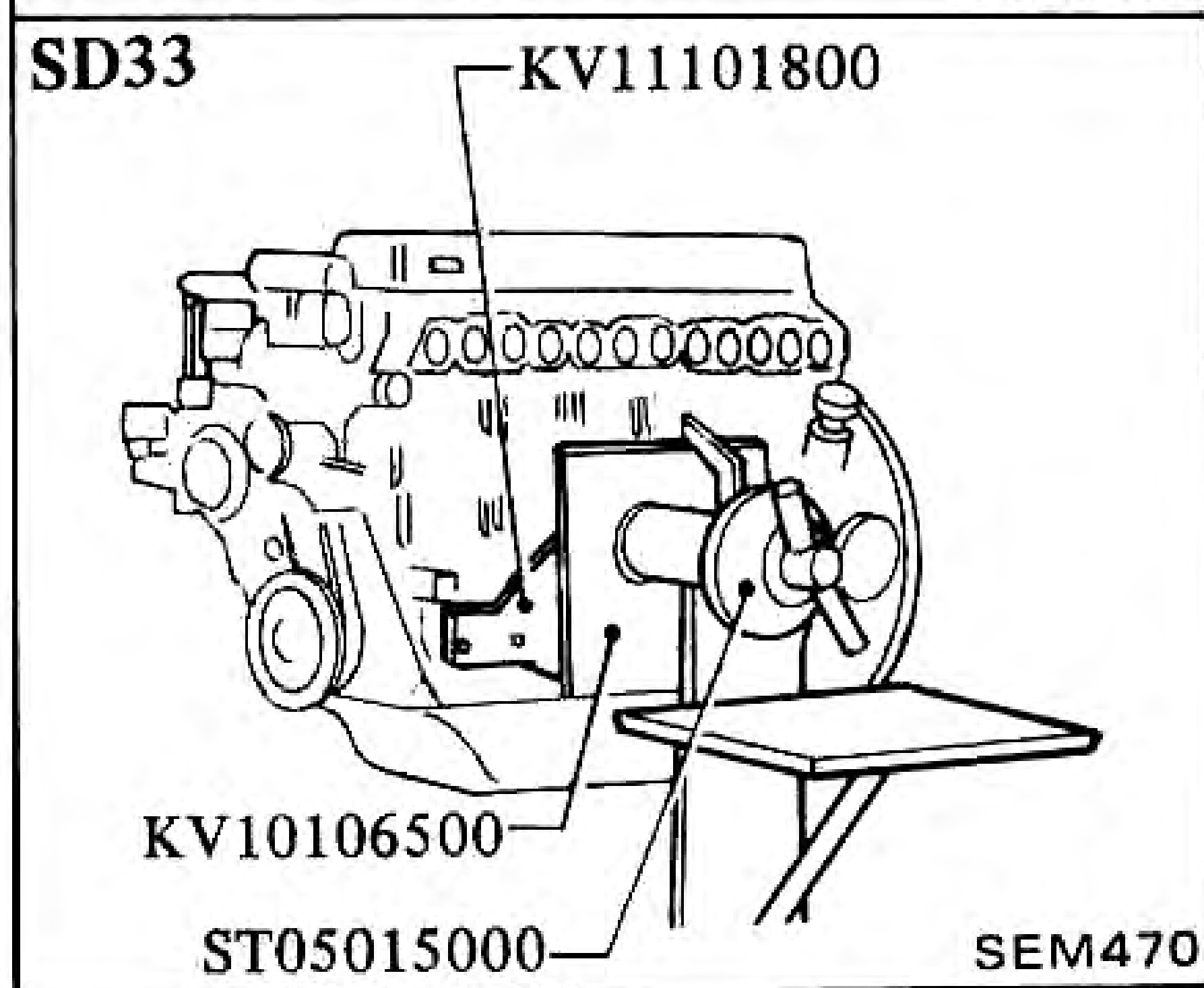
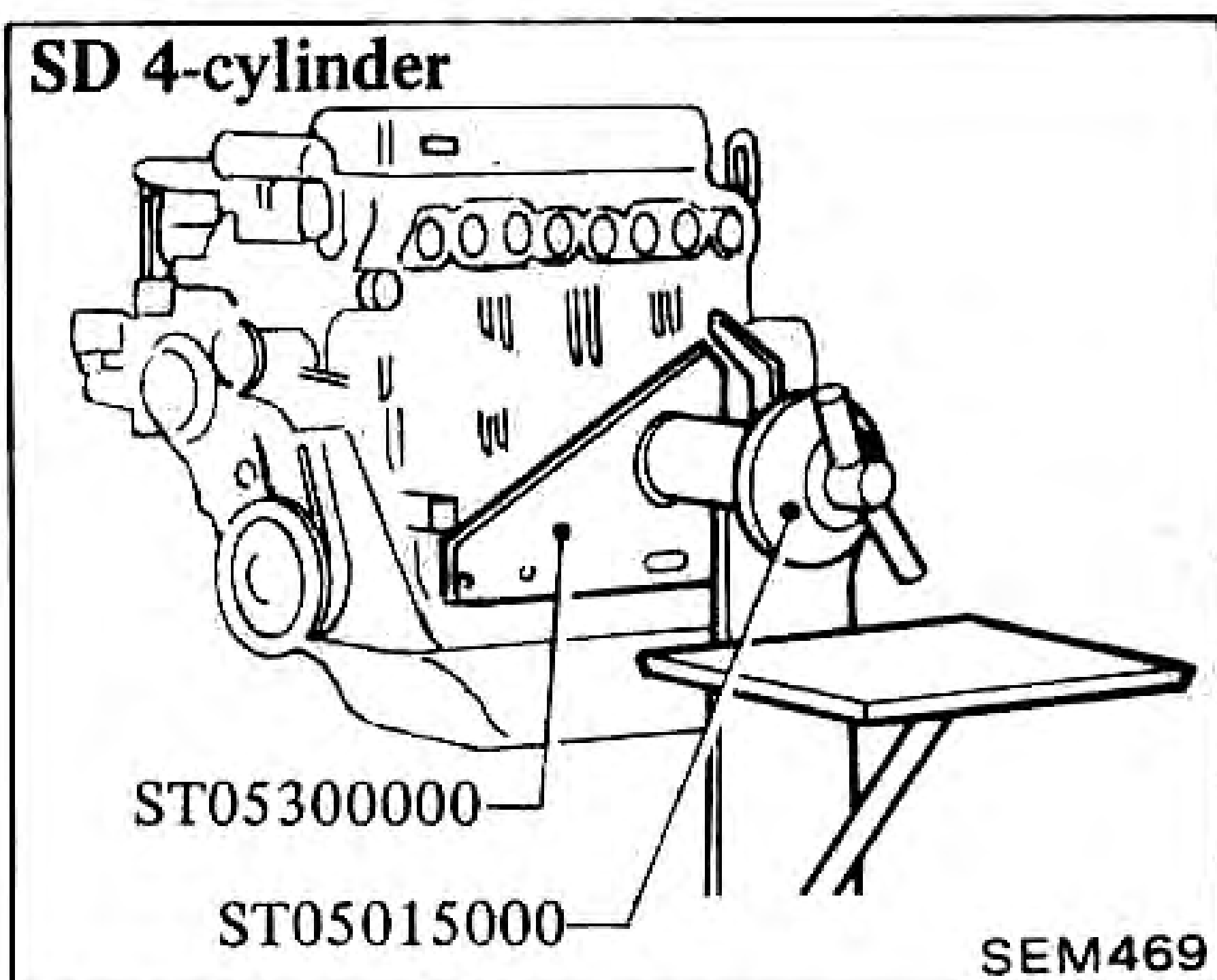
PRECAUTIONS

Arrange the disassembled parts on the parts stand in accordance with their assembled locations, sequence, etc., so that the parts will be reassembled in their original locations. Place mating marks on the parts if necessary.

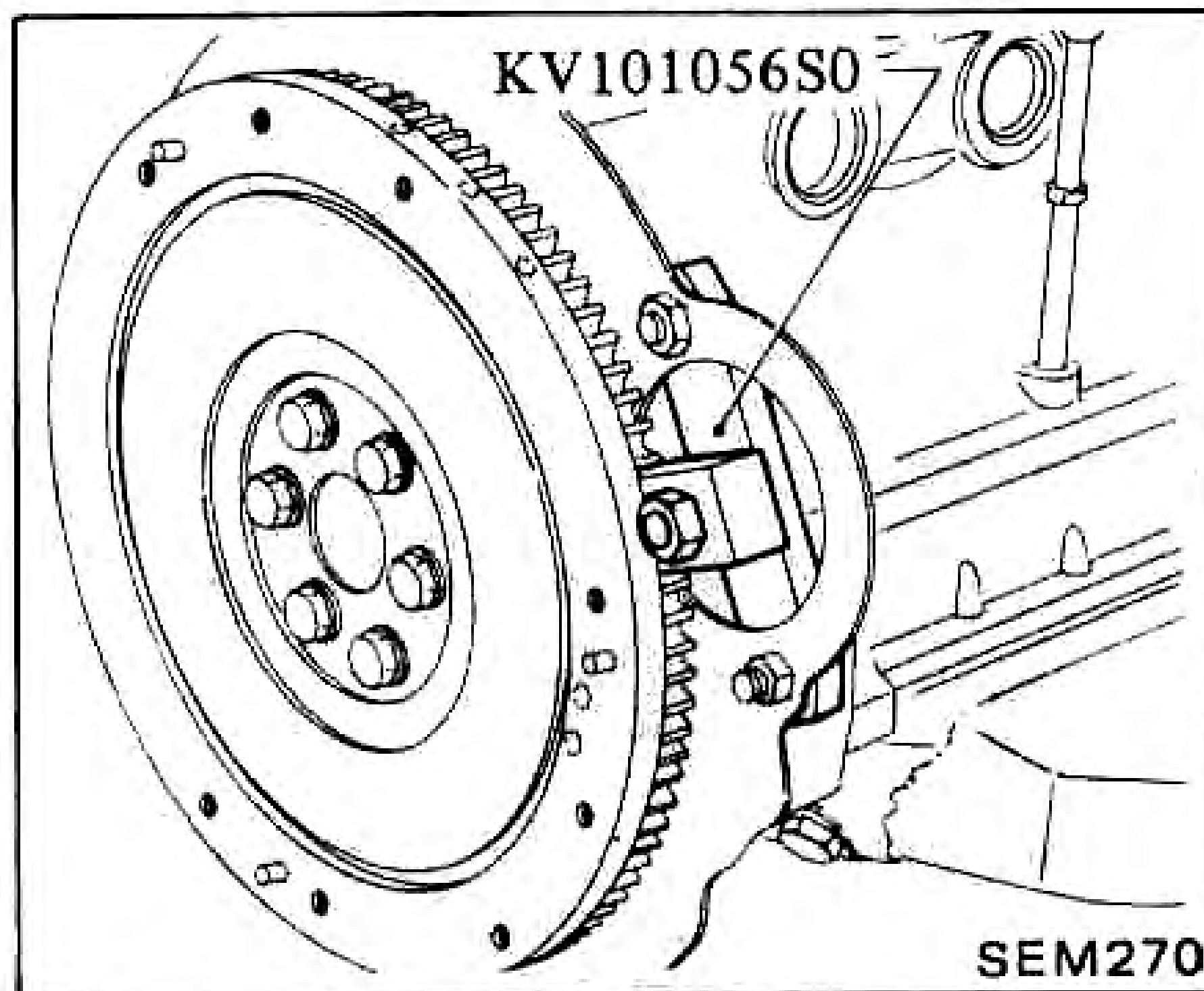
DISASSEMBLY

MOUNTING ENGINE ON WORK STAND

- Remove rear and left side parts.
 - Transmission assembly
 - Clutch cover assembly
 - Starter motor
 - Engine mounting bracket
 - Alternator assembly and fan belt
 - Alternator bracket
 - Intake manifold with venturi
 - Exhaust manifold & engine slinger
 - Breather assembly (SD 4-cylinder)
- Install engine attachment on engine, using engine mounting bracket holes, air breather mounting hole and starter motor mounting holes (SD 4-cylinder). Install engine attachment on engine, using mounting bracket holes and cylinder block water drain cock hole (SD33).
- Place both engine and attachment on engine stand.



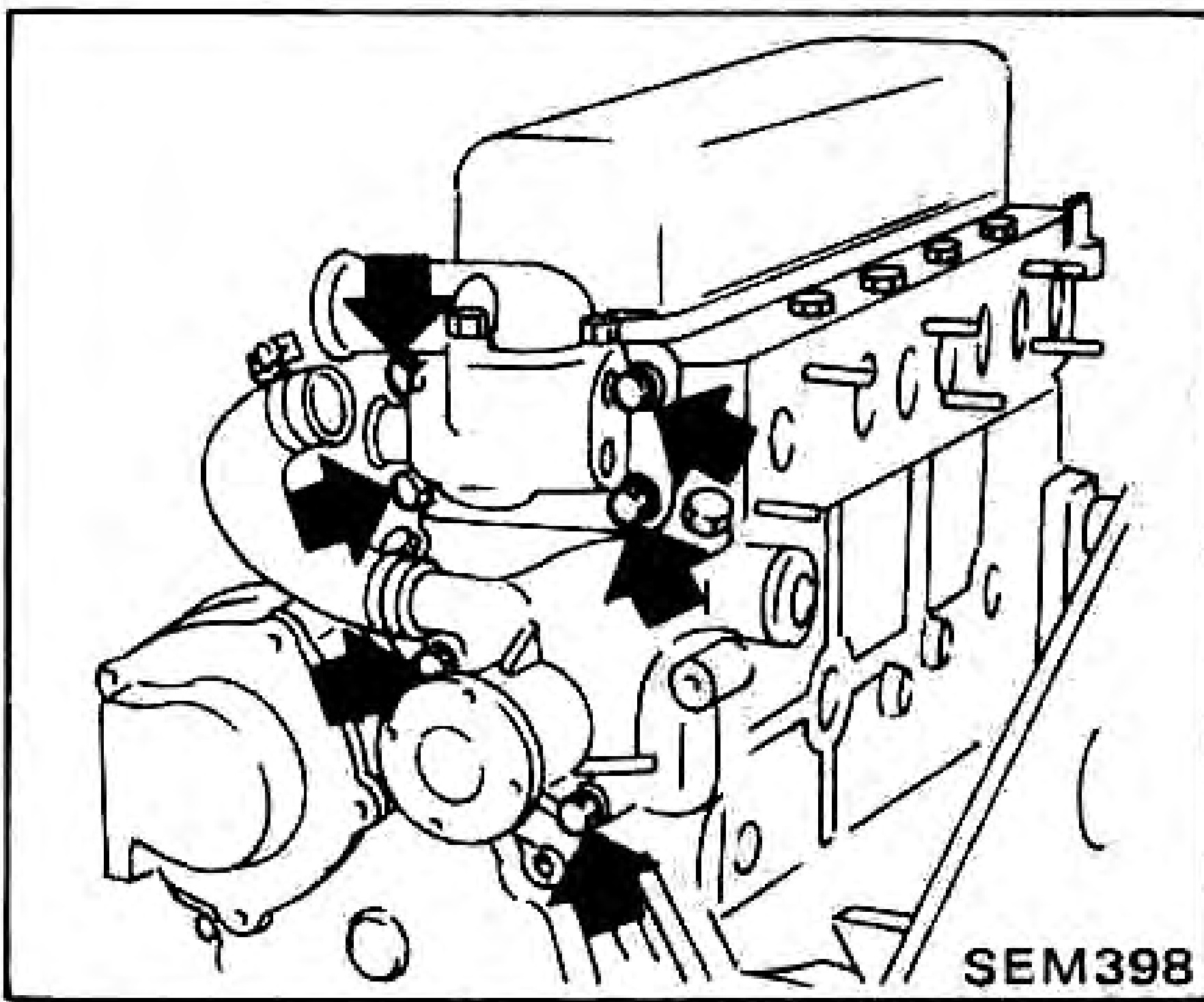
- Install Tool to prevent crankshaft rotation (SD 4-cylinder).



- Drain engine oil and coolant.

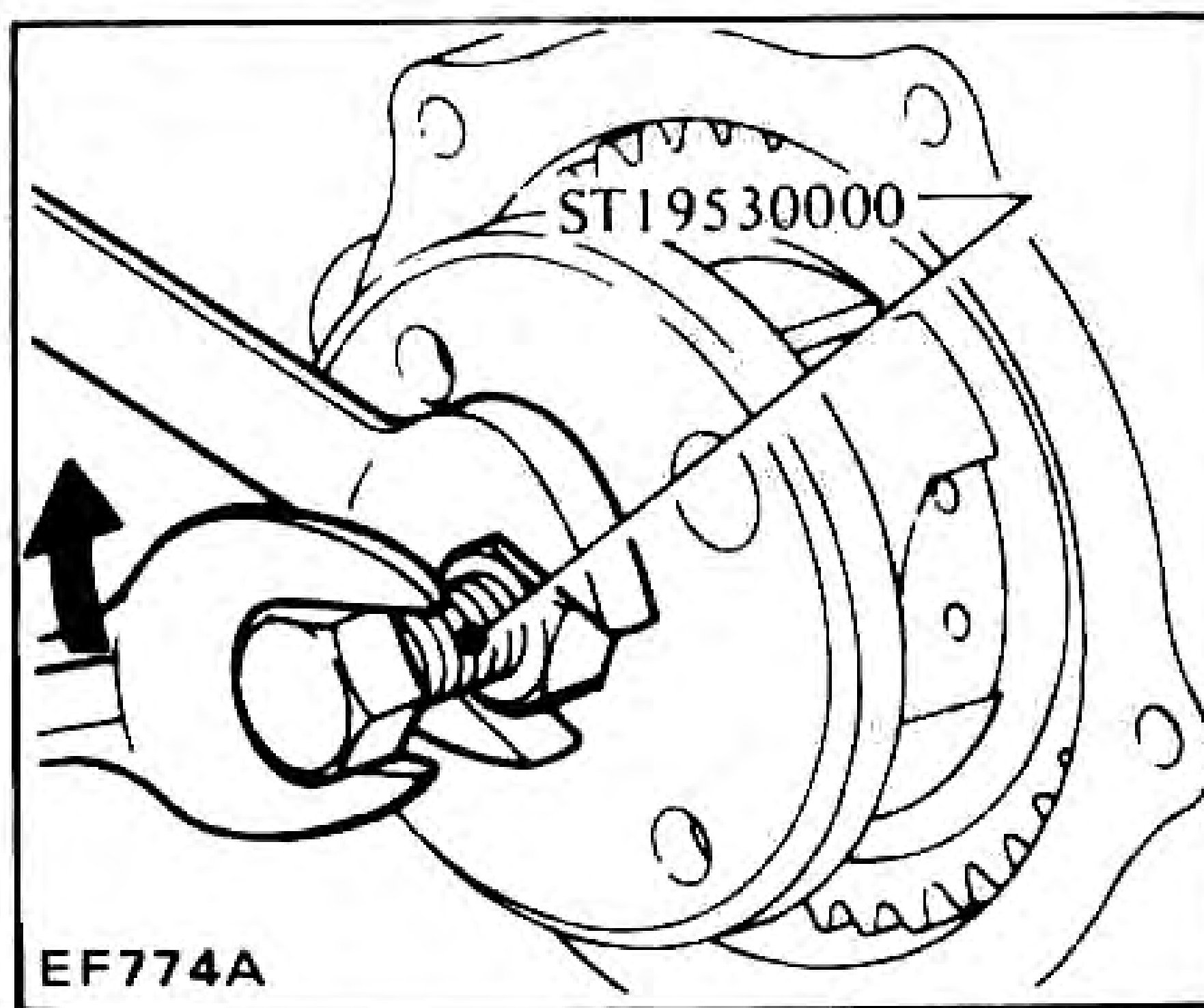
REMOVING OUTER PARTS

- Remove front side engine parts.
 - Fan, Tem-coupling and fan pulley
 - Alternator adjusting bar
 - Thermostat housing
 - Water pump



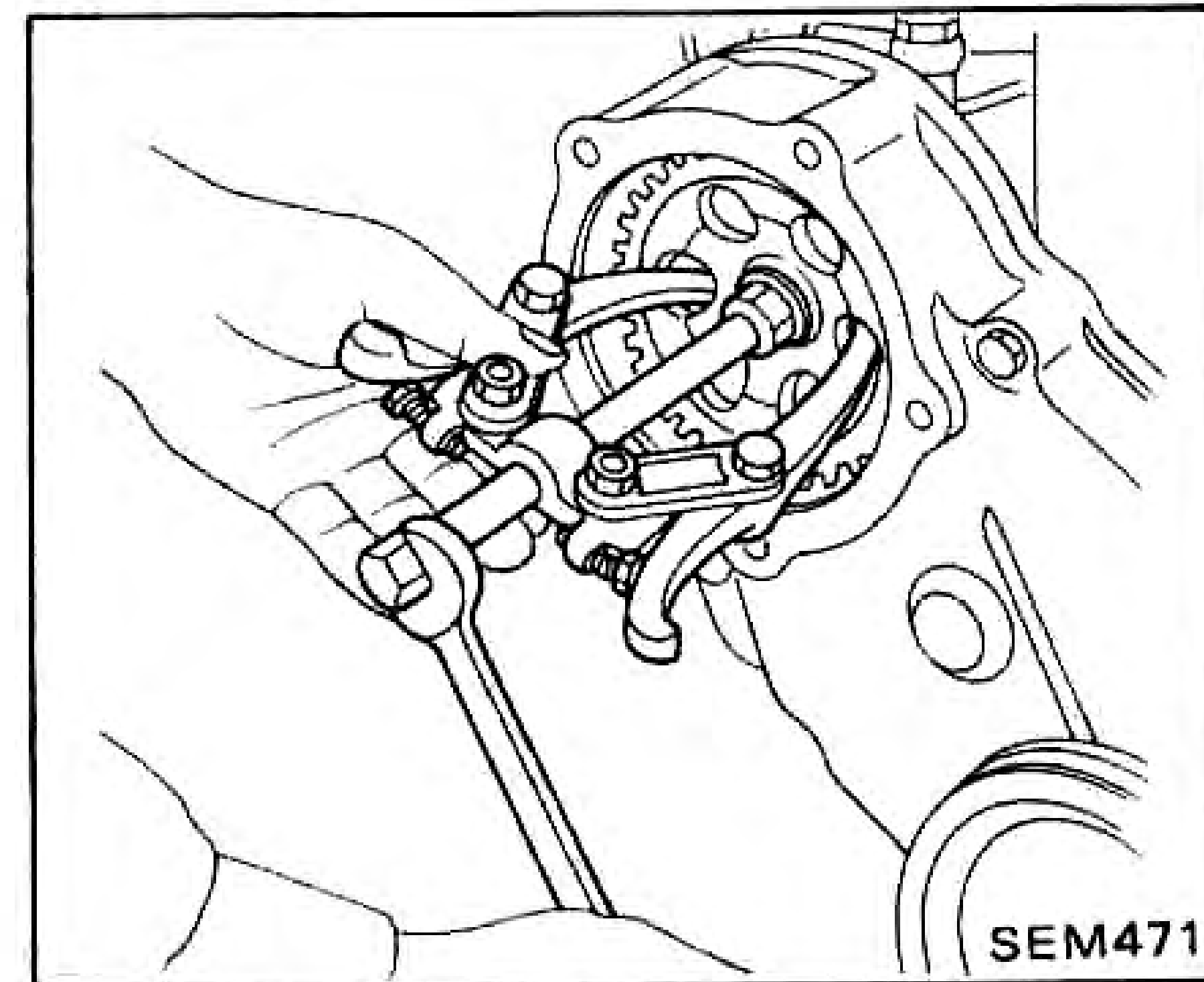
In-line pump

- Timer cover
- Timer



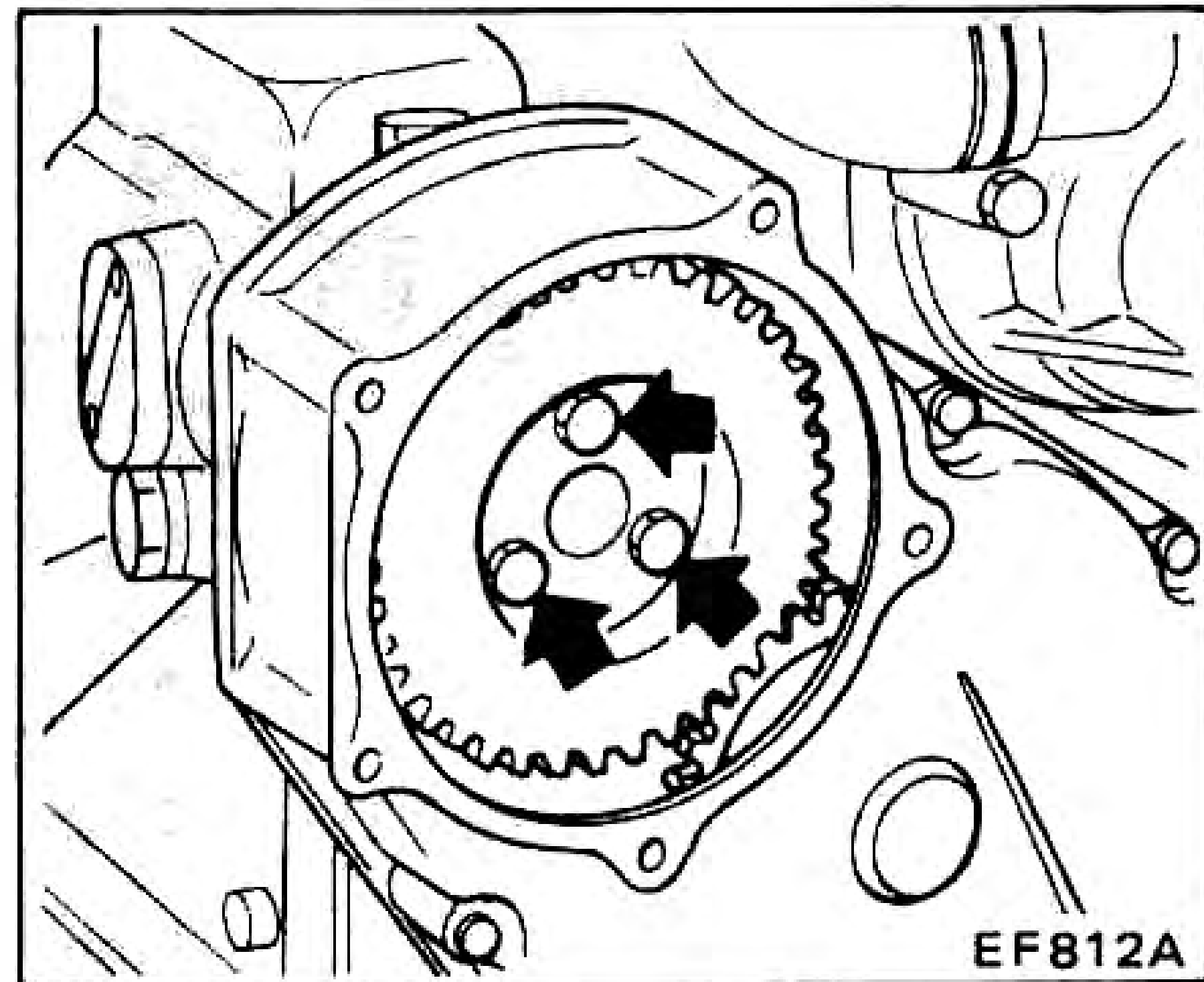
VE pump

- Drive gear cover
- Drive gear



C.A.V.-D.P.A. pump

- Timing gear cover
- Feed pump camshaft
- Drive gear



- Vacuum tube assembly

- Remove right side parts.

- Fuel tube assembly

Use double wrench action.

