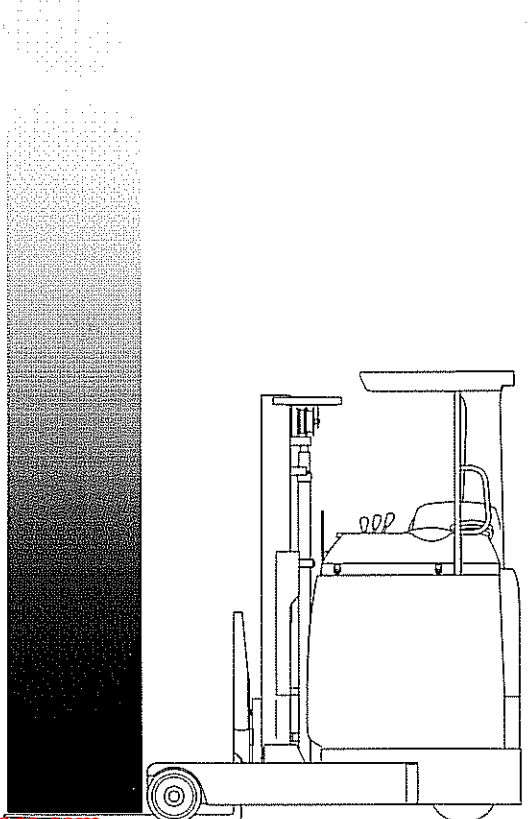


# TROUBLESHOOTING MANUAL

**FBRF-60** SERIES

**FBRF14/16/20**

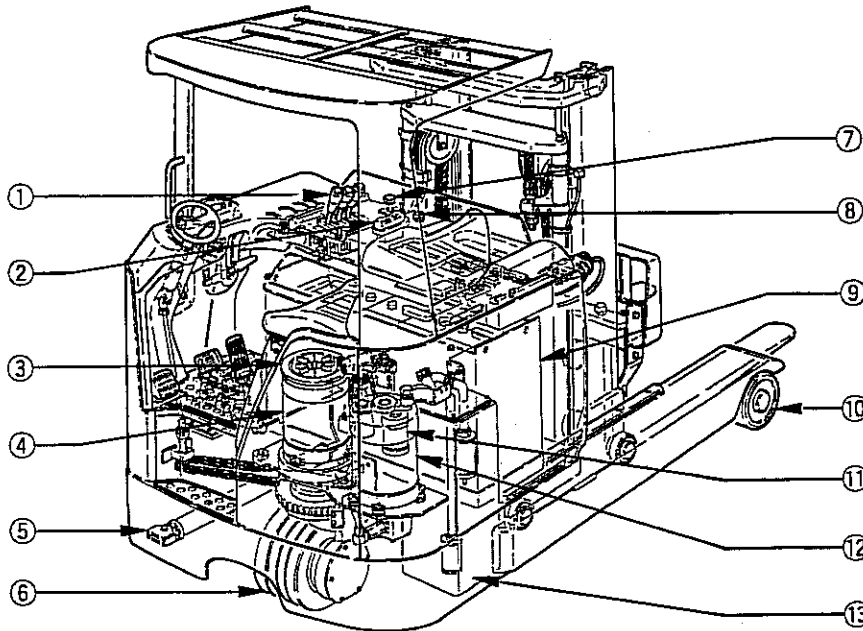


# Contents

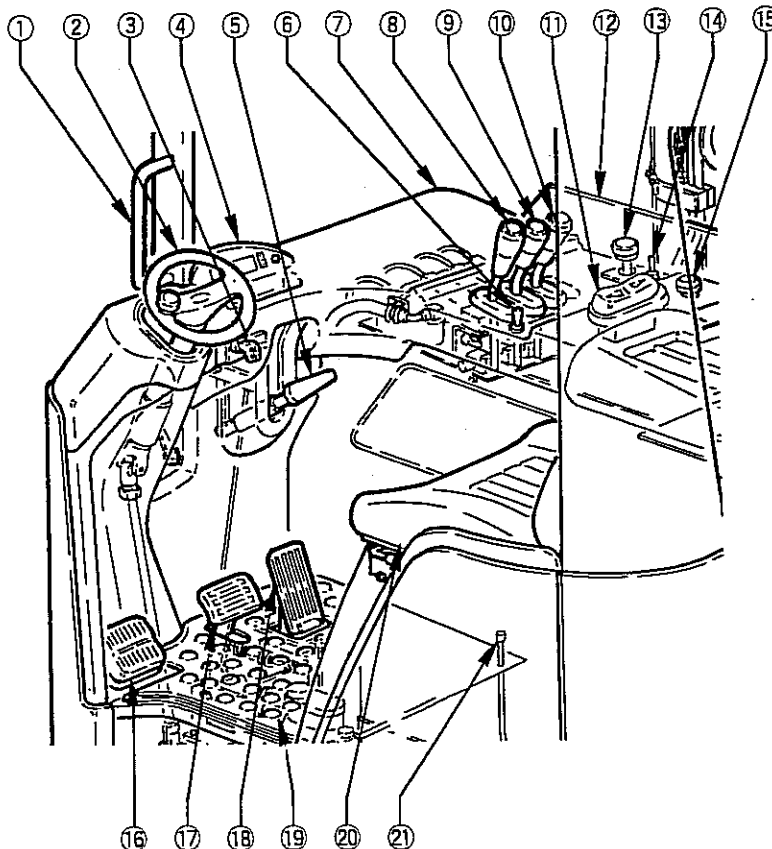
<b>0. Layout of components.</b>	0
<b>1. Outline of model change.</b>	1
1-1 Comparison with previous/other model.	1
1-2 LCD monitor and MPU board.	1
① LCD monitor	1
② MPU board	2
1-3 Initial setting	2
① Hour meter working	2
<b>2. How to adjust A-SICOS (Major point only)</b>	4
2-1 The name and function of mode select switch.	4
2-2 How to set the each mode.	5
① Speed setting mode.	5
② Power setting mode.	6
③ Acceleration feeling mode.	6
④ Option setting.	7
⑤ Language selection on LCD display.	8
⑥ Safety monitor symbol.	8
2-3 Adjustment of starting current and current limitation.	9
① Zero (o) adjusting for the installed current detector.	9
② Adjustment of starting current and current limitation.	12
2-4 Adjustment of other specifications.	15
① Adjustment of switch back (plugging/Regenerative) braking distance.	15
② Adjustment of regenerative braking force. (Option)	16
③ Adjustment of hydraulic speed and hydraulic current limitation.	17
④ Adjustment of brightness of the back light on monitor.	18
2-5 Check and adjustment for other functions.	19
<b>3. Self diagnosis history memory and I/O check.</b>	21
3-1 Self diagnosis history memory.	21
3-2 I/O check.	27
<b>4. Practical trouble shooting (How to find the cause of problem).</b>	31
4-1 Before starting.	31
4-2 Attention for the troubleshooting.	33
4-3 Analysis of fault cause.	34
4-4 Error message in each language.	37
<b>5. Wiring and layout of control unit.</b>	41
<b>6. Setting of volume and rotary switch.</b>	49
6-1 Volume.	49
6-2 Rotary switch.	49
6-3 The specification of each adjustment for FBRF-60 series.	51
6-4 Layout of control unit, Accel, Hourmeter wiring	52



# 0. Layout of components.



- ① Hydraulic levers
- ② Directional switch
- ③ Disk brake
- ④ Drive motor
- ⑤ Reach cylinder
- ⑥ Drive tyre
- ⑦ Emergency button
- ⑧ Horn switch
- ⑨ Battery
- ⑩ Load Wheel
- ⑪ Power steering motor
- ⑫ Hydraulic motor
- ⑬ Oil tank



- ① Assist grip
- ② Steering wheel
- ③ Key switch
- ④ Display
- ⑤ Parking brake lever
- ⑥ Turn signal switch (option)
- ⑦ Resin top cover
- ⑧ Lift levers
- ⑨ Reach levers
- ⑩ Tilt lever
- ⑪ Directional switch
- ⑫ Front guard
- ⑬ Emergency button
- ⑭ Head light switch (option)
- ⑮ Horn switch
- ⑯ Foot switch
- ⑰ Brake pedal
- ⑱ Accelerator pedal
- ⑲ Floor mat
- ⑳ Suspension seat
- ㉑ Battery stopper release pedal

# Nichiyu Forklift Fbrf W 14 16 20 60 Service Manual

Full download: <http://manualplace.com/download/nichiyu-forklift-fbrf-w-14-16-20-60-service-manual/>