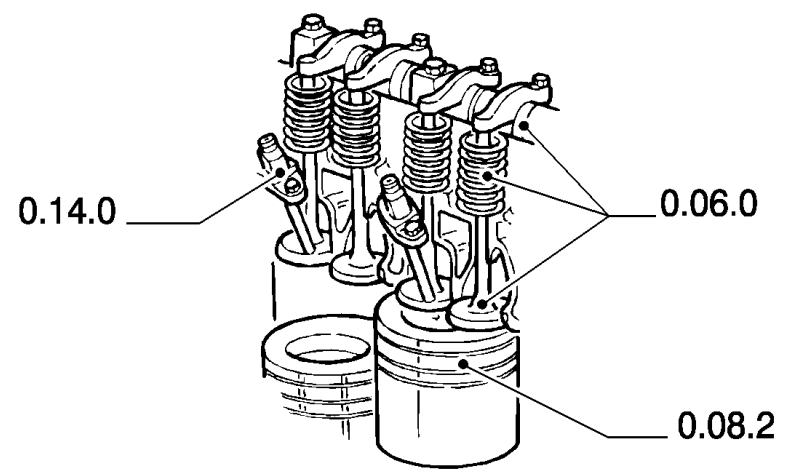
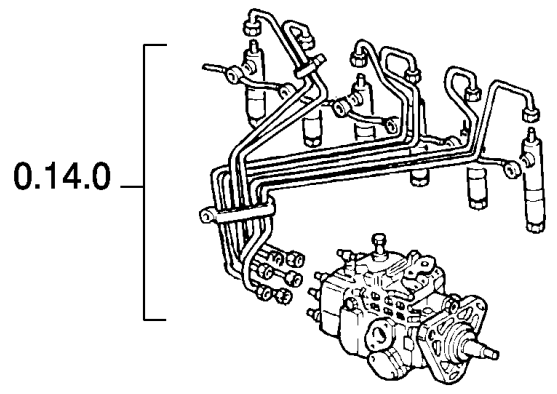
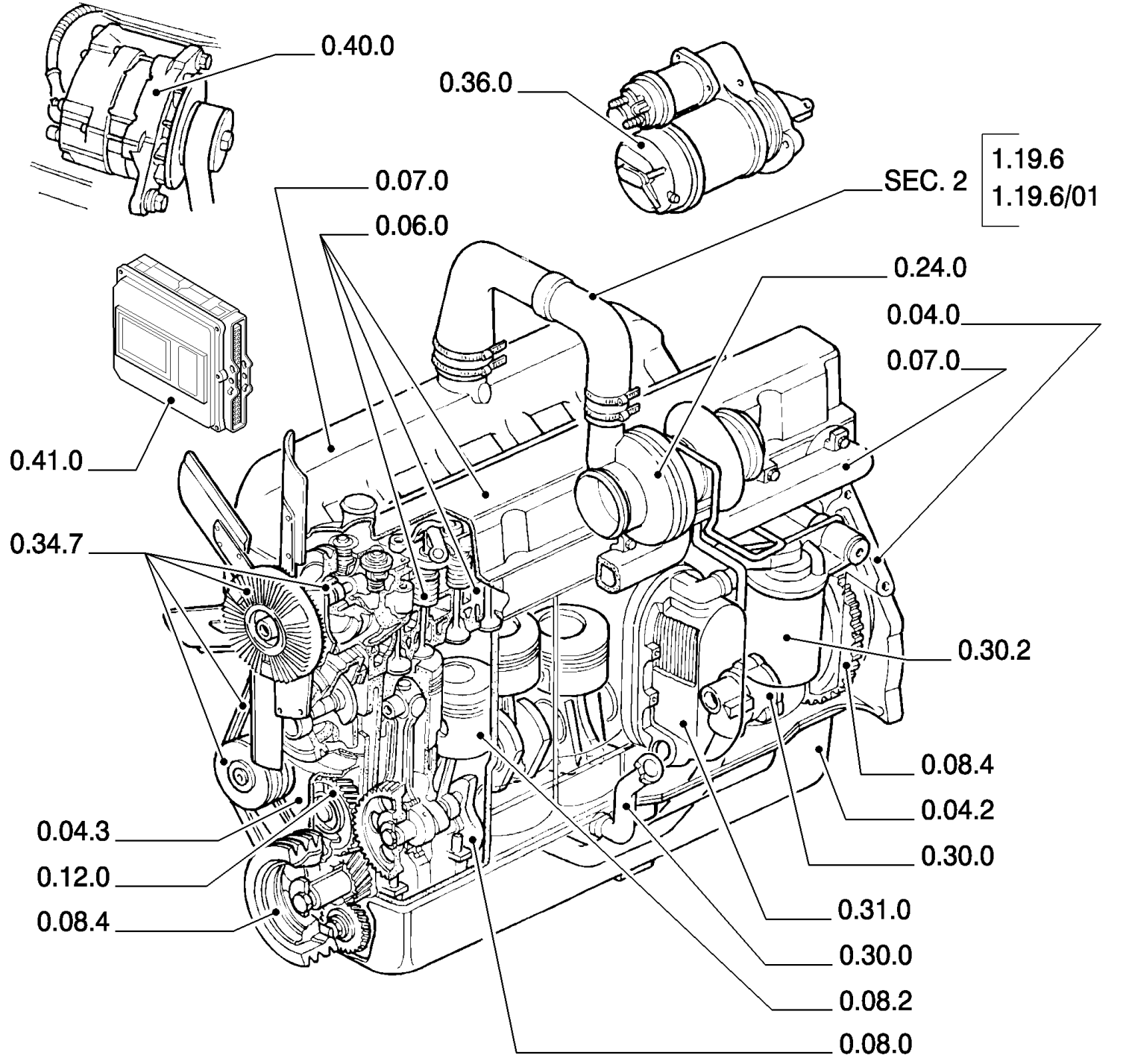


MAIN MAIN SECTIONS

Ref	Part Number	Qty	Description

SEC. 01 ENGINE



SEC. 01 ENGINE

Ref	Part Number	Qty	Description

SEC. 02 ENGINE EQUIP.

SEC.10

1.17.0/86  
1.17.0/88

1.15.1  
1.15.1/1

1.19.1  
1.19.1/1

1.14.0  
1.14.0/1

1.19.9  
1.19.9/1

1.17.2  
1.17.2/1

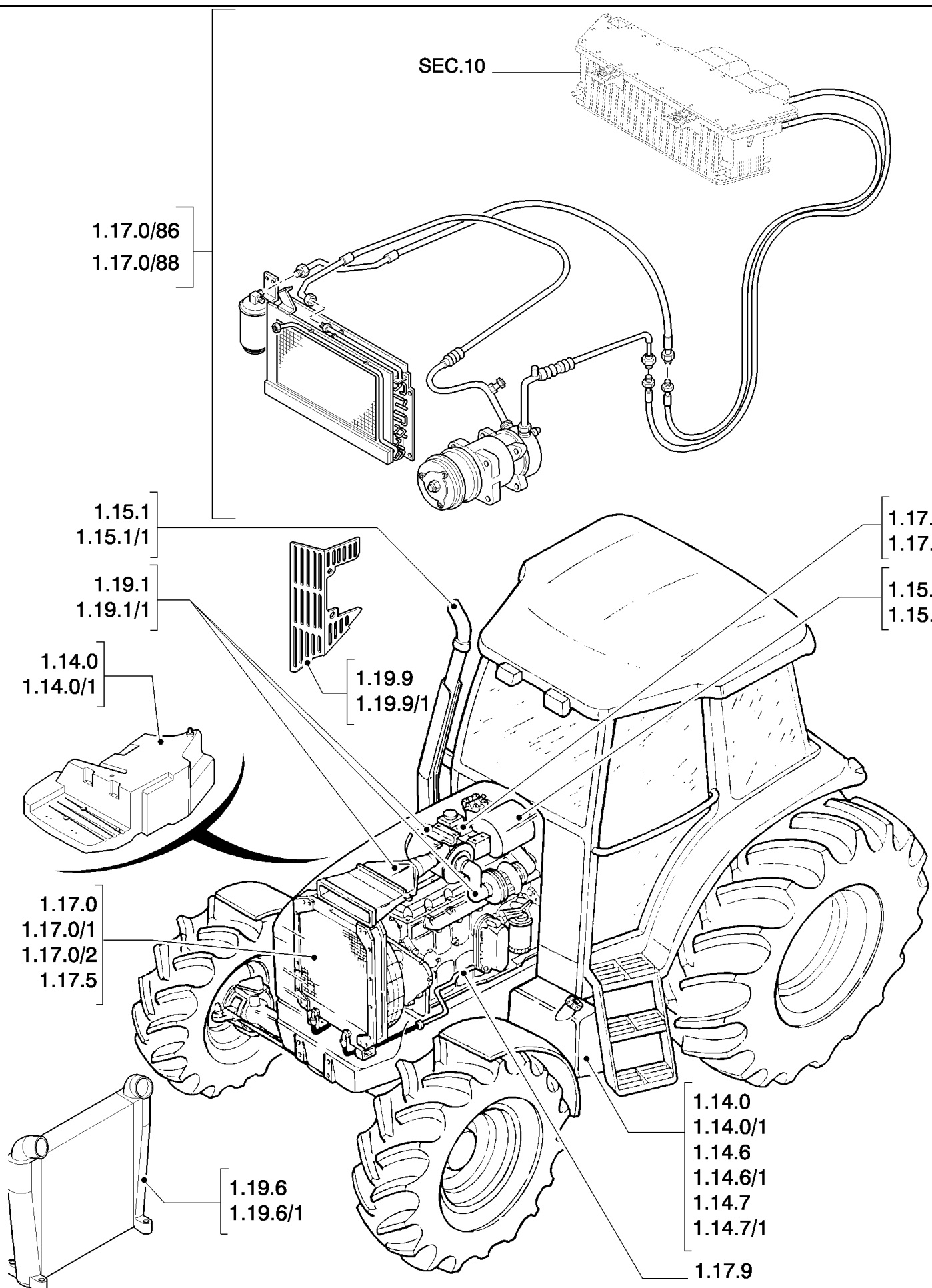
1.15.1  
1.15.1/1

1.17.0  
1.17.0/1  
1.17.0/2  
1.17.5

1.19.6  
1.19.6/1

1.14.0  
1.14.0/1  
1.14.6  
1.14.6/1  
1.14.7  
1.14.7/1

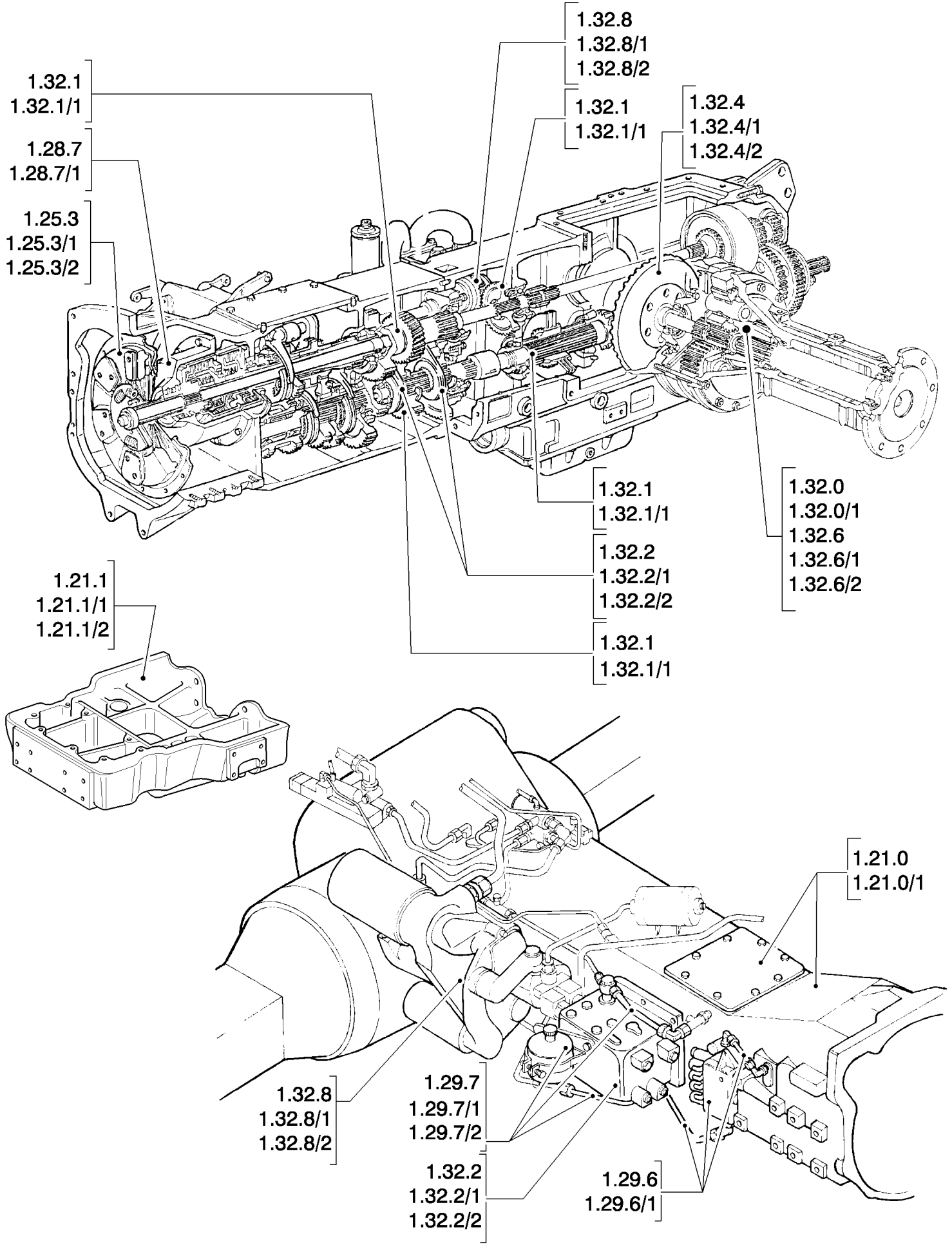
1.17.9



SEC. 02 ENGINE EQUIP.

Ref	Part Number	Qty	Description

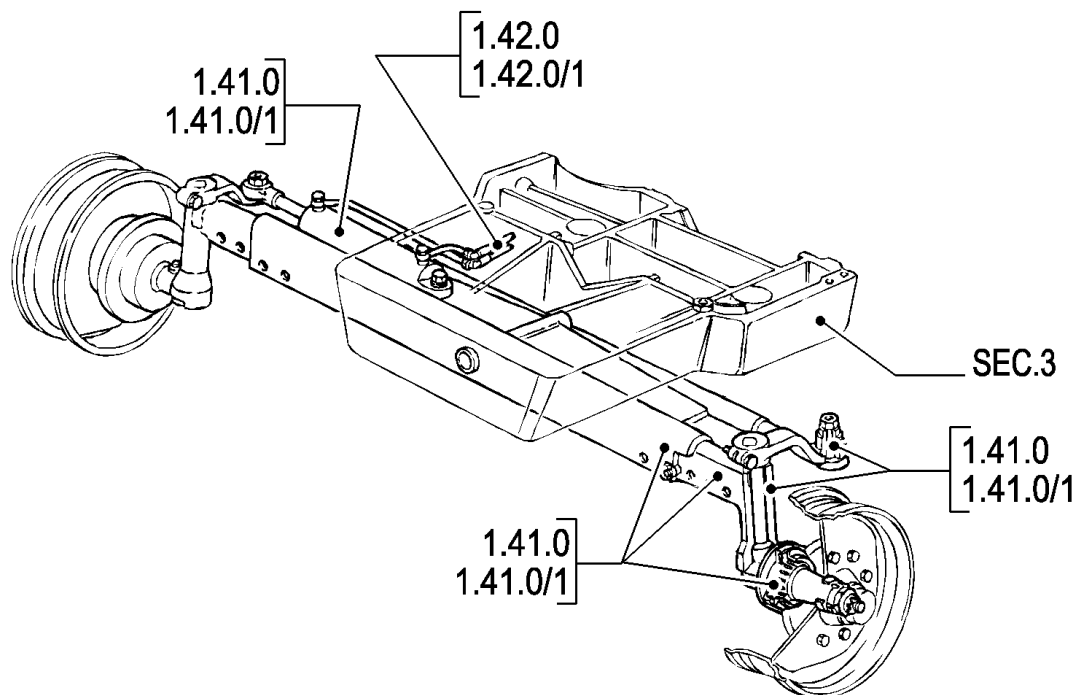
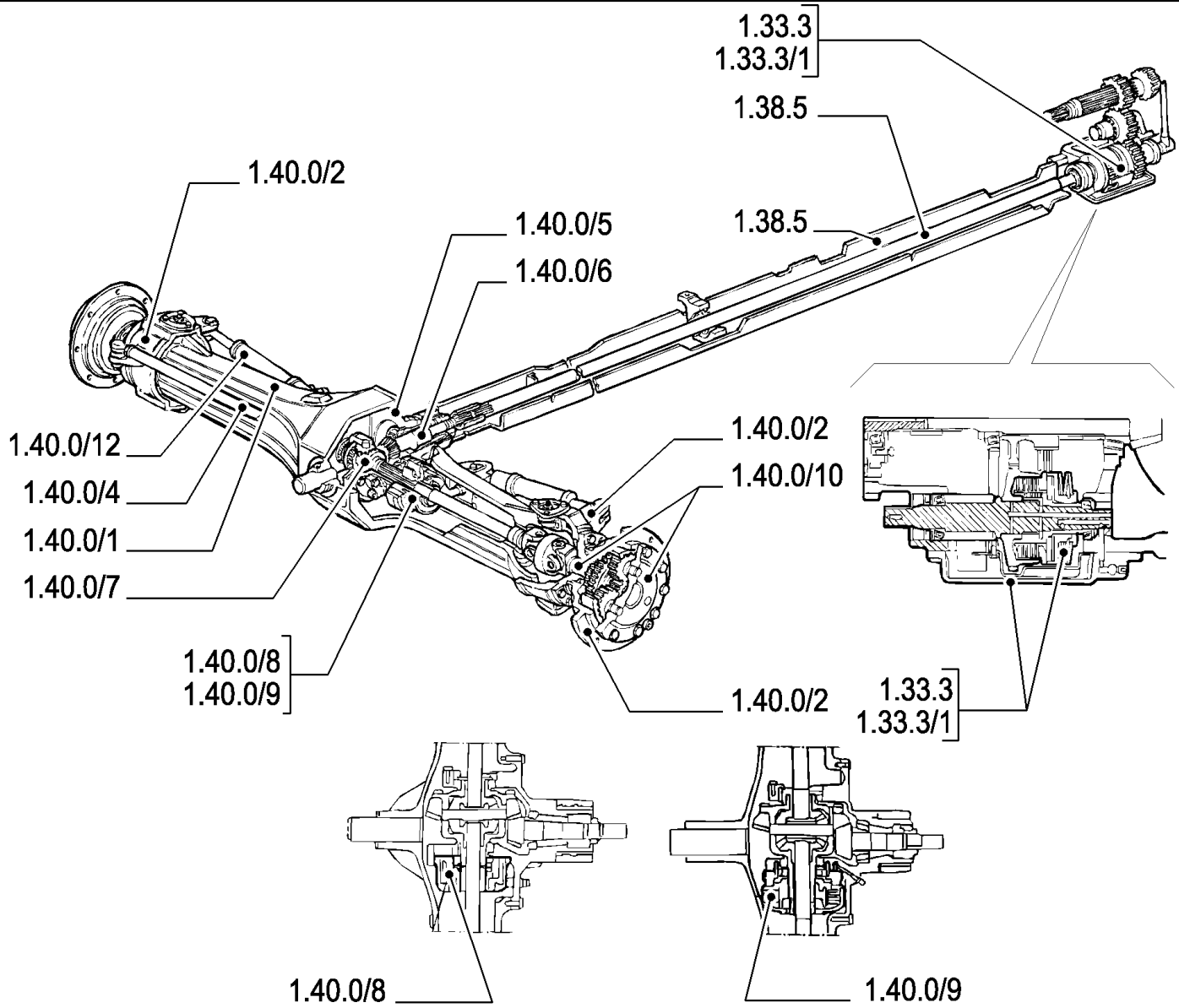
SEC. 03 TRANSMISSION



SEC. 03 TRANSMISSION

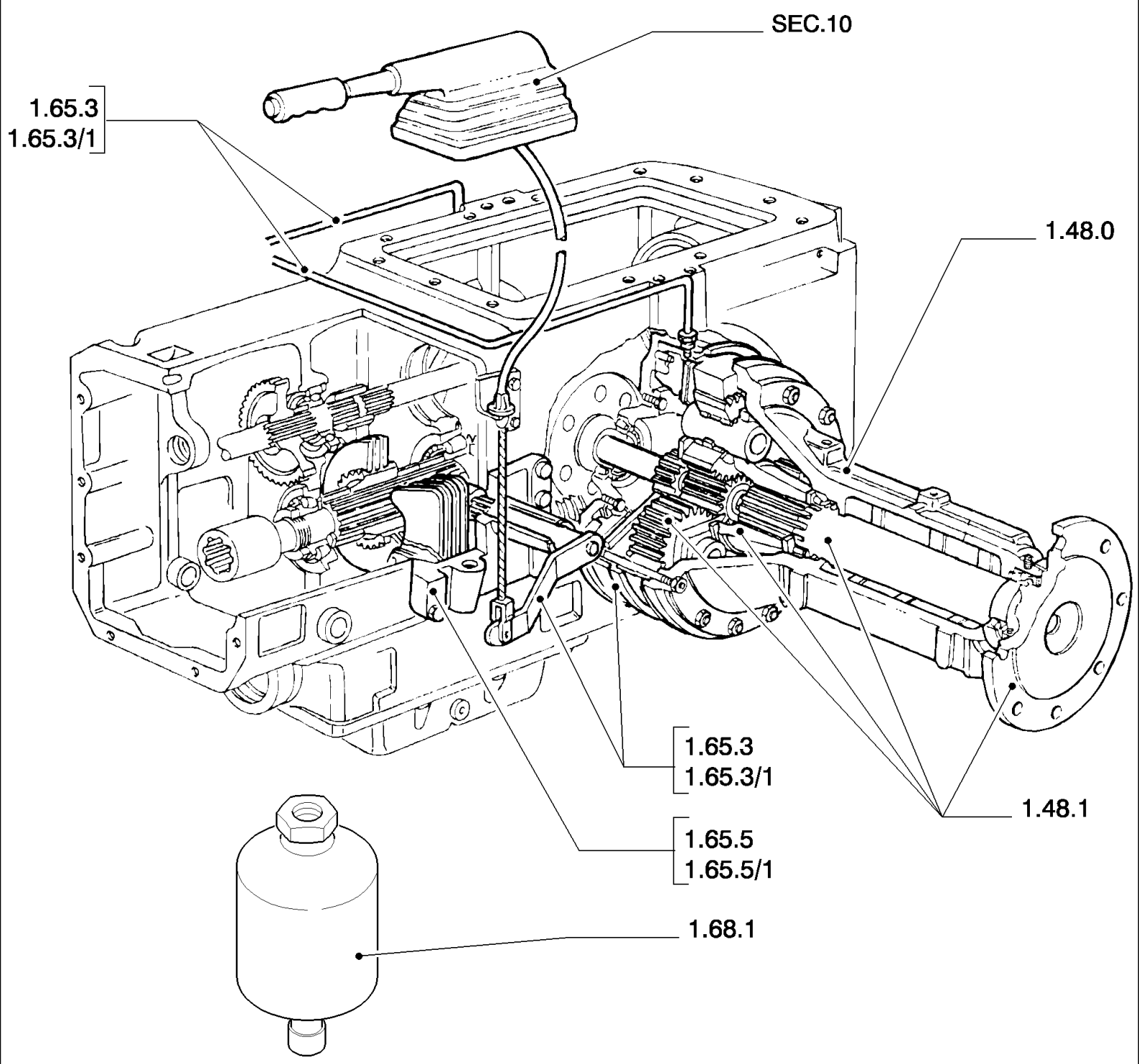
Ref	Part Number	Qty	Description





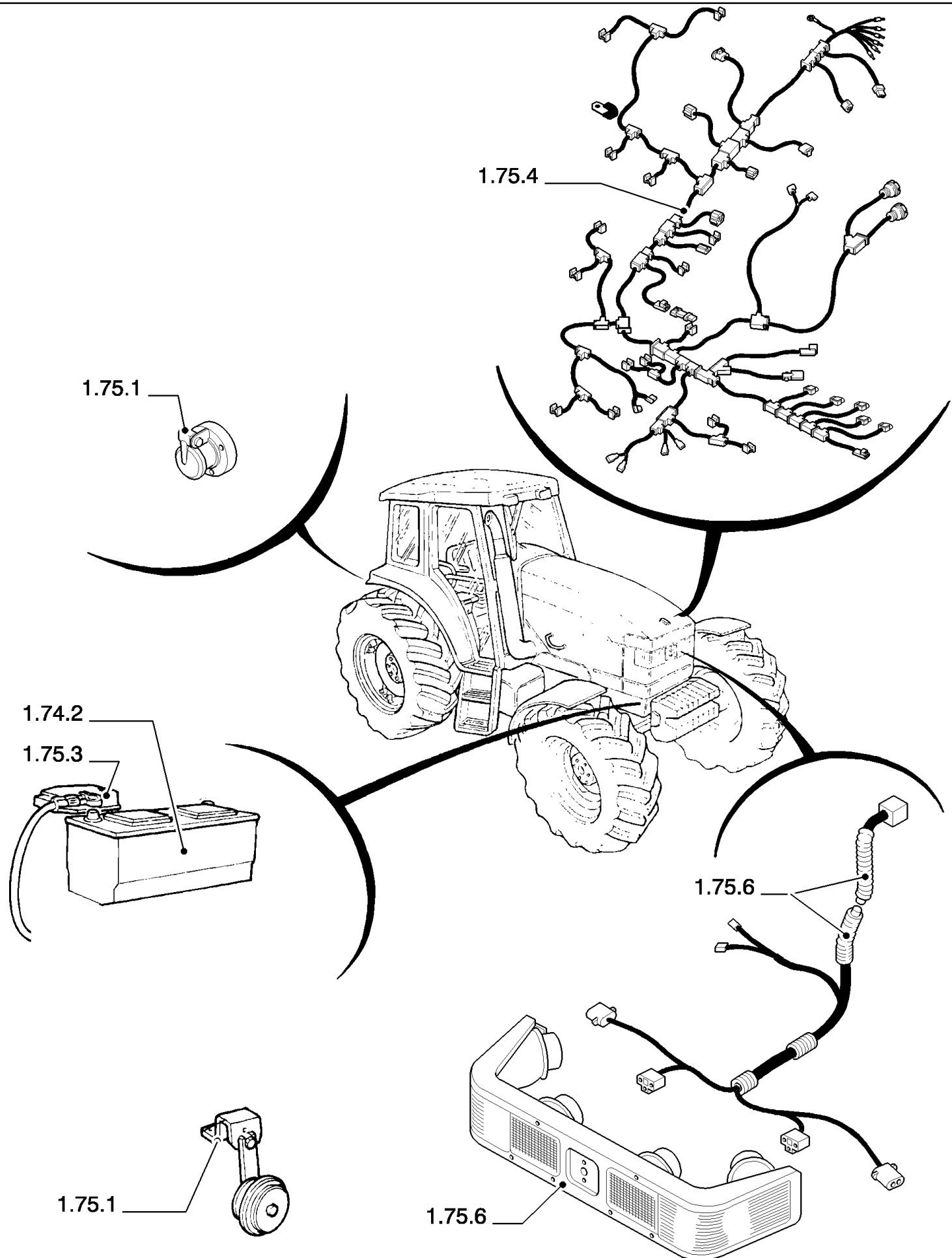
SEC. 04 FRONT AXLE

Ref	Part Number	Qty	Description



SEC. 05 REAR AXLE

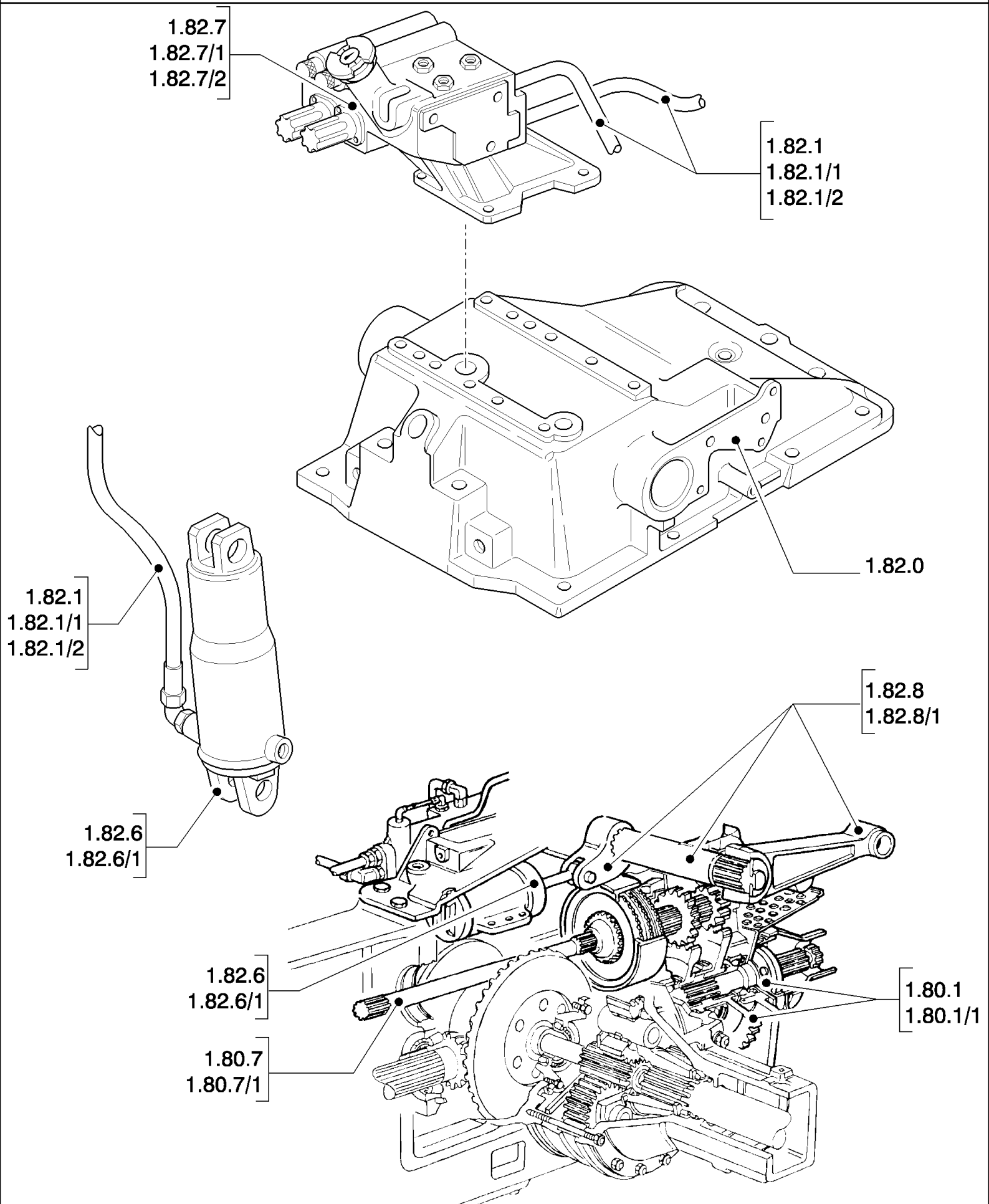
Ref	Part Number	Qty	Description



SEC. 06 ELECTRICAL

Ref	Part Number	Qty	Description

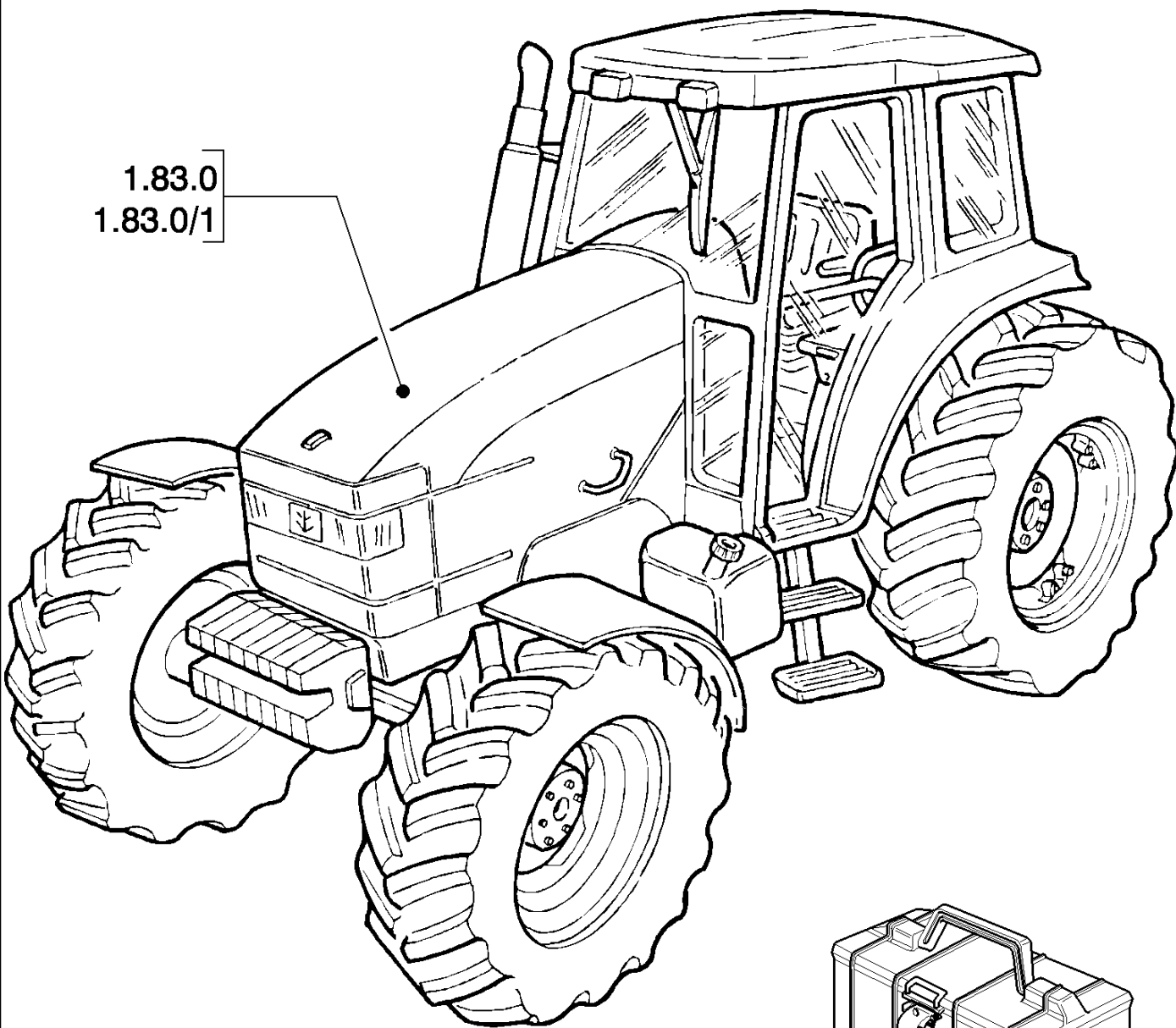
SEC. 07 HYDRAULICS



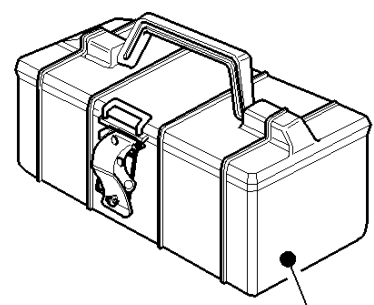
SEC. 07 HYDRAULICS

Ref	Part Number	Qty	Description





1.83.0  
1.83.0/1



Ref	Part Number	Qty	Description



Ref	Part Number	Qty	Description