

**SERVICE  
MANUAL**

# SERVICE MANUAL

**E385C**

Hino Diesel Engine J08E-UN  
Supplement to Service Manual 47374920A

**E385C**

Hino Dies to  
Service Manual  
47374920A

Print No. 47391166A

Print No. 47391166A



# SERVICE MANUAL

---

## E385C

### Hino Diesel Engine J08E-UN

Supplement to Service Manual 47374920A

**Print no. 47391166A**  
1<sup>st</sup> Edition  
English 06/12



**WARNING**

***Read this manual before operating the machine***

*Most accidents occurring during work are due to non-observance of simple safety norms and elementary precautions.*

*Many accidents can be avoided if the causes are known and opportune cautions taken beforehand.*

*There is no device or protection, no matter how advanced, that may prove so effective at avoiding accidents as a careful and attentive behaviour.*

---

**COPYRIGHT BY NEW HOLLAND KOBELCO CONSTRUCTION MACHINERY S.p.A.**

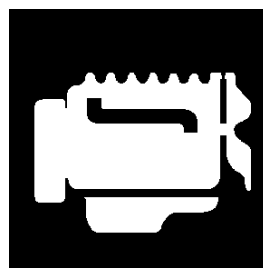
**Product Support**

**Strada di Settimo, 323 - S. MAURO T.SE ( TO ) ITALY**

# ENGINE

(HINO DIESEL ENGINE J08E-UN)

## CONTENTS



<b>Group 1</b>	General .....	W5-1
<b>Group 2</b>	Standard Value .....	W5-2
<b>Group 3</b>	Parts to be prepared .....	W5-3
<b>Group 4</b>	Engine assembly/disassembly .....	W5-4
<b>Group 5</b>	Fuel System .....	W5-5
<b>Group 7</b>	Electrical.....	W5-7
<b>Group 8</b>	Intake .....	W5-8
<b>Group 9</b>	Engine Mechanical .....	W5-9
<b>Group 10</b>	Exhaust .....	W5-10
<b>Group 11</b>	Cooling .....	W5-11
<b>Group 12</b>	Lubrication .....	W5-12
<b>Group 13</b>	Starting and Charging .....	W5-13
<b>Group 14</b>	Turbocharger .....	W5-14
<b>Group 15</b>	Failure Diagnosis for each Engine Status .....	W5-15
<b>Group 16</b>	Engine Diagnosis Code .....	W5-16



# 1 GENERAL

Warning.....	W5-1-2
How to read this manual .....	W5-1-3
Precautions for work .....	W5-1-7
Tightening of engine bolts and nuts.....	W5-1-11
Tightening of flare nuts and hoses.....	W5-1-13
Taper thread sealant for piping .....	W5-1-14
Assembly of joints and gaskets for piping .....	W5-1-15
Handling of liquid gasket.....	W5-1-17
Failure diagnosis table for each problem .....	W5-1-18
Failure diagnosis procedures.....	W5-1-19
Failure diagnosis using HinoDX.....	W5-1-21
Connection method of HinoDX .....	W5-1-24
Chassis number and engine number .....	W5-1-24

## Warning

JP31002010102001

Observe the following precautions to work safety and to prevent damage to customer's vehicles.

This manual is prepared for qualified service engineers who are recognized as technical expert. Those who are not qualified, who are not appropriately trained, who performs service without appropriate tool or equipment, or who perform service with the way not specified in this manual may not only damage the vehicle, but also put service engineers and surrounding people in danger.

- Appropriate service and repair are essential to ensure safety of service engineers and safety and reliability of vehicles. Be sure to use Hino genuine parts for replacement of parts. Do not use deteriorated parts in quality.
- Items described in this manual are the procedures to be observed in service and repair. For service and repair according to this procedure, be sure to use the special tools designed for each purpose.
- If a method or a tool not recommended is used, safety of service engineers, and safety and reliability of vehicles may be impaired. Never use a method or tool not recommended.
- This manual shows "Warning" and "Caution" for items that need to be observed so that accidents may not occur during service or repair, or that damage to vehicle due to improper method may not impair safety and reliability of vehicles. These instructions cannot give warning for all possible hazards. Note that items with "Warning" or "Caution" are not absolute for safety.

## How to read this manual

JP31002010102002

### 1. Scope of repair work

- (1) Repair work is classified into three large categories of "Diagnosis", "Mounting/removal, replacement, assembly-disassembly and inspection-adjustment" and "Final inspection".
- (2) This manual describes "Diagnosis" in the first process and "Mounting/removal, replacement, assembly-disassembly and inspection-adjustment" in the second process. Explanation of "Final inspection" in the third process is omitted here.
- (3) Although the following work is not described in this manual, it should be performed in actual work.
  - a. Jacking and lifting
  - b. Cleaning and washing of removed parts as required
  - c. Visual inspection

### 2. Standard value

- (1) Standard value, limit, action and tightening torque described in the text are summarized in tables.

### 3. Items to be prepared

- (1) Items to be prepared before work are SST, tools, gauges and lubricant, etc. These are listed in the list section of items to be prepared. Items such as general tools, jack, rigid rack, etc. that are usually equipped in general service shop are omitted.

### 4. How to read sections and titles

- (1) Sections are classified according to J2008, SAE standard.
- (2) For areas that show system names like "Engine control system", "Inspection", "Adjustment", "Replacement", "Overhaul", etc. of components are described.
- (3) For areas that show part names like "Injection pump", "Mounting/removal and disassembly" is described.
- (4) Illustrations of the parts catalog are shown for part layout. (Part codes in the parts catalog are described in the illustration. Major names and tightening torque are listed in the table.)

**⚠ CAUTION** The part layouts in this manual are inserted based on illustrations and part numbers of the parts catalog CD-ROM issued in June, 2007. (Some areas do not show exploded view. They will be additionally issued when the parts catalog CD is revised.) Be sure to use the parts catalog for confirmation of illustrations and part numbers and for ordering parts.



## 5. How to read troubleshooting

(1) Failure diagnosis in this manual describes Step 2 and Step 3 below :

<b>(1) Question</b>	<b>"Step 1"</b>	<b>Hear from customers for conditions and environments of failures and check the fact.</b>
<b>(2) Pre-inspection (3) Reproduction method</b>	<b>"Step 2"</b>	<b>Perform diagnosis inspection, status inspection, function inspection and basic inspection. Check the failure status. If it is difficult to reproduce the problem with status inspection, use the reproduction method.</b>
<b>(4) Troubleshooting for each diagnosis code (5) Troubleshooting for each failure status</b>	<b>"Step 3"</b>	<b>Summarize inspection results obtained from Step 2. Perform inspection systematically according to troubleshooting procedures for each diagnosis code or failure status.</b>
<b>(6) Confirmation test</b>	<b>"Step 4"</b>	<b>Check if failure occurs again after repair. If it is difficult to reproduce a failure, perform the confirmation test under the conditions and environment of the failure.</b>

(2) Pre-inspection

<b>Pre-inspection</b>	<ul style="list-style-type: none"> <li>• <b>Pre-inspection is performed in the following steps :</b>  <b>Diagnosis inspection → Diagnosis deletion → Failure status check (Use the reproduction method if not reproduced.) → Diagnosis reconfirmation</b></li> <li>• <b>Estimate the failure system before the reproduction test. Attach a tester and evaluate estimated failure together with failure status. Refer to the troubleshooting chart for estimated cause of a failure.</b></li> <li>• <b>An error code is displayed if a failure occurs instantaneously. If any specific failure is not found, perform troubleshooting using the reproduction method.</b></li> <li>• <b>Failure status check</b>  <b>If failure is reproduced, perform Step 2 → Step 3 → Step 4.</b>  <b>If failure is not reproduced, use the reproduction method (simulation of external conditions or check of each wire harness and connector, etc.)</b></li> </ul>
-----------------------	--

6. How to read explanation details

(1) Part layout

**Example**

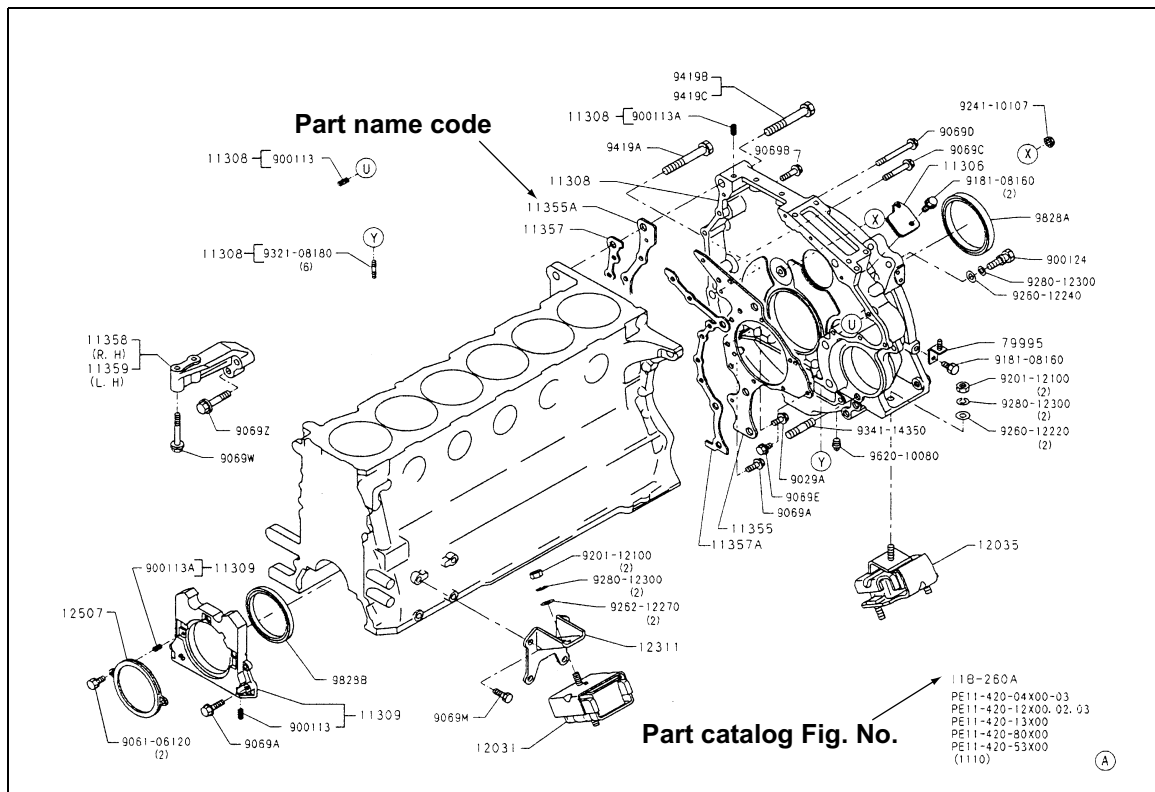
ENGINE MECHANICAL [J08E]

9-17

**Timing Gear Cover and Flywheel Housing**

**Part layout**

☆JP04117090402003



☆SAPH041170900182

11308	Flywheel housing	11390	End plate	<b>Description of part name code</b>
11309	Oil seal retainer	9828A	Front oil seal*	
11357	Gasket*	9828B	Rear oil seal*	
11357A	Gasket*			

\*Parts not to be reused.

**Left: Part name code (nut)**

**Tightening torque**

9069H	M14 : 171.5N m{1, 750kgf cm}	9419A	M16 : 196N m{2, 000kgf cm}
9069J	M12 : 97N m{990kgf cm}	9419B	M16 : 196N m{2, 000kgf cm}

SAPH310020100001

☆ It is the ID number for parts to prepare electronic data. It is not required for repair work.

**7. Definition of terms****Terms in this manual are defined as follows :**

- (1) Direction
  - a. Individual unit
    - Front/back direction  
The power input side is front and the output side is back.
    - Rotating direction  
When viewed from the rear, the clockwise direction is right rotation and the counterclockwise direction is left rotation.
    - Vertical direction  
With a unit mounted on the machine main unit, the upward direction is upper and the downward direction is lower.
    - Left/right direction  
When viewed from the rear, the left direction is left and the right direction is right.
- (2) Standard value .....Basic dimension excluding tolerance and clearance generated by tolerances when two parts are joined
- (3) Repair limit...It is the value requiring repair. Symbol of + or - with the value means increase or decrease to the standard value.
- (4) Operation limit...It is the value requiring replacement. Symbol of + or - with the value means increase or decrease to the standard value.
- (5) Warning.....It is an item that may result in risk of human life or serious injury by incorrect handling.
- (6) Caution.....It is an item that should not be performed including inhibited work or an item that require attention in working procedures.
- (7) Reference.....It is supplementary explanation in work.

## 8. Unit

- (1) SI unit is used in this manual. SI unit is the international unit to unify the conventional different international units into one unit per quantity and to promote smooth technical communications.
- (2) This manual shows both the SI unit and conventional units. The conventional units are shown in { }.

	SI unit	Conventional unit	Conversion value <sup>*1</sup> (1[Conventional unit] = X [SI unit])		SI unit	Conventional unit	Conversion value <sup>*1</sup> (1[Conventional unit] = X [SI unit])
Force	N	kgf	1kgf=9.80665N	Spring constant	N/mm	kgf/mm	1kgf/mm=980665N/mm
Torque <sup>*2</sup>	N·m	kgf·cm	1kgf·cm=0.0980665 N·m	Volume	L	cc	1cc=1mL
Pressure	Pa	kgf/cm <sup>2</sup>	1kgf/cm <sup>2</sup> =98.0665kPa =0.0980665MPa	Efficiency	W	PS	1PS=0.735499kW
		mmHg	1mmHg=0.133322kPa	Calorific value	W·h	cal	1kcal=1.13279W·h
Rotational speed	r/min	rpm	1rpm=1r/min	Fuel consumption rate	g/W·h	g/PS·h	1g/PS·h=1.3596g/kW·h
	min <sup>-1</sup>		1rpm=1min <sup>-1</sup>				

<sup>\*1</sup> : X means the value when 1 [Conventional unit] is converted to the SI unit.

It is used as the conversion factor from the conventional unit to the SI unit.

<sup>\*2</sup> : The conversion value of the torque may vary depending on the unit.

Observe the standard values described for each unit.

## Precautions for work

JP31002010101001

### 1. General precautions

To ensure safety in work and to prevent accidents, observe the following items :

- (1) Appearance
  - a. Wear safety goggles.
  - b. Do not wear watch, necktie, ring, bracelet, necklace, etc. to prevent accident before work.
  - c. Bind long hair at the back.
  - d. Be sure to wear a cap and safety shoes.
- (2) Safety work
  - a. Do not touch radiator, muffler, exhaust pipe, tail pipe, etc. after stop of the engine to prevent burn.
  - b. Do not put your clothes or tools near the rotating part (in particular, cooling fan or V-belt) during operation of the engine.
  - c. Remove the starter key when the engine is not started.
  - d. Start the engine at a well ventilated place so that carbon monoxide may not be filled.
  - e. Since gas from the fuel or the battery is flammable, do not spark a fire or smoke a cigarette near the area.
  - f. Since the battery fluid is poisonous and corrosive, be careful for handling.
  - g. Do not short-circuit the cable of the battery or starter. Otherwise, the cable may be burned or burn may occur.
  - h. If a tool or rag is left in the engine compartment, it may be bounced with a rotating part of the engine, resulting in injury.
  - i. To tow a failure machine, refer to "Towing" in the "Operation manual" of the machine.

## 2. Precautions for service work

### Pay attention to the following points before service work

- (1) Preparation before disassembly
  - a. Prepare general tools, special tools and gauges before work.
  - b. To disassemble a complicated area, put a stamp or match mark on the location not functionally affected to ease assembly. To repair the electric system, disconnect the cable from the minus terminal of the battery before work.
  - c. Perform inspection according to the procedure in the text before disassembly.
- (2) Inspection during disassembly
 

Every time parts are removed, check the area where the parts are assembled and check for deformation, damage, wear or scratch.
- (3) Arrangement of disassembled parts
 

Place removed parts neatly in order. Separate parts to be replaced from parts to be reused.
- (4) Washing of disassembled parts
 

Clean and wash parts to be reused well.
- (5) Inspection and measurement
 

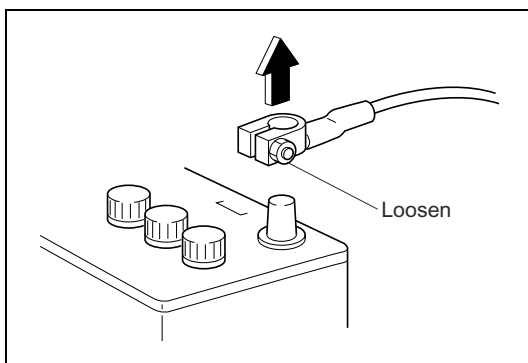
Inspect and measure parts to be reused as required.
- (6) Assembly
  - a. Keep the specified standard values (tightening torque, adjusting values, etc.) and assemble correct parts in the correct order.
  - b. Be sure to use genuine parts for parts to be replaced.
  - c. Use new packing, gasket, O-ring and cotter pin.
  - d. Use seal gaskets for some areas where gaskets are used. Apply specified oil or grease to sliding areas where application of oil is required, and apply specified grease to the oil seal lip before assembly.
- (7) Check of adjustment
 

Make adjustments to the service standard values using a gauge or tester.

## 3. Precautions for electric system

### (1) Removal of battery cable

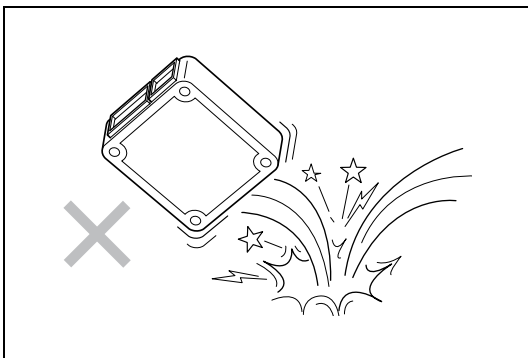
- a. In an electric system, remove the cable from the battery minus (-) terminal to prevent burnout due to short-circuit.
- b. When the battery cable is removed, the battery terminal may be damaged. Loosen the nut completely and never pry it for removal.



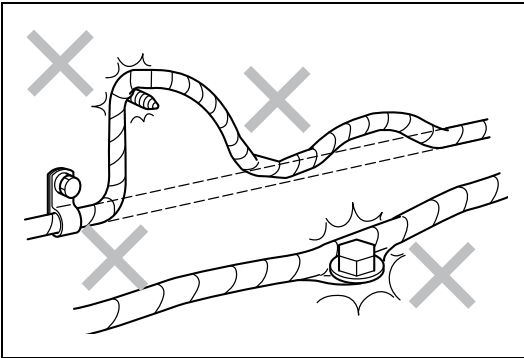
SAPH310020100002

### (2) Handling of electronic parts

- a. Do not give impact on electronic parts such as computer and relay.
- b. Do not place electronic parts at a high temperature and humidity area.
- c. Do not expose electronic parts to water in washing of a vehicle.



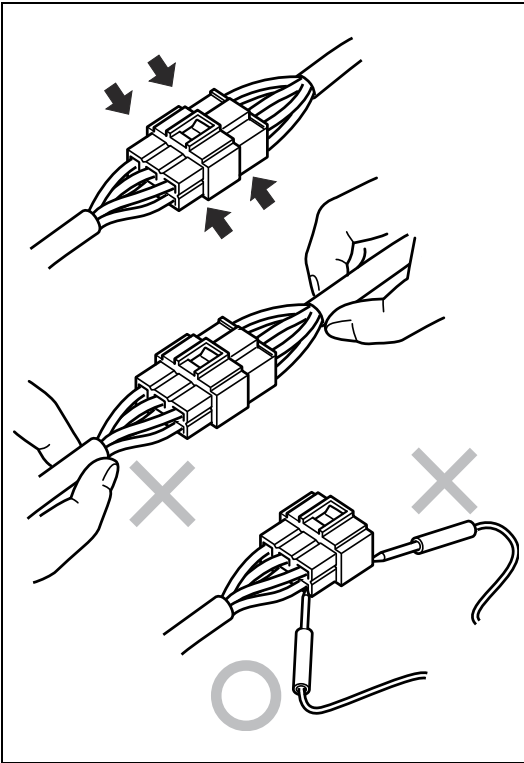
SAPH310020100003



SAPH310020100004

## (3) Handling of wire harness

- a. Mark clamps and clips to prevent interference of a wire harness with body edge, sharp edge and bolts. Be sure to reassemble it to the original position.
- b. When parts are assembled, be careful not to pinch a wire harness.



SAPH310020100005

## (4) Handling of connector

- a. When a connector is removed, hold the connector (as shown by the arrow in the left) and pull it out. Do not pull the wire harness.
- b. Unlock the locking connector before pulling.
- c. Insert the locking connector completely until it clicks.
- d. To insert a test lead into the connector, insert it from the back of the connector.
- e. If it is difficult to insert a test lead from the back of the connector, prepare a harness for inspection.

#### 4. Precautions for electric welding

**Inadvertent electric welding on a cab or frame may cause reverse welding current from the grounding circuit, resulting in damage to electric and electronic parts. Observe the following items for electric welding.**

- (1) Turn "OFF" the starter switch.
- (2) Make sure that switches are "OFF".
- (3) Disconnect the minus (-) terminal of the battery according to the removal procedure of the battery cable.
- (4) Disconnect connectors of each computer.
- (5) Remove all fuses. (For locations of fuses, refer to "Electrical Chapter".)
- (6) Be sure to connect grounding of the electric welding machine near the welding area.  
Connect grounding from a bolt (plated bolt) or a frame near the welding area.  
Remove paint of the frame for connection of grounding from the frame.  
The seal and the bearing etc. that please make sure do not enter between the weld and the ground section.
- (7) Other precautions
  - a. Put a cover on rubber hoses, wire harnesses, pipes, tires, etc. around the welding area so that they may not be exposed to spatter.
  - b. Perform welding under appropriate conditions and minimize heat effect in the peripheral area. Also maintain welding quality.
- (8) After welding, connect and assemble in the order of the fuse and the minus terminal of the battery disassembled. When paint is removed from a frame or cab, apply rust preventive coating with the same color.
- (9) After reassembly, check the function if it operates correctly.

## Tightening of engine bolts and nuts

JP31002010102003

### 1. Tightening torque of general standard bolts

(1) For bolts with seatings

Unit : N·m{kgf·cm}

Screw diameter x Pitch	7T	9T
M8 x 1.25 (Coarse thread)	28.5{290}	36{370}
M10 x 1.25 (Fine thread)	60{610}	74.5{760}
M10 x 1.5 (Coarse thread)	55{560}	68.5{700}
M12 x 1.25 (Fine thread)	108{1, 100}	136{1, 390}
M12 x 1.75 (Coarse thread)	97{990}	125{1, 280}
M14 x 1.5 (Fine thread)	171.5{1, 750}	216{2, 210}
M14 x 2 (Coarse thread)	154{1, 570}	199{2, 030}
Remark	Bolt with number "7" on the head	Bolt with number "9" on the head

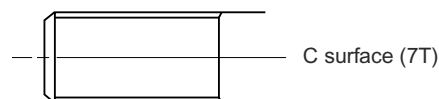
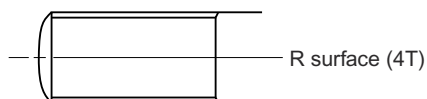
⚠ CAUTION • 8T bolt is in accordance with 7T bolt.

(2) For bolts with washers

Unit : N·m{kgf·cm}

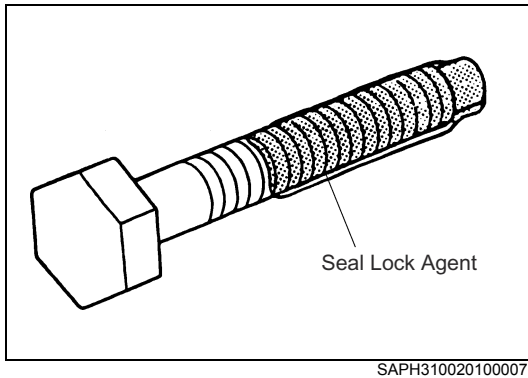
Screw diameter x Pitch	4T	7T	9T
M6 x 1 (Coarse thread)	6{60}	10{100}	13{130}
M8 x 1.25 (Coarse thread)	14{140}	25{250}	31{320}
M10 x 1.25 (Fine thread)	29{300}	51{520}	64{650}
M10 x 1.5 (Coarse thread)	26{270}	47{480}	59{600}
M12 x 1.25 (Fine thread)	54{550}	93{950}	118{1, 200}
M12 x 1.75 (Coarse thread)	49{500}	83{850}	108{1, 100}
M14 x 1.5 (Fine thread)	83{850}	147{1, 500}	186{1, 900}
M14 x 2 (Coarse thread)	74{750}	132{1, 350}	172{1, 750}
Remark	Bolt with number "4" on the head Projection bolt Stud with R surface at free end	Bolt with number "7" on the head Stud with C surface at free end	Bolt with number "9" on the head

⚠ CAUTION • 8T bolt is in accordance with 7T bolt.



SAPH310020100006





## 2. Precoated bolt

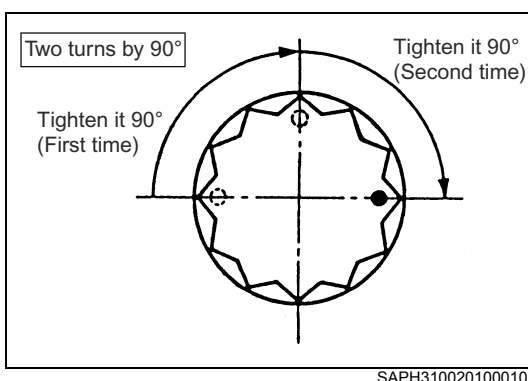
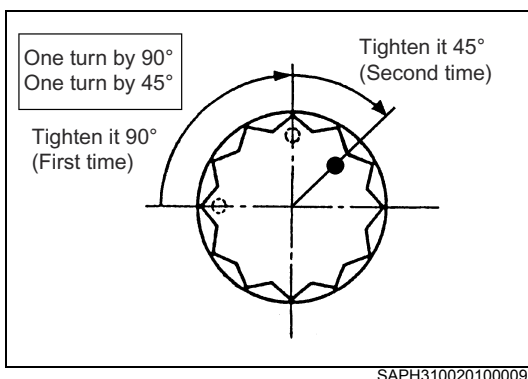
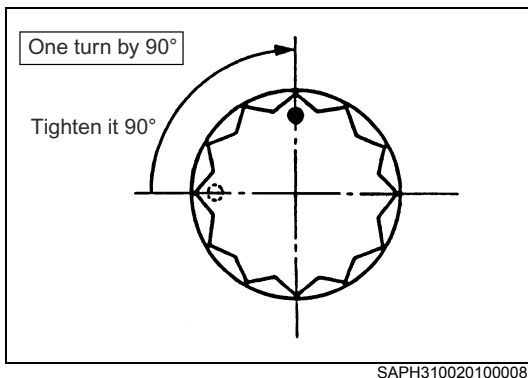
**Precoated bolt is the bolt with application of seal lock agent at the thread.**

- (1) When re-application of lock agent is required
  - a. When precoated bolts are removed
  - b. When precoated bolts are moved due to tightening check (for loosening or tightening)

### NOTICE

- **Check torque with the lower limit of the tightening torque allowable value. If movement is found, tighten the bolt according to the procedure below.**

- (2) Re-use method of precoated bolt lock
  - a. Clean bolt and screw holes. (Clean screw holes for replacement.)
  - b. Dry completely by blowing air.
  - c. Apply the specified seal lock agent to the thread of the bolt.



## 3. Plastic region tightening method (angle method)

### (1) Precautions

Some engines are tightened with the plastic region tightening method.

Since it is different from the conventional method, tighten it according to the instruction in the text.

### (2) Parts tightened

Cylinder head bolt, crankshaft main bearing cap bolt, connecting rod bearing cap bolt, etc.



- **Measure the overall length of the bolt before assembly and replace the bolt if the length exceeds the operation limit.**
- **Apply engine oil to bolt seating and bolt thread in assembly.**

### (3) Tightening method after tightening to seating torque

Tightening of 90°, 135°(90°once and 45°once) and 180°(90°twice) is available.

## Tightening of flare nuts and hoses

JP31002010102004

### 1. Tightening torque of pipe flare nut

Unit : N·m{kgf·cm}

Pipe outer diameter	$\phi 4.76$	$\phi 6.35$	$\phi 8$	$\phi 10$	$\phi 12$	$\phi 15$
Material						
Steel pipe	$15 \pm 5 \{150 \pm 50\}$	$25 \pm 5 \{250 \pm 50\}$	$36 \pm 5 \{370 \pm 50\}$	$52 \pm 7 \{530 \pm 70\}$	$67 \pm 7 \{680 \pm 70\}$	$88 \pm 8 \{900 \pm 80\}$

### 2. Tightening torque of hoses

Unit : N·m{kgf·cm}

	Hose outer diameter $\phi 10.5$ fitting	Hose outer diameter $\phi 13, \phi 20, \phi 22$ , fitting at packing	Hose outer diameter PF3/8 fitting
Air hose	$21.5 \pm 1.5 \{215 \pm 15\}$	$41.5 \pm 2.5 \{425 \pm 25\}$	—
	Only meter gauge 10{100}		
Brake hose	Packing $51.5 \pm 7.5 \{525 \pm 75\}$	—	—

### 3. Lock nut tightening torque of brass joint

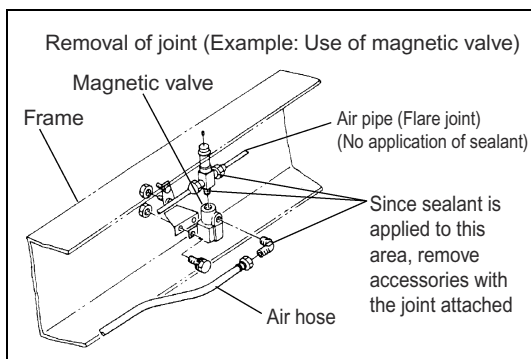
Unit : N·m{kgf·cm}

Screw nominal size	M12	M16	M20	M27
Tightening torque	$15 \pm 2 \{150 \pm 20\}$	$66 \pm 6 \{670 \pm 60\}$	$97 \pm 9 \{990 \pm 90\}$	$209 \pm 19 \{2130 \pm 190\}$

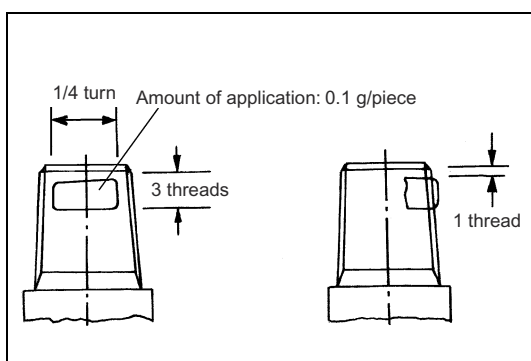
## Taper thread sealant for piping

JP31002010102005

The taper thread of the air pipe joint has application of sealant [Loctite # 575 (by Japan Loctite)]. Follow the procedures below for connection or disconnection of pipes.



SAPH310020100011



SAPH310020100012

### 1. For disconnection

- (1) The sealant ( # Loctite 575) has strong sealing feature. The return torque of the taper joint is increased about 1.5 times the initial tightening torque. When the joint is disconnected, use a long wrench for disconnection
- (2) When a joint at a poorly accessible area is replaced, remove accessories first and disconnect the joint.

### 2. For connection

- (1) For application of sealant ( # Loctite 575), wipe the sealing area completely with a rag or thinner. Apply sealant directly to about three ridges for quarter round with offset of one ridge from the end. Tighten it according to the tightening torque in the table below. Remove dirt completely from the mating part (female) before tightening.

**CAUTION** • If your eye or skin comes in contact with sealant, wash it off immediately with water.

**Tightening torque of taper joint** Unit : N·m{kgf·cm}

Screw diameter	1/4	3/8	1/2
Material			
Steel	49±10{500±100}	64±15{650±150}	
Aluminum, brass	25±5{250±50}	34±5{350±50}	44±5{450±50}

- (2) When a sealing tape is replaced with sealant, remove the tape completely first as in (1).

**CAUTION** • Be careful to prevent entry of dirt or foreign matter in the pipe.

- (3) If air leak is found after assembly with application of sealant, air leak cannot be stopped with additional tightening. Assemble the part again according to (1) and (2).

## Assembly of joints and gaskets for piping

JP31002010102006

### 1. Tightening torque of joints

Unit : N·m{kgf·cm}

Sealing method Tightening screw size	Gasket sealing method (Aluminum + Rubber or Copper)	Metal sealing method (Flare pipe type, nipple connector type)	
		Type A	Type B
M8	13{130}		
M10	20{200}		11{110}
M12	25{250}	20{200}	
M14	25{250}	31{320}	
M16	29{300}	39{400}	
M18	39{400}	59{600}	
M20	*39{400}	64{650}	20{200}
M24	69{700}		
M28	*127{1300}		

### 2. Joint assembly procedure and subsequent inspection

- (1) Before assembly, make sure that there is no dirt or burr on the seating surface (mating part, pipe joint, gasket, etc.).
- (2) Since pipes have some degrees of freedom for assembly, the seating surface tends to incline. Tighten pipes finally after temporary tightening to prevent leak.
- (3) After tightening, apply the specified pressure to each pipe joint to ensure that there is no leak.
- (4) Observe the values above for each tightening torque.

\*When assembled soft washer # 4840FR-N (aluminum and rubber carbon pressure bonding) is loosened or removed, be sure to replace it with a new part. This is not necessary for normal retightening.