

531272

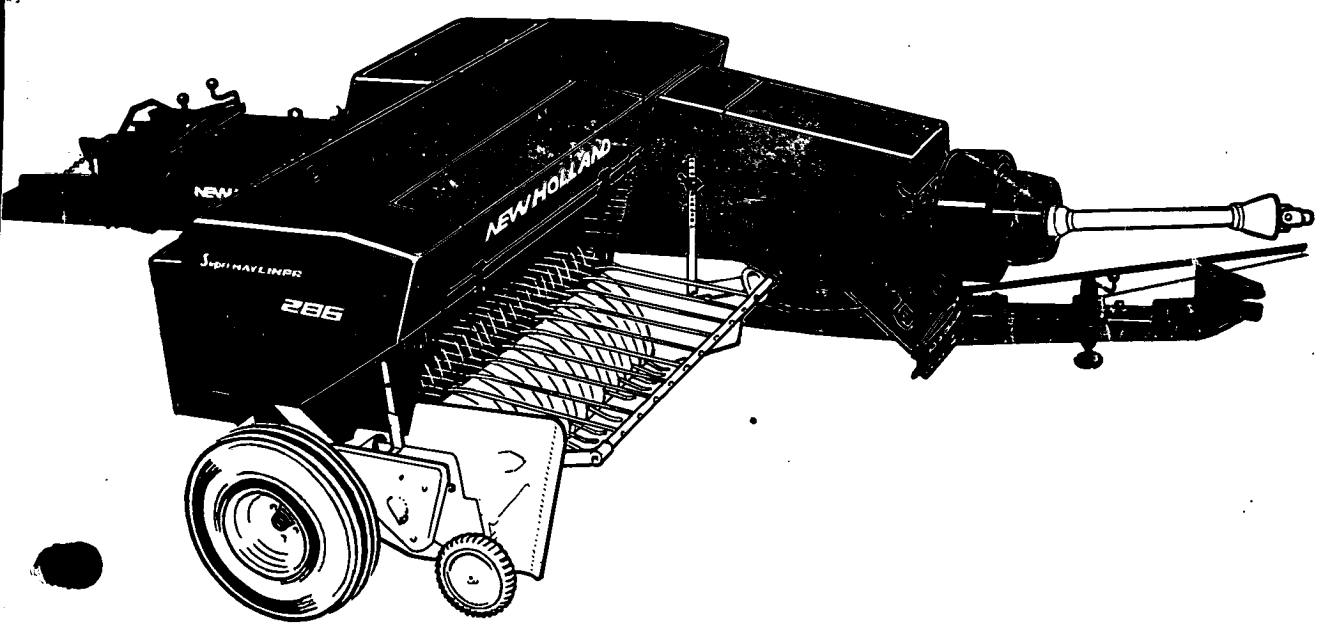
13460.



NEW HOLLAND

SERVICE PARTS CATALOGUE

(ISSUE 3/73)
(REPLACES ISSUE 8/70)



SUPER HAYLINER 286 BALER

(TWINE AND WIRE TIE MODEL)

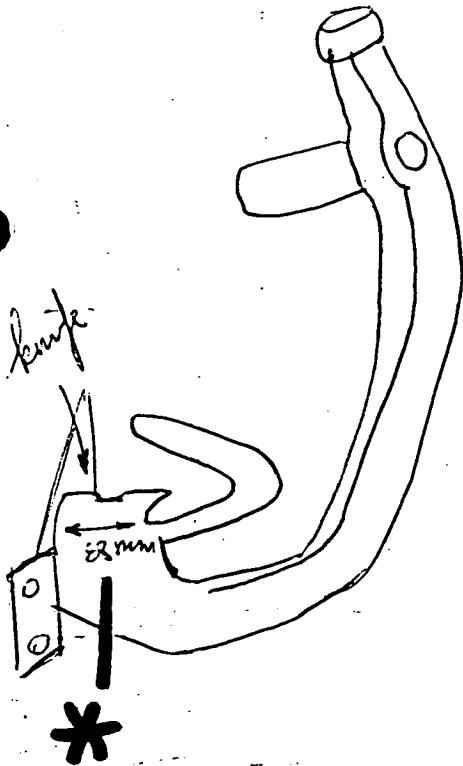
ORDERING PARTS

When ordering service parts follow the instructions listed below. By so doing, you will be assured of receiving the correct part in the shortest possible time.

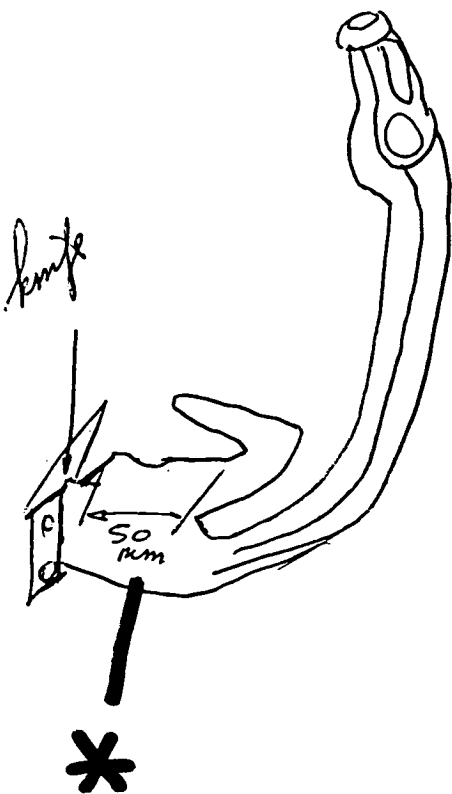
1. Give the Model and serial number.
2. Write the complete part number as well as the description of the part.
3. Whenever the terms 'left and right, or L and R', are used, it should be understood to mean from a position facing in the direction of travel.
4. Give detailed shipping instructions, that is: Railway station, Town; whether shipment is to go by parcel post, rail, road or air.

NEW HOLLAND DIVISION SPERRY RAND LIMITED is continually striving to improve its products, and therefore, reserves the right to make improvements or changes, when it becomes practical and possible to do so, without incurring any obligation to make changes, or additions, to the equipment sold previously.

265 baler group 24 item 30 :

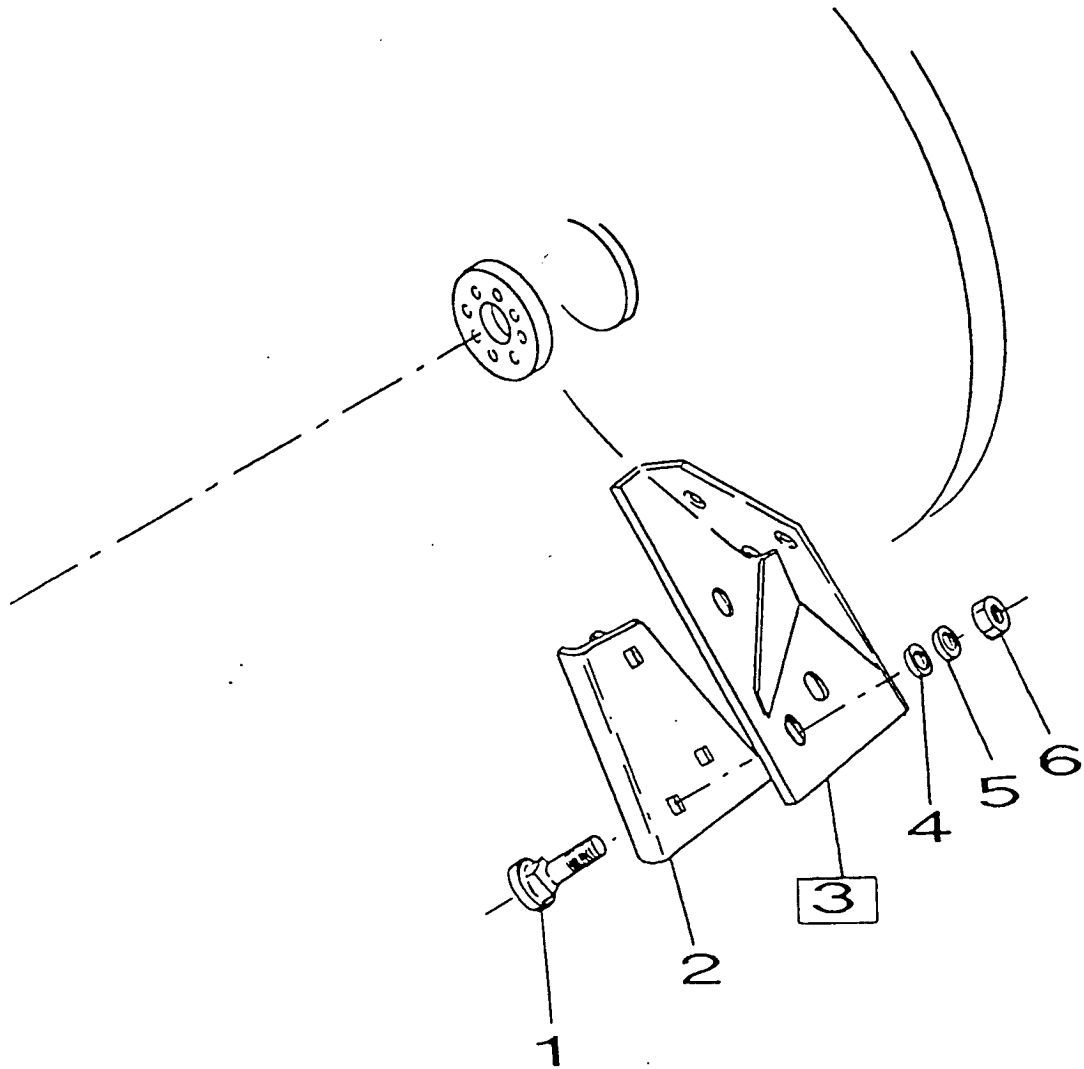


603 728



723 889

Fig.	Partnumber	Qty.	Description	Incl. fig's
1	80062322	12	Bolt	
2	84004820	4	Wear-plate	
3	84004619	2	Paddle-set	1 to 6
4	80394629	12	Washer	
5	80456935	AR	Washer	
6	80100016	12	Nut	



SUPER HAYLINER 286 BALER

CONTENTS

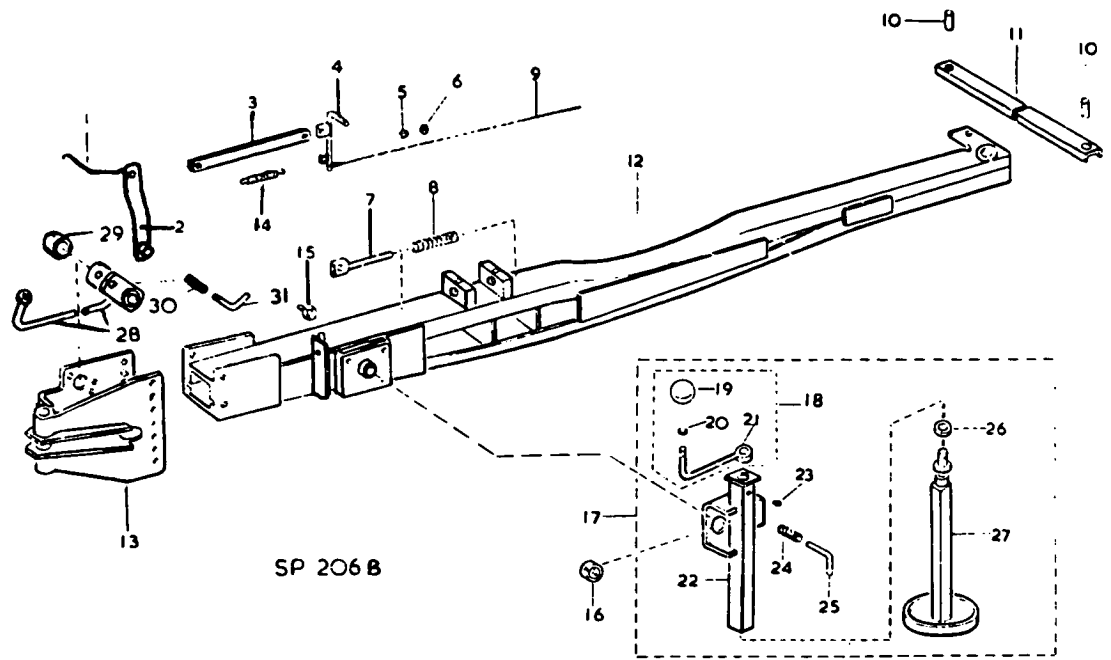
<u>Particulars</u>	<u>Page No.</u>
DRAWBAR GROUP	4
P.T.O. GROUP	6
CLUTCH AND FLYWHEEL GUARD GROUP	7
FLYWHEEL GEARBOX AND CONNECTING ROD GROUP	8
MAIN DRIVE GEARBOX	10
MAIN FRAME GROUP	12
PLUNGER GROUP	14
PICK-UP, FEEDER AND KNOTTER OR TWISTER DRIVE GROUP	16
TINE FEED GEARBOX AND SHAFT GROUP	19
FEEDER GROUP	20
FEEDER ASSIST GROUP	24
PICK-UP GROUP	26
KNOTTER GROUP	30
TWINE FINGER GROUP	34
METERING WHEEL GROUP	35
NEEDLES, YOKE AND SAFETY LATCH GROUP	36
BALE TENSION GROUP	38
WHEEL AND AXLE GROUP	40
GUARD GROUP FRONT	42
GUARD GROUP BASE	44
GUARD GROUP REAR	46
HYDRAULIC PICK-UP LIFT GROUP	48
TWINE BOX GROUP	49
TWISTER GROUP	50
WIRE GUIDE GROUP	55
WIRE CONTAINER GROUP	57
WAGON HITCH AND BALE CHUTE GROUP	58
AUTOMATIC LUBRICATION KIT	59
HYDROFORMATIC BALE TENSION KIT	61
INDEX	66

TRANSFER SET PART NO. 158781 (TWINE TIE) —
 TRANSFER SET PART NO. 530423 (WIRE TIE)
 GREASE GUN + NOZZLE 28707

NEW HOLLAND PAINT

RED	- ONE QUART	PART NO. 70365
RED	- ONE GALLON	PART NO. 70036
YELLOW	- ONE QUART	PART NO. 70106
YELLOW	- ONE GALLON	PART NO. 70107

SUPER HAYLINER 286 BALER DRAWBAR GROUP

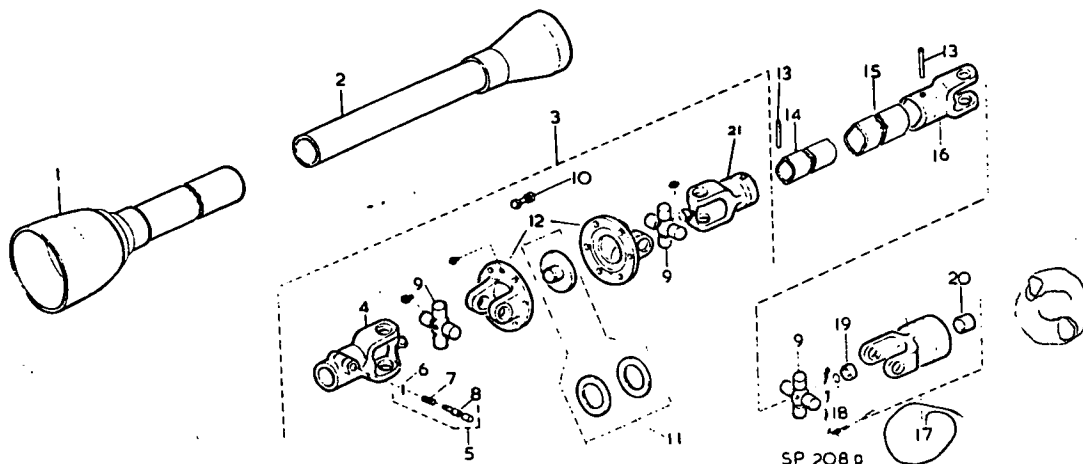


Ref. No.	Part No.	No. Used	Description
1	50273	1	Rope
2	158585	1	Latch Control Lever
		1	39365 Spacer
		1	88549 Bolt Hex. Hd. 3/8" x 5 1/2"
		1	84944 Nut 3/8"
		1	80680 Lockwasher 3/8"
3	158292	1	Plate
		2	28384 Spacer
		2	88011 Bolt Hex. Hd. 3/8" x 1 1/4"
		2	84040 Locknut 3/8"
		2	87016 Washer 3/8"
4	158285	1	Bracket
		3	87363 Washer 7/16"
		3	80755 Cotter Pin 1/8" x 1"
5	47465	1	Thimble
6	47464	1	Clamp
7	158983	1	Latch Pin
		1	87365 Washer 5/8"
		1	80755 Cotter Pin 1/8" x 1"
8	26392	1	Latch Control Spring
9	63629	1	Latch Control Cable
10	40918	2	Spacer

SUPER HAYLINER 286 BALER
DRAWBAR GROUP

<u>Ref. No.</u>	<u>Part No.</u>	<u>No. Used</u>	<u>Description</u>
11	40927	1	Support
		2	88273 Bolt Hex. Hd. 1/2" x 3 1/2"
		2	84946 Nut 1/2"
		2	80679 Lockwasher 1/2"
12	159449	1	Drawbar
		1	88570 Bolt Hex. Hd. 3/4" x 5 1/2"
		1	84041 Locknut 3/4"
		2	80714 Grease Fitting
13	532563	1	Hitch (Replaces 159629)
		1	88264 Bolt Hex. Hd. 5/8" x 6"
		2	88494 Bolt Hex. Hd. 5/8" x 1 3/4"
		3	84910 Locknut 5/8"
		3	87365 Washer 5/8"
14	00015	1	Spring
15	158358	1	Clip
		1	84467 Slotted Pan Hd. Screw 1/4" x 1/2"
		1	84942 Nut 1/4"
		1	80682 Lockwasher 1/4"
16	128542	1	Collar
		1	87948 Roll Pin 5/16" x 2 1/2"
17	152934	1	Jack Assembly
18	158009	1	Jack Handle Assembly (includes items 19, 20 and 21)
19	129344	1	Knob
20	129345	1	Retaining Ring
21	152933	1	Crank Weld Assembly
		1	84923 Roll Pin 3/16" x 1 1/4"
22	152932	1	Jack Weld Assembly
23	80714	1	Grease Fitting
24	26538	1	Spring
25	128375	1	Jack Pin
		1	87455 Roll Pin 1/8" x 1"
26	50600	1	Washer - Nylon
27	152804	1	Inner Jack Tube Assembly
28	532564	1	Support Weld Assembly
29	532569	1	Collar
		1	87580 Roll Pin 5/16" x 2"
30	26538	1	Spring
31	128375	1	Pin
		1	87455 Roll Pin 1/8" x 1"
32	532815	1	Support Kit Inc. 28, 29, 30, & 31

SUPER HAYLINER 286 BALER
P.T.O. GROUP



Ref. No.	Part No.	No. Used	Description
-	532823	1	P.T.O. Assembly Complete (includes items 1 - 21)
1	531120	1	Inner Half Guard (Front)
2	531121	1	Outer Half Guard (Rear)
3	531155	1	Wide Angle Joint Assembly complete
4	533080	1	Front Yoke (includes items 5, 6, 7 and 8)
5	158313	2	Pin, Spring and Retaining Pin Assembly (includes items 6, 7, and 8)
6	69813		Use Ref. 5
7	69812		Use Ref. 5
8	69815		Use Ref. 5
9	531113	3	Journal Bearing and Circlip Assembly (includes 4 - 530856 circlips)
		3	61373 Grease Fitting
10	531114	8	Special Nut and Bolt
11	531112	1	Guide and Slip Disc Kit
12	533078	2	Flange W.A.
		1	61373 Grease Fitting
13	531116	2	Roll Pin
14	531117	1	Inner Half Shaft - Front
15	531118	1	Outer Half Shaft - Rear
16	531119	1	Yoke
17	***532822	1	Rear Yoke Assembly (includes items 18, 19, and 20)
	**158416	1	Rear Yoke Assembly (includes items 18, 19, and 20)
18	69506	1	Circlip
19	34164	1	Ball Bearing
20	28280	1	Bushing
21	533079	1	Rear Yoke
22	*158171	2	Chain (not shown) Held by the following:
		2	51869 Bracket
		2	88573 CS'K Hex. Hd. Bolt 1/4" x 3/4"
		2	84942 Nut 1/4"
		2	80682 Lockwasher 1/4"
		2	87361 Plain Washer 1/4"

NOTE: *For export models only
 **Used on and below Serial Number 1410 (i.e. Clutch Pins 1/2" C.D.)
 ***Used on and above Serial Number 1411 (i.e. Clutch Pins 9/16" C.D.)