

WINY/COMB MASTER COPY

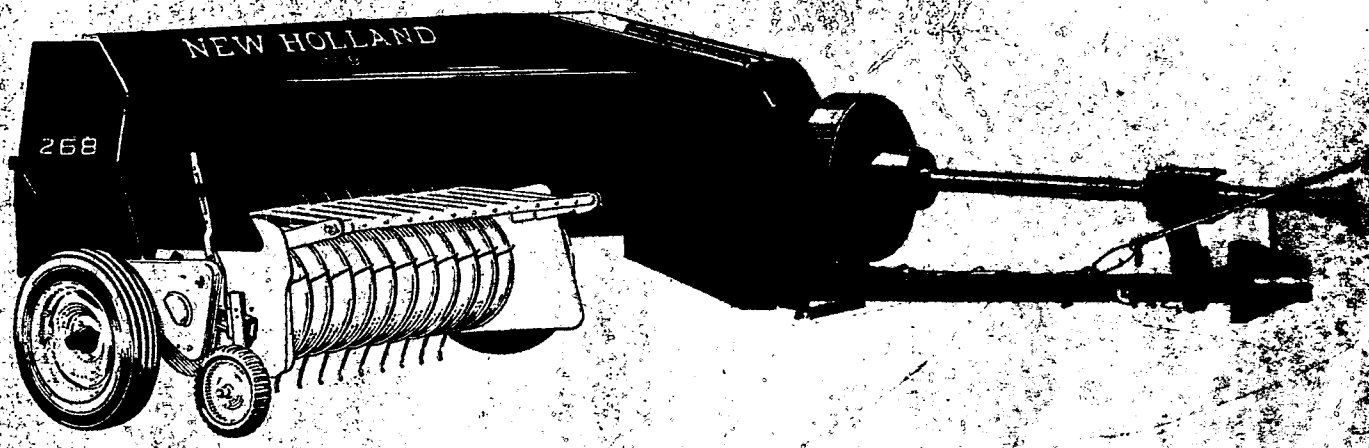


# NEW HOLLAND

## SERVICE PARTS CATALOGUE

(ISSUE 3/70)  
(REPLACES ALL PREVIOUS ISSUES)

(NEW HOLLAND)  
DECAL KIT (8067029)



P.T.O. MODEL

# SUPER HAYLINER 268 BALER

(TWINE AND WIRE TIE MODEL)

# SUPER HAYLINER 268 BALER

## CONTENTS

<i>Particulars</i>	<i>Page No.</i>
TONGUE HITCH, JACK AND CONVENIENCE CONTROL GROUP	4, 5
FLYWHEEL, GEARBOX AND CONNECTING ROD GROUP	6, 7
MAIN DRIVE GEARBOX GROUP	8, 9
PLUNGER GROUP	10, 11, 12
METERING WHEEL GROUP	13
NEEDLE YOKE, ROD AND LINK GROUP	14, 15
KNOTTER GROUP—TWINE TIE MODELS	16, 17, 18, 19
TWINE FINGER GROUP	20
BALE TENSION GROUP	21
PICK-UP DRIVE GROUP	22, 23
PICK-UP GROUP (WIDE TINE MODELS)	24, 25, 26
"    "    (CLOSE SET TINE MODELS)	24A, 25A, 26A
FEEDER GROUP	28, 29, 30
FEEDER SHELL GROUP	32, 33, 34
TWINE BOX GROUP	35
GUARD GROUP	36, 37, 38
WHEEL AND AXLE GROUP	40, 41
MAIN FRAME GROUP	42, 43
P.T.O. ASSEMBLY—FRONT	44, 45
P.T.O. BEARING AND TUBE ASSEMBLY	46
P.T.O. ASSEMBLY—REAR	47
P.T.O. CLUTCH AND FLYWHEEL GUARD GROUP	48
TWISTER GROUP—WIRE TIE MODELS	50, 51, 52, 53, 54
WIRE GUIDE GROUP	55, 56
WIRE CONTAINER GROUP	57
ACCESSORIES	58, 59, 60
NUMERICAL INDEX	61, 62, 63, 64, 65, 66, 67
HARDWARE INDEX	68, 69, 70

TRANSFER SET PT. No. = 158726.

### NEW HOLLAND PAINT

RED	—	ONE QUART	PART No. 70365
RED	—	ONE GALLON	PART No. 70036
YELLOW	—	ONE QUART	PART No. 70106
YELLOW	—	ONE GALLON	PART No. 70107

**SUPER HAYLINER 268 BALER**  
**TONGUE HITCH JACK AND CONVENIENCE CONTROL**

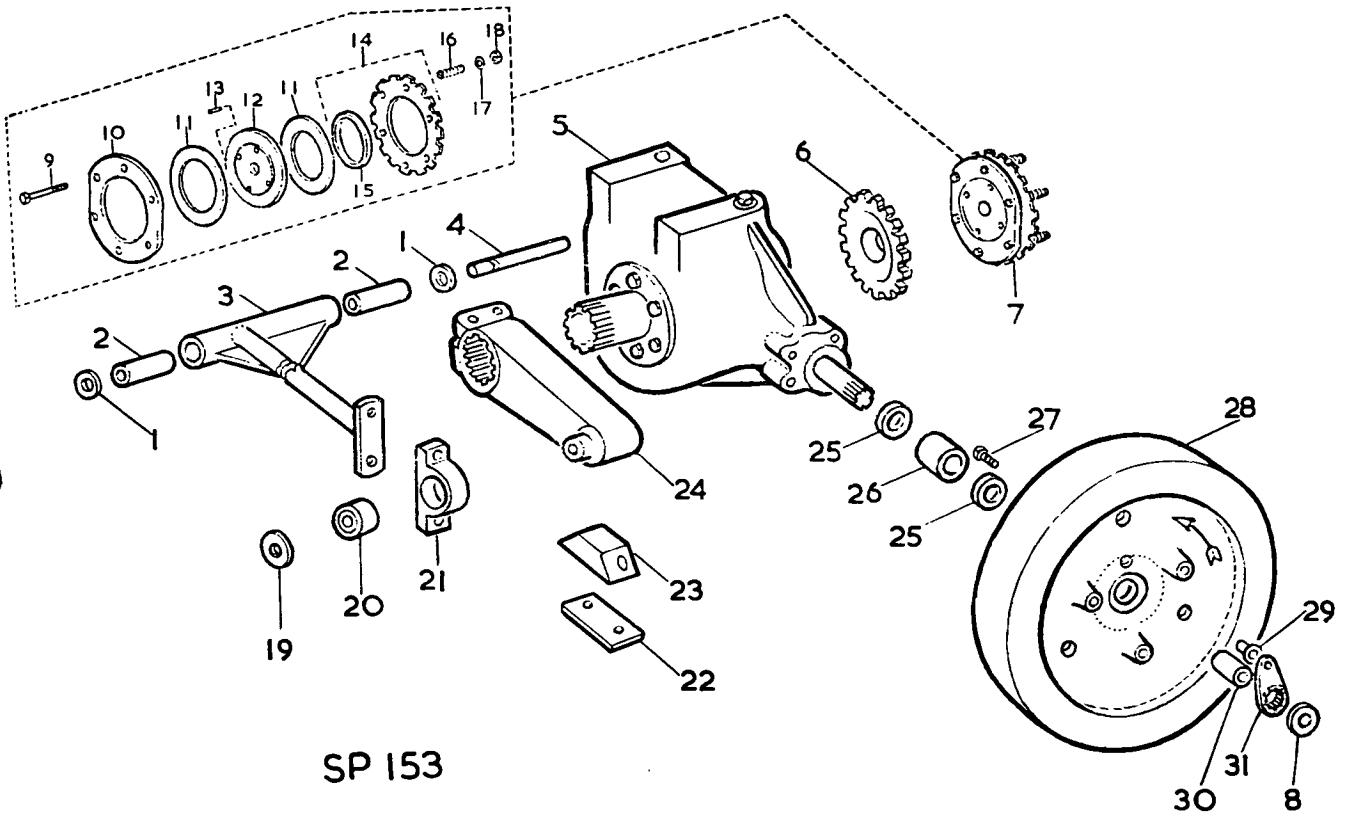
Ref. No.	Part No.	No. Used	Description
7	50273	1	Rope
8	151199	1	Hairpin Cotter
9	51684	1	Latch Pin 1 87365 Washer, $\frac{5}{8}$ " 1 80755 Cotter Pin, $\frac{1}{8}$ " x 1"
10	47603	1	Latch Spring
11	47279	1	Bracket
12	47308	1	Spacer
13	69983	1	Lever 1 84576 Carr. Bolt Sq., $\frac{5}{16}$ " x 1" 1 87347 Washer, $\frac{5}{16}$ " 1 87382 Locknut, $\frac{5}{16}$ "
14	*152954	1	Tongue Weld Assembly
14A	**158015	1	1 61217 Bolt Hex. Hd., $\frac{3}{4}$ " x $5\frac{1}{2}$ " 1 84041 Locknut, $\frac{3}{4}$ "
15	47465	2	Thimble
16	47464	3	Cable Clamp
17	51883	1	Latch Control Cable
18	47292	1	Latch Pin 1 87365 Washer, $\frac{5}{8}$ " 1 80755 Cotter Pin, $\frac{1}{8}$ " x 1"
19	26392	1	Latch Control Spring
20	151591	1	Tongue Support Bottom 2 87048 Bolt Hex. Hd., $\frac{1}{2}$ " x 5" 2 80679 Lockwasher, $\frac{1}{2}$ " 2 84946 Hex. Nut, $\frac{1}{2}$ "
21	69963	1	Jack Assembly 1 87516 Roll Pin, $\frac{1}{4}$ " x $1\frac{5}{8}$ "
22	**128542	1	Collar 1 87948 Roll Pin $\frac{5}{16}$ " x $2\frac{1}{2}$ "
23	**152934	1	Jack Assembly
24	**158009	1	Jack Handle Assembly
25	**129344	1	Knob
26	**129345	1	Retaining Ring
27	**152933	1	Crank Weld Assembly 1 84923 Roll Pin $\frac{3}{16}$ " x $1\frac{1}{4}$ "
28	**152932	1	Jack Weld Assembly
29	**80714	1	Lub. Fitting $\frac{1}{4}$ "-28. Short
30	**26538	1	Spring
31	**128375	1	Jack Pin 1 87455 Roll Pin, $\frac{1}{8}$ " x 1"
32	**50600	1	Washer—Nylon
33	**152804	1	Inner Jack Tube Assembly
34	**158358	1	Spring Clip 1 84467 Slotted Pan. Hd. Screw $\frac{1}{4}$ " x $\frac{1}{2}$ " 1 80682 Lockwasher $\frac{1}{4}$ " 1 84942 Nut $\frac{1}{4}$ "

\* Used on and below Serial No. 8500

\*\* Used on and above Serial No. 8501

# SUPER HAYLINER 268 BALER

## FLYWHEEL, GEARBOX AND CONNECTING ROD



SP 153

**SUPER HAYLINER 268 BALER**  
FLYWHEEL, GEARBOX AND CONNECTING ROD

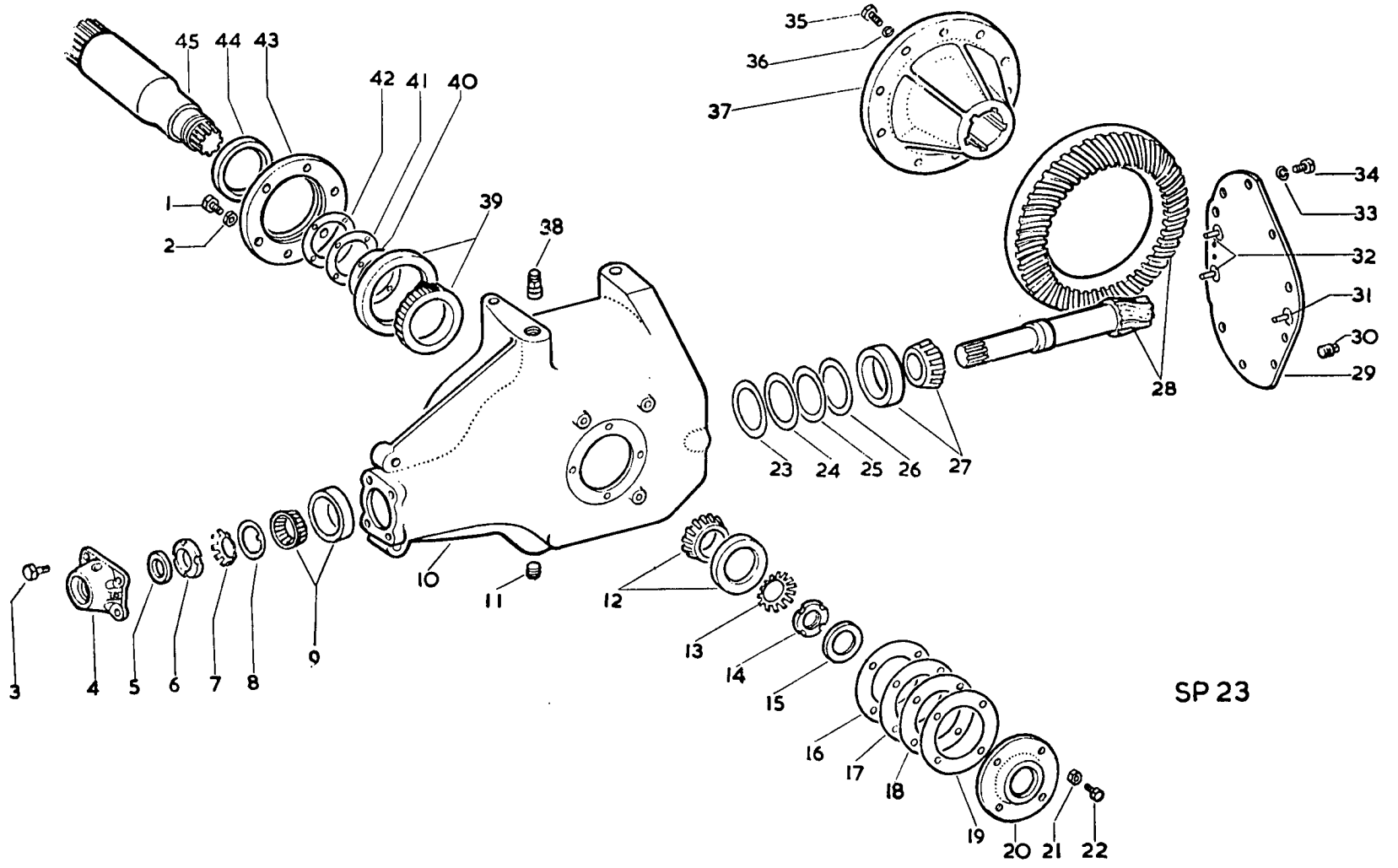
Ref. No.	Part No.	No. used	Description
1	151422	2	Seal
2	34574	2	Bushing
3	66097	1	Connecting Rod Assembly (with Bushing 34574) 1 87414 Lub Fitting Self Tapping, 1/4"-28 straight 2 87503 Bolt Hex. Hd., 1/2" x 1 1/4" 2 80671 Lockwasher, 1/2"
4	*132910	1	Plunger Pin 2 80447 SS Sq. Hd. Cup Point, 1/2" x 1" 2 80671 Lockwasher 1/2"
5	66175	1	Gearbox Assembly (for Breakdown see Gearbox Group) 4 128868 Spacer 4 87608 Bolt Hex. Hd., 5/8" x 2" 4 64053 Washer, 5/8" 2 87049 Bolt Hex. Hd., 1/2" x 3 1/2" 2 80671 Lockwasher, 1/2" 2 84932 Hex. Nut, 1/2"
6	152087	1	Sprocket 24T
7	158540	1	Clutch Assy 1 87198 Bolt Hex. Hd. 5/8" x 2 1/2" 1 61019 Lockwasher
8	37776	1	Washer
9	88184	6	Bolt Hex. Hd., 3/8" x 3 1/2" <i>87070 3/8 x 3 1/2</i>
10	28211	1	Clutch Face
11	128651	2	Friction Disc
12	131625	1	Clutch Plate
13	87538	4	Spring Pin 1/4" x 1"
* 14	152496	1	Sprocket Assy. (with Bushing 131622)
15	131622	1	Bushing
16	28284	6	Spring
17	84294	6	Washer 3/8"
18	84930	6	Hex Nut
19	29684	1	Washer
20	66263	1	Bearing 1 80364 Bolt Hex. Hd., 1/2" x 2 1/4" 1 84236 Locknut 1/2"
21	45570	1	Connecting Rod Cap
22	66180	1	Cushion Face 2 81682 Bolt Hex. Hd. 5/16" X 2 1/2" 2 87382 Locknut 5/16"
23	66181	1	Cushion
24	66179	1	Crank 2 87500 Bolt Hex. Hd. 5/8" X 4 1/2" 2 61019 Lockwasher 3/8" 2 84933 Nut 5/8"
25	38593	2	Washer
26	66199	1	Spacer A/R 152421 Washer
27	39716	1	Shear Bolt and Nut
28	51929	1	Flywheel Assy. with Bushing and Sleeve 1 87414 Lub Fitting Self Tapping 1/4"-28 straight
29	151896	1	Shear Bolt Sleeve
30	152422	1	Bushing
31	37218	1	Safety Shear Bolt Hub 1 61019 Lockwasher 3/8" 1 87195 Bolt Hex. Hd. 5/8" X 1 1/2"

\* 152496 use 131624 - drill 10mm clearance holes for  
tipped rollers, 3/8 hole.

A/R=As required

\*on and below Serial No. 8501 use 139736 (Plunger Roller Bolt) with 132910 Plunger Pin.

# SUPER HAYLINER 268 BALER MAIN DRIVE GEARBOX



SP 23

## SUPER HAYLINER 268 BALER

## MAIN DRIVE GEARBOX

Ref. No.	Part No.	No. used	Description
1	80345	6	Bolt Hex. Hd., $\frac{3}{8}$ " x $1\frac{1}{4}$ "
2	80673	6	Lockwasher, $\frac{3}{8}$ "
3	80330	4	Bolt Hex. Hd., $\frac{5}{16}$ " x $\frac{3}{4}$ "
		4	80674 Lockwasher, $\frac{5}{16}$ "
4	37785	1	End Cap
		1	80714 Lub Fitting, $\frac{1}{4}$ "-28 Short
5	37707	1	Oil Seal
6	37812	1	Bearing Locknut
7	58153	1	Bearing Lockwasher
8	54167	1	Keyed Washer
9	37734	1	Taper Roller Bearing Assembly
10	37766	1	Gearbox
11	<del>80815</del>	1	Pipe Plug, $\frac{3}{4}$ "
12	37436	1	Taper Roller Bearing Assembly
13	37426	1	Bearing Lockwasher
14	37425	1	Bearing Locknut
15	37706	1	Oil Seal
16	38033	A/R	Shim .010
17	38032	A/R	Shim .007
18	38031	A/R	Shim .005
19	38030	A/R	Shim .003
20	36991	1	Bearing Retainer
21	80673	4	Lockwasher, $\frac{3}{8}$ "
22	80327	4	Bolt Hex. Hd., $\frac{3}{8}$ " x 1"
23	38034	A/R	Shim .002
24	38035	A/R	Shim .005
25	38036	A/R	Shim .007
26	38037	A/R	Shim .010
27	37733	1	Taper Roller Bearing Assembly
28	66466	1	Pinion and Gear Set
29	56818	1	Gearbox Cover Weld Assembly
30	80709	1	Pipe Plug, $\frac{1}{8}$ "
31	81849	1	Dowel Pin, $\frac{1}{2}$ " x $1\frac{1}{2}$ "
32	81844	2	Dowel Pin, $\frac{3}{8}$ " x $1\frac{1}{2}$ "
33	80674	12	Lockwasher, $\frac{5}{16}$ "
34	80330	12	Bolt Hex. Hd., $\frac{5}{16}$ " x $\frac{3}{4}$ "
35	87503	10	Bolt Hex. Hd., $\frac{1}{2}$ " x $1\frac{1}{4}$ "
36	80671	10	Lockwasher, $\frac{1}{2}$ "
37	39723	1	Ring Gear Hub
38	39818	1	Pipe Plug Assembly
39	32084	1	Taper Roller Bearing Assembly
40	29814	A/R	Shim .003
41	29815	A/R	Shim .005
42	29813	A/R	Shim .007
43	37783	1	Bearing Retainer
44	37705	1	Oil Seal
45	66178	1	Crank Shaft