

---

# CIRCUIT DIAGRAMS

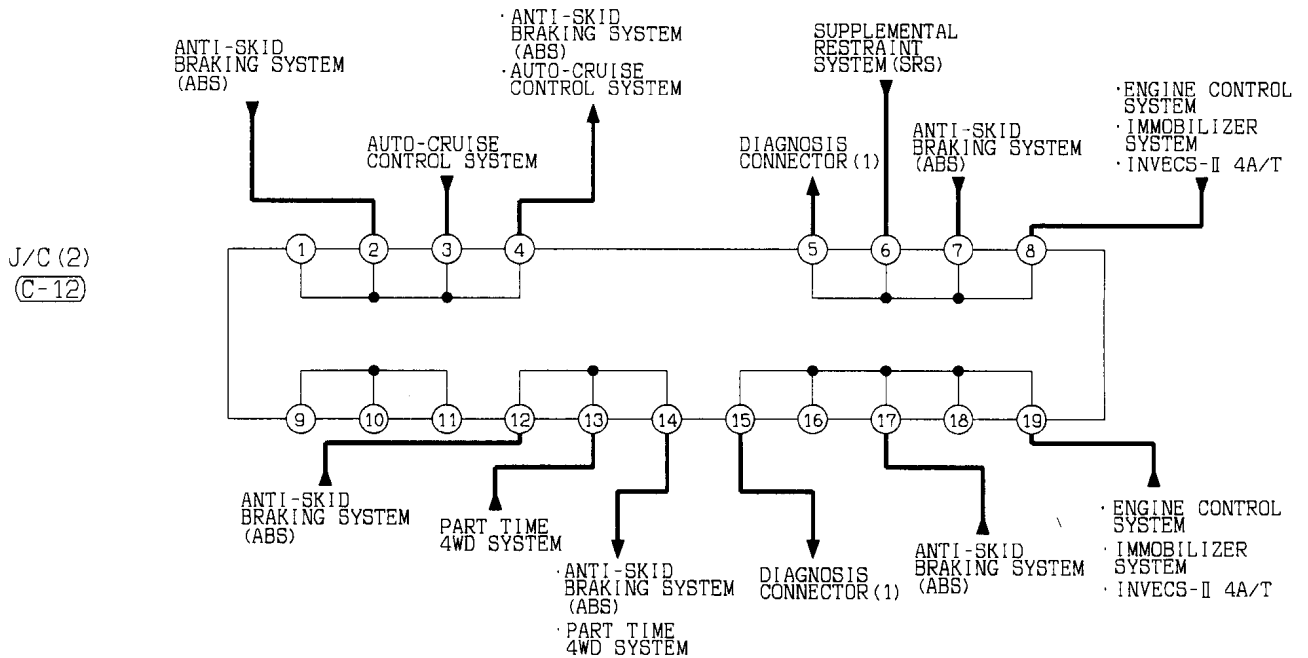
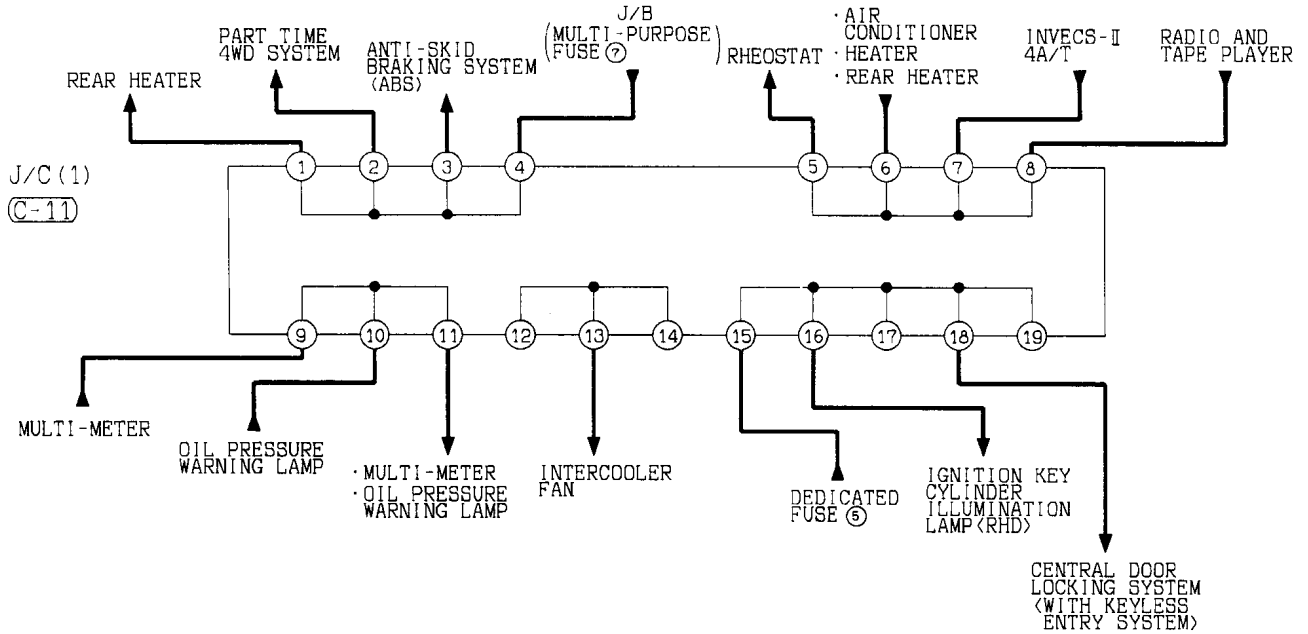
## CONTENTS

<b>JOINT CONNECTOR (J/C)</b> .....	<b>4-2</b>	<b>FUEL WARNING LAMP</b> .....	<b>4-62</b>
<b>POWER DISTRIBUTION SYSTEM</b>		<b>OIL PRESSURE WARNING LAMP</b> .....	<b>4-63</b>
L.H. drive vehicles .....	4-6	<b>FUEL FILTER WARNING LAMP</b>	
R.H. drive vehicles .....	4-12	Diesel-powered vehicles .....	4-63
<b>STARTING SYSTEM</b>		<b>ENGINE OIL LEVEL WARNING LAMP</b>	
A/T .....	4-18	Petrol-powered vehicles .....	4-64
<b>IGNITION SYSTEM</b> .....	<b>4-19</b>	<b>HEATER</b>	
<b>ENGINE CONTROL SYSTEM</b>		Petrol-powered vehicles .....	4-66
MPI-M/T .....	4-20	<b>AIR CONDITIONER</b>	
MPI-A/T .....	4-30	Petrol-powered vehicles .....	4-68
<b>INVECS-II 4A/T</b> .....	<b>4-40</b>	<b>ANTI-SKID BRAKING SYSTEM (ABS)</b> ....	<b>4-72</b>
<b>REAR FOG LAMP</b>		<b>AUTO-CRUISE CONTROL SYSTEM</b> .....	<b>4-78</b>
L.H. drive vehicles .....	4-50	<b>PART TIME 4WD SYSTEM</b> .....	<b>4-84</b>
R.H. drive vehicles .....	4-54	<b>IMMOBILIZER SYSTEM</b> .....	<b>4-86</b>
<b>METER AND GAUGE</b> .....	<b>4-58</b>		
<b>BRAKE WARNING LAMP</b> .....	<b>4-62</b>		

---

JOINT CONNECTOR (J/C)

NOTE  
 IN ACTUAL VEHICLES, ANY OF THE TERMINALS CONNECTED IN J/C ARE USED.  
 THE TERMINALS DESCRIBED IN THE CIRCUIT DIAGRAM MAY NOT BE  
 IDENTICAL TO THOSE OF THE VEHICLES.



**(C-11)**  
 MU801559

1	2	3	4	5	6	7	8			
9	10	11	12	13	14	15	16	17	18	19

**(C-12)**  
 MU801559

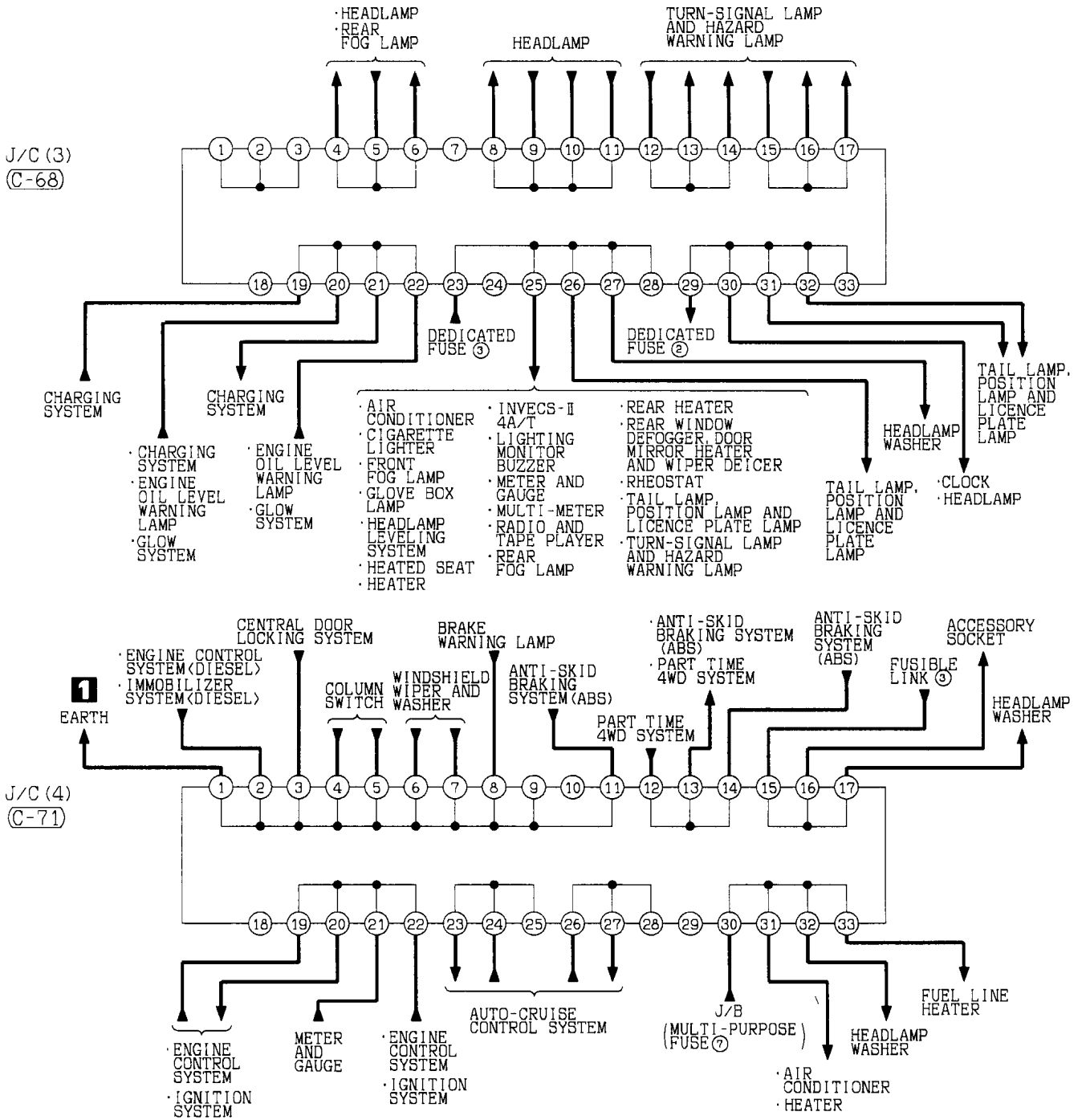
1	2	3	4	5	6	7	8			
9	10	11	12	13	14	15	16	17	18	19

**(C-68)**

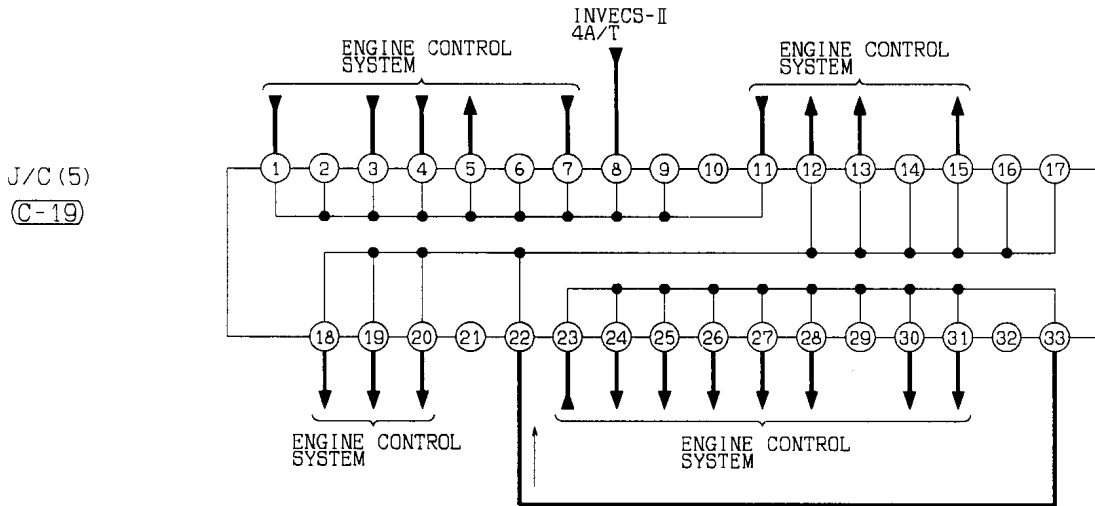
1	2	3	4	5	6	7	8	9	10	11
12	13	14	15	16	17	18	19	20	21	22
23	24	25	26	27	28	29	30	31	32	33

**(C-71)**

1	2	3	4	5	6	7	8	9	10	11
12	13	14	15	16	17	18	19	20	21	22
23	24	25	26	27	28	29	30	31	32	33



JOINT CONNECTOR (J/C) (CONTINUED)



(C-19)

1	2	3	4	5	6	7	8	9	10	11
12	13	14	15	16	17	18	19	20	21	22
23	24	25	26	27	28	29	30	31	32	33

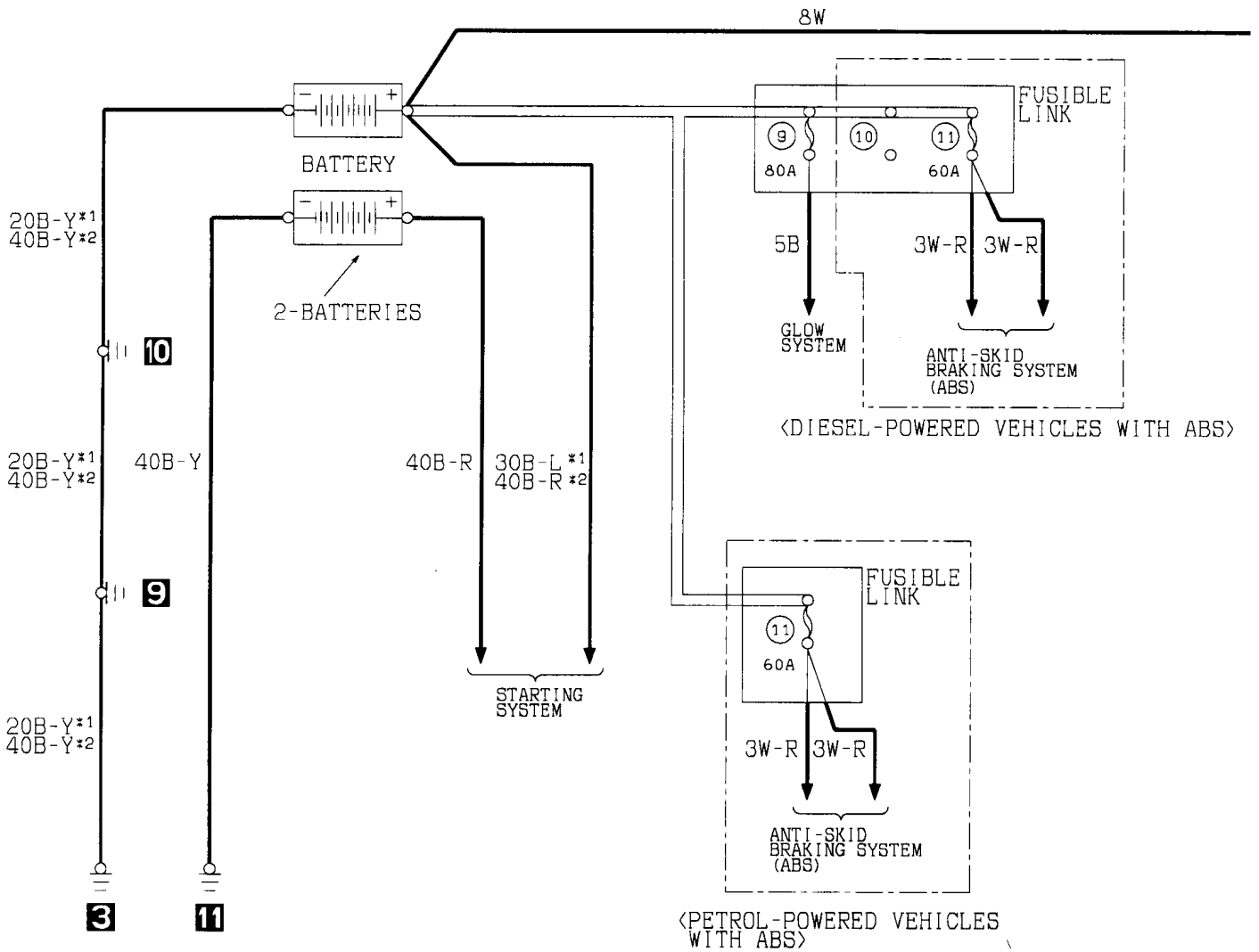
---

NOTES

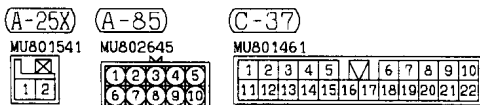
POWER DISTRIBUTION SYSTEM

L.H. drive vehicles

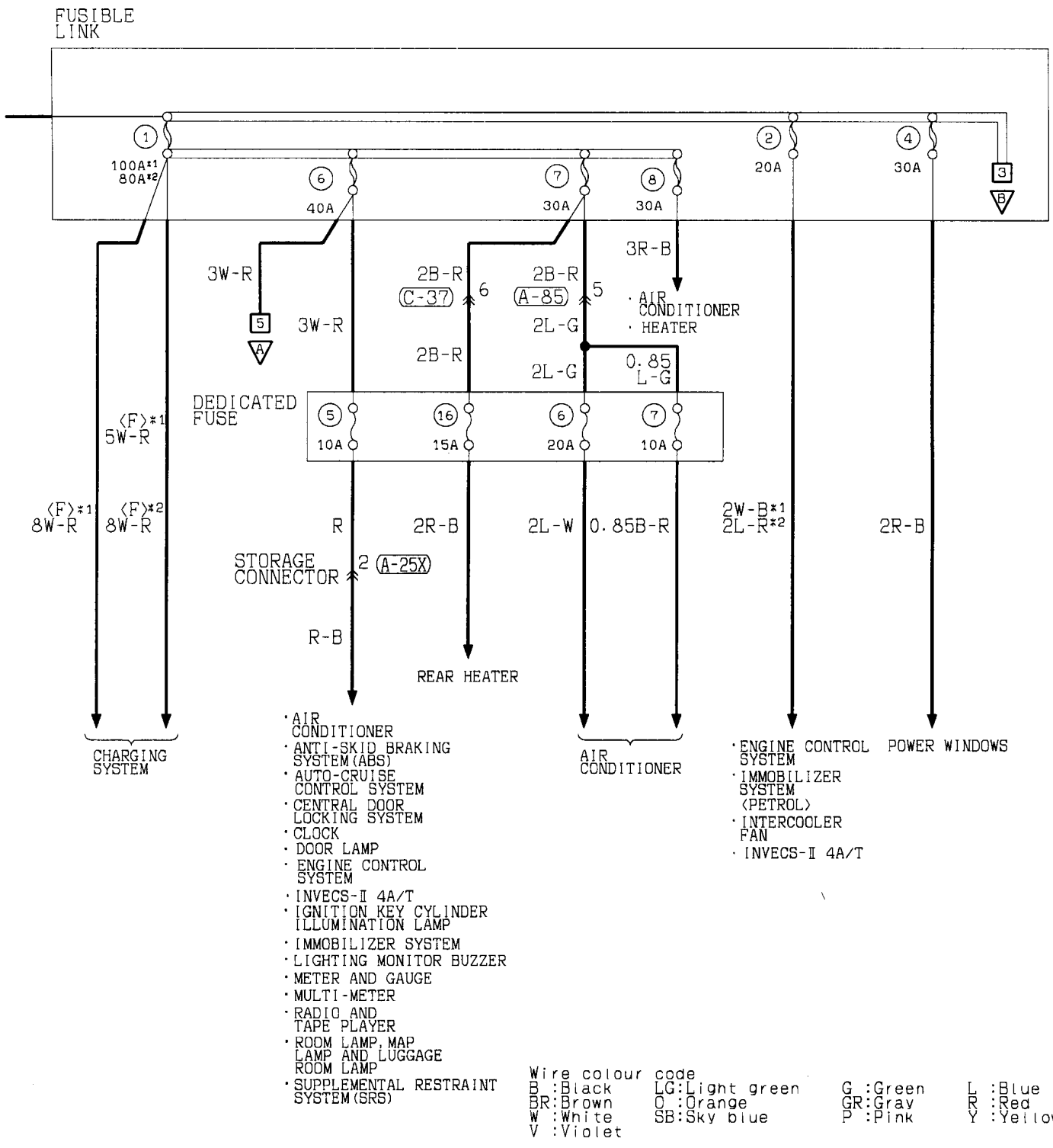
1



NOTE  
 \*1: PETROL  
 \*2: DIESEL

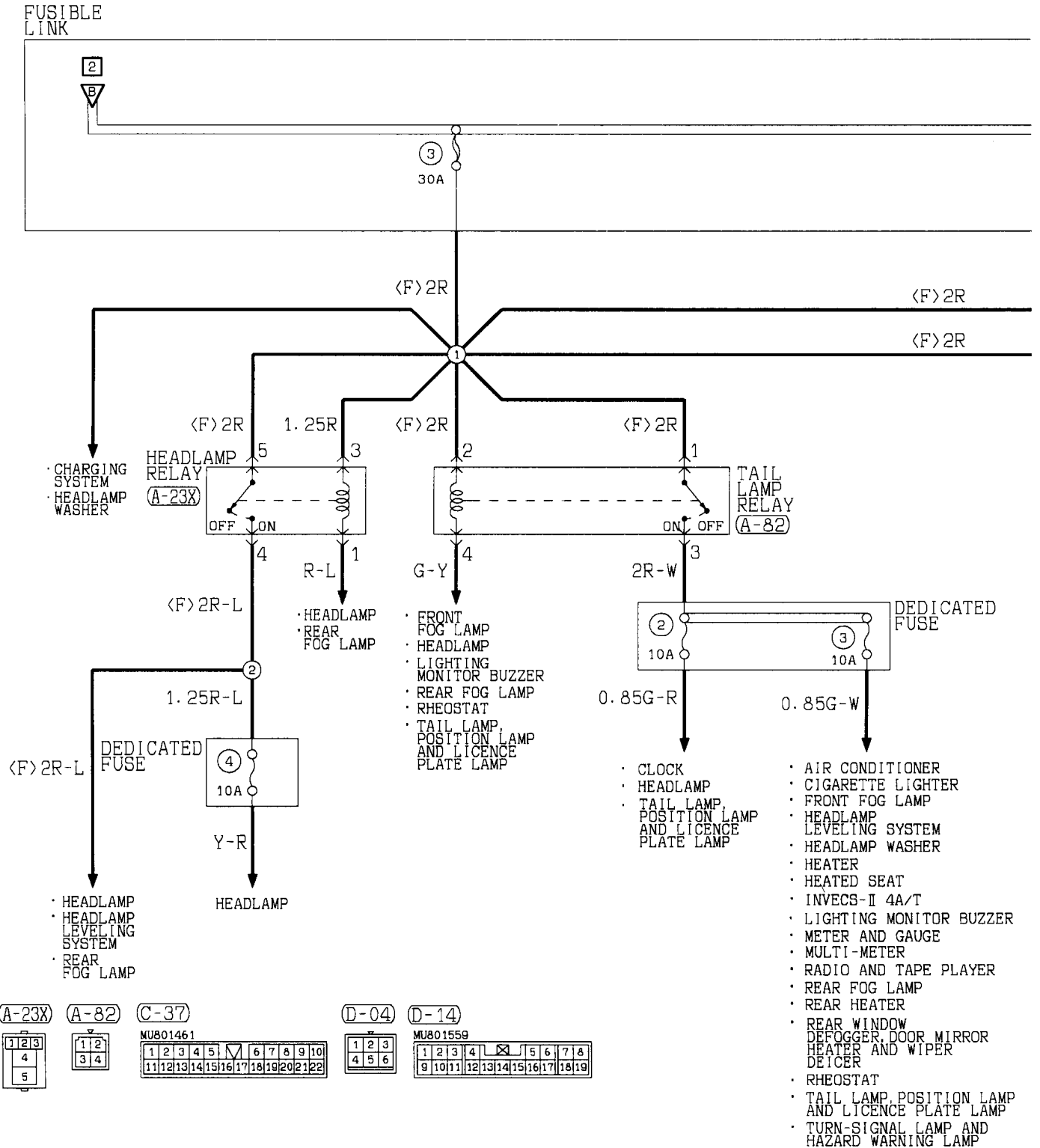


2



POWER DISTRIBUTION SYSTEM <L.H. drive vehicles> (CONTINUED)

3



H1P01E00BA