

**MITSUBISHI**  
*MT180H*  
*MT180HD*  
HST Tractor  
**INSTRUCTION BOOK**

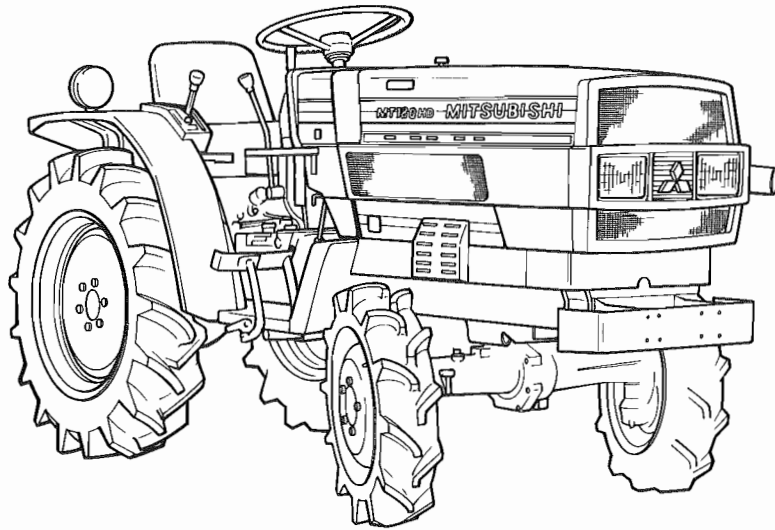




# mitsubishi

## MT180H MT180DH

# INSTRUCTION BOOK



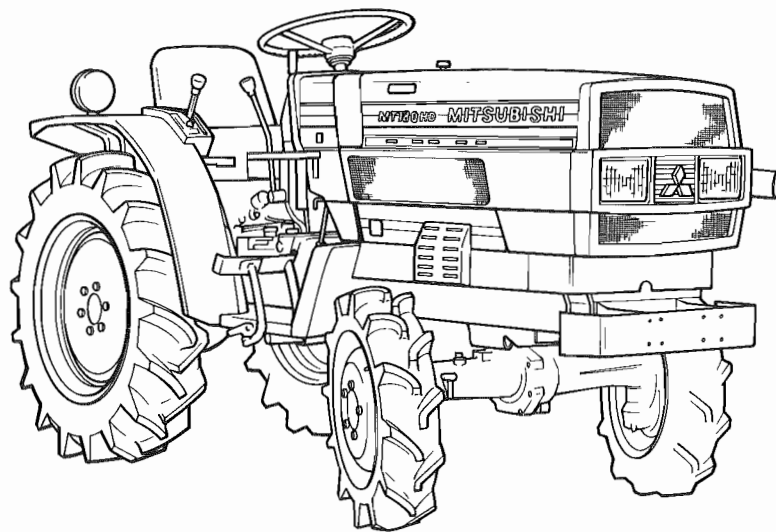
 MITSUBISHI AGRICULTURAL MACHINERY CO., LTD.

6-3, KANDA KAJICHO 3-CHOME, CHIYODA-KU,  
TOKYO JAPAN

# mitsubishi

## MT180H MT180DH

# INSTRUCTION BOOK



 MITSUBISHI AGRICULTURAL MACHINERY CO., LTD.

6-3, KANDA KAJICHO 3-CHOME, CHIYODA-KU,  
TOKYO JAPAN



## INTRODUCTION

This instruction manual contains information on the operation, lubrication and maintenance of your tractor. The information contained is comprehensive and essential, and is designed to assist you, even if unexperienced, in utilizing your tractor.

How well your tractor continues to give satisfactory performance depends greatly upon the manner in which it is operated. It is, therefore, requested that this manual be read carefully and kept ready for use so that the operation and maintenance services will properly be carried out in order to keep the tractor in top mechanical condition at all times.

Should any information as to your tractor be required, consult your local dealer or distributor stating the machine and engine serial numbers of the tractor concerned.

We are sure you will be happy with your tractor.

### NOTE:

Expressions such as LEFT, RIGHT, FRONT or REAR used in this manual should be understood in accordance with following rules:

FRONT means the front grill end while REAR means the lifting arm end of the tractor.

LEFT or RIGHT means the left or right hand side of the tractor looking forward from operator's seat.

