

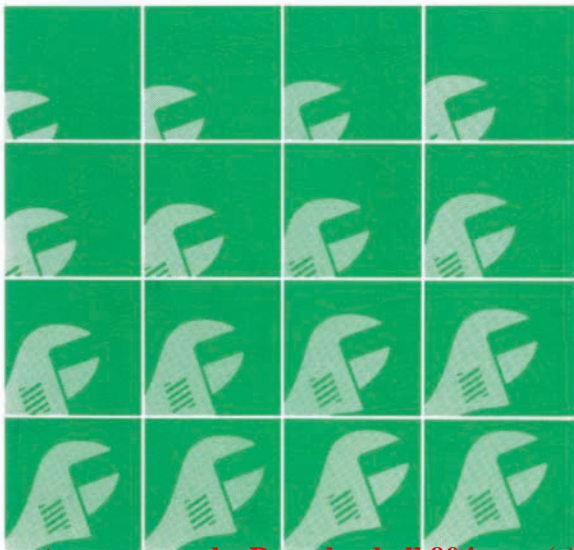
# Mitsubishi Fuso 1990 1991 Fk Fm Service Manual

Full download: <http://manualplace.com/download/mitsubishi>

## Service Manual

MITSUBISHI  
FUSO

# FK.FM 1990



This is the cut pages sample. Download all 904 page(s) at

Pub No. 1990-90

# FK.FM

## Service Manual

### FOREWORD

This service manual contains the instructions for the servicing of the Mitsubishi Fuso FK, FM series trucks. Please make the most of this service manual to perform correct servicing and wasteless operations. Note that some of the contents of this service manual are subject to change owing to improvements, etc. that may be introduced after publication of the service manual.

For more details, consult your local Mitsubishi Fuso Dealers and Distributors.

May 1989

### GROUP INDEX

GENERAL .....	00
MAINTENANCE SCHEDULE .....	01
ENGINE .....	11
LUBRICATION .....	12
FUEL AND ENGINE CONTROL .....	13
COOLING .....	14
INTAKE AND EXHAUST .....	15
ENGINE ELECTRICAL .....	16
CLUTCH .....	21
MANUAL TRANSMISSION (M5S5, M6S5) .....	22A
MANUAL TRANSMISSION (M8S5, M8S2x5) .....	22B
AUTOMATIC TRANSMISSION .....	23
PROPELLER SHAFT .....	25
FRONT AXLE .....	26
REAR AXLE .....	27
WHEEL AND TIRE .....	31
FRONT SUSPENSION .....	33
REAR SUSPENSION .....	34
BRAKE (AIR OVER HYDRAULIC BRAKE) .....	35A
BRAKE (FULL AIR BRAKE) .....	35B
PARKING BRAKE (CENTER PARKING BRAKE) .....	36A
PARKING BRAKE (WHEEL PARKING BRAKE) .....	36B
STEERING .....	37
FRAME .....	41
CAB .....	42
CHASSIS ELECTRICAL .....	54
AIR CONDITIONER .....	55A
HEATER .....	55B

## COMPILATION OF THIS MANUAL – GROUP CLASSIFICATION

### 1. GROUP CLASSIFICATION

This manual is organized into groups as follows:

Group No.	Group Name	Contents
00	General	Exterior views, major specifications, power train table, equipment model notation, performance curves, servicing precautions, standard bolts and nuts tightening torque table, towing precautions, chassis and engine number, vehicle identification number
01	Maintenance schedule	Maintenance schedule table, simple maintenance procedures, lubrication chart, simple lubrication procedures
11	Engine	Troubleshooting, specifications, service standards, special tools, general, engine proper (cylinder head, valve mechanism, camshaft, piston, crankshaft, timing gear, flywheel)
12	Lubrication	Troubleshooting, specifications, service standards, special tools, general, lubrication system (oil pump, oil filter, oil cooler)
13	Fuel and engine control	Troubleshooting, specifications, service standards, special tools, general, fuel system (injection pump, injection nozzle, fuel filter, water separator), engine control (accelerator pedal, fuel control, stop button)
14	Cooling	Troubleshooting, specifications, service standards, special tools, general, cooling system (water pump, thermostat, radiator, fan)
15	Intake and exhaust	Troubleshooting, specifications, service standards, special tools, general, air cleaner, turbocharger, manifold, intercooler
16	Engine electrical	Troubleshooting, specifications, service standards, special tools, general, starter, alternator, glow system
21	Clutch	Troubleshooting, specifications, service standards, special tools, general, clutch proper, clutch pedal, clutch master cylinder, power cylinder, clutch booster, clutch housing, replacement of clutch fluid and bleeding of clutch system, clutch pedal adjustment, lubricating of drive pinion splines
22A	Manual transmission <M5S5, M6S5>	Troubleshooting, specifications, service standards, special tools, general, removal and installation of transmission, transmission assembly, transmission proper (main shaft, counter shaft), gear shifter, rear cover, transmission control
22B	Manual transmission <M8S5, M8S2x5>	Troubleshooting, specifications, service standards, special tools, general, removal and installation of transmission, transmission assembly, transmission proper (main shaft, counter shaft), gear shifter, rear cover, splitter, power shift, transmission control, splitter control
23	Automatic transmission	Troubleshooting, specifications, service standards, special tools, general, removal and installation of automatic transmission, oil seal and speedometer, automatic transmission control system, oil cooler, oil filter, replacement of oil and oil filter
25	Propeller shaft	Troubleshooting, specifications, service standards, special tools, general, propeller shaft, center bearing, universal joint
26	Front axle	Troubleshooting, specifications, service standards, special tools, general, front axle, kingpin, knuckle, wheel hub, brake drum
27	Rear axle	Troubleshooting, specifications, service standards, special tools, general, rear axle, reduction and differential, wheel hub, brake drum
31	Wheel and tire	Troubleshooting, specifications, service standards, general, tire, disc wheel
33	Front suspension	Troubleshooting, special tools, specifications, service standards, general, leaf springs, shock absorber
34	Rear suspension	Troubleshooting, special tools, specifications, service standards, general, leaf springs
35A	Brake (air over hydraulic brake)	Troubleshooting, specifications, service standards, special tools, general, service brake (dual brake valve, brake booster, wheel brake (wheel cylinder, brake drum, brake shoe)), exhaust brake (exhaust brake valve, control cylinder)
35B	Brake (full air brake)	Troubleshooting, specifications, service standards, special tools, general, service brake (dual brake valve, relay valve, quick release valve, slack adjuster, brake chamber, wheel brake (brake drum, brake shoe)), exhaust brake (exhaust brake valve, control cylinder)
36A	Parking brake (center parking brake)	Troubleshooting, special tools, specifications, service standards, general, parking brake, parking brake control
36B	Parking brake (wheel parking brake)	Troubleshooting, service standards, general, spring brake control valve, spring brake valve

## COMPILATION OF THIS MANUAL – GROUP CLASSIFICATION, DEFINITIONS OF TERMS AND UNITS USED

Group No.	Group Name	Contents
37	Steering	Troubleshooting, specifications, service standards, special tools, general, steering wheel, power steering booster, power steering oil pump, steering linkage, tie rod, steering shaft
41	Frame	Frame, rivet, inspection and correction
42	Cab	Troubleshooting, specifications, service standards, general, removal and installation of cab, cab mounting, door, seat, seat belt, floor mat, trim, instrument panel, windshield, rear window, front panel, wiper, rearview mirror
54	Chassis electrical	Troubleshooting, specifications, service standards, general, battery, fuses, fusible link, starter switch and cold starter switch, sub-starter switch, combination switch, lighting system, meter system, indicators and warming system, wiper and washer system, horn, back-up buzzer, radio and cassette stereo, cigarette lighter
55A	Air Conditioner	Air conditioner ventilation system
55B	Heater	Troubleshooting, specifications, heater, ventilation system

Page numbers start at "1" for each section.

### 2. DEFINITIONS OF TERMS AND UNITS USED

Terms and units used commonly throughout this manual have specific meanings, as defined below.

#### (1) Front and rear

When the vehicle is travelling forward, that part of the vehicle which is in a leading position is referred to as the front; the opposite end of the vehicle referred to as the rear, or back.

#### (2) Left and right

When an observer is facing in the same direction as the vehicle's forward direction of motion, the observer's right and left correspond to the right and left sides of the vehicle; i.e., that part of the car which is on the observer's right when facing forward is referred to as the right side of the car.

#### (3) Maintenance standards terms

- Norminal value

Indicates the design dimensions of the vehicle body and individual parts, the standard clearance between assembled parts, and the standard performance of assemblies. Values in brackets are basic diameters.

- Limit

Indicates the dimension limit of a part, at which point the part is no longer serviceable from the view point of both performance as well as strength, and requires replacement.

#### (4) Tightening torque

Tightening bolts and nuts too much or too little can have a large influence on performance and function.

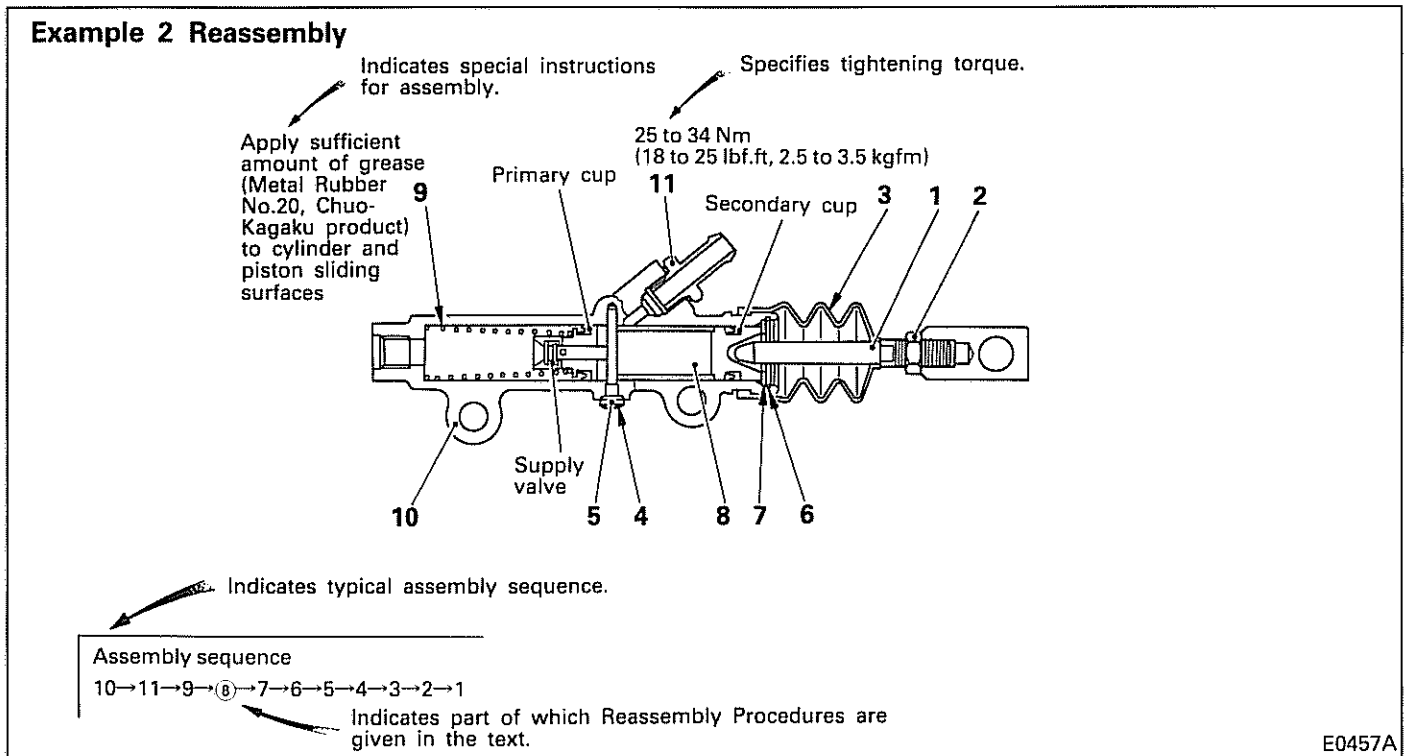
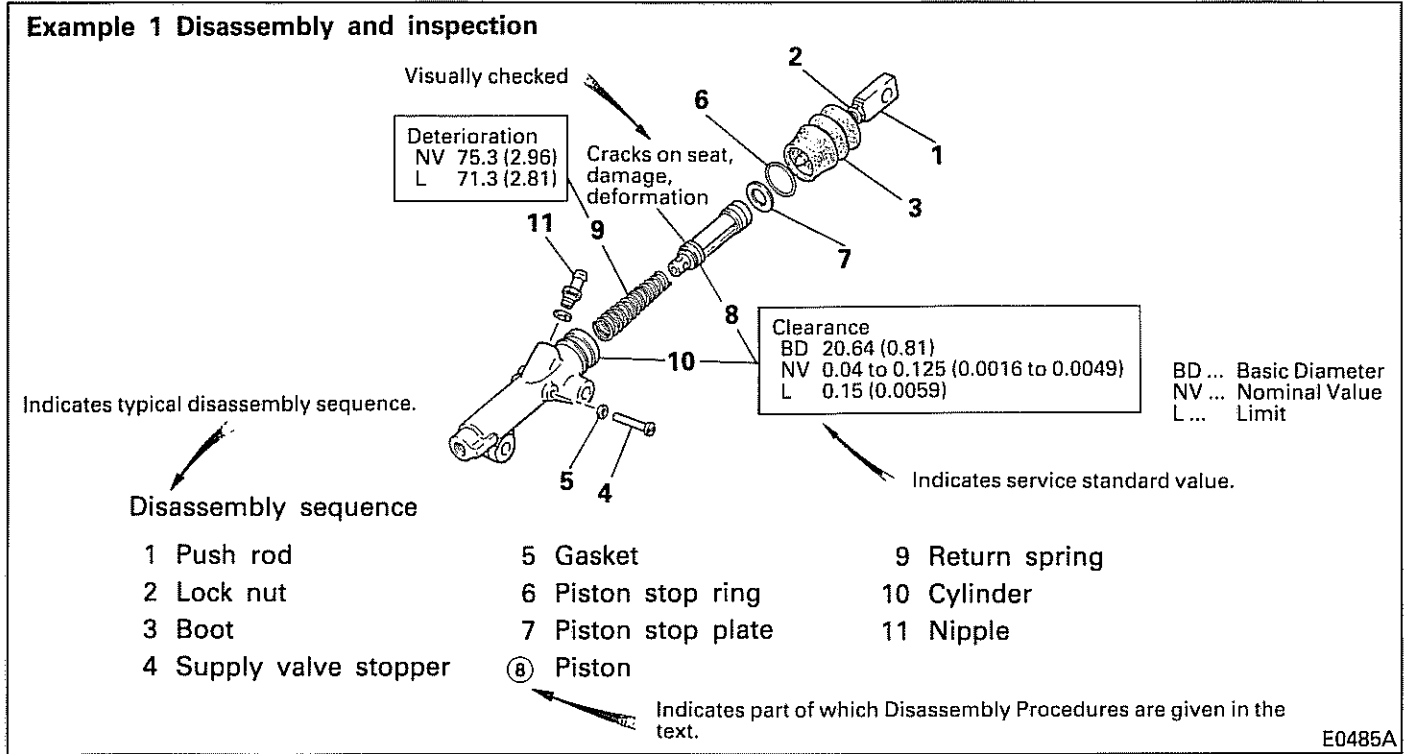
Thus, tightening torque is specified for each location that must be tightened in a particular range. When tightening must be performed under wet conditions, this is specified. If not specified, tightening is performed dry.

When tightening torque is not specified, tighten according to the standard bolts and nuts tightening torque table.

#### (5) Units

Length, weight, surface area and capacity are given in International Systems of Units, with foot pounds units indicated in brackets. Temperatures are given in degrees Celsius, with degrees in Fahrenheit in brackets.

3. NOTES ON ILLUSTRATIONS



**CAUTION**

1. The unit mm (in.) is omitted in the illustrations.

2. Only a typical equipment illustration is given regardless of availability of type variations if there is only one applicable service procedure.



# FK.FM

# Service Manual

Group 00  
General

 MITSUBISHI FUSO TRUCK OF AMERICA, Inc.

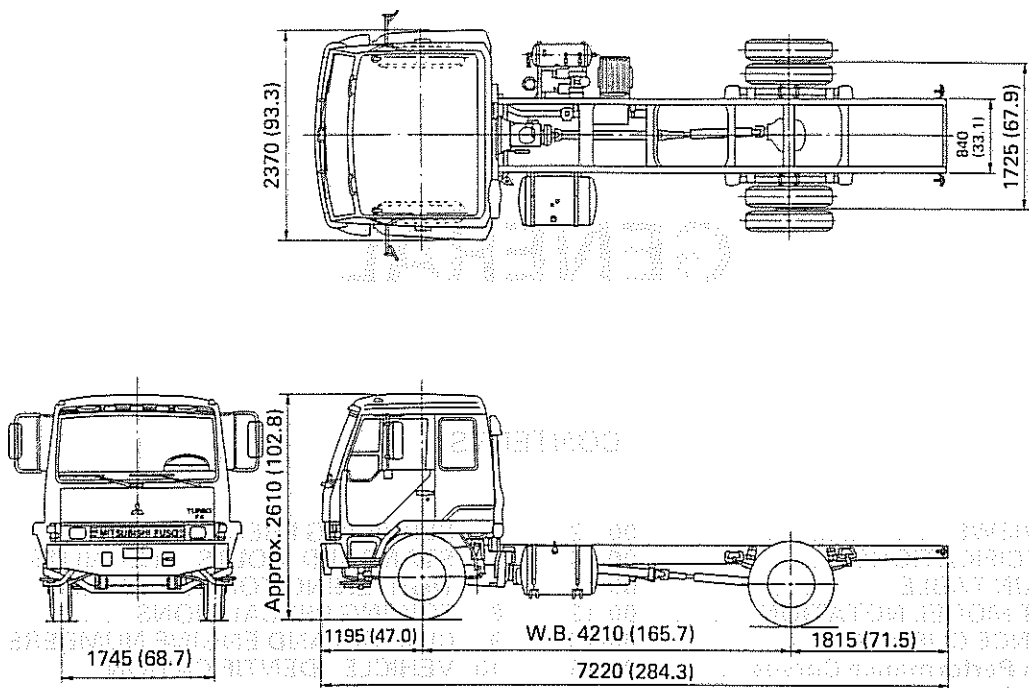
# GENERAL

## CONTENTS

1. EXTERIOR VIEWS .....	00- 2	6. SERVICING PRECAUTIONS .....	00-22
2. MAJOR SPECIFICATIONS .....	00- 4	7. STANDARD BOLTS AND NUTS TIGHTENING TORQUE TABLE .....	00-27
3. POWER TRAIN TABLE .....	00-11	8. TOWING PRECAUTIONS .....	00-28
4. EQUIPMENT MODEL NOTATION .....	00-12	9. CHASSIS AND ENGINE NUMBERS .....	00-28
5. PERFORMANCE CURVES .....	00-13	10. VEHICLE IDENTIFICATION NUMBER .....	00-29
5.1 Operation Performance Curves .....	00-13		
5.2 Engine Performance Curves .....	00-21		

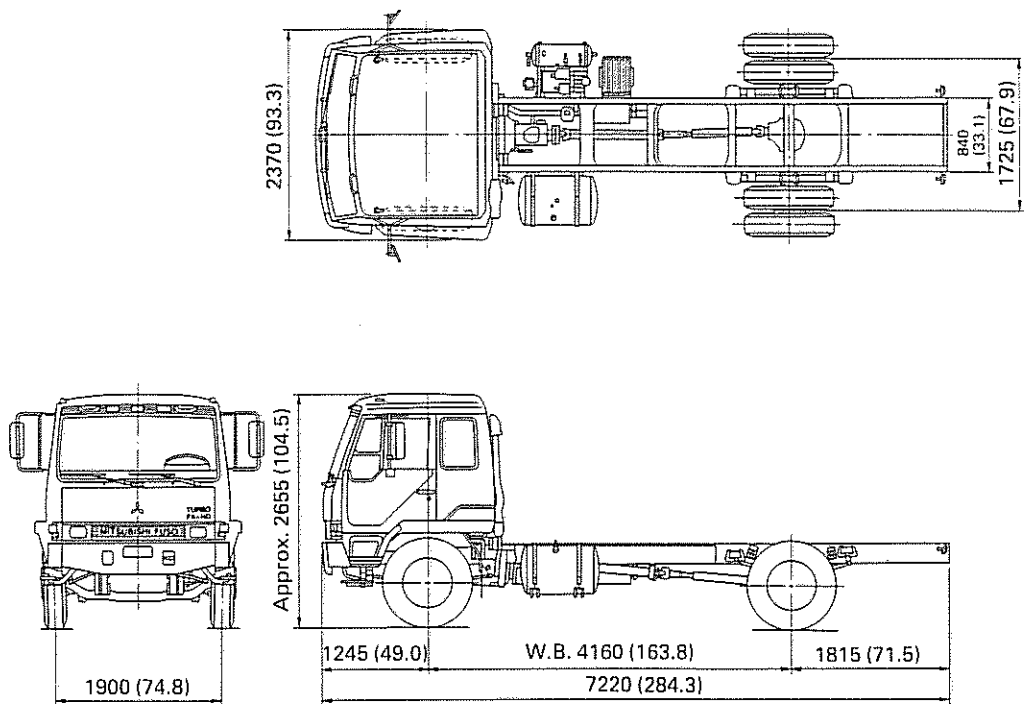
1. EXTERIOR VIEWS

FK415H



A0255A

FK455H

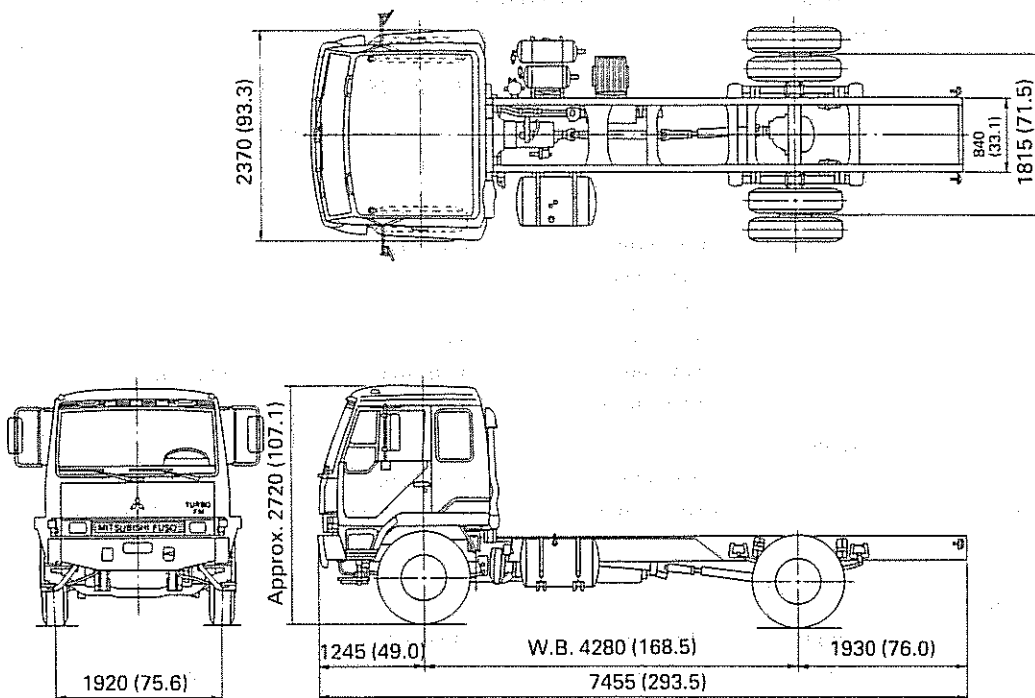


A0256A



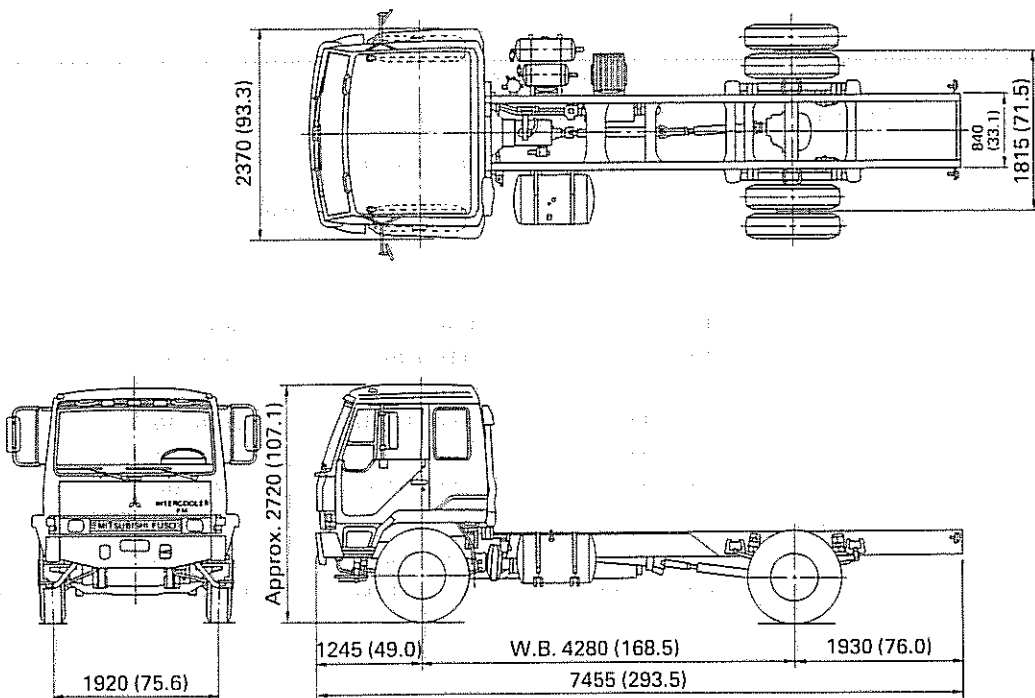
MITSUBISHI FUSO FM555H

FM555H



A0257A

FM557H



A0258A

## 2. MAJOR SPECIFICATIONS

Item	Model	FK415HLSLU		FK415HLSLUB			
		Transmission		M5S5		M4A4 (AT545)	
		Tire		8.25-20-12PR	9R22.5-12PR	8.25-20-12PR	9R22.5-12PR
Type	Forward control type						
Drive system	4 x 2						
Dimensions	mm (in.)						
Wheel base		4210 (165.7)	4210 (165.7)	4210 (165.7)	4210 (165.7)		
Overall length		7220 (284.3)	7220 (284.3)	7220 (284.3)	7220 (284.3)		
Overall width		2370 (93.3)	2370 (93.3)	2370 (93.3)	2370 (93.3)		
Overall height, approx.		2610 (102.8)	2600 (102.4)	2610 (102.8)	2600 (102.4)		
Tread, front		1745 (68.7)	1745 (68.7)	1745 (68.7)	1745 (68.7)		
rear		1725 (67.9)	1725 (67.9)	1725 (67.9)	1725 (67.9)		
Weights	kg (lbf)						
Vehicle weight		3595 (7925)	3595 (7925)	3635 (8015)	3635 (8015)		
Gross vehicle weight Max. GVW		10450 (23000)	10450 (23000)	10450 (23000)	10450 (23000)		
Seating capacity		2	2	2	2		
Performance (Computed)							
Max. speed	km/h (mph)	108 (67.1)	109 (67.7)	97 (60.3)	98 (60.9)		
Climbing ability with Max. GVW	(tan $\theta$ )	29.0	29.0	31.5	31.5		
Min. turning radius	m (ft.)	7.8 (25.6)	7.8 (25.6)	7.8 (25.6)	7.8 (25.6)		

Item	Model	FK415JLSLU		FK415JLSLUB			
		Transmission		M5S5		M4A4 (AT545)	
		Tire		8.25-20-12PR	9R22.5-12PR	8.25-20-12PR	9R22.5-12PR
Type	Forward control type						
Drive system	4 x 2						
Dimensions	mm (in.)						
Wheel base		4510 (177.6)	4510 (177.6)	4510 (177.6)	4510 (177.6)		
Overall length		7655 (301.4)	7655 (301.4)	7655 (301.4)	7655 (301.4)		
Overall width		2370 (93.3)	2370 (93.3)	2370 (93.3)	2370 (93.3)		
Overall height, approx.		2610 (102.8)	2600 (102.4)	2610 (102.8)	2600 (102.4)		
Tread, front		1745 (68.7)	1745 (68.7)	1745 (68.7)	1745 (68.7)		
rear		1725 (67.9)	1725 (67.9)	1725 (67.9)	1725 (67.9)		
Weights	kg (lbf)						
Vehicle weight		3610 (7960)	3610 (7960)	3650 (8045)	3650 (8045)		
Gross vehicle weight Max. GVW		10450 (23000)	10450 (23000)	10450 (23000)	10450 (23000)		
Seating capacity		2	2	2	2		
Performance (Computed)							
Max. speed	km/h (mph)	108 (67.1)	109 (67.7)	97 (60.3)	98 (60.9)		
Climbing ability with Max. GVW	(tan $\theta$ )	29.0	29.0	31.5	31.5		
Min. turning radius	m (ft.)	8.3 (27.7)	8.3 (27.7)	8.3 (27.7)	8.3 (27.7)		

# GENERAL – MAJOR SPECIFICATIONS

00

Item	Model	FK415KSLSU		FK415KSLSUB	
	Transmission	M5S5		M4A4 (AT545)	
	Tire	8.25-20-12PR	9R22.5-12PR	8.25-20-12PR	9R22.5-12PR
Type	Forward control type				
Drive system	4 x 2				
Dimensions	mm (in.)				
Wheel base		4810 (189.4)	4810 (189.4)	4810 (189.4)	4810 (189.4)
Overall length		8095 (318.7)	8095 (318.7)	8095 (318.7)	8095 (318.7)
Overall width		2370 (93.3)	2370 (93.3)	2370 (93.3)	2370 (93.3)
Overall height, approx.		2610 (102.8)	2600 (102.4)	2610 (102.8)	2600 (102.4)
Tread, front		1745 (68.7)	1745 (68.7)	1745 (68.7)	1745 (68.7)
rear		1725 (67.9)	1725 (67.9)	1725 (67.9)	1725 (67.9)
Weights	kg (lbf)				
Vehicle weight		3645 (8035)	3645 (8035)	3680 (8110)	3680 (8110)
Gross vehicle weight Max. GVW		10450 (23000)	10450 (23000)	10450 (23000)	10450 (23000)
Seating capacity		2	2	2	2
Performance (Computed)					
Max. speed	km/h (mph)	108 (67.1)	109 (67.7)	97 (60.3)	98 (60.9)
Climbing ability with Max. GVW	(tan θ)	29.0	29.0	31.5	31.5
Min. turning radius	m (ft.)	8.8 (28.9)	8.8 (28.9)	8.8 (28.9)	8.8 (28.9)

Item	Model	FK415LSLSU		FK415LSLSUB	
	Transmission	M5S5		M4A4 (AT545)	
	Tire	8.25-20-12PR	9R22.5-12PR	8.25-20-12PR	9R22.5-12PR
Type	Forward control type				
Drive system	4 x 2				
Dimensions	mm (in.)				
Wheel base		5150 (202.8)	5150 (202.8)	5150 (202.8)	5150 (202.8)
Overall length		8645 (340.4)	8645 (340.4)	8645 (340.4)	8645 (340.4)
Overall width		2370 (93.3)	2370 (93.3)	2370 (93.3)	2370 (93.3)
Overall height, approx.		2610 (102.8)	2600 (102.4)	2610 (102.8)	2600 (102.4)
Tread, front		1745 (68.7)	1745 (68.7)	1745 (68.7)	1745 (68.7)
rear		1725 (67.9)	1725 (67.9)	1725 (67.9)	1725 (67.9)
Weights	kg (lbf)				
Vehicle weight		3665 (8080)	3665 (8080)	3705 (8165)	3705 (8165)
Gross vehicle weight Max. GVW		10450 (23000)	10450 (23000)	10450 (23000)	10450 (23000)
Seating capacity		2	2	2	2
Performance (Computed)					
Max. speed	km/h (mph)	108 (67.1)	109 (67.7)	97 (60.3)	98 (60.9)
Climbing ability with Max. GVW	(tan θ)	29.0	29.0	31.5	31.5
Min. turning radius	m (ft.)	9.3 (30.5)	9.3 (30.5)	9.3 (30.5)	9.3 (30.5)

## GENERAL — MAJOR SPECIFICATIONS

Item	Model		FK455HLSLU		FK455JLSLU	
	Transmission		M6S5			
	Tire		10R22.5-12PR	11R22.5-14PR	10R22.5-12PR	11R22.5-14PR
Type	Forward control type					
Drive system	4 x 2					
Dimensions	mm (in.)					
Wheel base			4160 (163.8)	4160 (163.8)	4460 (175.6)	4460 (175.6)
Overall length			7220 (284.3)	7220 (284.3)	7655 (301.4)	7655 (301.4)
Overall width			2370 (93.3)	2370 (93.3)	2370 (93.3)	2370 (93.3)
Overall height, approx.			2655 (104.5)	2690 (105.9)	2655 (104.5)	2690 (105.9)
Tread, front			1900 (74.8)	1880 (74.0)	1900 (74.8)	1880 (74.0)
rear			1725 (67.9)	1755 (69.1)	1725 (67.9)	1755 (69.1)
Weights	kg (lbf)					
Vehicle weight			3870 (8530)	3915 (8630)	3890 (8575)	3930 (8665)
Gross vehicle weight Max. GVW			12700 (28000)	12700 (28000)	12700 (28000)	12700 (28000)
Seating capacity			2	2	2	2
Performance (Computed)						
Max. speed	km/h (mph)		114 (70.8)	118 (73.3)	114 (70.8)	118 (73.3)
Climbing ability with Max. GVW	(tan $\theta$ )		27.5	26.5	27.5	26.5
Min. turning radius	m (ft.)		7.0 (23.0)	7.7 (25.3)	7.4 (24.3)	8.2 (26.9)

Item	Model		FK455KLSLU		FK455LSLSU	
	Transmission		M6S5			
	Tire		10R22.5-12PR	11R22.5-14PR	10R22.5-12PR	11R22.5-14PR
Type	Forward control type					
Drive system	4 x 2					
Dimensions	mm (in.)					
Wheel base			4760 (187.4)	4760 (187.4)	5200 (204.7)	5200 (204.7)
Overall length			8095 (318.7)	8095 (318.7)	8705 (342.7)	8705 (342.7)
Overall width			2370 (93.3)	2370 (93.3)	2370 (93.3)	2370 (93.3)
Overall height, approx.			2655 (104.5)	2690 (105.9)	2655 (104.5)	2690 (105.9)
Tread, front			1900 (74.8)	1880 (74.0)	1900 (74.8)	1880 (74.0)
rear			1725 (67.9)	1755 (69.1)	1725 (67.9)	1755 (69.1)
Weights	kg (lbf)					
Vehicle weight			3905 (8610)	3950 (8710)	3980 (8775)	4020 (8860)
Gross vehicle weight Max. GVW			12700 (28000)	12700 (28000)	12700 (28000)	12700 (28000)
Seating capacity			2	2	2	2
Performance (Computed)						
Max. speed	km/h (mph)		114 (70.8)	118 (73.3)	114 (70.8)	118 (73.3)
Climbing ability with Max. GVW	(tan $\theta$ )		27.5	26.5	27.5	26.5
Min. turning radius	m (ft.)		7.9 (25.9)	8.7 (28.5)	8.5 (27.5)	9.4 (30.8)

# GENERAL – MAJOR SPECIFICATIONS

00

Item	Model	FK455MSLSU		FM555FSLSU	FM555FSLSUA
	Transmission	M6S5		M6S5	M8S2x5
	Tire	10R22.5-12PR	11R22.5-14PR	11R22.5-14PR	
Type	Forward control type				
Drive system	4 x 2				
Dimensions	mm (in.)				
Wheel base		5550 (218.5)	5550 (218.5)	3680 (144.9)	3680 (144.9)
Overall length		9325 (367.1)	9325 (367.1)	6625 (260.8)	6625 (260.8)
Overall width		2370 (93.3)	2370 (93.3)	2410 (94.9)	2410 (94.9)
Overall height, approx.		2655 (104.5)	2690 (105.9)	2725 (107.3)	2720 (107.1)
Tread, front		1900 (74.8)	1880 (74.0)	1920 (75.6)	1920 (75.6)
rear		1725 (67.9)	1755 (69.1)	1815 (71.5)	1815 (71.5)
Weights	kg (lbf)				
Vehicle weight		4035 (8895)	4075 (8985)	4420 (9745)	4585 (10110)
Gross vehicle weight Max. GVW		12700 (28000)	12700 (28000)	14800 (32600)	14800 (32600)
Seating capacity		2	2	2	2
Performance (Computed)					
Max. speed	km/h (mph)	114 (70.8)	118 (73.3)	103 (64.0)	111 (69.0)
Climbing ability with Max. GVW	(tan $\theta$ )	27.5	26.5	26.0	35.0
Min. turning radius	m (ft.)	9.0 (29.5)	10.0 (32.8)	6.8 (22.3)	6.8 (22.3)

Item	Model	FM555HLSLU	FM555HLSLUA	FM555JLSLU	FM555JLSLUA
	Transmission	M6S5	M8S2x5	M6S5	M8S2x5
	Tire	11R22.5-14PR			
Type	Forward control type				
Drive system	4 x 2				
Dimensions	mm (in.)				
Wheel base		4280 (168.5)	4280 (168.5)	4620 (181.9)	4620 (181.9)
Overall length		7455 (293.5)	7455 (293.5)	7945 (312.8)	7945 (312.8)
Overall width		2410 (94.9)	2410 (94.9)	2410 (94.9)	2410 (94.9)
Overall height, approx.		2725 (107.3)	2720 (107.1)	2725 (107.3)	2720 (107.1)
Tread, front		1920 (75.6)	1920 (75.6)	1920 (75.6)	1920 (75.6)
rear		1815 (71.5)	1815 (71.5)	1815 (71.5)	1815 (71.5)
Weights	kg (lbf)				
Vehicle weight		4485 (9885)	4660 (10275)	4515 (9955)	4695 (10350)
Gross vehicle weight Max. GVW		14800 (32600)	14800 (32600)	14800 (32600)	14800 (32600)
Seating capacity		2	2	2	2
Performance (Computed)					
Max. speed	km/h (mph)	103 (64.0)	111 (69.0)	103 (64.0)	111 (69.0)
Climbing ability with Max. GVW	(tan $\theta$ )	26.0	35.0	26.0	35.0
Min. turning radius	m (ft.)	7.7 (25.3)	7.7 (25.3)	8.3 (27.2)	8.3 (27.2)

## GENERAL — MAJOR SPECIFICATIONS

Item	Model		FM555LSLSU	FM555LSLSUA	FM555MSLSU	FM555MSLSUA
	Transmission		M6S5	M8S2x5	M6S5	M8S2x5
	Tire		11R22.5-14PR			
Type	Forward control type					
Drive system	4 x 2					
Dimensions	mm (in.)					
Wheel base			5080 (200.0)	5080 (200.0)	5550 (218.5)	5550 (218.5)
Overall length			8625 (339.6)	8625 (339.6)	9325 (367.1)	9325 (367.1)
Overall width			2410 (94.9)	2410 (94.9)	2410 (94.9)	2410 (94.9)
Overall height, approx.			2725 (107.3)	2720 (107.1)	2725 (107.3)	2720 (107.1)
Tread, front			1920 (75.6)	1920 (75.6)	1920 (75.6)	1920 (75.6)
rear			1815 (71.5)	1815 (71.5)	1815 (71.5)	1815 (71.5)
Weights	kg (lbf)					
Vehicle weight			4585 (10110)	4750 (10475)	4615 (10175)	4790 (10560)
Gross vehicle weight Max. GVW			14800 (32600)	14800 (32600)	14800 (32600)	14800 (32600)
Seating capacity			2	2	2	2
Performance (Computed)						
Max. speed	km/h (mph)		103 (64.0)	111 (69.0)	103 (64.0)	111 (69.0)
Climbing ability with Max. GVW	(tan $\theta$ )		26.0	35.0	26.0	35.0
Min. turning radius	m (ft.)		9.0 (29.5)	9.0 (29.5)	9.8 (32.2)	9.8 (32.2)

Item	Model		FM557FSLSU	FM557FSL SUA	FM557HLSU	FM557HLSUA
	Transmission		M8S5	M8S2x5	M8S5	M8S2x5
	Tire		11R22.5-14PR			
Type	Forward control type					
Drive system	4 x 2					
Dimensions	mm (in.)					
Wheel base			3680 (144.9)	3680 (144.9)	4280 (168.5)	4280 (168.5)
Overall length			6625 (260.8)	6625 (260.8)	7455 (293.5)	7455 (293.5)
Overall width			2410 (94.9)	2410 (94.9)	2410 (94.9)	2410 (94.9)
Overall height, approx.			2720 (107.1)	2720 (107.1)	2720 (107.1)	2720 (107.1)
Tread, front			1920 (75.6)	1920 (75.6)	1920 (75.6)	1920 (75.6)
rear			1815 (71.5)	1815 (71.5)	1815 (71.5)	1815 (71.5)
Weights	kg (lbf)					
Vehicle weight			4585 (10110)	4660 (10275)	4650 (10250)	4720 (10405)
Gross vehicle weight Max. GVW			14800 (32600)	14800 (32600)	14800 (32600)	14800 (32600)
Seating capacity			2	2	2	2
Performance (Computed)						
Max. speed	km/h (mph)		108 (67.1)	120 (74.6)	108 (67.1)	120 (74.6)
Climbing ability with Max. GVW	(tan $\theta$ )		30.0	36.0	30.0	36.0
Min. turning radius	m (ft.)		6.8 (22.3)	6.8 (22.3)	7.7 (25.3)	7.7 (25.3)

GENERAL – MAJOR SPECIFICATIONS

00

Model	FM557JSLSU	FM557JSLSUA	FM557LSLSU	
Transmission	M8S5	M8S2x5	M8S5	
Tire	11R22.5-14PR			
Type	Forward control type			
Drive system	4 x 2			
Dimensions	mm (in.)			
Wheel base	4620 (181.9)	4620 (181.9)	5080 (200.0)	
Overall length	7945 (312.8)	7945 (312.8)	8625 (339.6)	
Overall width	2410 (94.9)	2410 (94.9)	2410 (94.9)	
Overall height, approx.	2720 (107.1)	2725 (107.3)	2720 (107.1)	
Tread, front	1920 (75.6)	1920 (75.6)	1920 (75.6)	
rear	1815 (71.5)	1815 (71.5)	1815 (71.5)	
Weights	kg (lbf)			
Vehicle weight	4685 (10330)	4755 (10485)	4750 (10475)	
Gross vehicle weight Max. GVW	14800 (32600)	14800 (32600)	14800 (32600)	
Seating capacity	2	2	2	
Performance (Computed)				
Max. speed	km/h (mph)	108 (67.1)	120 (74.6)	108 (67.1)
Climbing ability with Max. GVW	(tan $\theta$ )	30.0	36.0	30.0
Min. turning radius	m (ft.)	8.3 (27.2)	8.3 (27.2)	9.0 (29.5)

Model	FM557LSLSUA	FM557MSLSU	FM557MSLSUA	
Transmission	M8S2x5	M8S5	M8S2x5	
Tire	11R22.5-14PR			
Type	Forward control type			
Drive system	4 x 2			
Dimensions	mm (in.)			
Wheel base	5080 (200.0)	5550 (218.5)	5550 (218.5)	
Overall length	8625 (339.6)	9325 (367.1)	9325 (367.1)	
Overall width	2410 (94.9)	2410 (94.9)	2410 (94.9)	
Overall height, approx.	2720 (107.1)	2720 (107.1)	2720 (107.1)	
Tread, front	1920 (75.6)	1920 (75.6)	1920 (75.6)	
rear	1815 (71.5)	1815 (71.5)	1815 (71.5)	
Weights	kg (lbf)			
Vehicle weight	4820 (10625)	4780 (10535)	4850 (10690)	
Gross vehicle weight Max. GVW	14800 (32600)	14800 (32600)	14800 (32600)	
Seating capacity	2	2	2	
Performance (Computed)				
Max. speed	km/h (mph)	120 (74.6)	108 (67.1)	120 (74.6)
Climbing ability with Max. GVW	(tan $\theta$ )	36.0	30.0	36.0
Min. turning radius	m (ft.)	9.0 (29.5)	9.8 (32.2)	9.8 (32.2)

## GENERAL — MAJOR SPECIFICATIONS

\*: Option

Item	Model		FK415		FK455	FM555		FM557		
	M5S5	M4A4 (AT545)	M5S5	M4A4 (AT545)		M6S5	M8S2x5	M8S5	M8S2x5	
Rear axle	R4T				R6T					
Reduction (Gear ratio)	All-floating type								Single reduction, hypoid gear	
	D4H (4.875)	D4H (5.428)	D4H (4.857)	D8H (5.571)	D8H (5.142)	D8H (5.142)	D8H (4.625)			
Tire and wheel										
Tire size	8.25-20-12PR *9R22.5-12PR		10R22.5-12PR *11R22.5-14PR		11R22.5-14PR					
Wheel size	7.00T×20-152 *6.75×22.5-152		6.75×22.5-152 *7.50×22.5-162		7.50×22.5-162					
Front suspension	Laminated leaf springs with shock absorber									
Rear suspension	Laminated leaf springs									
Brakes	Air over hydraulic with dual circuit				Full air, dual circuit, fixed "S" cam with maxi-chambers on rear wheels					
Main brake	Internal expanding type on propeller shaft				Spring loaded type on rear wheels by pushpull type control valve					
Parking brake	Exhaust brake (except vehicles with automatic transmission)									
Auxiliary brake										
Steering	Left hand steering Ball nut type with integral type hydraulic power booster Telescopic and tilt steering column with steering lock									
Frame	Parallel, tapered channel section type with cross-member and stiffeners			Parallel, tapered channel section type with crossmembers, stiffeners and outer reinforcements						
Cab	All-steel, tilt cab									
Chassis electrical	12-volt, negative-ground type									
Heater and air-conditioner	Combined inside and outside air, hot water system (option: air conditioner)									
Engine	6D14T2		6D14T			6D16T2				
	4 stroke-cycle water cooled direct injection turbo charged diesel engine									
Maximum output (SAE, Gross) hp/rpm	170/2900		185/2900			220/2700				
Maximum torque (SAE, Gross) lbf.ft/rpm	333/1600		408/1600			470/1400				
Clutch	C5M33		C6M35			C7M38				
	Hydraulic control, coil spring type, single dry plate		Hydraulic control, coil spring type, single dry plate			Hydraulic control, coil spring type, single dry plate with air pressure assistance		Hydraulic control, coil spring type, single dry plate with air pressure assistance		
Torque converter (Stall torque ratio)	-		TC275 (1.96)			-		-		



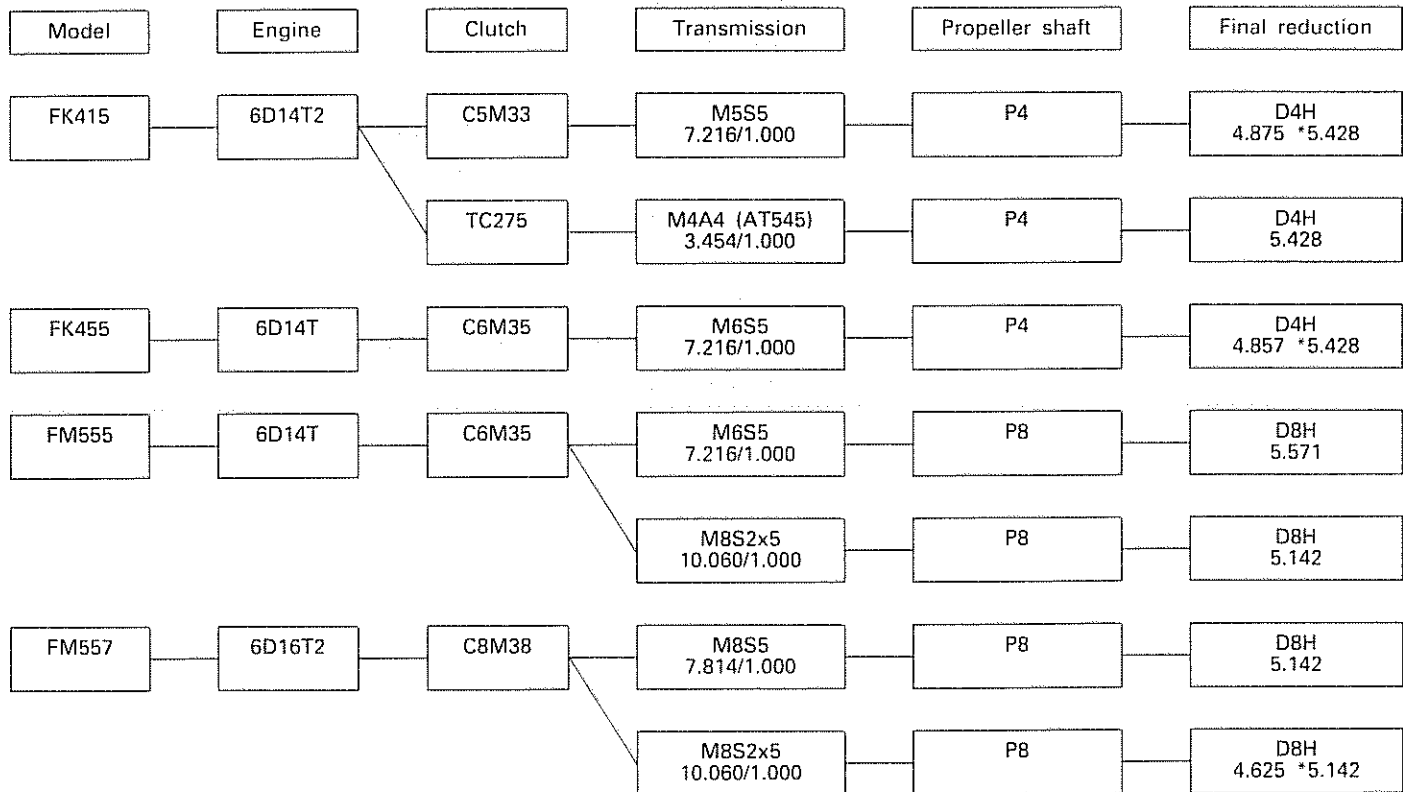
GENERAL – MAJOR SPECIFICATIONS, POWER TRAIN TABLE



Item	FK415		FK455	FM555		FM557	
	M5S5	M4A4 (AT545)		M6S5	M8S2x5	M8S5	M8S2x5
Transmission (Gear ratio: 1st/Rev.)	M5S5 (7.216/1.000) 5 forward and 1 reverse speed 2nd to 5th: Synchronmesh gears 1st and reverse: Constantmesh gears	ALLISON AT545 (3.454/1.000) 4 forward and 1 reverse speed Automatic type	M6S5 (7.216/1.000) 5 forward and 1 reverse speed 2nd to 5th: Synchronmesh gears 1st and reverse: Constantmesh gears	M8S2x5 (10.060/1.000) 10 forward and 2 reverse speed with air operated shift cylinder for splitter High-Low splitter: Synchronmesh gears 2nd to 5th range: Synchronmesh gears 1st and reverse range: Constantmesh gears	M8S5 (7.814/1.000) 5 forward and 1 reverse speed 2nd to 5th: Synchronmesh gears 1st and reverse: Constantmesh gears	M8S2x5 (10.060/1.000) 10 forward and 2 reverse speed with air operated shift cylinder for splitter High-Low splitter: Synchronmesh gears 2nd to 5th range: Synchronmesh gears 1st and reverse range: Constantmesh gears	
Control system	Floor change, remote control type			Floor change, remote control type with power shift			
Propeller shaft	P4 Universal joint with center bearing			P8			
Front axle	F4T		F6T Reverse Elliot, "I" beam				

3. POWER TRAIN TABLE

\*: Option



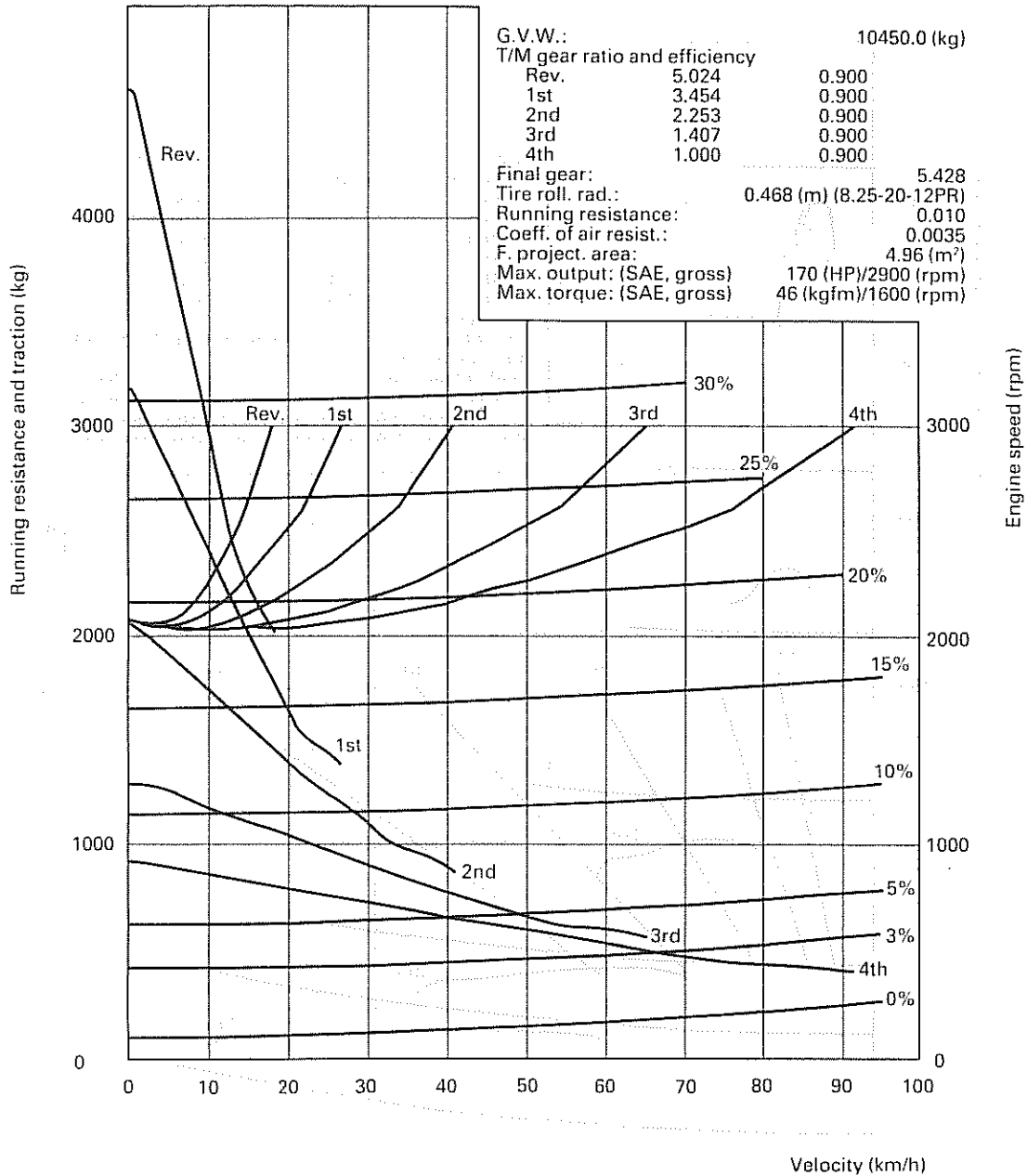
## 4. EQUIPMENT MODEL NOTATION

Equipment name	Model notation	Explanation
Engine	6 D 14 T	<p>With turbocharger</p> <p>Version number</p> <p>Diesel engine</p> <p>No. of cylinders (6: Six cylinders)</p>
Clutch	C 5 M 33	<p>Disc O.D. (in cm)</p> <p>Facing material (M: Ceramic metal)</p> <p>Typical tonnage of model in which the clutch is installed</p> <p>Stands for clutch</p>
Transmission	M 5 S 5	<p>No. of forward speeds (2 x 5 for one with splitter)</p> <p>Meshing (S: Synchronesh, A: Automatic)</p> <p>Typical tonnage of model in which the transmission is installed</p> <p>Stands for transmission</p>
Propeller shaft	P 4	<p>Typical tonnage of model in which the transmission is installed</p> <p>Stands for propeller shaft</p>
Front axle	F 4 T	<p>Identification of type of vehicle (T: Truck)</p> <p>Typical tonnage of model in which it is installed</p> <p>Stands for front axle</p>
Rear axle	R 4 T	<p>Identification of type of vehicle (T: Truck)</p> <p>Typical tonnage of model in which it is installed</p> <p>Stands for rear axle</p>
Reduction and differential	D 4 H	<p>Tooth shape (H: Hypoid gear)</p> <p>Typical tonnage of model in which it is installed</p> <p>Stands for reduction and differential</p>



GENERAL — PERFORMANCE CURVES

FK415 <M4A4 (AT545)>



A0260A