

ENGINE

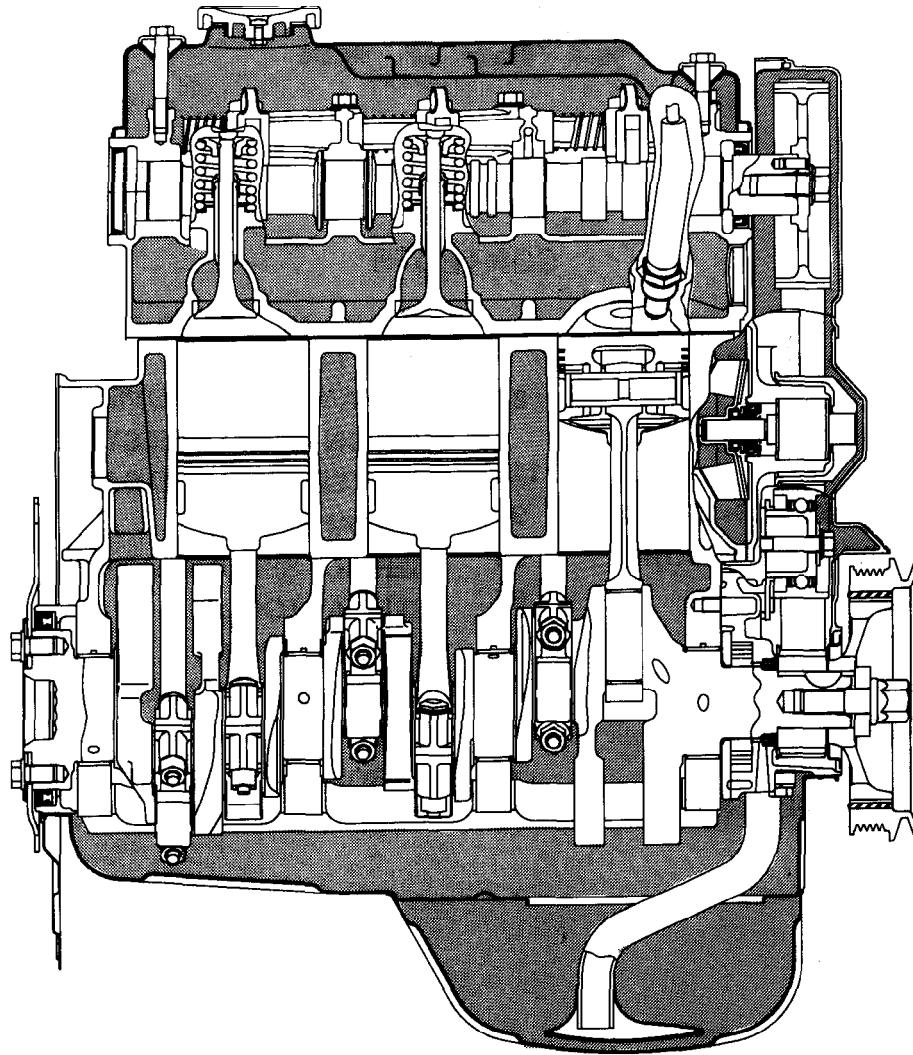
6G72

CONTENTS

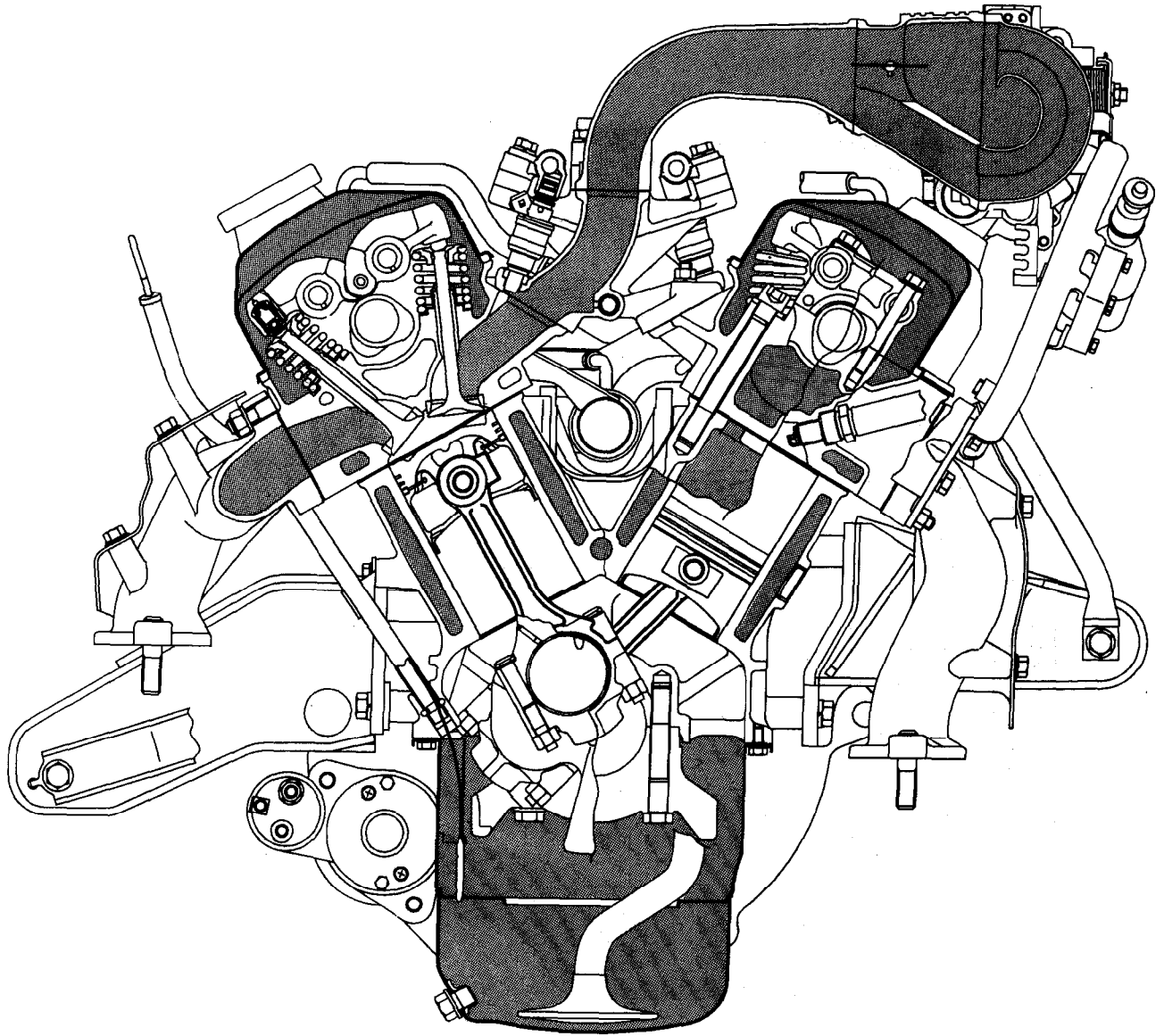
BRACKET	122	INTAKE MANIFOLD PLENUM AND THROTTLE BODY	32
CAMSHAFT, ROCKER ARMS AND BEARING CAPS	87	OIL PAN AND OIL PUMP	102
CRANKSHAFT, FLYWHEEL AND DRIVE PLATE	115	PISTON AND CONNECTING ROD	108
CYLINDER HEAD AND VALVES – SOHC	91	ROCKER ARMS AND CAMSHAFTS	77
CYLINDER HEAD AND VALVES – DOHC	98	SEALANT	23
EXHAUST MANIFOLD	67	SERVICE SPECIFICATIONS	14
GENERAL INFORMATION	2	SPECIAL TOOLS	24
GENERAL SPECIFICATIONS	12	THROTTLE BODY.....†	37
GENERATOR AND DRIVE BELT	27	TIMING BELT – SOHC	48
IGNITION SYSTEM	44	TIMING BELT- DOHC	54
INTAKE MANIFOLD AND FUEL PARTS	62	TORQUE SPECIFICATIONS	19
		TURBOCHARGER	75

GENERAL INFORMATION

SECTIONAL VIEW – SOHC ENGINE for DIAMANTE

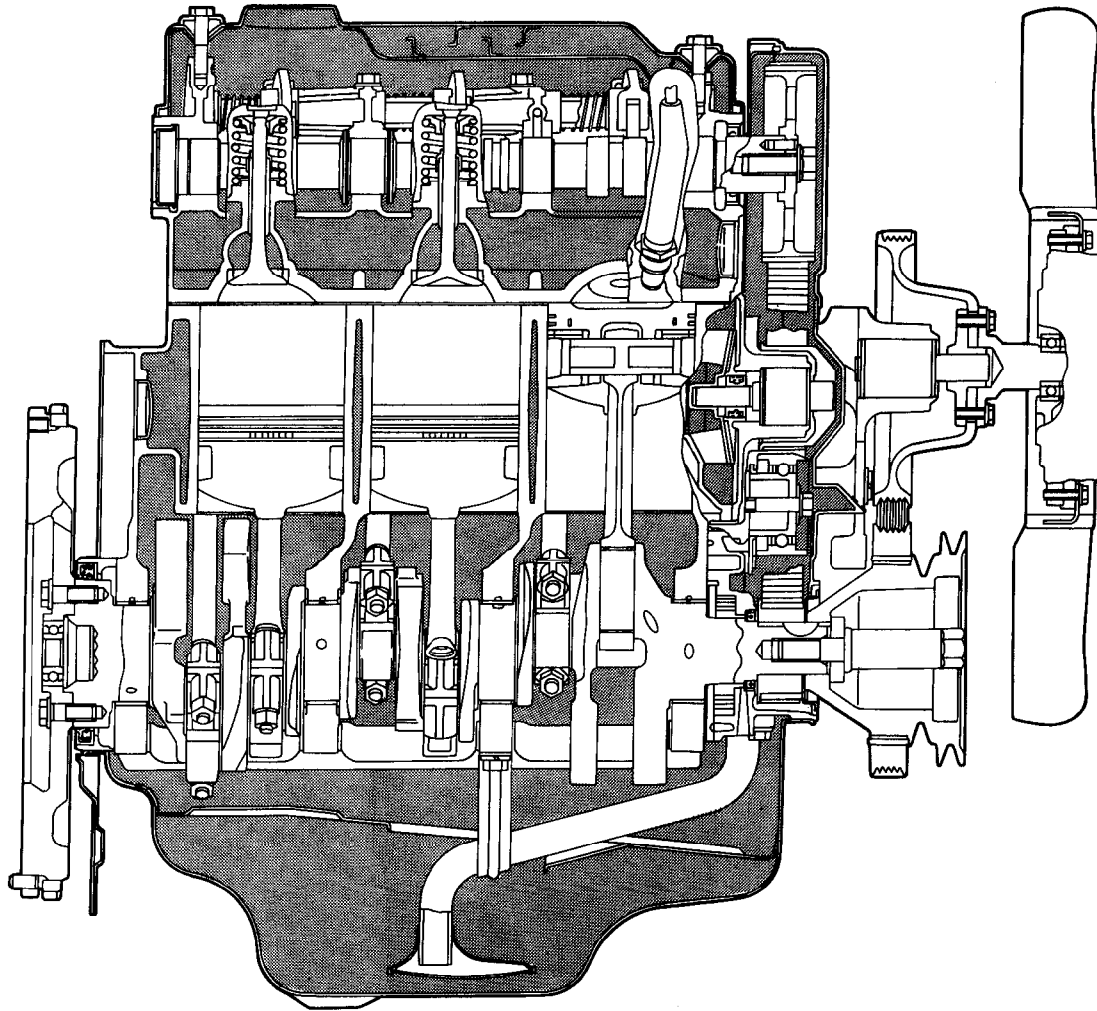


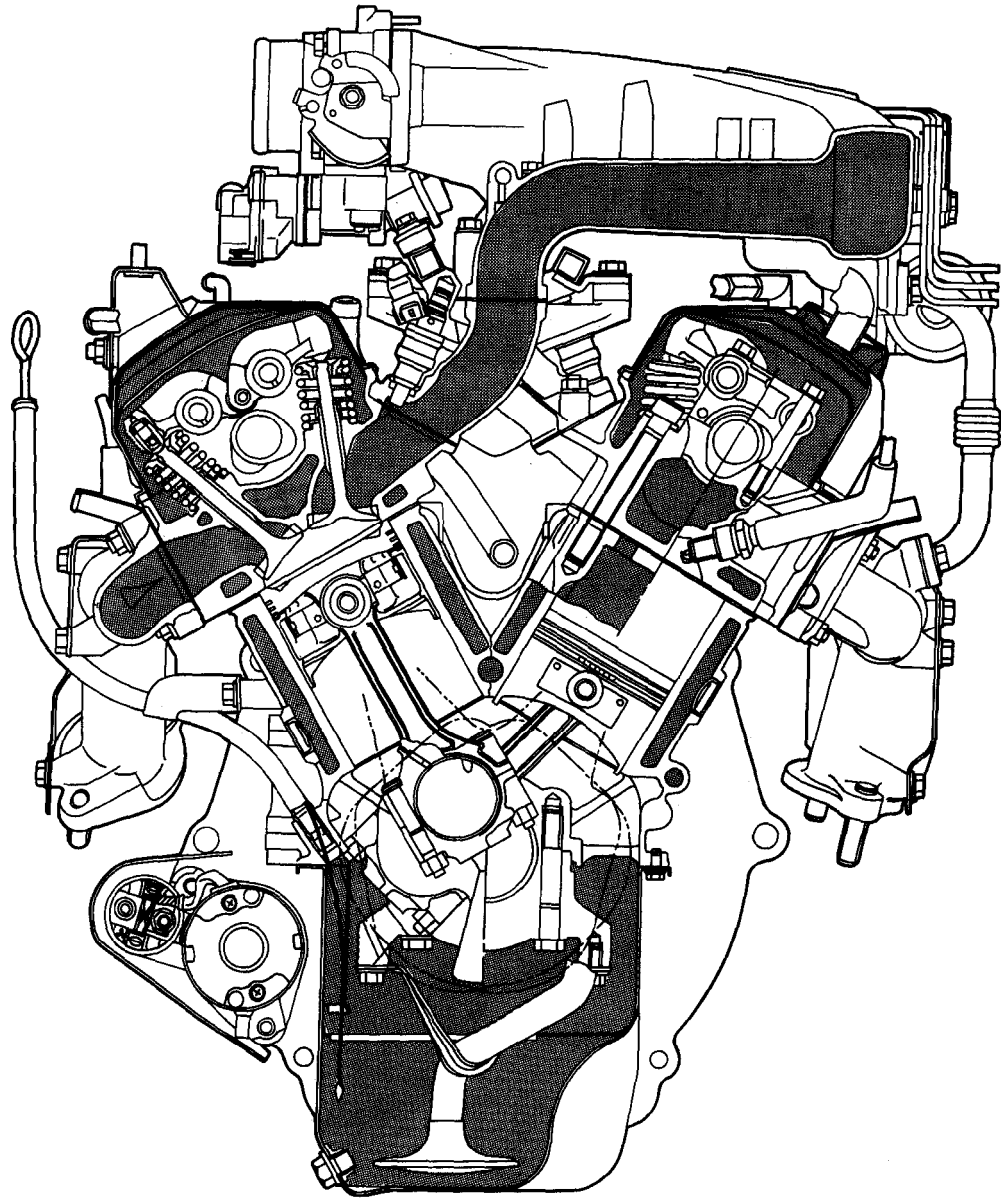
www.toyota.com



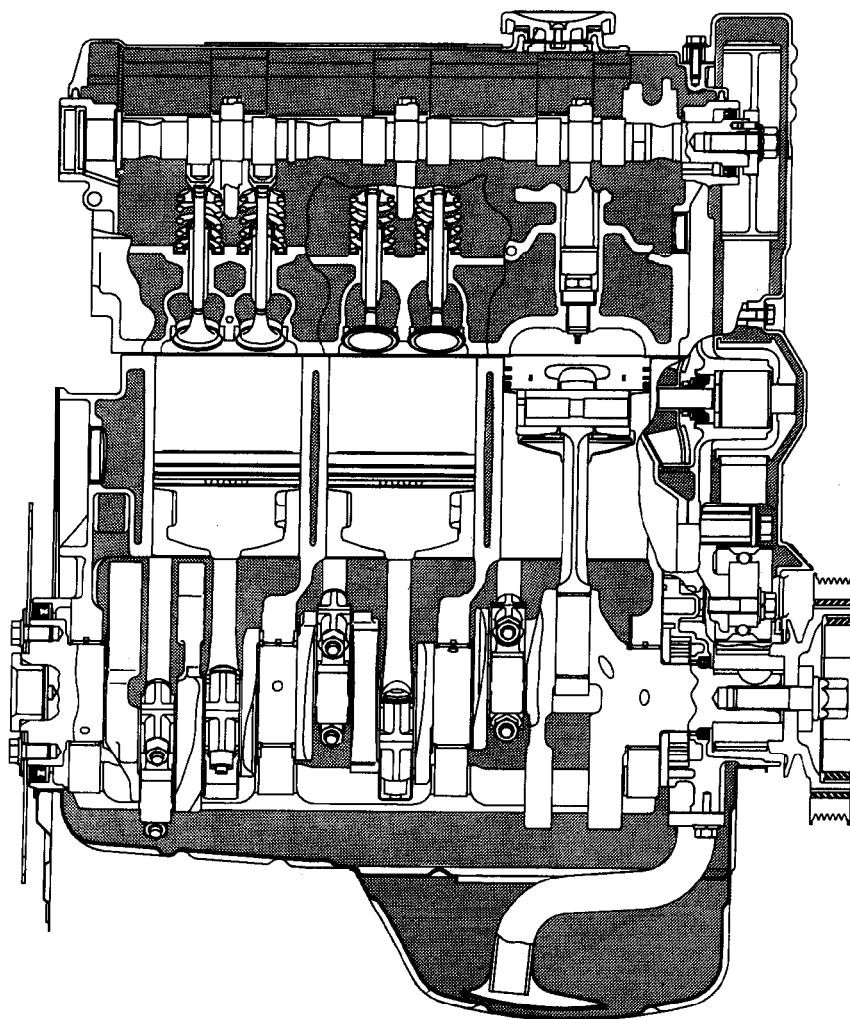
7EN0324

SECTIONAL VIEW – SOHC ENGINE for MONTERO AND TRUCK



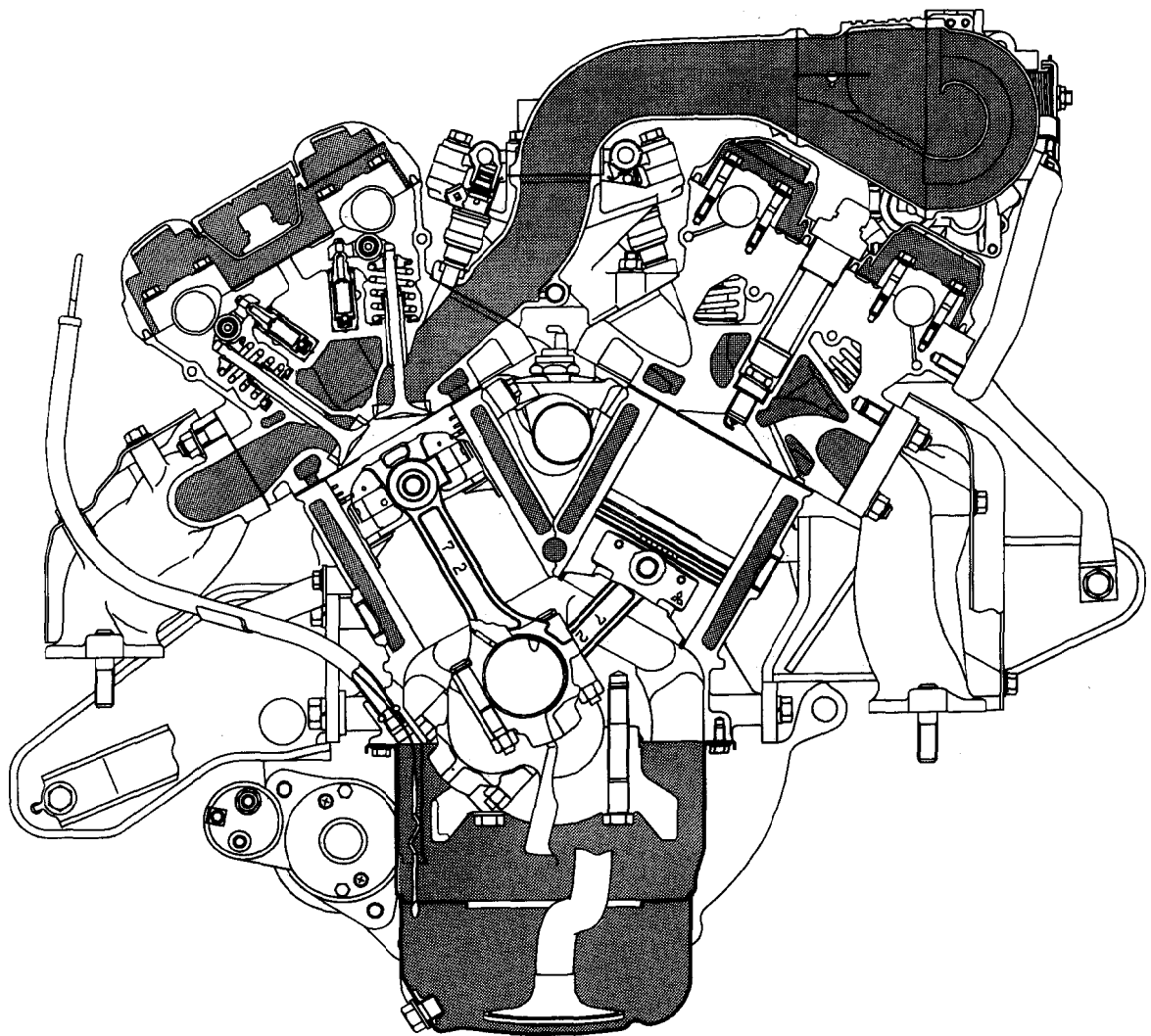


SECTIONAL VIEW – DOHC NON-TURBO ENGINE

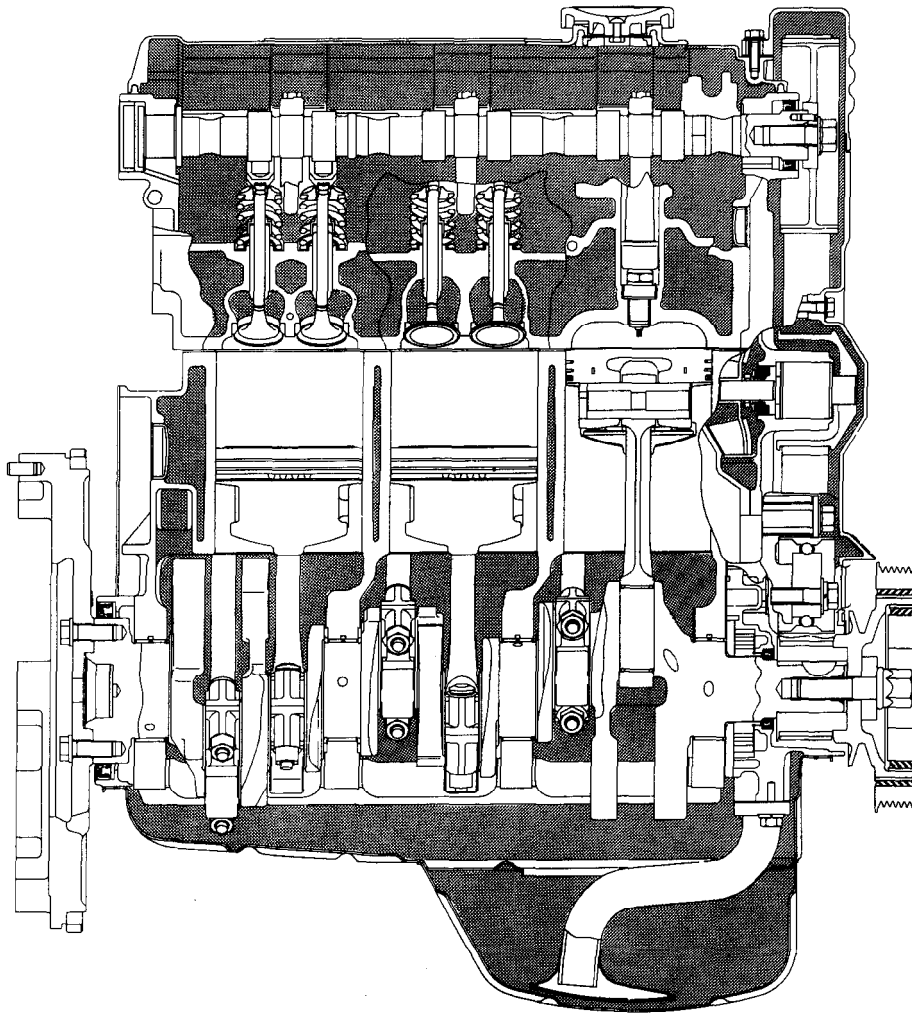


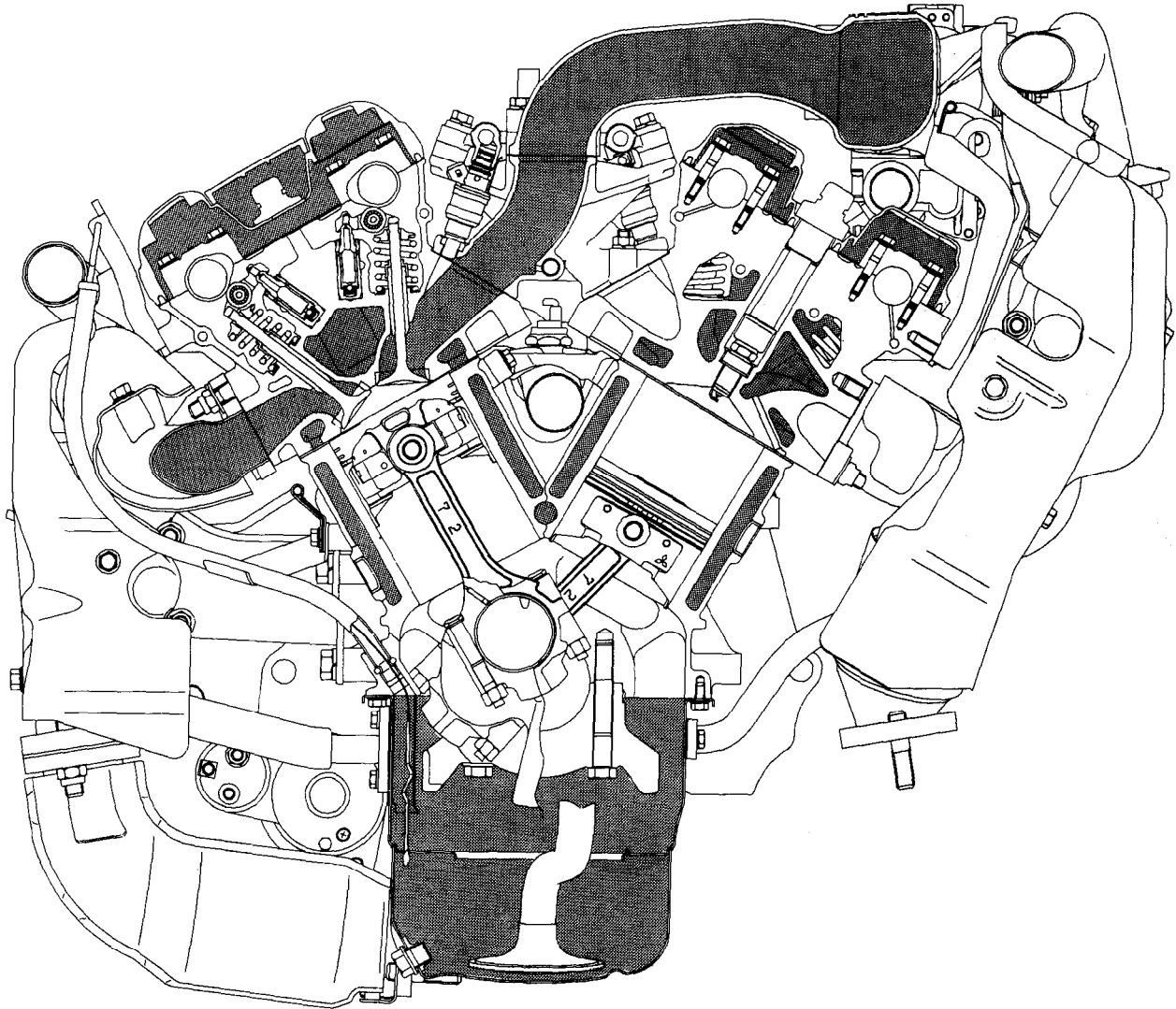
TSB Revision

5. W011389



SECTIONAL VIEW – DOHC TURBO ENGINE





LUBRICATION SYSTEM - SOHC

