

ENGINE

4D56

<1991 to 1993>

CONTENTS

GENERAL INFORMATION	11A- 0-3
1. SPECIFICATIONS	11A- 1-1
GENERAL SPECIFICATIONS	11A- 1-1
SERVICE SPECIFICATIONS	11A- 1-2
TORQUE SPECIFICATIONS	11A- 1-6
SEALANT	11A- 1-7
2. SPECIAL TOOLS	11A- 2-1
3. DRIVE BELT AND TIMING BELT	11A- 3-1
4. INTAKE AND EXHAUST MANIFOLDS	11A- 4-1
5. TURBOCHARGER	11A- 5-1
6. WATER PUMP, THERMOSTAT, HOSE AND PIPE	11A- 6-1
7. ROCKER ARMS, ROCKER SHAFT AND CAMSHAFT	11A- 7-1
8. CYLINDER HEAD, VALVES AND VALVE SPRING	11A- 8-1
9. FRONT CASE, SILENT SHAFT AND OIL PAN	11A- 9-1
10. PISTON AND CONNECTING ROD	11A-10-1
11. CRANKSHAFT, FLYWHEEL AND DRIVE PLATE	11A-11-1
12. CYLINDER BLOCK	11A-12-1

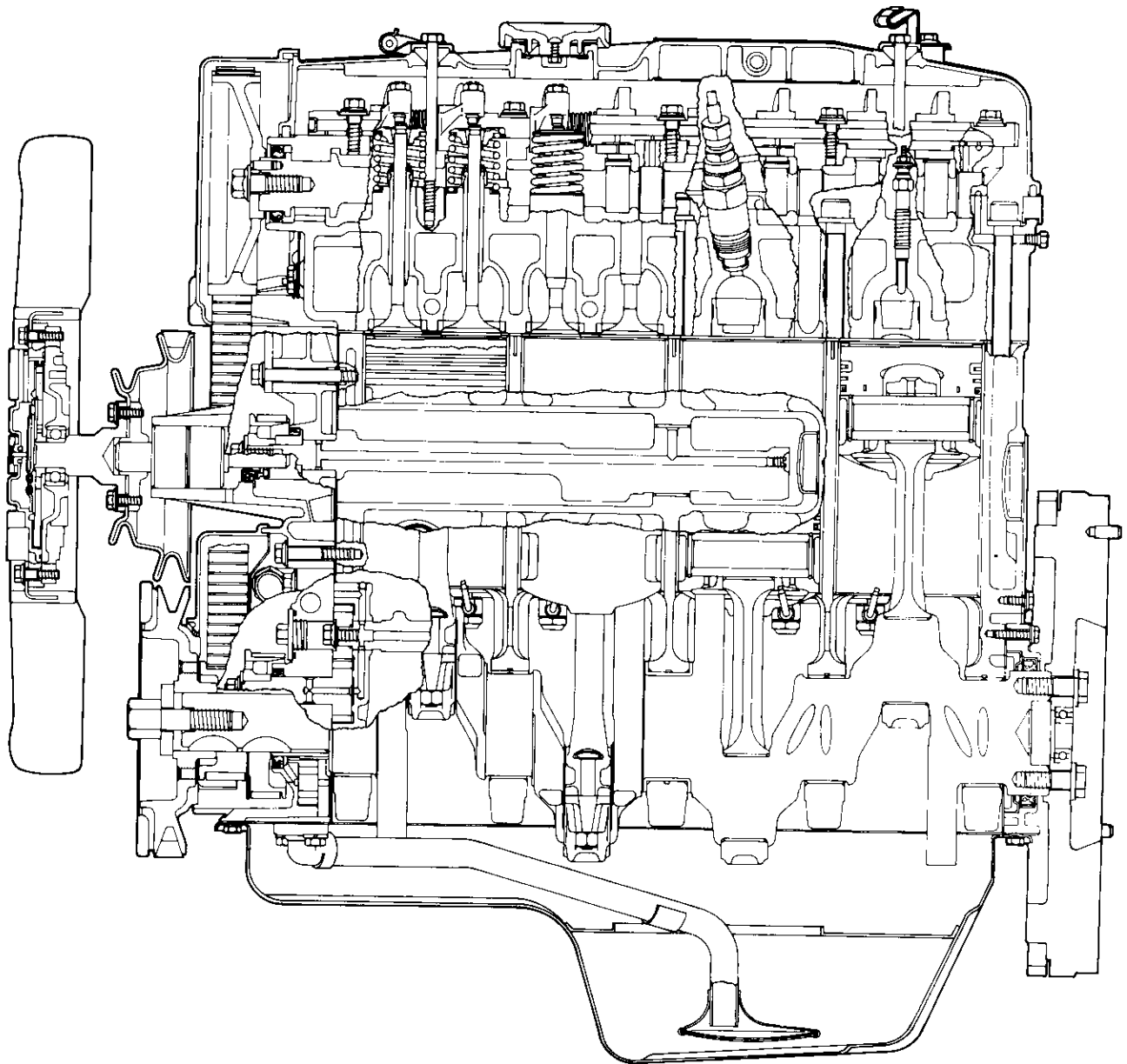
75/

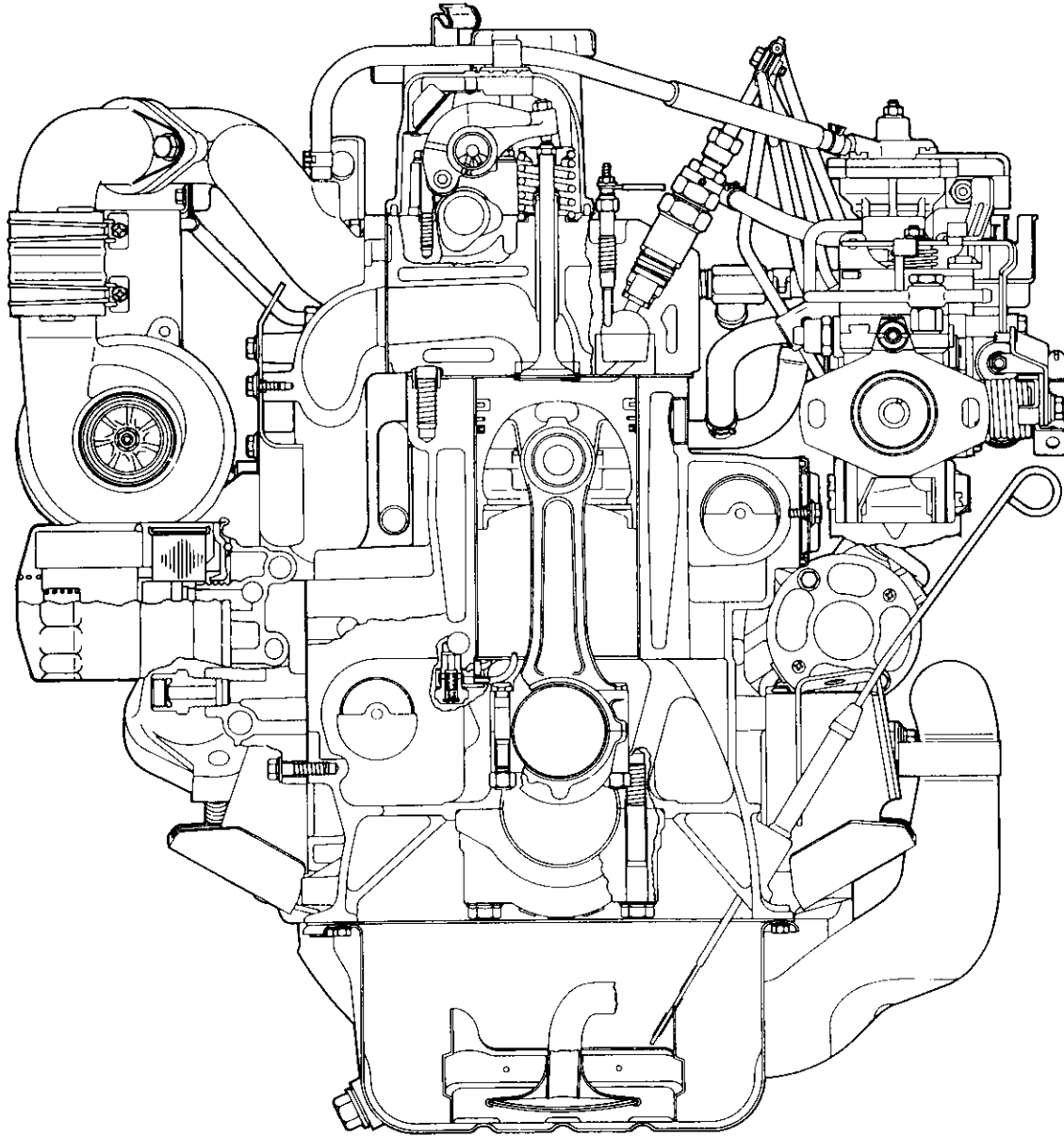
REMARKS

This manual covers the 4D56 engines of 1994 and subsequent year models. When using this manual, please note that all the pages are applicable to the above engines regardless of the indication in the headline of each page "4D56 ENGINE <1991 - 1993>" and "4D56 ENGINE <1994->".

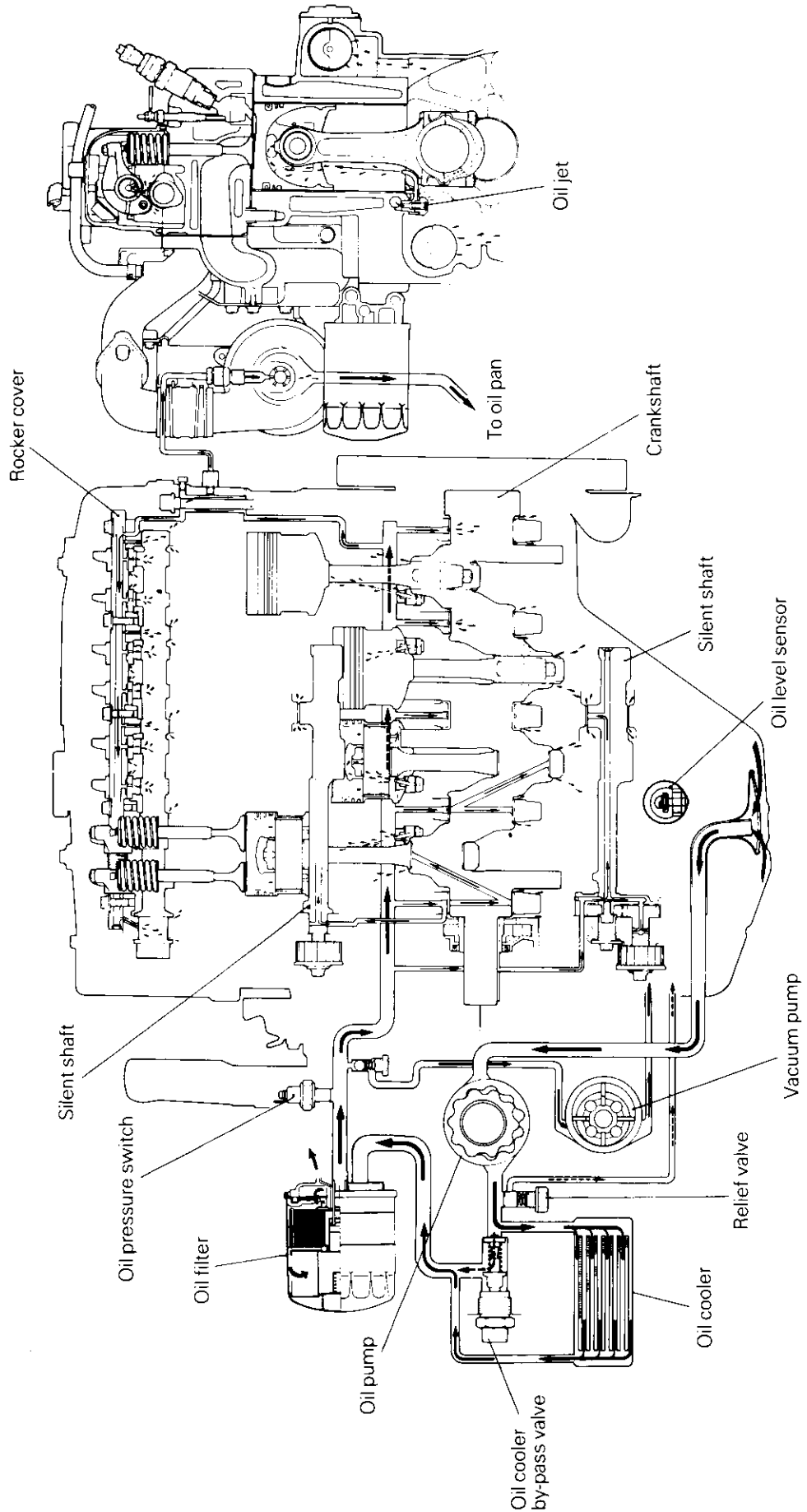
GENERAL INFORMATION

ENGINE SECTIONAL VIEW





LUBRICATION SYSTEM



LIST OF MAJOR CHANGES

	Description of change	Applicable Engine Model	Effective Date
①	Oil pump has been changed from gear type to trochoid type.	All	From Sep. 1990

