

GROUP 90

CIRCUIT DIAGRAMS

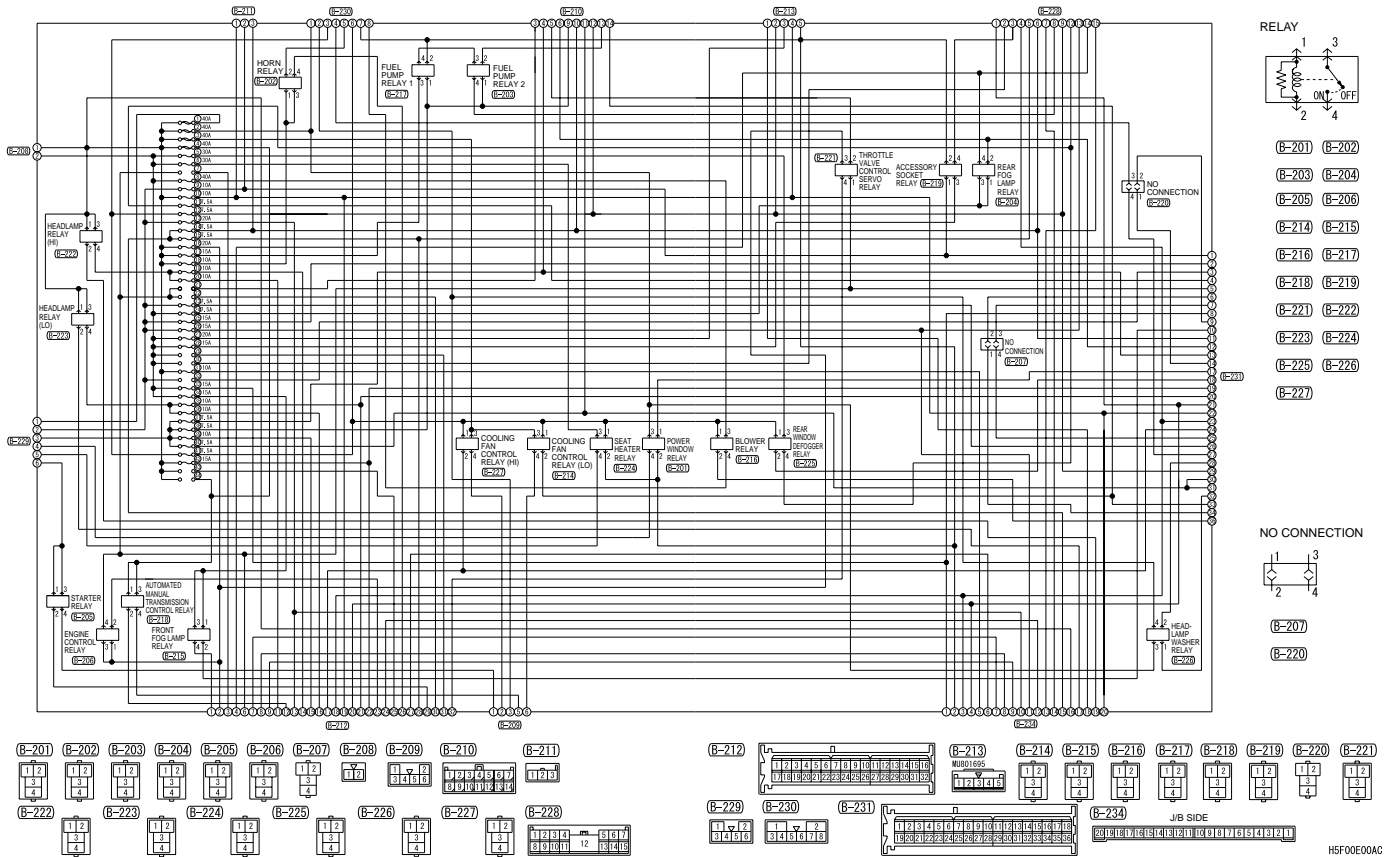
CONTENTS

J/B	90-3	ROOM LAMP AND LUGGAGE COMPARTMENT LAMP <LH DRIVE VEHICLES>	90-34
J/C	90-4	ROOM LAMP AND LUGGAGE COMPARTMENT LAMP <RH DRIVE VEHICLES>	90-36
CENTRALIZED JUNCTION.....	90-5	HEADLAMP LEVELING SYSTEM ...	90-38
POWER DISTRIBUTION SYSTEM ..	90-9	FLOOR CONSOLE ILLUMINATION LAMP	90-40
STARTING SYSTEM	90-11	TURN SIGNAL LAMP AND HAZARD WARNING LAMP	90-41
IGNITION SYSTEM	90-13	STOP LAMP	90-43
IGNITION SYSTEM <134>	90-13	BACK-UP LAMP	90-44
IGNITION SYSTEM <135>	90-14	BACK-UP LAMP <M/T>	90-44
CHARGING SYSTEM	90-15	BACK-UP LAMP <AUTOMATED MANUAL TRANSMISSION>	90-45
ENGINE CONTROL SYSTEM	90-16	HORN	90-46
ENGINE CONTROL SYSTEM <134>	90-16	METER AND GAUGE.....	90-47
ENGINE CONTROL SYSTEM <135>	90-19	FUEL WARNING LAMP, OIL PRESSURE WARNING LAMP AND BRAKE WARNING LAMP	90-49
COOLING SYSTEM.....	90-22	POWER WINDOWS	90-51
AUTOMATED MANUAL TRANSMISSION SYSTEM.....	90-23	POWER WINDOWS <LH DRIVE VEHICLES>	90-51
HEADLAMP	90-26	POWER WINDOWS <RH DRIVE VEHICLES>	90-54
TAIL-LAMP, POSITION LAMP, LICENCE PLATE LAMP AND LIGHTING MONITOR BUZZER.....	90-28	CENTRAL DOOR LOCKING SYSTEM	90-57
FRONT FOG LAMP	90-30	CENTRAL DOOR LOCKING SYSTEM <LH DRIVE VEHICLES>	90-57
REAR FOG LAMP	90-32		
ROOM LAMP AND LUGGAGE COMPARTMENT LAMP	90-34		

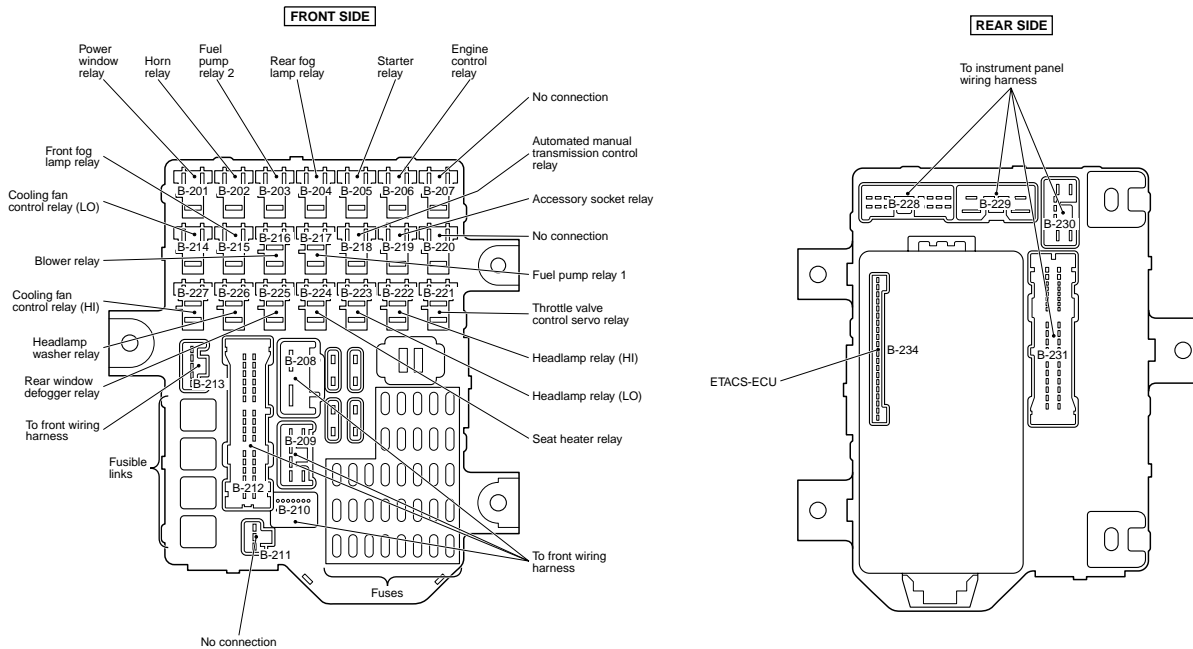
CENTRAL DOOR LOCKING SYSTEM <RH DRIVE VEHICLES>	90-60	ACCESSORY SOCKET	90-85
HEATER	90-63	MULTI-CENTRE DISPLAY	90-86
SEMI AUTOMATIC AIR CONDITIONER	90-65	ABS	90-88
WINDSHIELD WIPER AND WASHER	90-68	ABS AND ACTIVE STABILITY CONTROL SYSTEM	90-90
REAR WIPER AND WASHER	90-70	ELECTRIC POWER STEERING SYSTEM	90-92
HEADLAMP WASHER	90-72	SRS	90-94
REMOTE CONTROLLED MIRROR. .	90-74	SUNROOF	90-96
REMOTE CONTROLLED MIRROR <LH DRIVE VEHICLES>	90-74	IMMOBILIZER SYSTEM	90-97
REMOTE CONTROLLED MIRROR <RH DRIVE VEHICLES>	90-75	SEAT HEATER	90-99
REAR WINDOW DEFOGGER AND DOOR MIRROR HEATER	90-76	CAN	90-100
REAR WINDOW DEFOGGER AND DOOR MIRROR HEATER <LH DRIVE VEHICLES>	90-76	SEAT BELT WARNING BUZZER ...	90-102
REAR WINDOW DEFOGGER AND DOOR MIRROR HEATER <RH DRIVE VEHICLES>	90-78	SEAT BELT WARNING BUZZER <LH DRIVE VEHICLES>	90-102
AUDIO SYSTEM	90-80	SEAT BELT WARNING BUZZER <RH DRIVE VEHICLES>	90-103
AUDIO SYSTEM <LH DRIVE VEHICLES>	90-80	VEHICLE SPEED SIGNAL RECEIVING CONNECTOR	90-104
AUDIO SYSTEM <RH DRIVE VEHICLES>	90-82		
CIGARETTE LIGHTER	90-84		

J/B

M1901000200886

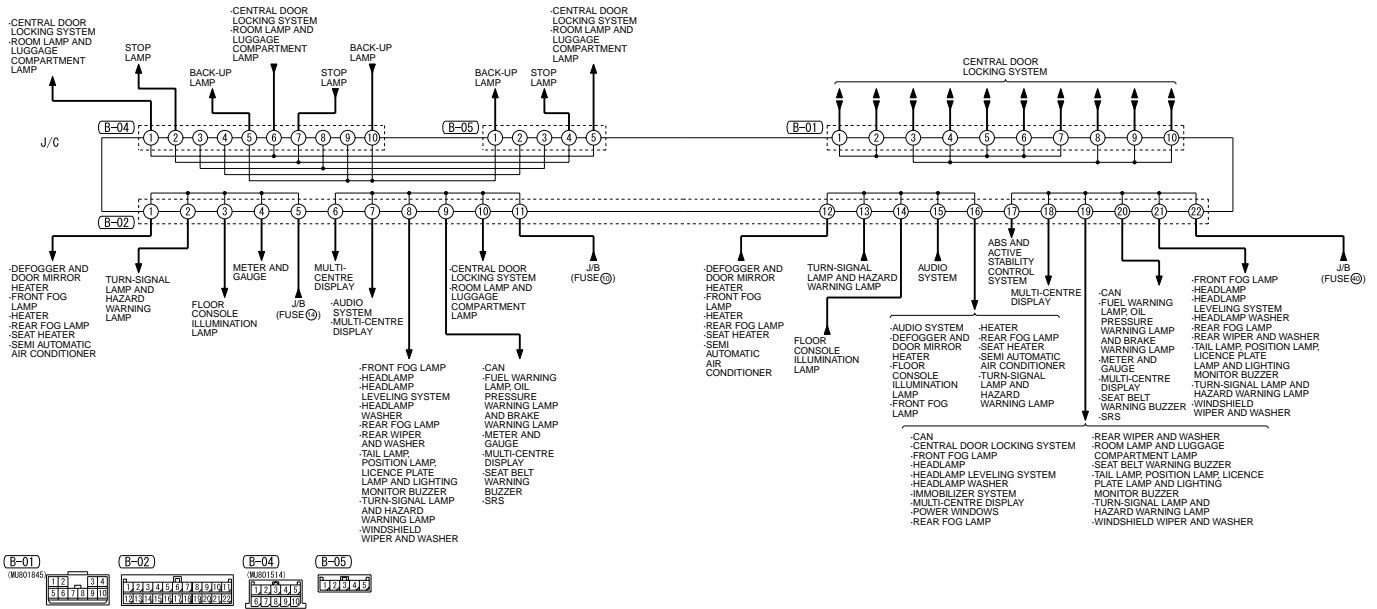


J/B (CONTINUED)



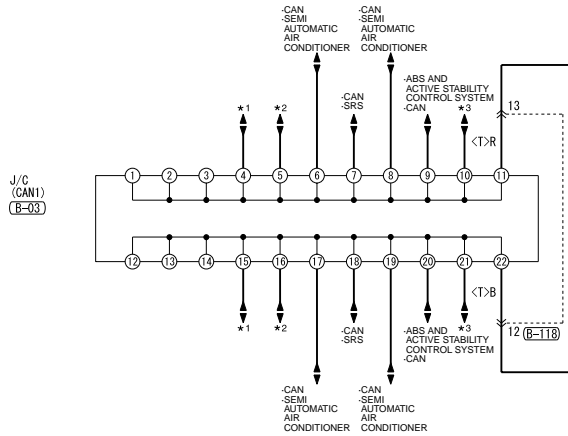
1 NOTE:
IN THE ACTUAL VEHICLES, SOME OF THE J/C TERMINALS IN THE SAME BUS ARE USED,
SO IN SOME CASES, THE TERMINAL ARRANGEMENT INDICATED ON THE CIRCUIT
DIAGRAMS DOES NOT AGREE WITH THE ONES IN THE ACTUAL VEHICLES.
HOWEVER, ON J/C (CAN 1, 2), THE ACTUAL TERMINAL AGREEMENT SHOULD ALWAYS
AGREE WITH THE CIRCUIT DIAGRAMS.

2

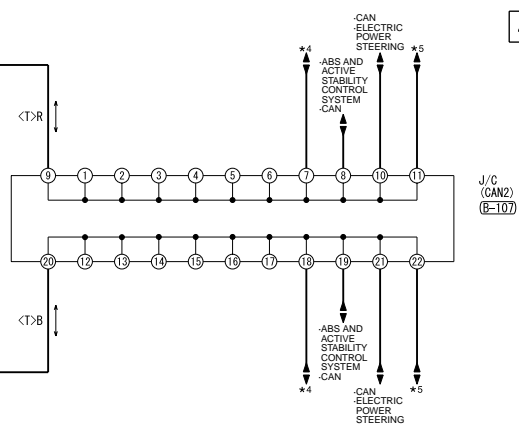


J/C (CONTINUED)

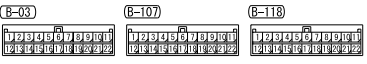
3



4



- NOTE
- *1: -ABS
-ABS AND ACTIVE STABILITY CONTROL SYSTEM
-AUTOMATED MANUAL TRANSMISSION SYSTEM
-CAN
-CENTRAL DOOR LOCKING SYSTEM
-CHARGING SYSTEM
-COOLING SYSTEM
-ELECTRIC POWER STEERING SYSTEM
-ENGINE CONTROL SYSTEM
-FRONT FOG LAMP
-FUEL WARNING LAMP
-OIL PRESSURE WARNING LAMP AND BRAKE WARNING LAMP
 - HEADLAMP
-IMMOBILIZER SYSTEM
-METER AND GAUGE
-REAR FOG LAMP
-ROOM LAMP AND LUGGAGE COMPARTMENT LAMP
-SEAT BELT WARNING BUZZER
-SEMI AUTOMATIC AIR CONDITIONER
-SRS
-TURN-SIGNAL LAMP AND HAZARD WARNING LAMP
-VEHICLE SPEED SIGNAL RECEIVING CONNECTOR
 - *2: -CAN
-CENTRAL DOOR LOCKING SYSTEM
-COOLING SYSTEM
-FRONT FOG LAMP
-FUEL WARNING LAMP
-LUGGAGE COMPARTMENT LAMP
-SEAT BELT WARNING BUZZER
-SEMI AUTOMATIC AIR CONDITIONER
-SRS
-HEADLAMP
-HEADLAMP LEVELING SYSTEM
-HEADLAMP WASHER
-IMMOBILIZER SYSTEM
-METER AND GAUGE
-POWER WINDOWS
-REAR FOG LAMP
 - REAR WIPER AND WASHER
-ROOM LAMP AND LUGGAGE COMPARTMENT LAMP
-SEAT BELT WARNING BUZZER
-SEMI AUTOMATIC AIR CONDITIONER
-TAIL LAMP POSITION LAMP
-LICENCE PLATE LAMP AND LIGHTING
-MONITOR BUZZER
-TURN-SIGNAL LAMP AND HAZARD WARNING LAMP
-WINDSHIELD WIPER AND WASHER
 - *3: -ABS
-ABS AND ACTIVE STABILITY CONTROL SYSTEM
-AUTOMATED MANUAL TRANSMISSION SYSTEM
-CAN
-CENTRAL DOOR LOCKING SYSTEM
-CHARGING SYSTEM
-COOLING SYSTEM
-ELECTRIC POWER STEERING SYSTEM
-ENGINE CONTROL SYSTEM
-FRONT FOG LAMP
-FUEL WARNING LAMP
-OIL PRESSURE WARNING LAMP AND BRAKE WARNING LAMP
-HEADLAMP
-HEADLAMP LEVELING SYSTEM
-HEADLAMP WASHER
-IMMOBILIZER SYSTEM
-METER AND GAUGE
 - POWER WINDOWS
-REAR FOG LAMP
-REAR WIPER AND WASHER
-ROOM LAMP AND LUGGAGE COMPARTMENT LAMP
-SEAT BELT WARNING BUZZER
-SEMI AUTOMATIC AIR CONDITIONER
-SRS
-STARTING SYSTEM
-TAIL LAMP POSITION LAMP AND LIGHTING
-TURN-SIGNAL LAMP AND HAZARD WARNING LAMP
-VEHICLE SPEED SIGNAL RECEIVING CONNECTOR
-WINDSHIELD WIPER AND WASHER
 - *4: -ABS
-ABS AND ACTIVE STABILITY CONTROL SYSTEM
-AUTOMATED MANUAL TRANSMISSION SYSTEM
-CAN
-CHARGING SYSTEM
-COOLING SYSTEM
-ENGINE CONTROL SYSTEM
-FUEL WARNING LAMP
-OIL PRESSURE WARNING LAMP AND BRAKE WARNING LAMP
-HEADLAMP
-IMMOBILIZER SYSTEM
-METER AND GAUGE
-MULTI-CENTRE DISPLAY
-SEMI AUTOMATIC AIR CONDITIONER
-STARTING SYSTEM
-SIGNAL RECEIVING CONNECTOR
-WINDSHIELD WIPER AND WASHER
 - *5: -ABS
-ABS AND ACTIVE STABILITY CONTROL SYSTEM
-AUTOMATED MANUAL TRANSMISSION SYSTEM
-CAN
-ELECTRIC POWER STEERING SYSTEM
-ENGINE CONTROL SYSTEM
-FUEL WARNING LAMP
-OIL PRESSURE WARNING LAMP AND BRAKE WARNING LAMP
-METER AND GAUGE
-MULTI-CENTRE DISPLAY
-VEHICLE SPEED SIGNAL RECEIVING CONNECTOR
-WINDSHIELD WIPER AND WASHER



Wire colour code
B : Black LG : Light green G : Green L : Blue W : White Y : Yellow SB : Sky blue
BR : Brown O : Orange GR : Grey R : Red P : Pink V : Violet

H500E019C

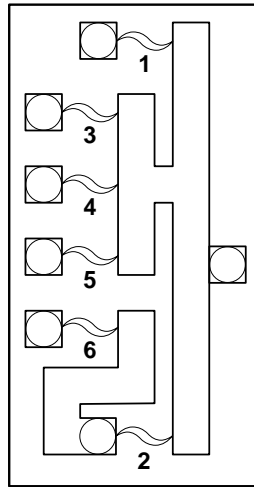
CENTRALIZED JUNCTION

M1901000300902

FUSIBLE LINK AND FUSE
ENGINE COMPARTMENT

No.	Power source circuit	Name	Rated capacity (A)	Housing colour	Load circuit
1	Battery/Fusible link No.2 (in fusible link box)	Fusible link	120	—	ETACS-ECU, headlamp relay, fusible link No.1, 2, 3, 4 (in junction block) circuit and fuse No.10, 14, 15, 16, 17, 18, 19, 20, 31, 35, 36, 42 circuit
2	Battery/Alternator		120	—	Fusible link No.6 (in fusible link box) circuit/battery and fusible link No.1, 3, 4, 5 (in fusible link box) circuit
3	Battery/Fusible link No.2 (in fusible link box)		40	—	ABS-ECU and ABS/Active stability control system-ECU
4			60	—	Electric power steering-ECU
5			30	—	ABS-ECU, ABS/Active stability control system-ECU and alternator
6	Fusible link No.2 (in fusible link box) /Alternator		80	—	Fuse No.5, 6, 8, 24, 27, 28, 33, 34 circuit

(Fusible link box connected directly to battery positive terminal)



Front of vehicle

AC312499AB

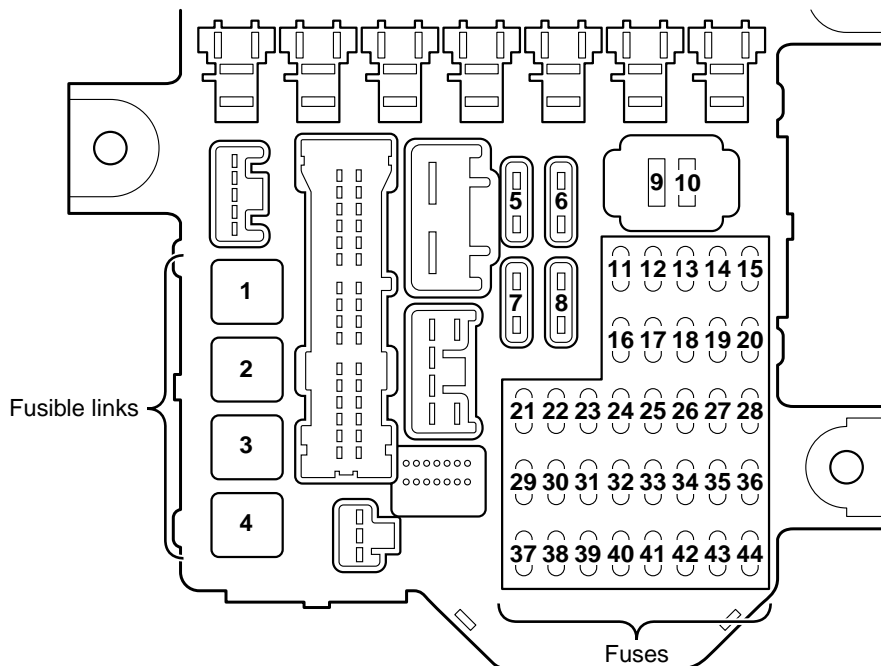
PASSENGER COMPARTMENT

No.	Power source circuit	Name	Rated capacity (A)	Housing colour	Load circuit
1	Fusible link No.1 (in fusible link box)	Fusible link	40	Green	Ignition switch circuit
2			40	Green	Headlamp washer motor, headlamp washer relay, power window motor and power window switch
3			40	Green	Cooling fan motor
4			40	Green	Automated manual transmission control relay, engine-A-M/T-ECU and allshift lever
5	Fusible link No.6 (in fusible link box)	Fuse	30	Green	Fuse No.11 circuit and rear window defogger
6			30	Green	Seat heater and seat heater switch
7			–	–	–
8	Fusible link No.6 (in fusible link box)		40	Green	Blower motor and blower resistor
9	Ignition switch (ACC)		10	Red	Accessory socket relay, ETACS-ECU, multi-centre display unit, radio and radio with CD player
10	Fusible link No.1 (in fusible link box)		10	Red	Column-ECU, combination meter, ETACS-ECU, luggage compartment lamp, multi-centre display unit, radio, radio with CD player and room lamp
11	Rear window defogger relay		7.5	Brown	Door mirror heater
12	Ignition switch (IG2)		7.5	Brown	Sunroof motor assembly

No.	Power source circuit	Name	Rated capacity (A)	Housing colour	Load circuit
13	Ignition switch (ACC)		20	Yellow	ETACS-ECU, washer motor and windshield wiper motor
14	ETACS-ECU (tail lamp relay)		7.5	Brown	A/C-ECU, floor console illumination lamp, fog lamp switch, hazard warning lamp switch, heater control-ECU, position lamp (RH), seat heater switch and tail lamp (RH)
15			7.5	Brown	Licence plate lamp, position lamp (LH) and tail lamp (LH)
16	Fusible link No.1 (in fusible link box)		20	Yellow	A/C variable compressor, camshaft position sensor, crank angle sensor, engine control relay, engine-ECU, engine-A-M/T-ECU, injector, oil control valve, oxygen sensor, purge control solenoid valve and throttle valve control servo relay
17	Fusible link No.1 (in fusible link box)		15	Blue	Fuel pump and gauge unit
18			10	Red	Horn and horn relay
19	Headlamp relay: HI		10	Red	Headlamp (LH)
20			10	Red	Headlamp (RH)
21	–		–	–	–
22	–		–	–	–
23	Ignition switch (ACC)		7.5	Brown	Remote controlled mirror
24	Fusible link No.6 (in fusible link box)		7.5	Brown	Rear fog lamp and rear fog lamp relay
25	Ignition switch (ACC)		15	Blue	Cigarette lighter
26			15	Blue	ETACS-ECU, rear wiper motor and washer motor
27	Fusible link No.6 (in fusible link box)		20	Yellow	Sunroof motor assembly
28			15	Blue	Accessory socket
29			–	–	–
30			–	–	–
31	Fusible link No.1 (in fusible link box)		10	Red	ETACS-ECU
32	Ignition switch (ACC)		–	–	–
33	Fusible link No.6 (in fusible link box)		15	Blue	Diagnosis connector, ETACS-ECU, front door lock actuator, rear door lock actuator and tailgate lock actuator
34			15	Blue	Front fog lamp and front fog lamp relay
35	Headlamp relay: LO		10	Red	Column-ECU, front combination lamp (levelling) and headlamp (LH)

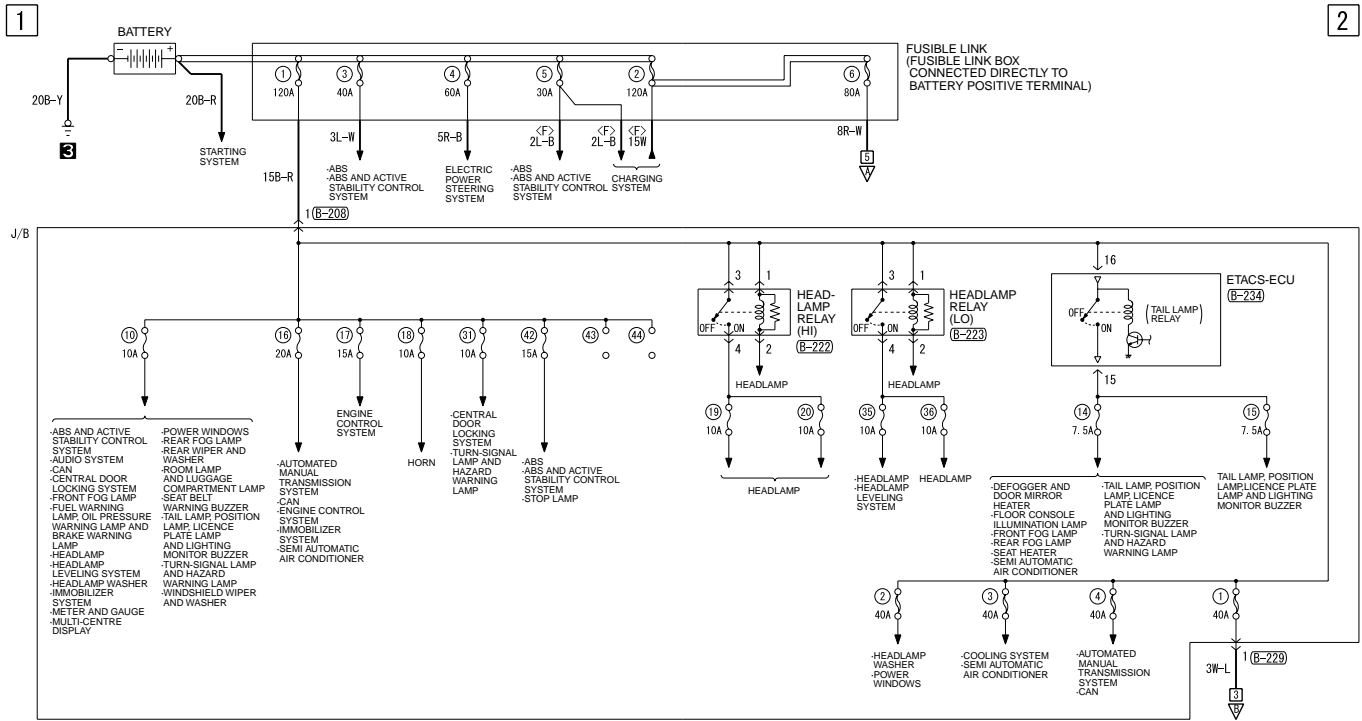
No.	Power source circuit	Name	Rated capacity (A)	Housing colour	Load circuit
36	Ignition switch (IG1)		10	Red	Headlamp (RH)
37			7.5	Brown	Allshift lever, back-up lamp and SRS-ECU
38			7.5	Brown	Engine-ECU, engine-A-M/T-ECU and fuel pump relay
39			10	Red	Ignition coil
40			7.5	Brown	ABS-ECU, ABS/Active stability control system-ECU, column-ECU, combination meter, electric power steering-ECU, ETACS-ECU, G and yaw rate sensor, multi-centre display unit, SRS-ECU and steering wheel sensor
41			Ignition switch (IG2)	7.5	Brown
42	Fusible link No.1 (in fusible link box)		15	Blue	ABS-ECU, ABS/Active stability control system-ECU, high-mounted stop lamp and stop lamp
43			-	-	-
44			-	-	-

(in junction block)



POWER DISTRIBUTION SYSTEM

M1901000400987



- B-208
- B-222
- B-223
- B-229
- B-234

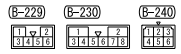
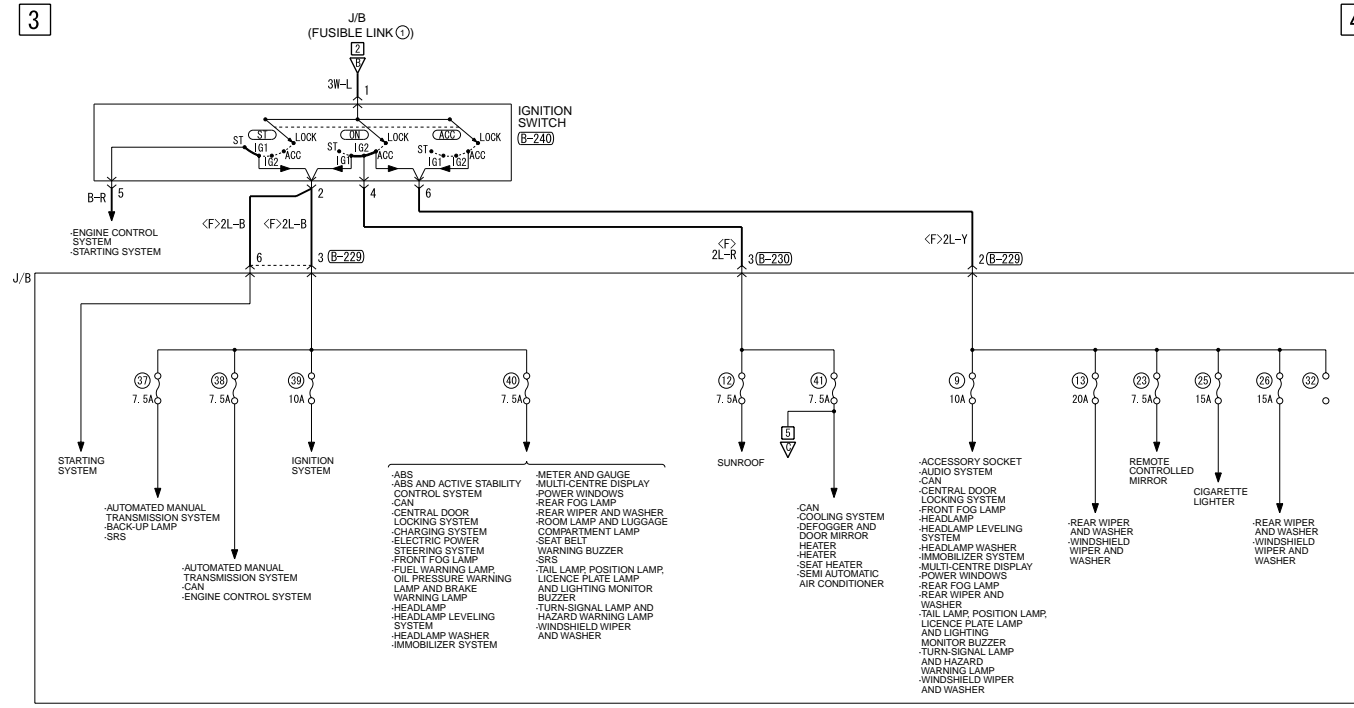
Wire colour code
 B : Black LG : Light green G : Green L : Blue W : White Y : Yellow SB : Sky blue
 BR : Brown O : Orange GR : Grey R : Red P : Pink V : Violet

H5F01E00AC

POWER DISTRIBUTION SYSTEM (CONTINUED)

3

4

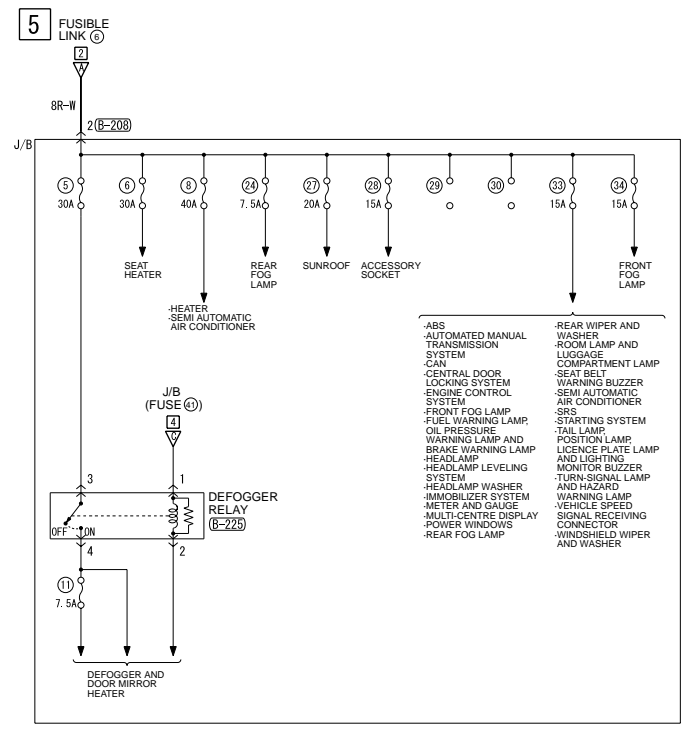


Wire colour code
B : Black LG : Light green G : Green L : Blue W : White Y : Yellow SB : Sky blue
BR : Brown O : Orange GR : Grey R : Red P : Pink V : Violet

HSF01E000C

POWER DISTRIBUTION SYSTEM (CONTINUED)

5



Wire colour code
B : Black LG : Light green G : Green L : Blue W : White Y : Yellow SB : Sky blue
BR : Brown O : Orange GR : Grey R : Red P : Pink V : Violet

HSF01E000C