

VIN PLATE DECODING INFORMATION

1	2	3	4	5	6	7	8	9	10	11	12 thru 17
Country	Make	Vehicle Type	Other	Line	Series	Body Style	Engine	Check Digit	Model Year	Assy. Plant	Sequence No.

The following table interprets the VIN Plate position shown above.

Position	Interpretation	Codes = Description
1	Country of Origin	W = DaimlerChrysler AG
2	Assembler	D = Sprinter
3	Vehicle Type	W = Dodge Bus X = Dodge Incomplete 8 = Dodge Multipurpose Passenger Vehicle 0 = Dodge Wagon 1 = Sprinter Cab-Chassis 1 = Sprinter Chassis-Cab 5 = Sprinter Multipurpose Passenger Vehicle 2 = Sprinter Truck
4	GVWR & Pass. Safety	P = 4X2 - U.S. B = 4X4 - Canada
5	Vehicle Line	D = Combine with position 6
6	Series	1 = 2500C/C2500/P2500 3000 mm 15 in. wheel 8,001 - 9,000 lbs. Class G 6 = 2500C/C2500/P2500 3567 mm 16in. wheel 8,001 - 9,000 lbs. Class G 7 = 2500C/C2500/P2500 4042 mm 16in. wheel 8,001 - 9,000 lbs. Class G 8 = 3500C 3567 mm 16in. wheel 10,001 - 14,000 lbs. Class 3 9 = 3500C 4042 mm 16 in. wheel 10,001 - 14,000 lbs. Class 3 4 = 3500C/C3500 3550 mm 15 in. wheel 9,001 - 10,000 lbs. Class H 5 = 3500C/C3500 4025 mm 15 in. wheel 9,001 - 10,000 lbs. Class H
7	Body Style	4 = Combine with position 8
8	Engine	2 = 2.7L 50 State Diesel, Hydraulic Brakes
9	Check Digit	0 = Check Digit
10	Model Year	6 = 2006
11	Assembly Plant	5 = Dusseldorf
12 thru 17	Vehicle Build Sequence	Model Year Assembly Sequence

Group - 2

Front Suspension & Drive

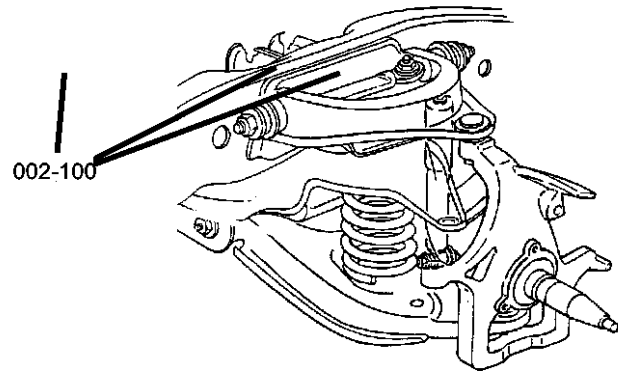
Group - 2 Front Suspension & Drive

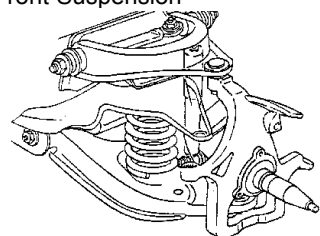
Illustration Title

Group-Fig. No.

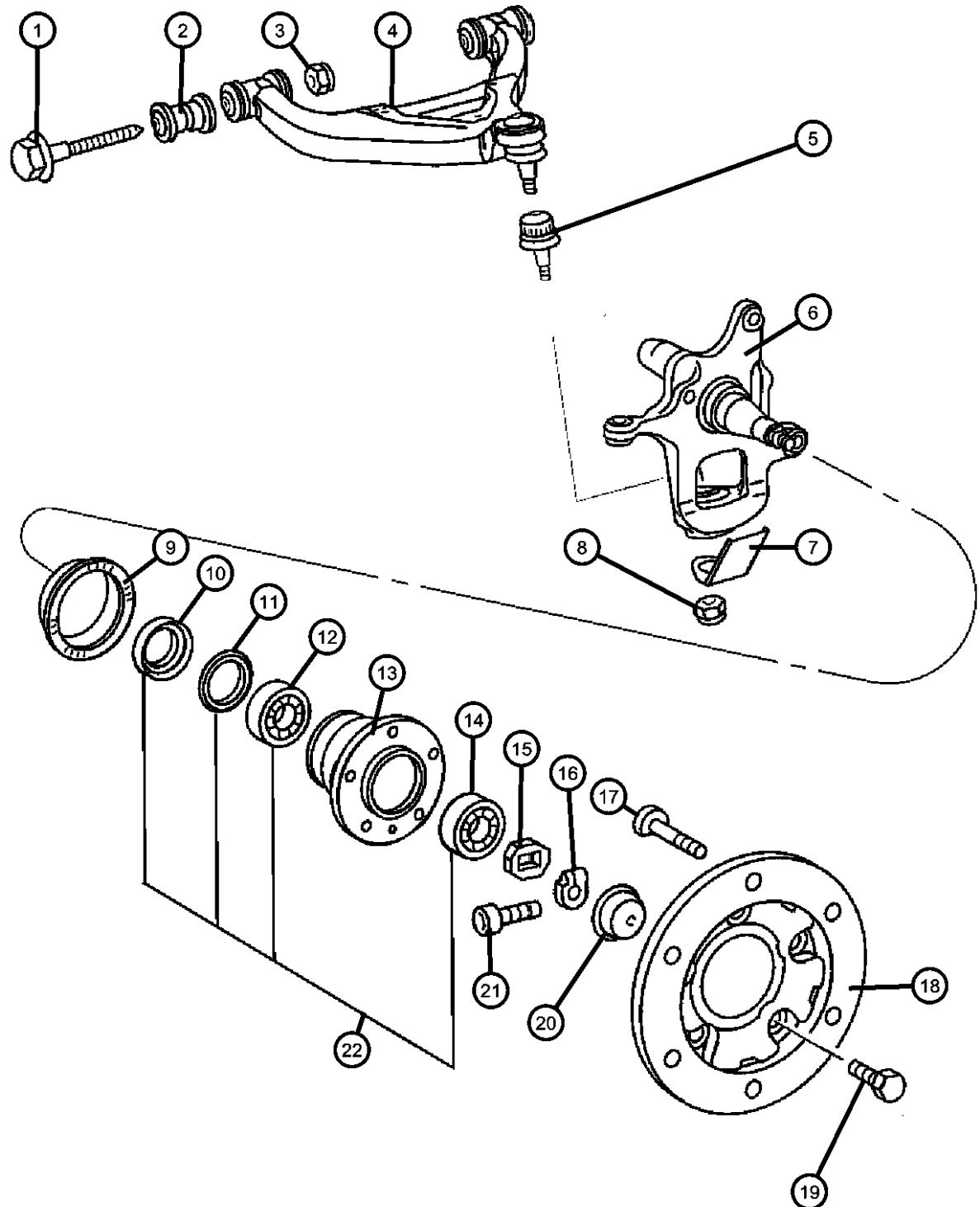
Front Suspension

Front Control Arms, Knuckles, Bearings and Hubs.....	Fig. 2 - 110
Front Shocks	Fig. 2 - 120
Front Stabilzer Bar	Fig. 2 - 130
Front Spring	Fig. 2 - 140



<p>002-100 Front Suspension</p> 			
---	--	--	--

Front Control Arms, Knuckles, Bearings and Hubs
Figure 2-110



ITEM	PART NUMBER	QTY	LINE	SERIES	BODY	ENGINE	TRANS	TRIM	DESCRIPTION
------	-------------	-----	------	--------	------	--------	-------	------	-------------

Note: Sales Codes

Note: On Up To and From parts, you will have to refer to the Vehicle Data Card.

1	05133819AA	4							BOLT, Hex Head
2	05133818AA	2	2, 3, 6, 7						BUSHING, Control Arm
3									NUT
	06104719AA	2	2, 6	L	11, 12, 14, 15, 16				
		2	2, 6	L	51, 52, 54, 55, 56				
		2	3, 7	L	02, 06				
		2	3, 7	L	12, 15, 16				
		2	2, 6	L	01, 02, 06				
4									ARM, Lower Control, Front
	05104578AB	1	3, 7						Left
	05136057AB	1	3, 7						Right
	05137552AA	1	2, 6	L					Right
	05137632AA	1	2, 6	L					Left
5	05139559AA	2							BALL JOINT, Lower Control Arm
6									KNUCKLE, Front
	05135233AA	1	2, 6	L	01, 02, 06				Left
		1	3, 7	L	02, 06				With Special Version [504032 / 09], Left
	05139492AA	1	3, 7						Right
	05104579AA	1	3, 7						Left
	05135232AA	1	2, 6	L	11, 12, 14, 15, 16				Right
		1	2, 6	L	56, 51, 52, 54, 55				Right
		1	2, 6	L	01, 02, 06				Right
		1	3, 7	L	02, 06				With Special Version [504032 / 10], Right

SPRINTER (VA)

SERIES

L = LOWLINE
 3 = HD DODGE 2WD
 8 = HD DODGE 4WD
 6 = Lt. Duty DODGE 4WD
 2 = Med. Duty DODGE 2WD
 7 = Med. Duty DODGE 4WD
 4 = TRUCK

LINE

BODY

01 = CHASSIS FORWARD CONTROL W.B.1
 02 = CAB CHASSIS WHEEL BASE 2
 06 = CAB CHASSIS WHEEL BASE 6
 11 = VAN WHEEL BASE 1
 12 = VAN WHEEL BASE 2
 51 = WAGON WHEEL BASE 1
 52 = WAGON WHEEL BASE 2
 14 = VAN WHEEL BASE 4
 15 = VAN WHEEL BASE 5
 54 = WAGON WHEEL BASE 4
 55 = WAGON WHEEL BASE 5
 56 = WAGON WHEEL BASE 6
 16 = VAN WHEEL BASE 6

ENGINE

EX8 = 2.7L I5 Turbo Diesel Engine
 EX9 = 2.7L I5 Mercedes-Benz TD Engine

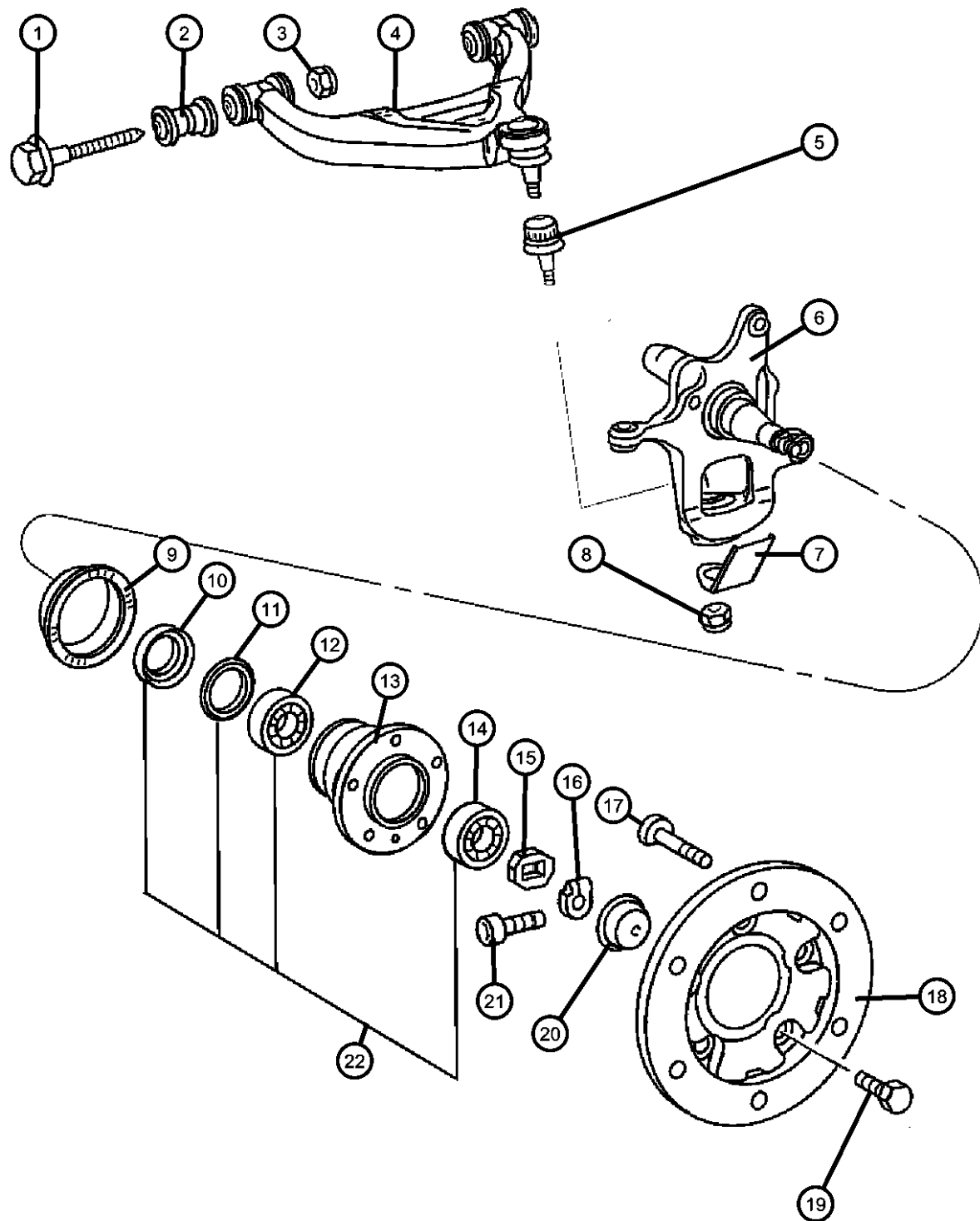
TRANSMISSION

DGJ = 5-Speed Automatic MB Transmission
 DGZ = 4-Spd. Automatic MT643 Transmission

AR = use ase required - = Non illustrated part

2006 VA

Front Control Arms, Knuckles, Bearings and Hubs
Figure 2-110



ITEM	PART NUMBER	QTY	LINE	SERIES	BODY	ENGINE	TRANS	TRIM	DESCRIPTION
		1	2, 6	L	11, 12, 14, 15, 16				Left
		1	2, 6	L	51, 52, 54, 55, 56				Left
7	05136122AA	2							PLATE, Control Arm
8	05136123AA	1	2, 3, 6, 7						NUT, Ball Joint
9	05139358AA	2							RING, Tone
10	05103901AB	2							SEAL, Hub
11	05139359AA	2							SEAL, Wheel Hub
12	05103779AA	2							BEARING, AxleInner
13									HUB, Front Wheel
	05104556AA	2							Up To Axle S482213/Y422059
	05139360AA	2							From Axle S482214/Y422060
14	05103869AA	2							BEARING, AxleOuter
15	05103956AA	2							WASHER, Thrust, Front
16	05097843AA	2							NUT
17	05139905AA	2	3, 7						BOLT
18	05139903AA	2	3, 7						FLANGE, Axle Output
19	06104258AA	12	3, 7	L					SCREW, Hex Flange Head
20	05103914AA	2							CAP, Wheel Hub Grease
21	05104617AA	2							SCREW
22									HUB AND BEARING PACKAGE, Kit
	05103579AA	1							Up To Axle S231915/Y245976
	05139357AA	1							From Axle S4231916/Y245977

SPRINTER (VA)

SERIES
L = LOWLINE

LINE
3 = HD DODGE 2WD
8 = HD DODGE 4WD
6 = Lt. Duty DODGE 4WD
2 = Med. Duty DODGE 2WD
7 = Med. Duty DODGE 4WD
4 = TRUCK

BODY
01 = CHASSIS FORWARD CONTROL W.B.1
02 = CAB CHASSIS WHEEL BASE 2
06 = CAB CHASSIS WHEEL BASE 6
11 = VAN WHEEL BASE 1
12 = VAN WHEEL BASE 2
51 = WAGON WHEEL BASE 1
52 = WAGON WHEEL BASE 2
14 = VAN WHEEL BASE 4
15 = VAN WHEEL BASE 5
54 = WAGON WHEEL BASE 4
55 = WAGON WHEEL BASE 5
56 = WAGON WHEEL BASE 6
16 = VAN WHEEL BASE 6

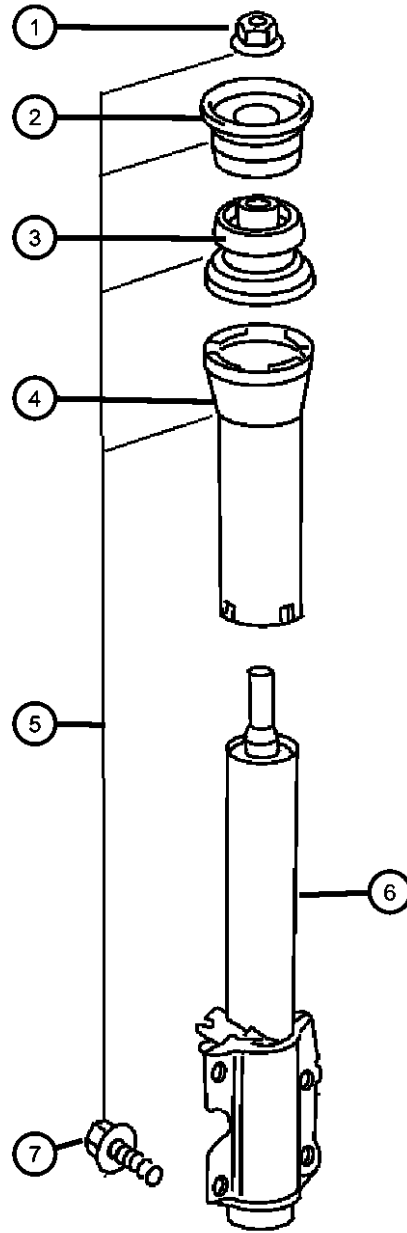
ENGINE
EX8 = 2.7L I5 Turbo Diesel Engine
EX9 = 2.7L I5 Mercedes-Benz TD Engine

TRANSMISSION
DGJ = 5-Speed Automatic MB Transmission
DGZ = 4-Spd. Automatic MT643 Transmission

AR = use ase required - = Non illustrated part

2006 VA

**Front Shocks
Figure 2-120**



ITEM	PART NUMBER	QTY	LINE	SERIES	BODY	ENGINE	TRANS	TRIM	DESCRIPTION
------	-------------	-----	------	--------	------	--------	-------	------	-------------

Note: Sales Codes:
[SHA]=Stabilizer Bar - Front
[3AT]=Rear Springs Weight 3.88T

1									NUT
	05125762AA	2	2, 6	L	01, 02, 06				
		2	2, 6	L	11, 12, 14, 15, 16				
		2	2, 6	L	51, 52, 54, 55, 56				
		2	3, 7	L	02, 06				
		2	3, 7	L	12, 15, 16				
2									BUSHING, Shock Absorber
	05118718AA	2	2, 6	L	01, 02, 06				
		2	2, 6	L	11, 12, 14, 15, 16				
		2	2, 6	L	51, 52, 54, 55, 56				
		2	3, 7	L	02, 06				
		2	3, 7	L	12, 15, 16				
3									BUSHING, Shock Absorber
	05118722AA	2	2, 6	L	01, 02, 06				
		2	2, 6	L	11, 12, 14, 15, 16				
		2	2, 6	L	51, 52, 54, 55, 56				
		2	3, 7	L	02, 06				
		2	3, 7	L	12, 15, 16				
4									SHIELD, Shock Absorber Dust
	05118728AA	2	2, 6	L	01, 02, 06				
		2	2, 6	L	11, 12, 14, 15, 16				
		2	2, 6	L	51, 52, 54, 55, 56				

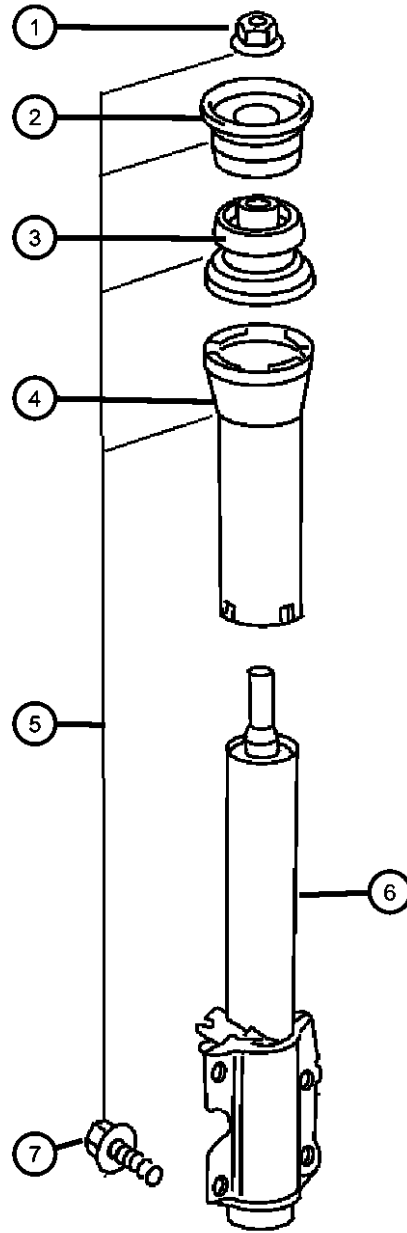
SPRINTER (VA)

SERIES	LINE	BODY	ENGINE	TRANSMISSION
L = LOWLINE	3 = HD DODGE 2WD	01 = CHASSIS FORWARD CONTROL W.B.1	EX8 = 2.7L I5 Turbo Diesel Engine	DGJ = 5-Speed Automatic MB Transmission
	8 = HD DODGE 4WD	02 = CAB CHASSIS WHEEL BASE 2	EX9 = 2.7L I5 Mercedes-Benz TD Engine	DGZ = 4-Spd. Automatic MT643 Transmission
	6 = Lt. Duty DODGE 4WD	06 = CAB CHASSIS WHEEL BASE 6		
	2 = Med. Duty DODGE 2WD	11 = VAN WHEEL BASE 1		
	7 = Med. Duty DODGE 4WD	12 = VAN WHEEL BASE 2		
	4 = TRUCK	51 = WAGON WHEEL BASE 1		
		52 = WAGON WHEEL BASE 2		
		14 = VAN WHEEL BASE 4		
		15 = VAN WHEEL BASE 5		
		54 = WAGON WHEEL BASE 4		
		55 = WAGON WHEEL BASE 5		
		56 = WAGON WHEEL BASE 6		
		16 = VAN WHEEL BASE 6		

AR = use ase required - = Non illustrated part

2006 VA

Front Shocks
Figure 2-120



ITEM	PART NUMBER	QTY	LINE	SERIES	BODY	ENGINE	TRANS	TRIM	DESCRIPTION
		2	3, 7	L	02, 06				
		2	3, 7	L	12, 15, 16				
5	05133869AA	2	2, 6	L	01, 02, 06				PARTS KIT, Shock
		2	2, 6	L	11, 12, 14, 15, 16				
		2	2, 6	L	51, 52, 54, 55, 56				
		2	3, 7	L	02, 06				
6		2	3, 7	L	12, 15, 16				ABSORBER, Shock
	05104063AA	2	2, 6	L					
	05128502AA	2	3, 7	L	12, 15, 16				
	05139548AA	2	2, 6						[3AT,SHA]
7	05125699AA	8							SCREW, Strut to Knuckle, Mounting

SPRINTER (VA)

SERIES

L = LOWLINE

LINE

3 = HD DODGE 2WD
 8 = HD DODGE 4WD
 6 = Lt. Duty DODGE 4WD
 2 = Med. Duty DODGE 2WD
 7 = Med. Duty DODGE 4WD
 4 = TRUCK

BODY

01 = CHASSIS FORWARD CONTROL W.B.1
 02 = CAB CHASSIS WHEEL BASE 2
 06 = CAB CHASSIS WHEEL BASE 6
 11 = VAN WHEEL BASE 1
 12 = VAN WHEEL BASE 2
 51 = WAGON WHEEL BASE 1
 52 = WAGON WHEEL BASE 2
 14 = VAN WHEEL BASE 4
 15 = VAN WHEEL BASE 5
 54 = WAGON WHEEL BASE 4
 55 = WAGON WHEEL BASE 5
 56 = WAGON WHEEL BASE 6
 16 = VAN WHEEL BASE 6

ENGINE

EX8 = 2.7L I5 Turbo Diesel Engine
 EX9 = 2.7L I5 Mercedes-Benz TD Engine

TRANSMISSION

DGJ = 5-Speed Automatic MB Transmission
 DGZ = 4-Spd. Automatic MT643 Transmission

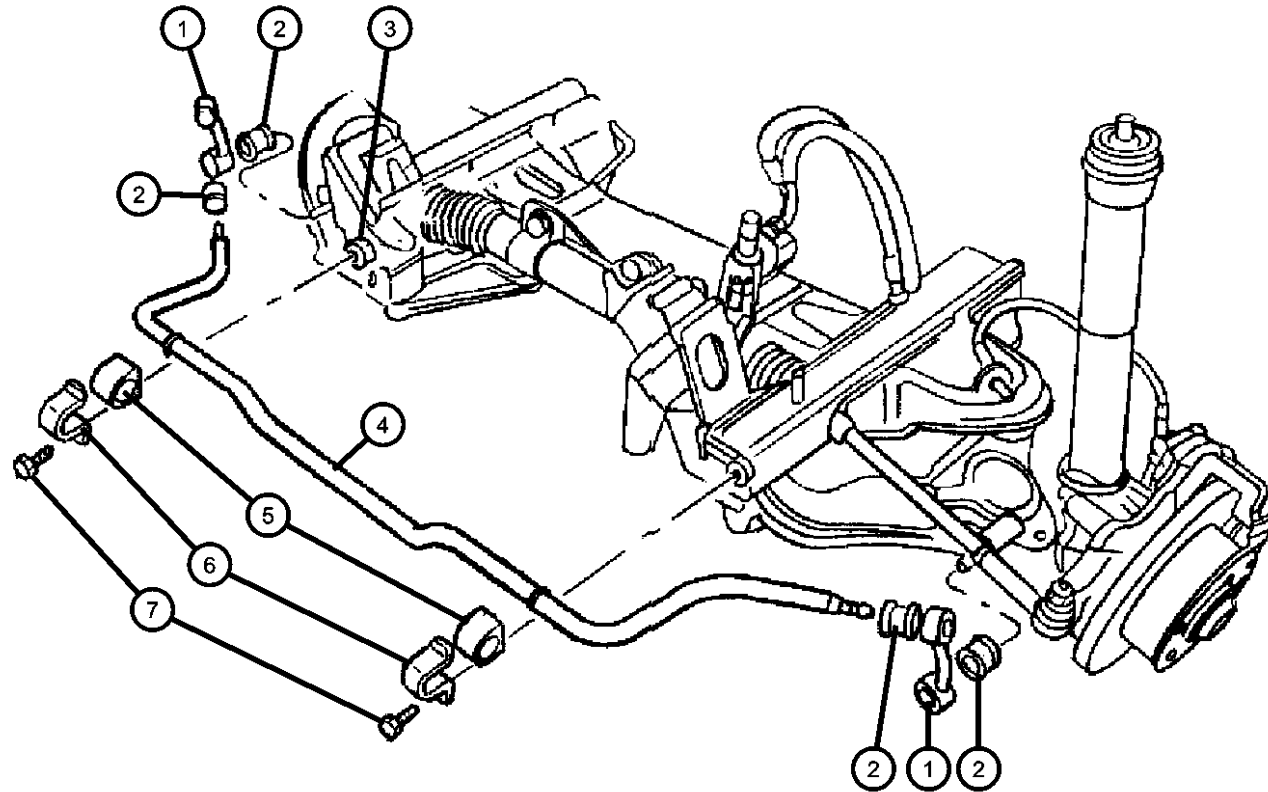
AR = use ase required - = Non illustrated part

2006 VA

**Front Stabilizer Bar
Figure 2-130**

ITEM	PART NUMBER	QTY	LINE	SERIES	BODY	ENGINE	TRANS	TRIM	DESCRIPTION
------	-------------	-----	------	--------	------	--------	-------	------	-------------

Note; Sales Codes;
[SHA]=Stabilizer Bar-Front
[SHB]=
[SHJ]=



1									LINK, Stabilizer Bar
	05104059AA	1	2, 6	L	01, 02, 06				[SHA,SHJ], Left
		1	2, 6	L	11, 12, 14, 15, 16				[SHA,SHJ], Left
		1	2, 6	L	51, 52, 54, 55, 56				[SHA,SHJ], Left
		1	3, 7	L	02, 06				[SHJ], Left
		1	3, 7	L	12, 15, 16				[SHJ], Left
	05104060AA	1	2, 6	L	01, 02, 06				[SHA,SHJ], Right
		1	2, 6	L	11, 12, 14, 15, 16				[SHA,SHJ], Right
		1	2, 6	L	51, 52, 54, 55, 56				[SHA,SHJ], Right
		1	3, 7	L	02, 06				[SHJ], Right
		1	3, 7	L	12, 15, 16				[SHJ], Right
	05127276AA	1	2, 6	L	11, 12, 14, 15, 16				[SHB], Left
	05127277AA	1	2, 6	L	11, 12, 14, 15, 16				[SHB], Right
2									BUSHING
	05104066AA	4	2, 6	L	01, 02, 06				
		4	2, 6	L	11, 12, 14, 15, 16				
		4	2, 6	L	51, 52, 54, 55, 56				
		4	3, 7	L	02, 06				
		4	3, 7	L	12, 15, 16				
3									NUT
	05104677AA	2	2, 6	L	01, 02, 06				

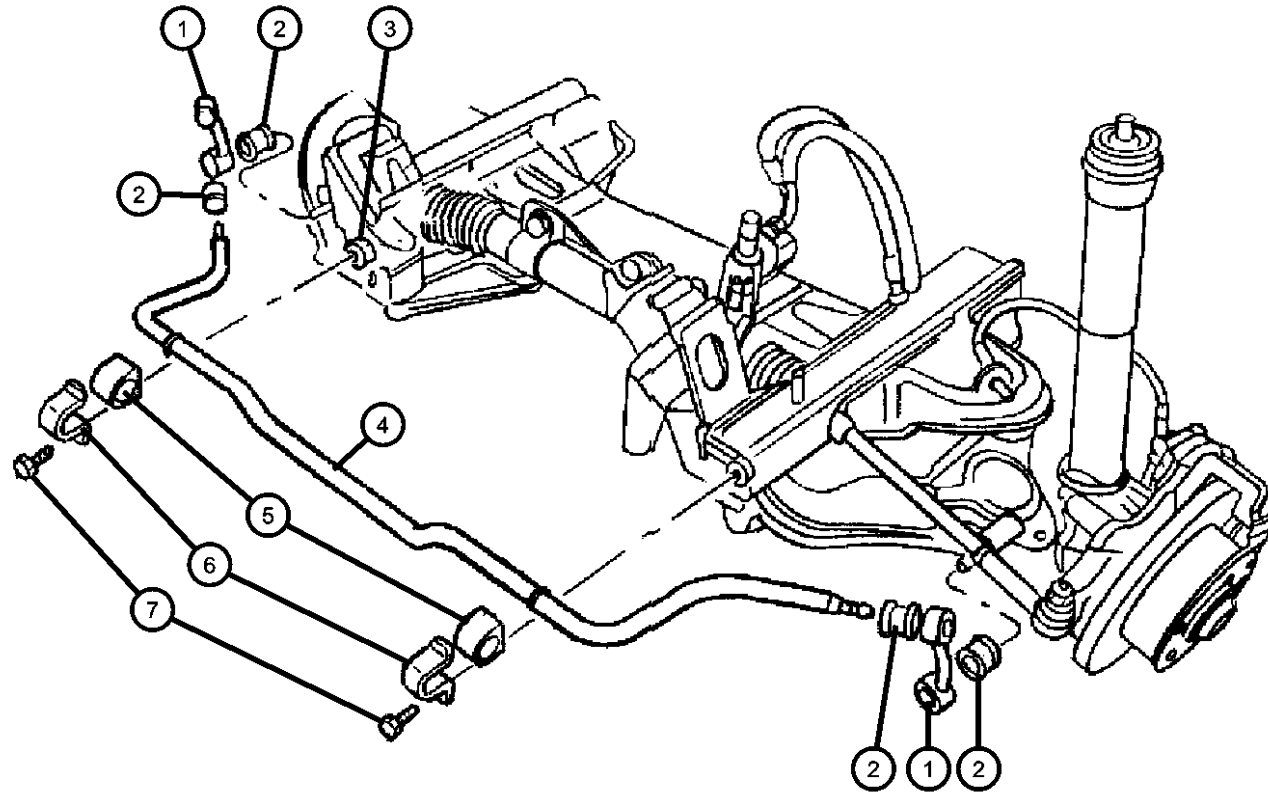
SPRINTER (VA)

SERIES	LINE	BODY	ENGINE	TRANSMISSION
L = LOWLINE	3 = HD DODGE 2WD 8 = HD DODGE 4WD 6 = Lt. Duty DODGE 4WD 2 = Med. Duty DODGE 2WD 7 = Med. Duty DODGE 4WD 4 = TRUCK	01 = CHASSIS FORWARD CONTROL W.B.1 02 = CAB CHASSIS WHEEL BASE 2 06 = CAB CHASSIS WHEEL BASE 6 11 = VAN WHEEL BASE 1 12 = VAN WHEEL BASE 2 51 = WAGON WHEEL BASE 1 52 = WAGON WHEEL BASE 2 14 = VAN WHEEL BASE 4 15 = VAN WHEEL BASE 5 54 = WAGON WHEEL BASE 4 55 = WAGON WHEEL BASE 5 56 = WAGON WHEEL BASE 6 16 = VAN WHEEL BASE 6	EX8 = 2.7L I5 Turbo Diesel Engine EX9 = 2.7L I5 Mercedes-Benz TD Engine	DGJ = 5-Speed Automatic MB Transmission DGZ = 4-Spd. Automatic MT643 Transmission

AR = use ase required - = Non illustrated part

2006 VA

Front Stabilizer Bar
Figure 2-130



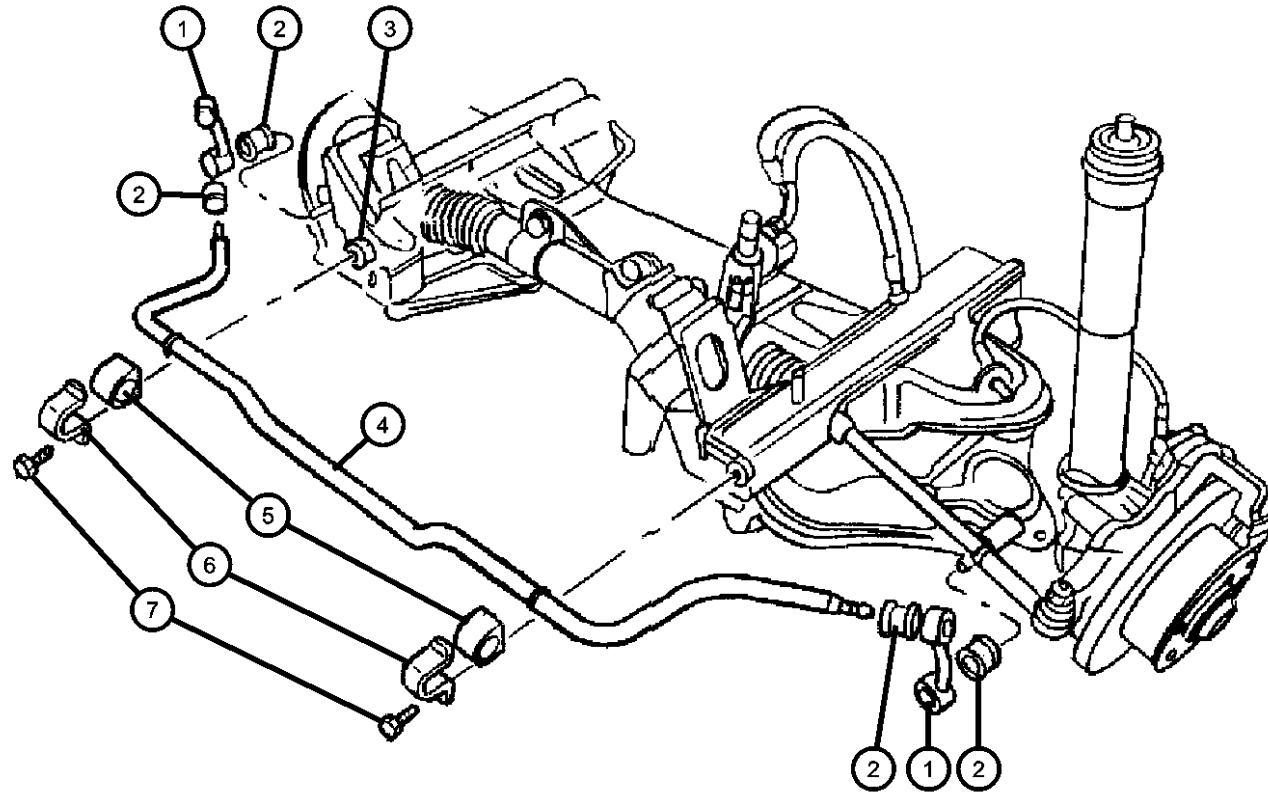
ITEM	PART NUMBER	QTY	LINE	SERIES	BODY	ENGINE	TRANS	TRIM	DESCRIPTION
		2	2, 6	L	11, 12, 14, 15, 16				
		2	2, 6	L	51, 52, 54, 55, 56				
		2	3, 7	L	02, 06				
		2	3, 7	L	12, 15, 16				
4									BAR, Front Sway
	05104576AA	1	3, 7	L	02, 06				[SHJ]
		1	3, 7	L	16, 12, 15				[SHJ]
	05127272AA	1	2, 6	L	11, 12, 14, 15, 16				[SHB]
	05128572AA	1	2, 6	L	01, 02, 06				[SHJ]
		1	2, 6	L	11, 12, 14, 15, 16				[SHJ]
		1	2, 6	L	51, 52, 54, 55, 56				[SHJ]
		1	2, 6	L	01, 02, 06				[SHA]
		1	2, 6	L	11, 12, 14, 15, 16				[SHA]
		1	2, 6	L	51, 52, 54, 55, 56				[SHA]
5									BUSHING, Stabilizer Bar
	05104065AA	2	2, 6	L	01, 02, 06				[SHJ]
		2	2, 6	L	11, 12, 14, 15, 16				[SHJ]
		2	2, 6	L	51, 52, 54, 55, 56				[SHJ]
	05104577AA	2	2, 6	L	01, 02, 06				[SHA]
		2	2, 6	L	11, 12, 14, 15, 16				[SHA]
		2	2, 6	L	51, 52, 54, 55, 56				[SHA]
		2	3, 7	L	02, 06				[SHJ]

SPRINTER (VA)

SERIES	LINE	BODY	ENGINE	TRANSMISSION
L = LOWLINE	3 = HD DODGE 2WD 8 = HD DODGE 4WD 6 = Lt. Duty DODGE 4WD 2 = Med. Duty DODGE 2WD 7 = Med. Duty DODGE 4WD 4 = TRUCK	01 = CHASSIS FORWARD CONTROL W.B.1 02 = CAB CHASSIS WHEEL BASE 2 06 = CAB CHASSIS WHEEL BASE 6 11 = VAN WHEEL BASE 1 12 = VAN WHEEL BASE 2 51 = WAGON WHEEL BASE 1 52 = WAGON WHEEL BASE 2 14 = VAN WHEEL BASE 4 15 = VAN WHEEL BASE 5 54 = WAGON WHEEL BASE 4 55 = WAGON WHEEL BASE 5 56 = WAGON WHEEL BASE 6 16 = VAN WHEEL BASE 6	EX8 = 2.7L I5 Turbo Diesel Engine EX9 = 2.7L I5 Mercedes-Benz TD Engine	DGJ = 5-Speed Automatic MB Transmission DGZ = 4-Spd. Automatic MT643 Transmission

AR = use ase required - = Non illustrated part

Front Stabilizer Bar
Figure 2-130



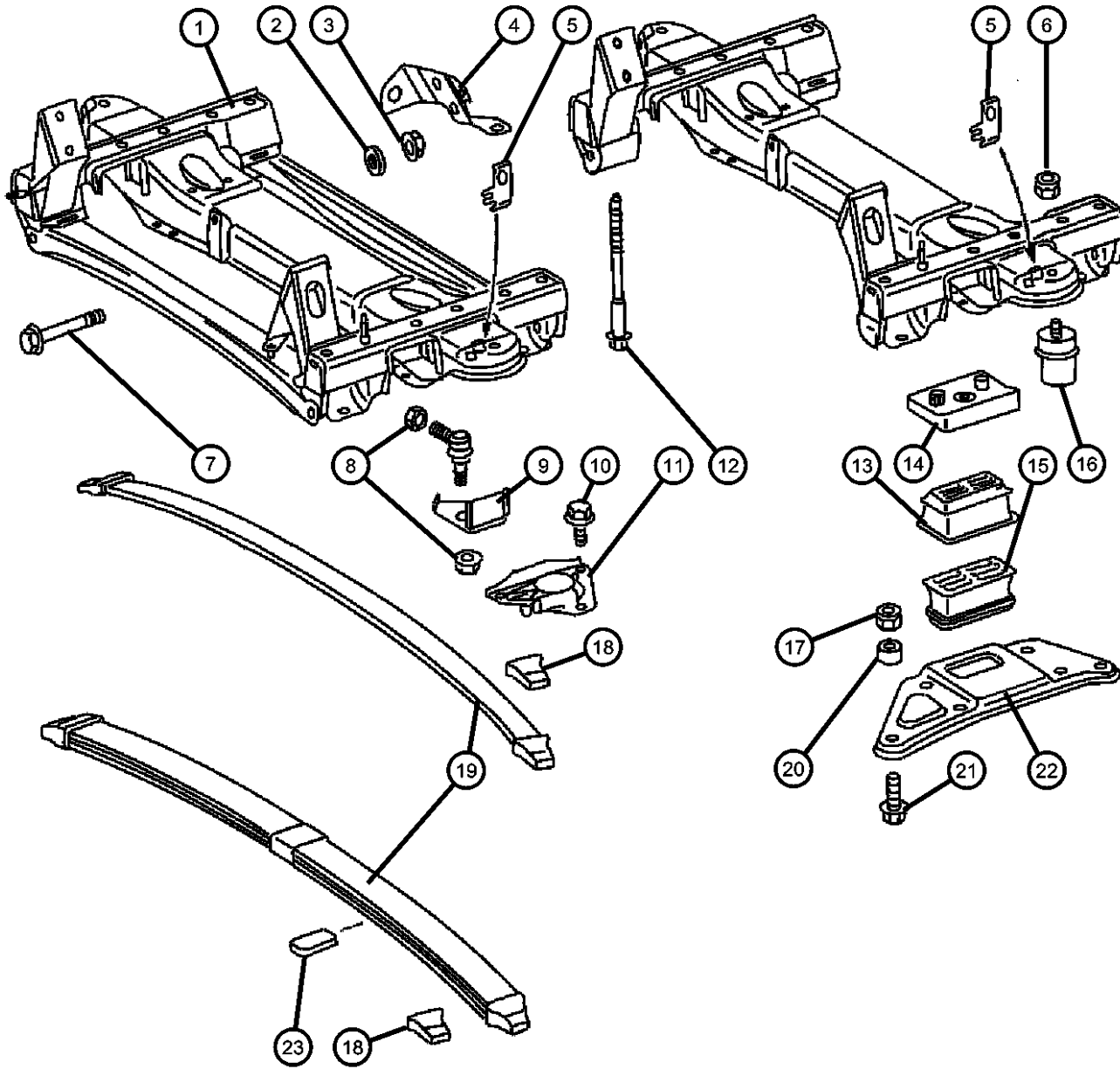
ITEM	PART NUMBER	QTY	LINE	SERIES	BODY	ENGINE	TRANS	TRIM	DESCRIPTION
		2	3, 7	L	12, 15, 16				[SHJ]
	05127273AA	2	2, 6	L	11, 12, 14, 15, 16				[SHB]
6									RETAINER, Stabilizer Bar Grommet
	05104067AA	2	2, 6	L	01, 02, 06				[SHA,SHJ]
		2	2, 6	L	11, 12, 14, 15, 16				[SHA,SHJ]
		2	2, 6	L	51, 52, 54, 55, 56				[SHA,SHJ]
		2	3, 7	L	06, 02				[SHJ]
		2	3, 7	L	12, 15, 16				[SHJ]
	05127274AA	2	2, 6	L	11, 12, 14, 15, 16				[SHB]
7									BOLT
	05104656AA	2	3, 7	L	12, 15, 16				
		2	6, 2	L	01, 02, 06				
		2	2, 6	L	11, 12, 14, 15, 16				
		2	2, 6	L	51, 52, 54, 55, 56				
		2	3, 7	L	02, 06				
	05140018AA	4	2, 6	L	11, 12, 14, 15, 16				SHB
-8	05140017AA	2	2, 6	L	11, 12, 14, 15, 16				PLATE, Stabilizer Bar Shim

SPRINTER (VA)

SERIES	LINE	BODY	ENGINE	TRANSMISSION
L = LOWLINE	3 = HD DODGE 2WD 8 = HD DODGE 4WD 6 = Lt. Duty DODGE 4WD 2 = Med. Duty DODGE 2WD 7 = Med. Duty DODGE 4WD 4 = TRUCK	01 = CHASSIS FORWARD CONTROL W.B.1 02 = CAB CHASSIS WHEEL BASE 2 06 = CAB CHASSIS WHEEL BASE 6 11 = VAN WHEEL BASE 1 12 = VAN WHEEL BASE 2 51 = WAGON WHEEL BASE 1 52 = WAGON WHEEL BASE 2 14 = VAN WHEEL BASE 4 15 = VAN WHEEL BASE 5 54 = WAGON WHEEL BASE 4 55 = WAGON WHEEL BASE 5 56 = WAGON WHEEL BASE 6 16 = VAN WHEEL BASE 6	EX8 = 2.7L I5 Turbo Diesel Engine EX9 = 2.7L I5 Mercedes-Benz TD Engine	DGJ = 5-Speed Automatic MB Transmission DGZ = 4-Spd. Automatic MT643 Transmission

AR = use ase required - = Non illustrated part

**Front Spring
Figure 2-140**



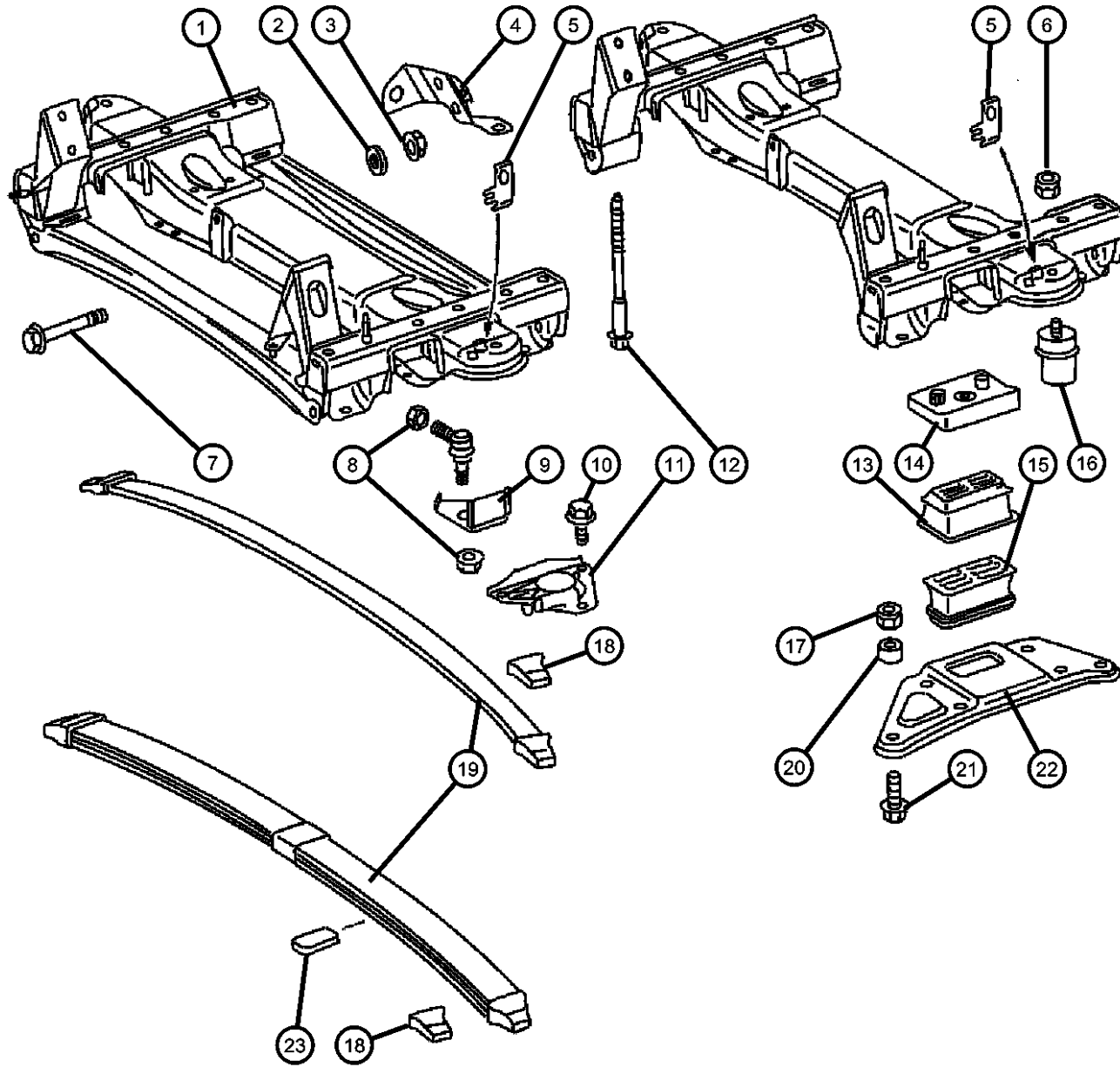
ITEM	PART NUMBER	QTY	LINE	SERIES	BODY	ENGINE	TRANS	TRIM	DESCRIPTION
1	05104074AA	1	2, 6						CROSSMEMBER, Front Axle
	05139740AA	1							WASHER, (NOT SERVICED)
2	05139740AA	1							NUT
3	06104718AA	2	2, 6	L	01, 02, 06				
		2	2, 6	L	11, 12, 14, 15, 16				
		2	2, 6	L	51, 52, 54, 55, 56				
		2	3, 7	L	02, 06				
		2	3, 7	L	12, 15, 16				
4	05119553AA	1	2, 6	L	01, 02, 06				BRACKET, Steering Gear
		1	2, 6	L	11, 12, 14, 15, 16				
		1	2, 6	L	54, 55, 56, 51, 52				
		1	3, 7	L	02, 06				
		1	3, 7	L	12, 15, 16				
5		1							BRACKET, (NOT SERVICED)
6	05132896AA	6	2, 6	L	11, 12, 14, 15, 16				NUT
		6	2, 6	L	51, 52, 54, 55, 56				
7	05125714AA	4	2, 6	L	01, 02, 06				SCREW

SPRINTER (VA)

SERIES	LINE	BODY	ENGINE	TRANSMISSION
L = LOWLINE	3 = HD DODGE 2WD 8 = HD DODGE 4WD 6 = Lt. Duty DODGE 4WD 2 = Med. Duty DODGE 2WD 7 = Med. Duty DODGE 4WD 4 = TRUCK	01 = CHASSIS FORWARD CONTROL W.B.1 02 = CAB CHASSIS WHEEL BASE 2 06 = CAB CHASSIS WHEEL BASE 6 11 = VAN WHEEL BASE 1 12 = VAN WHEEL BASE 2 51 = WAGON WHEEL BASE 1 52 = WAGON WHEEL BASE 2 14 = VAN WHEEL BASE 4 15 = VAN WHEEL BASE 5 54 = WAGON WHEEL BASE 4 55 = WAGON WHEEL BASE 5 56 = WAGON WHEEL BASE 6 16 = VAN WHEEL BASE 6	EX8 = 2.7L I5 Turbo Diesel Engine EX9 = 2.7L I5 Mercedes-Benz TD Engine	DGJ = 5-Speed Automatic MB Transmission DGZ = 4-Spd. Automatic MT643 Transmission

AR = use ase required - = Non illustrated part

Front Spring
Figure 2-140



ITEM	PART NUMBER	QTY	LINE	SERIES	BODY	ENGINE	TRANS	TRIM	DESCRIPTION
		4	2, 6	L	11, 12, 14, 15, 16				
		4	2, 6	L	51, 52, 54, 55, 56				
		4	3, 7	L	02, 06				
		4	3, 7	L	12, 15, 16				
8									NUT
	05125761AA	2	3, 7	L	02, 06				
		2	3, 7	L	12, 15, 16				
		2	2, 6	L	01, 02, 06				
		2	2, 6	L	16, 11, 12, 14, 15				
		2	2, 6	L	51, 52, 54, 55, 56				
9									PLATE, Backing
	05119249AA	2	2, 6	L	01, 02, 06				
		2	2, 6	L	11, 12, 14, 15, 16				
		2	2, 6	L	51, 52, 54, 55, 56				
		2	3, 7	L	02, 06				
		2	3, 7	L	12, 15, 16				
10									BOLT
	05126233AA	6	2, 6	L	01, 02, 06				
		6	2, 6	L	11, 12, 14, 15, 16				
		6	2, 6	L	51, 52, 54, 55, 56				
		6	3, 7	L	02, 06				
		6	3, 7	L	12, 15, 16				
11									PLATE, Stabilizer Bar With [SHA,SHJ,WDG], Right
	05104064AA	1	2, 6	L	01, 02, 06				

SPRINTER (VA)

SERIES

L = LOWLINE

LINE

3 = HD DODGE 2WD
8 = HD DODGE 4WD
6 = Lt. Duty DODGE 4WD
2 = Med. Duty DODGE 2WD
7 = Med. Duty DODGE 4WD
4 = TRUCK

BODY

01 = CHASSIS FORWARD CONTROL W.B.1
02 = CAB CHASSIS WHEEL BASE 2
06 = CAB CHASSIS WHEEL BASE 6
11 = VAN WHEEL BASE 1
12 = VAN WHEEL BASE 2
51 = WAGON WHEEL BASE 1
52 = WAGON WHEEL BASE 2
14 = VAN WHEEL BASE 4
15 = VAN WHEEL BASE 5
54 = WAGON WHEEL BASE 4
55 = WAGON WHEEL BASE 5
56 = WAGON WHEEL BASE 6
16 = VAN WHEEL BASE 6

ENGINE

EX8 = 2.7L I5 Turbo Diesel Engine
EX9 = 2.7L I5 Mercedes-Benz TD Engine

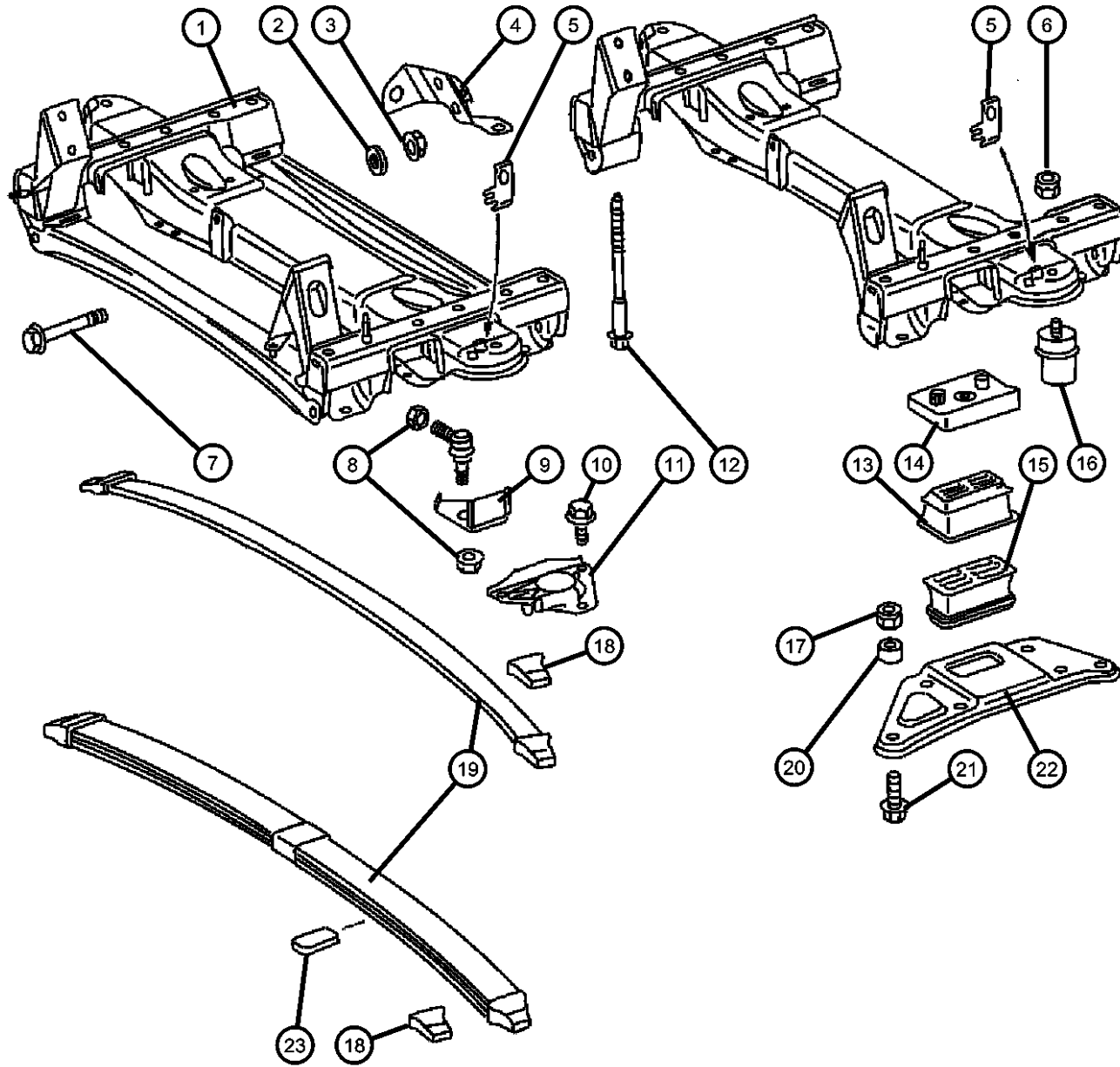
TRANSMISSION

DGJ = 5-Speed Automatic MB Transmission
DGZ = 4-Spd. Automatic MT643 Transmission

AR = use ase required - = Non illustrated part

2006 VA

Front Spring
Figure 2-140



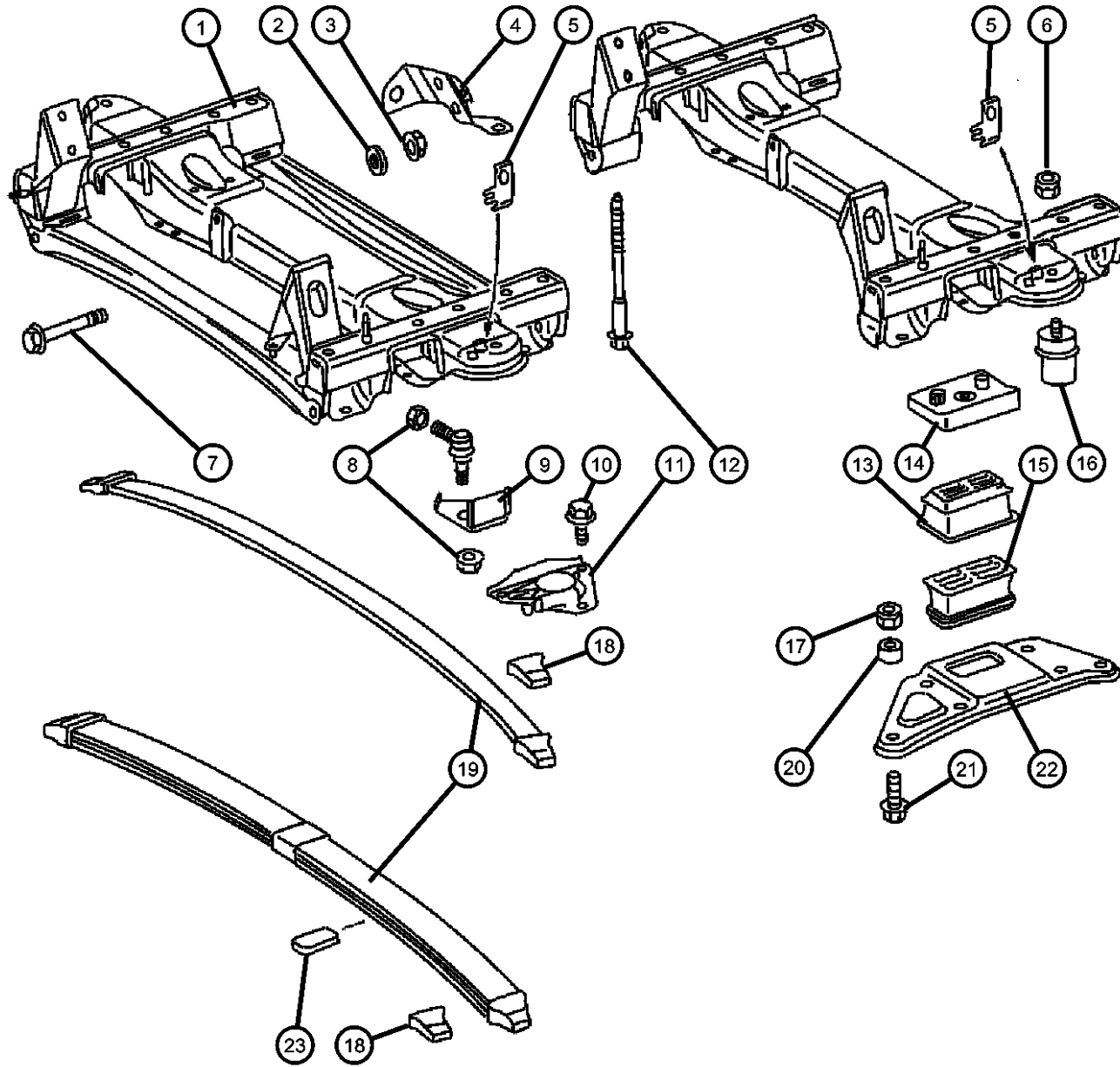
ITEM	PART NUMBER	QTY	LINE	SERIES	BODY	ENGINE	TRANS	TRIM	DESCRIPTION
	05118705AA	1	2, 6	L	51, 52, 54, 55, 56				Without [SHA,SHJ,WDG], Right or Left
		1	2, 6	L	11, 12, 14, 15, 16				With [SHA,SHJ,WDG], Right
		1	2, 6	L	51, 52, 54, 55, 56				With [SHA,SHJ,WDG], Right
		1	3, 7	L	02, 06				[SHJ], Right
		1	3, 7	L	12, 15, 16				[SHJ], Right
		1	2, 6	L	01, 02, 06				Without [SHA,SHJ,WDG], Right or Left
		1	2, 6	L	11, 12, 14, 15, 16				Without [SHA,SHJ,WDG], Right or Left
		1	3, 7	L	02, 06				Without [SHJ], Right or Left
		1	3, 7	L	12, 15, 16				Without [SHJ], Right or Left
	05118707AA	1	2, 6	L	01, 02, 06				With [SHA,SHJ,WDG], Left
		1	2, 6	L	11, 12, 14, 15, 16				With [SHA,SHJ,WDG], Left
		1	2, 6	L	52, 54, 55, 56, 51				With [SHA,SHJ,WDG], Left
		1	3, 7	L	02, 06				[SHJ], Left
		1	3, 7	L	12, 15, 16				[SHJ], Left
12									SCREW AND WASHER, Hex
	05125726AA	8	2, 6	L	01, 02, 06				WDG+(4Z1%4XS)
	05125725AA	8	2, 6	L	01, 02, 06				Without WDG, 4Z1%4XS
		8	2, 6	L	11, 12, 14, 15, 16				Without WDG, 4Z1%4XS
		8	2, 6	L	55, 56, 51, 52, 54				Without WDG, 4Z1%4XS
		8	2, 6	L	11, 12, 14, 15, 16				WDG+(4Z1%4XS)
		8	2, 6	L	51, 52, 54, 55, 56				WDG+(4Z1%4XS)
		8	3, 7	L	02, 06				ST

SPRINTER (VA)

SERIES	LINE	BODY	ENGINE	TRANSMISSION
L = LOWLINE	3 = HD DODGE 2WD 8 = HD DODGE 4WD 6 = Lt. Duty DODGE 4WD 2 = Med. Duty DODGE 2WD 7 = Med. Duty DODGE 4WD 4 = TRUCK	01 = CHASSIS FORWARD CONTROL W.B.1 02 = CAB CHASSIS WHEEL BASE 2 06 = CAB CHASSIS WHEEL BASE 6 11 = VAN WHEEL BASE 1 12 = VAN WHEEL BASE 2 51 = WAGON WHEEL BASE 1 52 = WAGON WHEEL BASE 2 14 = VAN WHEEL BASE 4 15 = VAN WHEEL BASE 5 54 = WAGON WHEEL BASE 4 55 = WAGON WHEEL BASE 5 56 = WAGON WHEEL BASE 6 16 = VAN WHEEL BASE 6	EX8 = 2.7L I5 Turbo Diesel Engine EX9 = 2.7L I5 Mercedes-Benz TD Engine	DGJ = 5-Speed Automatic MB Transmission DGZ = 4-Spd. Automatic MT643 Transmission

AR = use ase required - = Non illustrated part

Front Spring
Figure 2-140



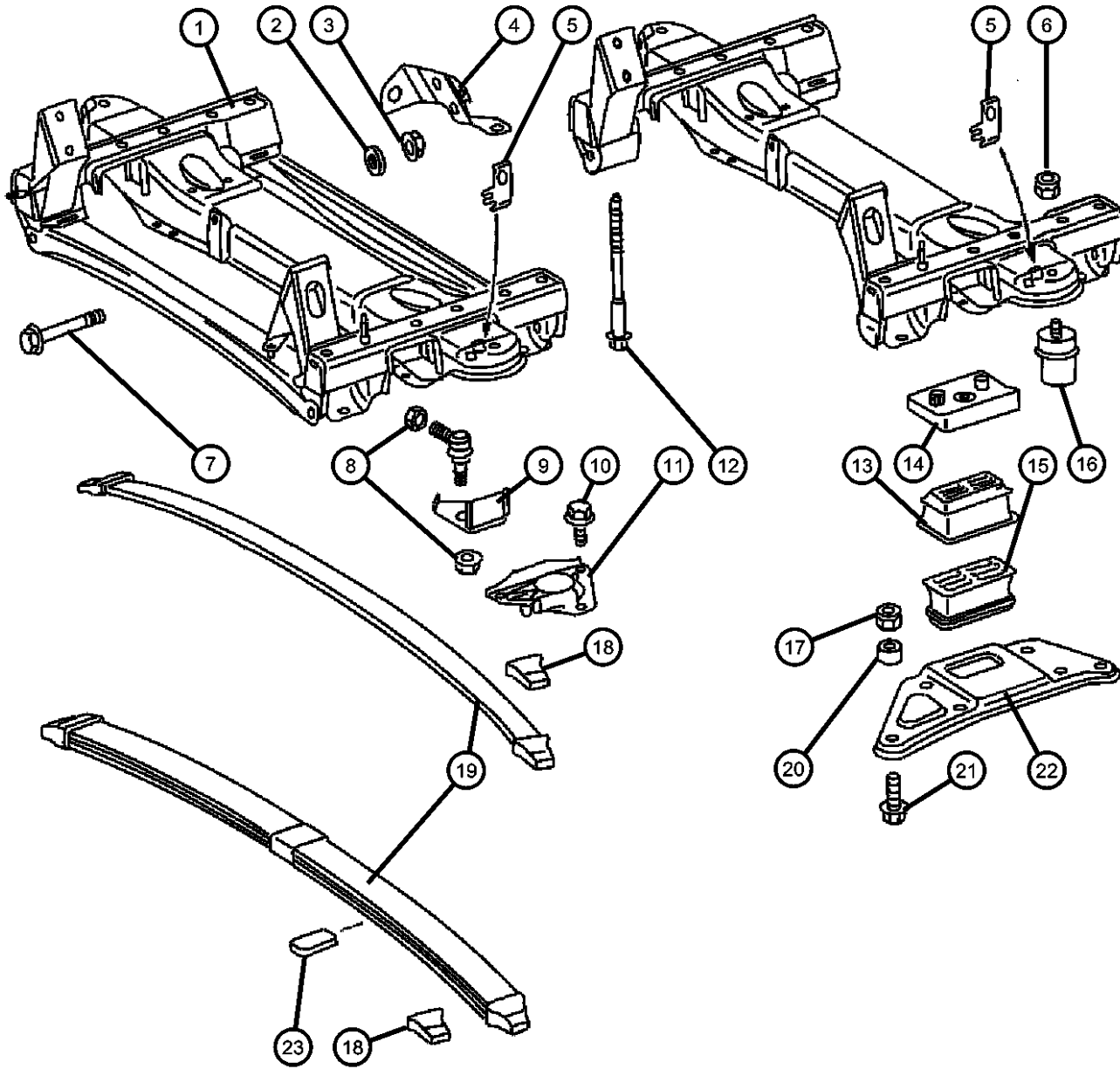
ITEM	PART NUMBER	QTY	LINE	SERIES	BODY	ENGINE	TRANS	TRIM	DESCRIPTION
		8	3, 7	L	12, 15, 16				ST
13	05139190AB	2							SEAT, Spring
	05139558AA	2							To Frame with SV#500323/03
									To Frame with SV#500323/02
14	05139552AA	1							SHIM, Spring Seat
	05139554AA	1							Left
									Right
15	05139188AA	1							SEAT, Spring
	05139189AA	1							Left
									Right
16	05139555AA	2							BUMPER, Suspension Jounce
17									NUT
	06104717AA	8	2, 6	L	01, 02, 06				M10x1.5
		8	2, 6	L	11, 12, 14, 15, 16				M10x1.5
		8	2, 6	L	51, 52, 54, 55, 56				M10x1.5
		8	3, 7	L	02, 06				M10x1.5
		8	3, 7	L	12, 15, 16				M10x1.5
	06104718AA	8	2, 6	L	01, 02, 06				M12x1.5
		8	2, 6	L	11, 12, 14, 15, 16				M12x1.5
		8	2, 6	L	51, 52, 54, 55, 56				M12x1.5
		8	3, 7	L	02, 06				M12x1.5
		8	3, 7	L	12, 15, 16				M12x1.5
18	05139556AA	2							SEAT, Spring
19	05139112AA	1							SPRING, Front Leaf
20	05139737AA	4							BUSHING, Spring

SPRINTER (VA)

SERIES	LINE	BODY	ENGINE	TRANSMISSION
L = LOWLINE	3 = HD DODGE 2WD 8 = HD DODGE 4WD 6 = Lt. Duty DODGE 4WD 2 = Med. Duty DODGE 2WD 7 = Med. Duty DODGE 4WD 4 = TRUCK	01 = CHASSIS FORWARD CONTROL W.B.1 02 = CAB CHASSIS WHEEL BASE 2 06 = CAB CHASSIS WHEEL BASE 6 11 = VAN WHEEL BASE 1 12 = VAN WHEEL BASE 2 51 = WAGON WHEEL BASE 1 52 = WAGON WHEEL BASE 2 14 = VAN WHEEL BASE 4 15 = VAN WHEEL BASE 5 54 = WAGON WHEEL BASE 4 55 = WAGON WHEEL BASE 5 56 = WAGON WHEEL BASE 6 16 = VAN WHEEL BASE 6	EX8 = 2.7L I5 Turbo Diesel Engine EX9 = 2.7L I5 Mercedes-Benz TD Engine	DGJ = 5-Speed Automatic MB Transmission DGZ = 4-Spd. Automatic MT643 Transmission

AR = use ase required - = Non illustrated part

Front Spring
Figure 2-140



ITEM	PART NUMBER	QTY	LINE	SERIES	BODY	ENGINE	TRANS	TRIM	DESCRIPTION
21	06104233AA	4							BOLT, Hex Head
22	05139186AA	1							PLATE, Suspension Left
	05139187AA	1							Right
23	05139187AA	1							SHIM, (NOT SERVICED)

SPRINTER (VA)

SERIES

L = LOWLINE

LINE

3 = HD DODGE 2WD
 8 = HD DODGE 4WD
 6 = Lt. Duty DODGE 4WD
 2 = Med. Duty DODGE 2WD
 7 = Med. Duty DODGE 4WD
 4 = TRUCK

BODY

01 = CHASSIS FORWARD CONTROL W.B.1
 02 = CAB CHASSIS WHEEL BASE 2
 06 = CAB CHASSIS WHEEL BASE 6
 11 = VAN WHEEL BASE 1
 12 = VAN WHEEL BASE 2
 51 = WAGON WHEEL BASE 1
 52 = WAGON WHEEL BASE 2
 14 = VAN WHEEL BASE 4
 15 = VAN WHEEL BASE 5
 54 = WAGON WHEEL BASE 4
 55 = WAGON WHEEL BASE 5
 56 = WAGON WHEEL BASE 6
 16 = VAN WHEEL BASE 6

ENGINE

EX8 = 2.7L I5 Turbo Diesel Engine
 EX9 = 2.7L I5 Mercedes-Benz TD Engine

TRANSMISSION

DGJ = 5-Speed Automatic MB Transmission
 DGZ = 4-Spd. Automatic MT643 Transmission

AR = use ase required - = Non illustrated part

Group - 3

Rear Axle

Group - 3 Rear Axle

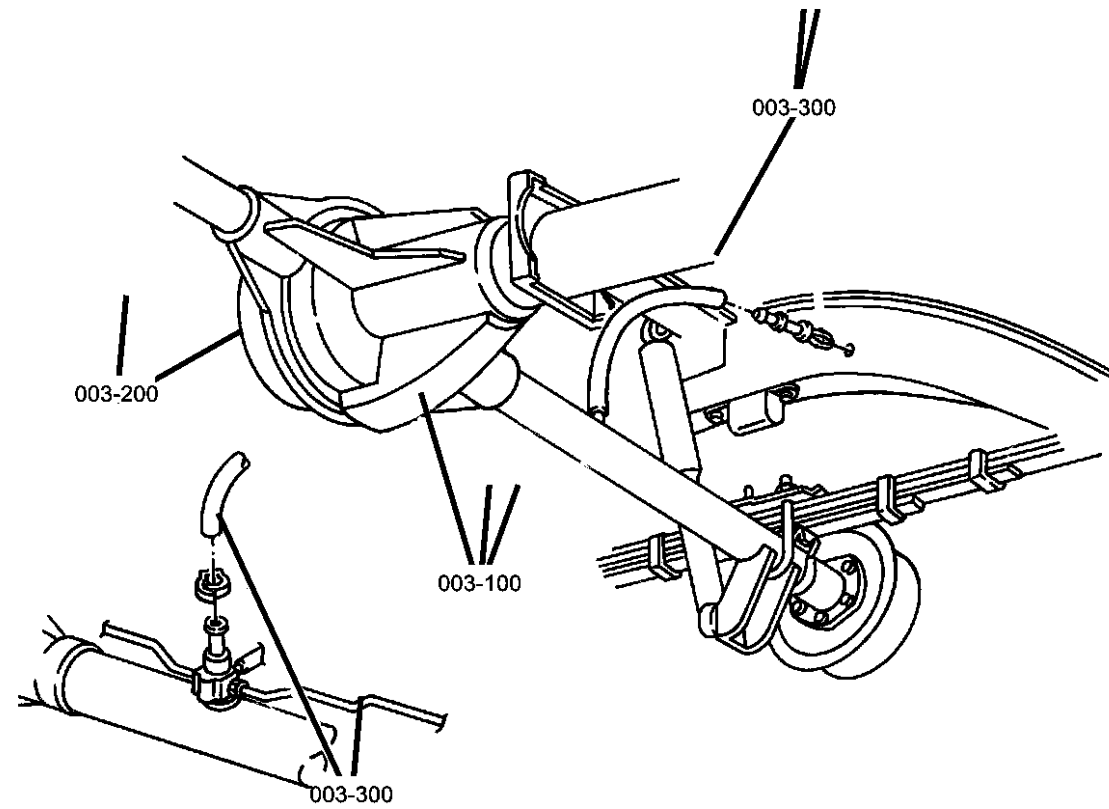


Illustration Title

Group-Fig. No.

Rear Axle

Differential Assembly,Rear Fig. 3 - 110

Differential and Housing

Internal Differential Parts,Rear Fig. 3 - 210

Differential Housing,Rear Fig. 3 - 220

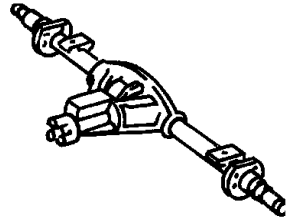
Axle Shaft and Wheel Bearings,Single Rear Wheels Fig. 3 - 230

Axle Shaft and Wheel Bearings,Dual Rear Wheels Fig. 3 - 240

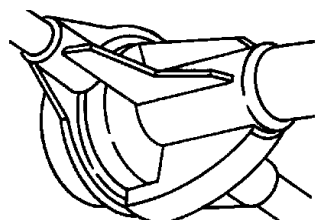
Rear Axle Vent

Vent,Rear Axle Fig. 3 - 310

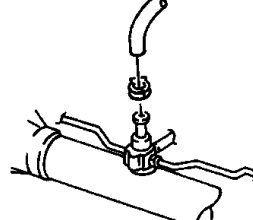
003-100
Rear Axle



003-200
Differential and Housing



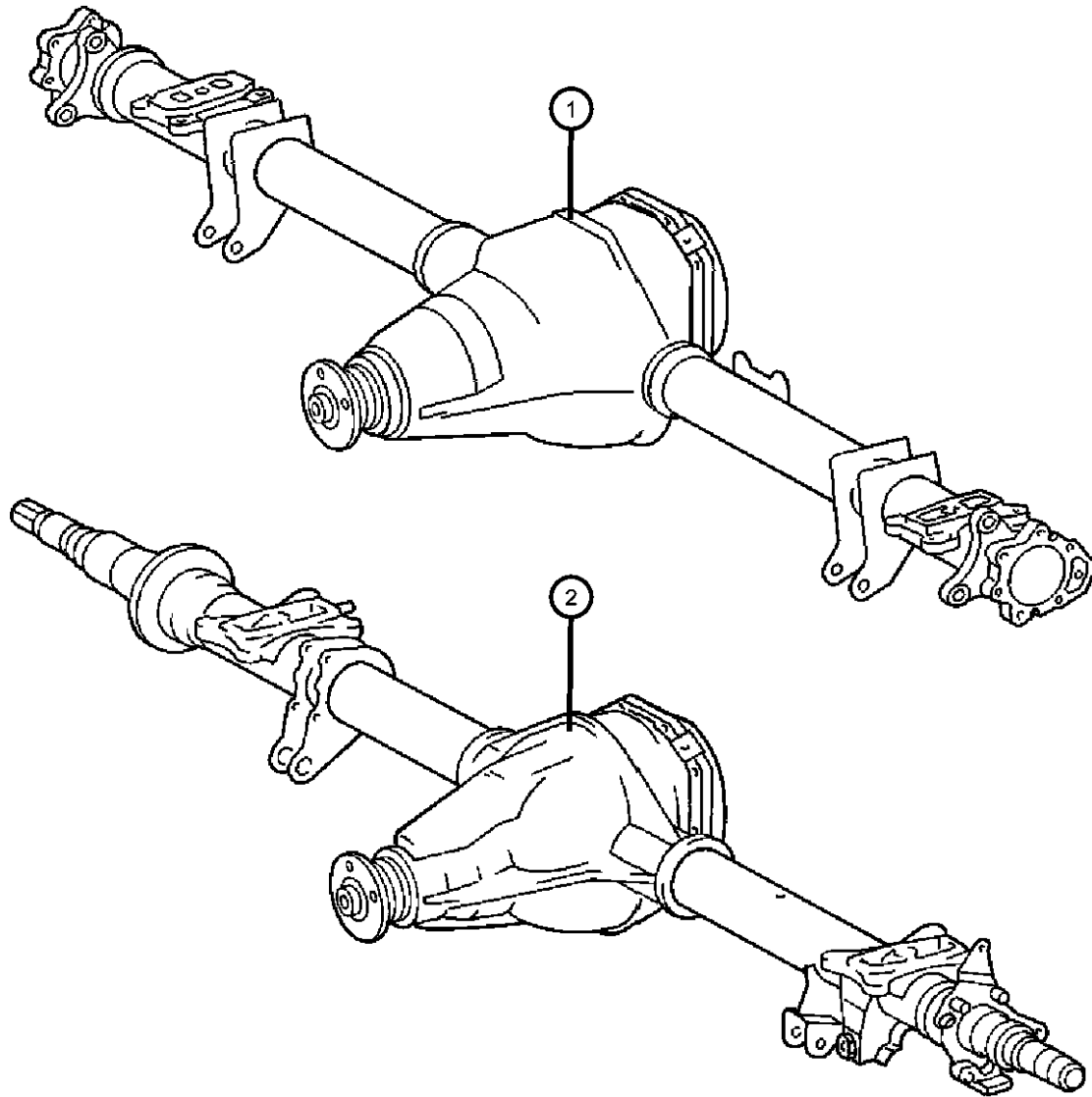
003-300
Rear Axle Vent



Differential Assembly,Rear
Figure 3-110

ITEM	PART NUMBER	QTY	LINE	SERIES	BODY	ENGINE	TRANS	TRIM	DESCRIPTION
------	-------------	-----	------	--------	------	--------	-------	------	-------------

Note: Sales Codes:
 DRW means Dual Rear Wheels
 SRW means Single Rear Wheels
 [BGK]=4-WHEEL ANTI-LOCK BRAKES
 [DME]=Axle Ratio - 3.72
 [DMF]=Axle Ratio - 4.11
 [4JR]=Dual Rear Wheel Chassis With/16" TIRES



1	05137591AA	1	2, 6						AXLE, Service Rear [DMF + BGK] SRW
	05136033AA								Mopar SAE 90 Gear Lube Quart for Sprinter Axles
	05137755AA	1	2, 6	L					[DME + BGK] SRW
	05136033AA								Mopar SAE 90 Gear Lube Quart for Sprinter Axles
2	05140855AB	1	3, 7	L	02, 06				AXLE, Service Rear [DMF,4JR] With 16 Inch DRW
		1	3, 7	L	12, 15, 16				[DMF,4JR] With 16 Inch DRW
	05140856AB	1	3, 7	L	02, 06				[DME,4JR] With 16 Inch DRW
	05136033AA								Mopar SAE 90 Gear Lube Quart for Sprinter Axles
		1	3, 7	L	12, 15, 16				[DME,4JR] With 16 Inch DRW
	05136033AA								Mopar SAE 90 Gear Lube Quart for Sprinter Axles
	05135823AA	1	3, 7	L	12, 15, 16				[DME] With 15 Inch DRW
	05136033AA								Mopar SAE 90 Gear Lube Quart for Sprinter Axles
	05135928AA	1	3, 7	L					[DMF] With 15 Inch DRW
	05136033AA								Mopar SAE 90 Gear Lube Quart for Sprinter Axles

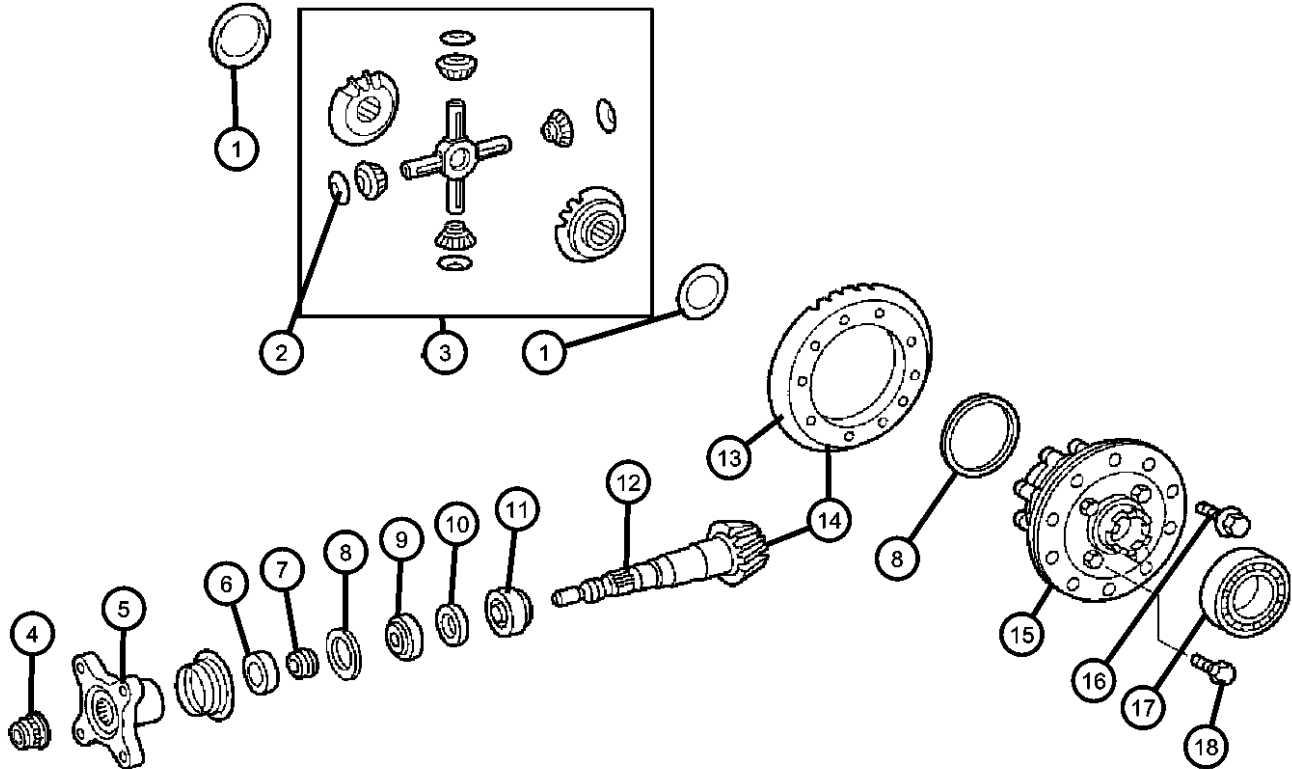
SPRINTER (VA)

SERIES	LINE	BODY	ENGINE	TRANSMISSION
L = LOWLINE	3 = HD DODGE 2WD 8 = HD DODGE 4WD 6 = Lt. Duty DODGE 4WD 2 = Med. Duty DODGE 2WD 7 = Med. Duty DODGE 4WD 4 = TRUCK	01 = CHASSIS FORWARD CONTROL W.B.1 02 = CAB CHASSIS WHEEL BASE 2 06 = CAB CHASSIS WHEEL BASE 6 11 = VAN WHEEL BASE 1 12 = VAN WHEEL BASE 2 51 = WAGON WHEEL BASE 1 52 = WAGON WHEEL BASE 2 14 = VAN WHEEL BASE 4 15 = VAN WHEEL BASE 5 54 = WAGON WHEEL BASE 4 55 = WAGON WHEEL BASE 5 56 = WAGON WHEEL BASE 6 16 = VAN WHEEL BASE 6	EX8 = 2.7L I5 Turbo Diesel Engine EX9 = 2.7L I5 Mercedes-Benz TD Engine	DGJ = 5-Speed Automatic MB Transmission DGZ = 4-Spd. Automatic MT643 Transmission

AR = use ase required - = Non illustrated part

2006 VA

Internal Differential Parts,Rear
Figure 3-210



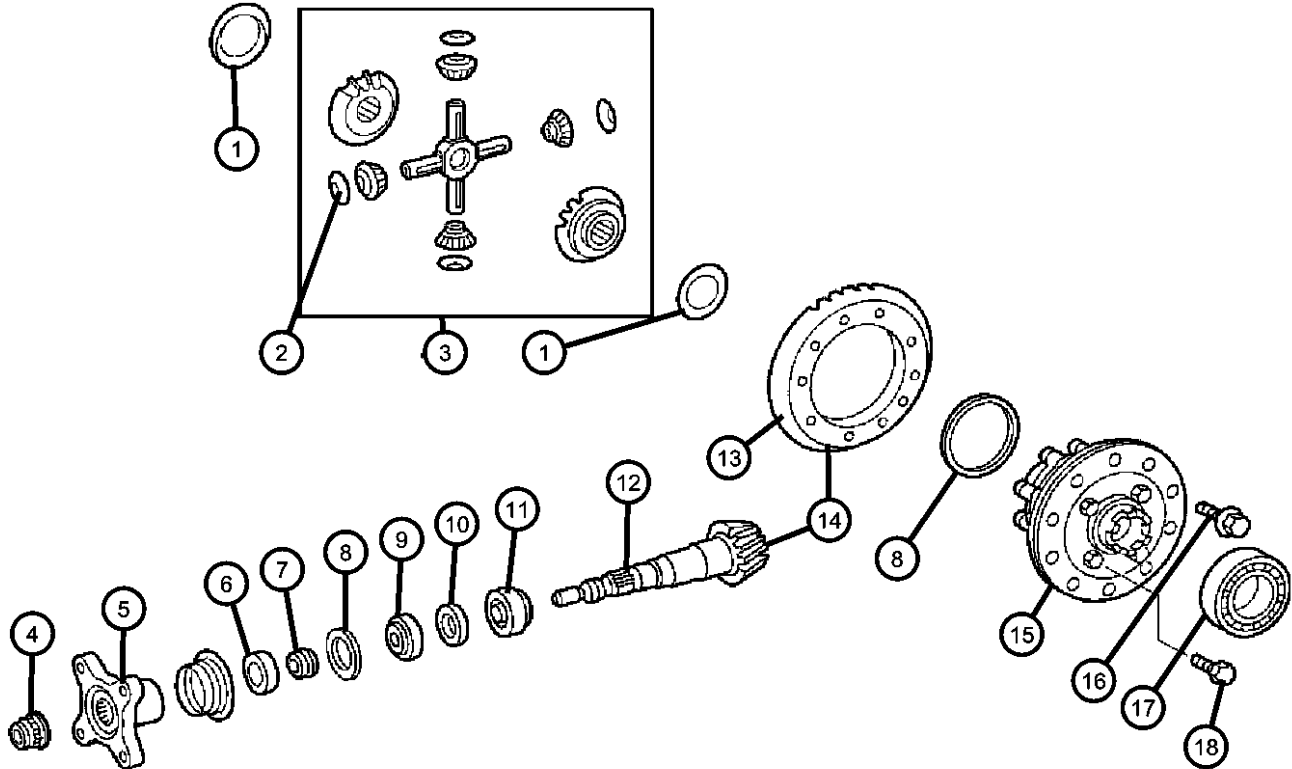
ITEM	PART NUMBER	QTY	LINE	SERIES	BODY	ENGINE	TRANS	TRIM	DESCRIPTION
Note:Sales Codes [DME]=3.72 Axle Ratio [DMF]=4.10 Axle Ratio									
1									WASHER, Side Gear Thrust
	05136819AA	AR	2, 3, 6, 7	L					[1.40mm Brass]
	05136820AA	AR	3, 7	L					[1.40mm Steel]
	05136822AA	AR	3, 7	L					[1.50mm Steel]
	05136823AA	AR	3, 7	L					[1.50mm Brass]
	05136826AA	AR	3, 7	L					[1.60mm Steel]
	05136792AA	AR	3, 7	L					[1.30mm Steel]
	05136810AA	AR	3, 7	L					[1.30mm Brass]
	05136827AA	AR	3, 7	L					[1.60mm Brass]
	05136829AA	AR	7, 3	L					[1.70mm Steel]
	05136830AA	AR	3, 7	L					[1.70mm Brass]
	05136834AA	AR	3, 7	L					[1.80mm Steel]
	05136835AA	AR	3, 7	L					[1.80mm Brass]
	05136841AA	AR	3, 7	L					[1.90mm Steel]
2									WASHER, Pinion Gear
	05136148AA	4	3, 7						Thrust
		4	2, 6						Thrust
3	05137602AA	1	2, 3, 6, 7						GEAR PACKAGE, Differential
4									NUT, Pinion Yoke
	05103957AA	1							Up To Axle L538154 or X004694
	05103958AA	1							From Axle L538155 or X004695
5	05134541AA	1		L					FLANGE, Driveshaft Yoke
6	05103966AA	1		L					RING, Pinion flange
7	68000011AA	1		L					SPACER, Drive Pinion Bearing
8									SHIM, Axle

SPRINTER (VA)

SERIES	LINE	BODY	ENGINE	TRANSMISSION
L = LOWLINE	3 = HD DODGE 2WD 8 = HD DODGE 4WD 6 = Lt. Duty DODGE 4WD 2 = Med. Duty DODGE 2WD 7 = Med. Duty DODGE 4WD 4 = TRUCK	01 = CHASSIS FORWARD CONTROL W.B.1 02 = CAB CHASSIS WHEEL BASE 2 06 = CAB CHASSIS WHEEL BASE 6 11 = VAN WHEEL BASE 1 12 = VAN WHEEL BASE 2 51 = WAGON WHEEL BASE 1 52 = WAGON WHEEL BASE 2 14 = VAN WHEEL BASE 4 15 = VAN WHEEL BASE 5 54 = WAGON WHEEL BASE 4 55 = WAGON WHEEL BASE 5 56 = WAGON WHEEL BASE 6 16 = VAN WHEEL BASE 6	EX8 = 2.7L I5 Turbo Diesel Engine EX9 = 2.7L I5 Mercedes-Benz TD Engine	DGJ = 5-Speed Automatic MB Transmission DGZ = 4-Spd. Automatic MT643 Transmission

AR = use ase required - = Non illustrated part

Internal Differential Parts,Rear
Figure 3-210



ITEM	PART NUMBER	QTY	LINE	SERIES	BODY	ENGINE	TRANS	TRIM	DESCRIPTION
	05134415AA	1	2, 3, 6, 7						[4.90mm]
	05134416AA	1	2, 3, 6, 7						[4.92mm]
	05134417AA	1	2, 3, 6, 7						[4.94mm]
	05134422AB	1	2, 3, 6, 7						[5.06mm]
	05134423AA	1	2, 3, 6, 7						[5.12mm]
	05134425AA	1	2, 3, 6, 7		L				[5.20mm]
	05134418AB	1	2, 3, 6, 7						[4.96mm]
	05134419AA	1	2, 3, 6, 7						[5.00mm]
	05134420AA	1	3, 6, 7, 2						[5.02mm]
	05134421AA	1	2, 3, 6, 7						[5.04mm]
	05134435AA	1	2, 3, 6, 7		L				[5.78mm]
	05134436AA	1	6, 7, 2, 3		L				[5.80mm]
	05134437AA	1	2, 3, 6, 7		L				[5.84mm]
	05134438AA	1	2, 3, 6, 7		L				[5.88mm]
	05134439AA	1	2, 3, 6, 7		L				[5.92mm]
	05134427AA	1	2, 3, 6, 7		L				[5.24mm]
	05134428AA	1	2, 3, 6, 7		L				[5.28mm]
	05134429AA	1	2, 3, 6, 7		L				[5.32mm]
	05134430AA	1	2, 3, 6, 7		L				[5.36mm]
	05134431AA	1	2, 3, 6, 7		L				[5.40mm]
	05134432AA	1	2, 3, 6, 7		L				[5.50mm]
	05134433AA	1	2, 3, 6, 7		L				[5.60mm]
	05134434AA	1	2, 3, 6, 7		L				[5.72mm]
	05134440AA	1	2, 3, 6, 7						[5.96mm]
	05134441AA	1	2, 3, 6, 7		L				[6.00mm]
	05134466AB	1	2, 3, 6, 7		L				[6.10mm]
	05134467AA	1	2, 3, 6, 7		L				[6.20mm]

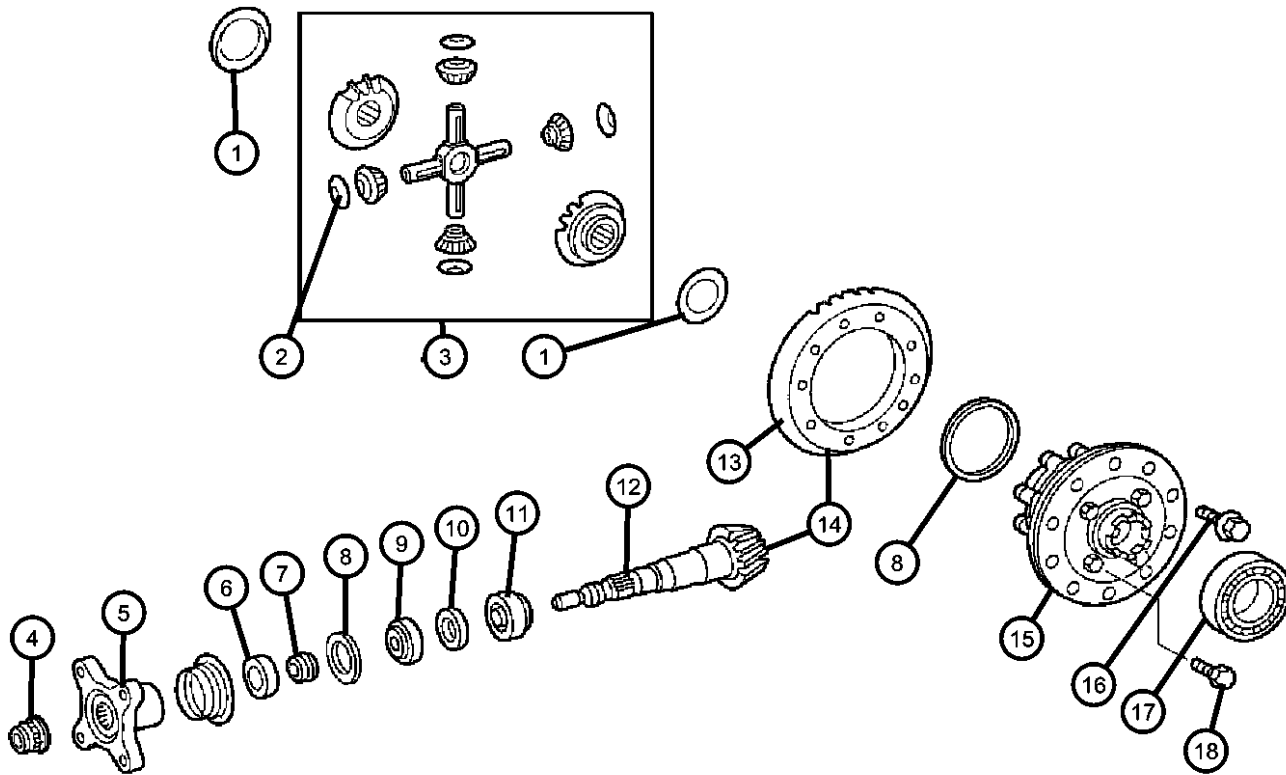
SPRINTER (VA)

SERIES	LINE	BODY	ENGINE	TRANSMISSION
L = LOWLINE	3 = HD DODGE 2WD 8 = HD DODGE 4WD 6 = Lt. Duty DODGE 4WD 2 = Med. Duty DODGE 2WD 7 = Med. Duty DODGE 4WD 4 = TRUCK	01 = CHASSIS FORWARD CONTROL W.B.1 02 = CAB CHASSIS WHEEL BASE 2 06 = CAB CHASSIS WHEEL BASE 6 11 = VAN WHEEL BASE 1 12 = VAN WHEEL BASE 2 51 = WAGON WHEEL BASE 1 52 = WAGON WHEEL BASE 2 14 = VAN WHEEL BASE 4 15 = VAN WHEEL BASE 5 54 = WAGON WHEEL BASE 4 55 = WAGON WHEEL BASE 5 56 = WAGON WHEEL BASE 6 16 = VAN WHEEL BASE 6	EX8 = 2.7L I5 Turbo Diesel Engine EX9 = 2.7L I5 Mercedes-Benz TD Engine	DGJ = 5-Speed Automatic MB Transmission DGZ = 4-Spd. Automatic MT643 Transmission

AR = use ase required - = Non illustrated part

Internal Differential Parts,Rear
Figure 3-210

ITEM	PART NUMBER	QTY	LINE	SERIES	BODY	ENGINE	TRANS	TRIM	DESCRIPTION
	05134468AB	1	2, 3, 6, 7	L					[6.30mm]
	05134469AA	1	2, 3, 6, 7	L					[6.38mm]
9	05136772AA	1		L					BEARING,Front
10	05103900AA	1		L					SEAL, Drive Pinion
11	05134442AA	1		L					BEARING, Drive PinionRear
12	05136773AA	1	2, 3, 6, 7	L					PINION, Differential, [DME]
13	05136774AA	1		L					GEAR, Differential Ring, [DME]
14									GEAR KIT, Ring And Pinion
	05136156AA	1	2, 3, 6, 7	L	11, 12, 14,				[DMF]
		1	2, 3, 6, 7	L	51, 52, 54,				[DMF]
					55, 56				
15									CASE, Differential
	05136172AA	1	3, 7		11, 12, 14,				[DMF]
					15, 16				
	05137618AA	1	2, 3, 6, 7						[DME]
16	05103849AA	10	2, 3, 6, 7	L					BOLT, Ring Gear, Mounting
17	05097700AA	1	2, 3, 6, 7						BEARING, Differential
18	05136178AA	8							SCREW, Differential, Differential Case Half, Mounting



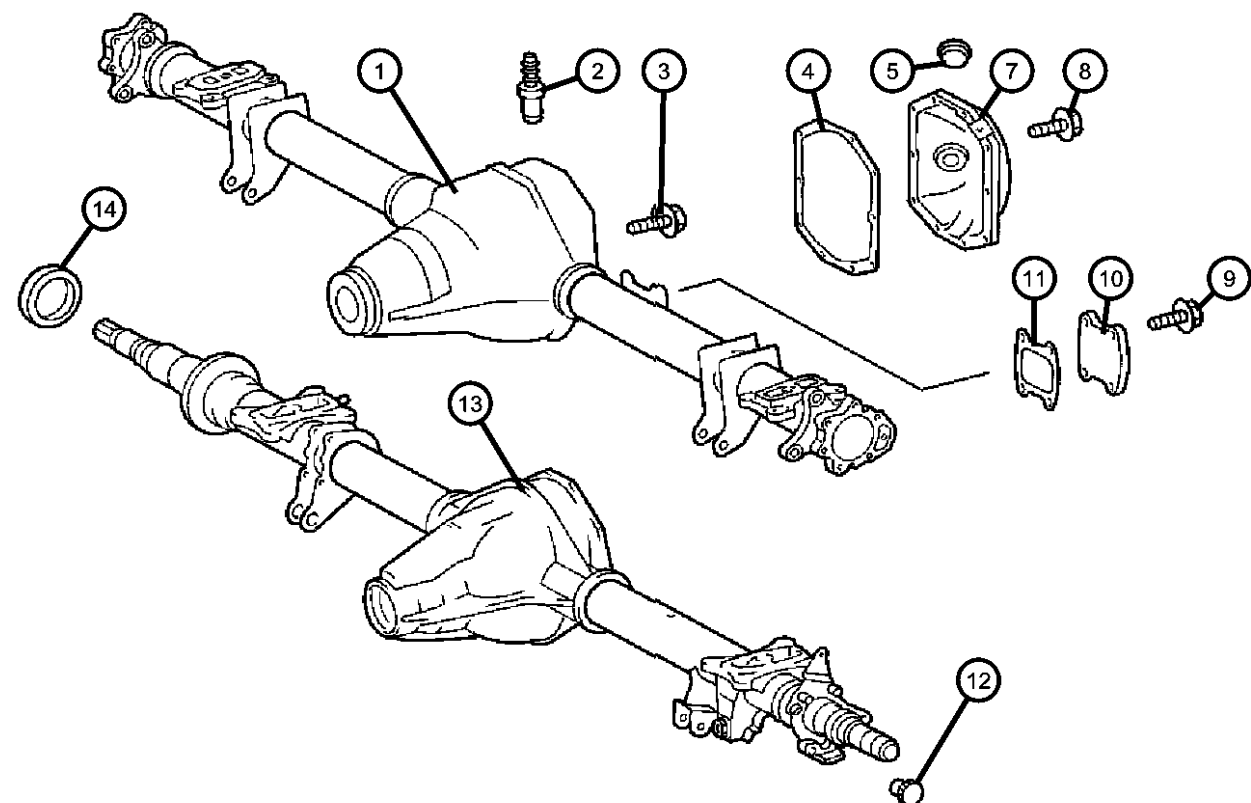
SPRINTER (VA)

SERIES	LINE	BODY	ENGINE	TRANSMISSION
L = LOWLINE	3 = HD DODGE 2WD 8 = HD DODGE 4WD 6 = Lt. Duty DODGE 4WD 2 = Med. Duty DODGE 2WD 7 = Med. Duty DODGE 4WD 4 = TRUCK	01 = CHASSIS FORWARD CONTROL W.B.1 02 = CAB CHASSIS WHEEL BASE 2 06 = CAB CHASSIS WHEEL BASE 6 11 = VAN WHEEL BASE 1 12 = VAN WHEEL BASE 2 51 = WAGON WHEEL BASE 1 52 = WAGON WHEEL BASE 2 14 = VAN WHEEL BASE 4 15 = VAN WHEEL BASE 5 54 = WAGON WHEEL BASE 4 55 = WAGON WHEEL BASE 5 56 = WAGON WHEEL BASE 6 16 = VAN WHEEL BASE 6	EX8 = 2.7L I5 Turbo Diesel Engine EX9 = 2.7L I5 Mercedes-Benz TD Engine	DGJ = 5-Speed Automatic MB Transmission DGZ = 4-Spd. Automatic MT643 Transmission

AR = use ase required - = Non illustrated part

Differential Housing,Rear

Figure 3-220



ITEM	PART NUMBER	QTY	LINE	SERIES	BODY	ENGINE	TRANS	TRIM	DESCRIPTION
NOTE:Axle Housing Only Serviced With Service Axle Only.									
1	05136178AA	8							HOUSING, Rear Axle, Order Axle Assembly / See Note, (NOT SERVICED)
2	05103948AA	1	3, 7	L	12, 15, 16				VENT, Axle
		1	2, 6	L	11, 12, 14, 15, 16				
		1	2, 6	L	51, 52, 54, 55, 56				
		1	2, 6	L	01, 02, 06				
		1	3, 7	L	02, 06				
3	06104225AA	4	3, 7	L	12, 15, 16				BOLT, Hex Head
		4	2, 6	L	11, 12, 14, 15, 16				Carrier Bearing Cap, Mounting
		4	2, 6	L	51, 52, 54, 55, 56				Carrier Bearing Cap, Mounting
		4	2, 6	L	01, 02, 06				Carrier Bearing Cap, Mounting
		4	3, 7	L	02, 06				Carrier Bearing Cap, Mounting
4	05103574AA	1	2, 3, 6, 7						GASKET, Differential CoverMounting
5	05097712AA	1	2, 3, 6, 7						PLUG, Oil Drain
-6	05134372AA	1	2, 3, 6, 7						GASKET, Oil Drain Plug, Mounting
7	05103953AA	1	3, 7	L	12, 15, 16				COVER, Differential
		1	2, 6	L	11, 12, 14, 15, 16				
		1	2, 6	L	51, 52, 54, 55, 56				
		1	2, 6	L	01, 02, 06				
		1	3, 7	L	02, 06				

SPRINTER (VA)

SERIES	LINE	BODY	ENGINE	TRANSMISSION
L = LOWLINE	3 = HD DODGE 2WD 8 = HD DODGE 4WD 6 = Lt. Duty DODGE 4WD 2 = Med. Duty DODGE 2WD 7 = Med. Duty DODGE 4WD 4 = TRUCK	01 = CHASSIS FORWARD CONTROL W.B.1 02 = CAB CHASSIS WHEEL BASE 2 06 = CAB CHASSIS WHEEL BASE 6 11 = VAN WHEEL BASE 1 12 = VAN WHEEL BASE 2 51 = WAGON WHEEL BASE 1 52 = WAGON WHEEL BASE 2 14 = VAN WHEEL BASE 4 15 = VAN WHEEL BASE 5 54 = WAGON WHEEL BASE 4 55 = WAGON WHEEL BASE 5 56 = WAGON WHEEL BASE 6 16 = VAN WHEEL BASE 6	EX8 = 2.7L I5 Turbo Diesel Engine EX9 = 2.7L I5 Mercedes-Benz TD Engine	DGJ = 5-Speed Automatic MB Transmission DGZ = 4-Spd. Automatic MT643 Transmission

AR = use ase required - = Non illustrated part