

VIN PLATE DECODING INFORMATION

| | | | | | | | | | | | |
|-----|-----|-----|-------|-------|-------|---------------|---------------|-------------|------------|-------------|--------------|
| 1 | 2 | 3 | 4 | 5 | 6 | 7 | 8 | 9 | 10 | 11 | 12 thru 17 |
| WMI | WMI | WMI | Other | Model | Model | Engine, Brake | Engine, Brake | Check Digit | Model Year | Assy. Plant | Sequence No. |

The following table interprets the VIN Plate position shown above.

| Position | Interpretation | Codes = Description |
|------------|-----------------------------------|---|
| 1 | World Manufacturer Identification | W = DaimlerChrysler AG |
| 2 | World Manufacturer Identification | D = Sprinter |
| 3 | World Manufacturer Identification | 2 = Sprinter Truck 1 = Sprinter Cab-Chassis 5 = Sprinter Multipurpose Passenger Vehicle |
| 4 | Chassis Configuration | X = 4 X 2 Cab-Chassis Y = 4 X 2 Truck W = 4 X 2 Multipurpose Passenger Vehicle |
| 5 | Model, Wheelbase, GVWR | D = Combine with position 6 |
| 6 | Model, Wheelbase, GVWR | 1 = 2500C/C2500/P2500 3000 mm 15 in. wheel 8,001 - 9,000 lbs. Class G 2 = 2500C/C2500/P2500 3550 mm 15 in. wheel 8,001 - 9,000 lbs. Class G 6 = 2500C/C2500/P2500 3567 mm 16in. wheel 8,001 - 9,000 lbs. Class G 3 = 2500C/C2500/P2500 4025 mm 15 in. wheel 8,001 - 9,000 lbs. Class G 7 = 2500C/C2500/P2500 4042 mm 16in. wheel 8,001 - 9,000 lbs. Class G 4 = 3500C/C3500 3550 mm 15 in. wheel 9,001 - 10,000 lbs. Class H 5 = 3500C/C3500 4025 mm 15 in. wheel 9,001 - 10,000 lbs. Class H |
| 7 | Engine, Brake | 4 = Combine with position 8 |
| 8 | Engine, Brake | 3 = 2.7L 45 State Diesel, Hydraulic Brakes 4 = 2.7L 50 State Diesel, Hydraulic Brakes 1 = 2.7L I-5 Diesel, Hydraulic Brakes |
| 9 | Check Digit | 0 = Check Digit 0 = Check Digit |
| 10 | Model Year | 4 = 2004 5 = 2005 3 = 2003 |
| 11 | Assembly Plant | 5 = Dusseldorf |
| 12 thru 17 | Vehicle Build Sequence | Model Year Assembly Sequence |

Group - 2

Front Suspension & Drive

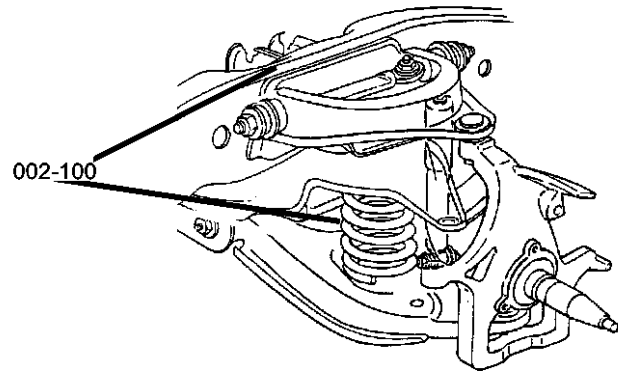
Group - 2 Front Suspension & Drive

Illustration Title

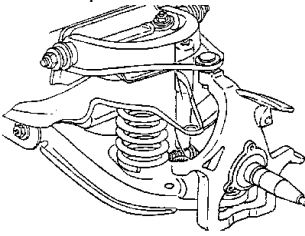
Group-Fig. No.

Front Suspension

| | |
|--|--------------|
| Front Control Arms, Knuckles, Bearings and Hubs..... | Fig. 2 - 110 |
| Front Shocks | Fig. 2 - 120 |
| Front Stabilizer Bar | Fig. 2 - 130 |
| Front, Spring..... | Fig. 2 - 140 |

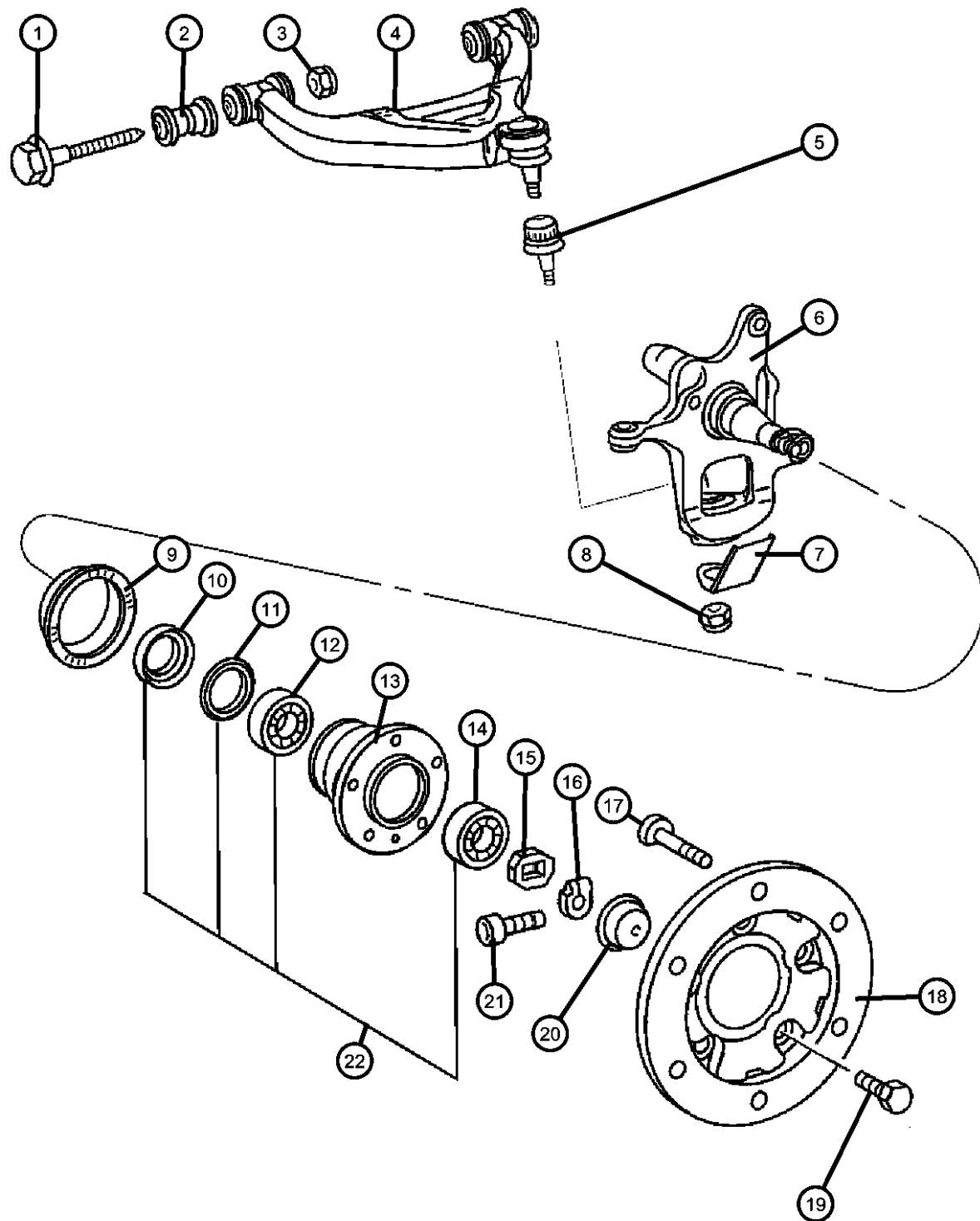


002-100

| | | | |
|---|--|--|--|
| <p>002-100 Front Suspension</p>  | | | |
|---|--|--|--|

Front Control Arms, Knuckles, Bearings and Hubs

Figure 2-110



| ITEM | PART NUMBER | QTY | LINE | SERIES | BODY | ENGINE | TRANS | TRIM | DESCRIPTION |
|---|-------------|-----|------------|--------|--------------------|--------|-------|------|---|
| Note: Sales Codes Note: On Up To and From parts, you will have to refer to the Vehicle Data Card. [DGJ]=TRANSMISSION - 5-SPD AUTO, W5A3 [BGK]= 4-WHEEL ANTI-LOCK | | | | | | | | | |
| 1 | 05133819AA | 4 | | | | | | | BOLT, Hex Head |
| 2 | 05133818AA | 2 | 2, 3, 6, 7 | | | | | | BUSHING, Control Arm |
| 3 | | | | | | | | | NUT |
| | 06104719AA | 2 | 2, 6 | L | 11, 12, 14, 15, 16 | | | | |
| | | 2 | 2, 6 | L | 51, 52, 54, 55, 56 | | | | |
| | | 2 | 3, 7 | L | 12, 15, 16 | | | | |
| 4 | | | | | | | | | ARM, Lower Control, Front |
| | 05104578AA | 1 | 2, 3, 6, 7 | | | | | | Left |
| | 05136057AA | 1 | 2, 3, 6, 7 | | | | | | Right |
| | 05137552AA | 1 | 3, 7 | L | 12, 15, 16 | | | | [BGK], Right |
| | 05137632AA | 1 | 3, 7 | L | 12, 15, 16 | | | | [BGK], Left |
| 5 | 05104075AA | 1 | 2, 3, 6, 7 | | | | | | BALL JOINT, Lower Control Arm Right or Left |
| 6 | | | | | | | | | KNUCKLE, Front |
| | 05104579AA | 1 | 3, 7 | | | | | | Left |
| | 05135232AA | 1 | 2, 6 | L | 11, 12, 14, 15, 16 | | | | Right |
| | | 1 | 2, 6 | L | 51, 52, 54, 55, 56 | | | | Right |
| | 05135233AA | 1 | 2, 6 | L | 11, 12, 14, 15, 16 | | | | Left |
| | | 1 | 2, 6 | L | 51, 52, 54, 55, 56 | | | | Left |
| | 05139492AA | 1 | 3, 7 | | | | | | Right |
| 7 | 05136122AA | 2 | | | | | | | PLATE, Control Arm |
| 8 | 05136123AA | 1 | 2, 3, 6, 7 | | | | | | NUT, Ball Joint |
| 9 | 05139358AA | 2 | | | | | | | RING, Tone |
| 10 | 05103901AA | 2 | | | | | | | SEAL, Hub |
| 11 | 05139359AA | 2 | | | | | | | SEAL, Wheel Hub |
| 12 | 05103779AA | 2 | | | | | | | BEARING, AxleInner |

SPRINTER (VA)

SERIES

L = LOWLINE

LINE

3 = HD DODGE 2WD
 6 = Lt. Duty DODGE 4WD
 2 = Med. Duty DODGE 2WD
 7 = Med. Duty DODGE 4WD

BODY

51 = WAGON WHEEL BASE 1 EX9 = Engine - 2.7L 5 Cly
 52 = WAGON WHEEL BASE 2 Mercedes Diesel
 14 = VAN WHEEL BASE 4
 15 = VAN WHEEL BASE 5
 16 = VAN WHEEL BASE 6
 54 = WAGON WHEEL BASE 4
 55 = WAGON WHEEL BASE 5
 56 = WAGON WHEEL BASE 6
 11 = VAN WHEEL BASE 1
 12 = VAN WHEEL BASE 2

ENGINE

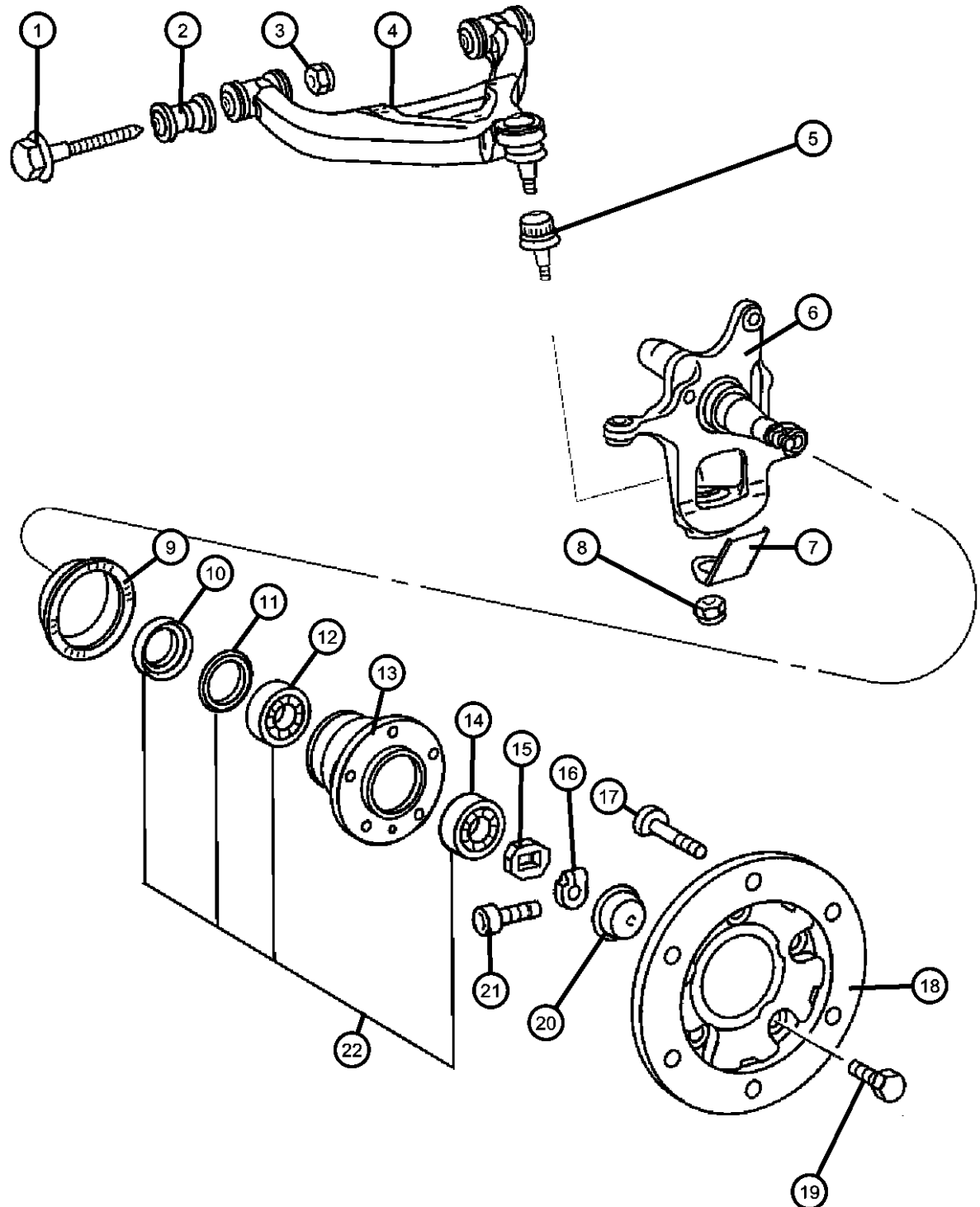
TRANSMISSION

DGJ = Transmission-5-Spd. Automatic, W5A580

AR = use ase required - = Non illustrated part

2003 VA

Front Control Arms, Knuckles, Bearings and Hubs
Figure 2-110

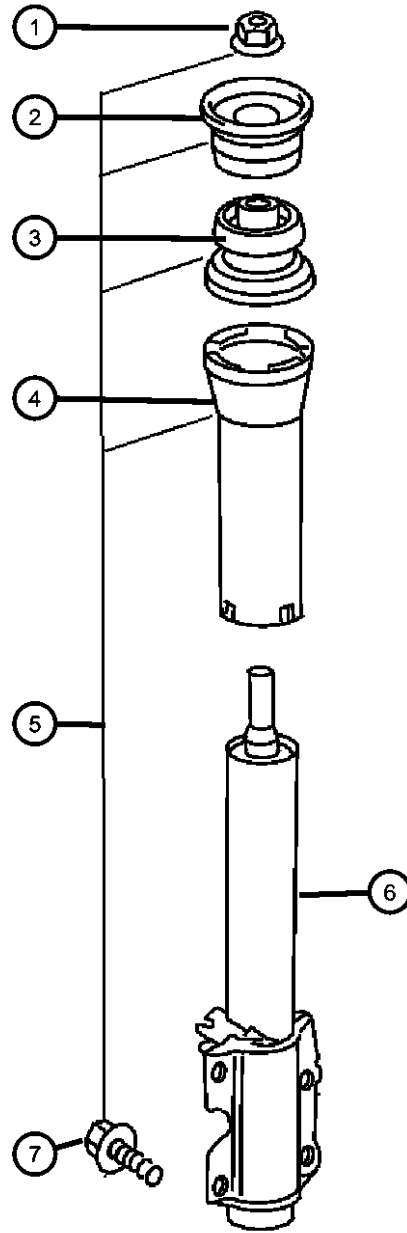


| ITEM | PART NUMBER | QTY | LINE | SERIES | BODY | ENGINE | TRANS | TRIM | DESCRIPTION |
|------|-------------|-----|------|--------|------------|--------|-------|------|-------------------------------------|
| 13 | | | | | | | | | HUB, Front Wheel |
| | 05104556AA | 2 | | | | | | | Up To Front Axle S482213/Y422059 |
| | 05139360AA | 2 | | | | | | | From Front Axle S482214/Y422060 |
| 14 | 05103869AA | 2 | | | | | | | BEARING, AxleOuter |
| 15 | 05103956AA | 2 | | | | | | | WASHER, Thrust, Front |
| 16 | 05097843AA | 2 | | | | | | | NUT |
| 17 | 05139905AA | 12 | 3, 7 | | | | | | BOLT |
| 18 | 05139903AA | 2 | 3, 7 | | | | | | FLANGE, Axle Output |
| 19 | 06104258AA | 12 | 3, 7 | L | 12, 15, 16 | | | | BOLT, Hub |
| 20 | 05103914AA | 2 | | | | | | | CAP, Wheel Hub Grease |
| 21 | 05104617AA | 2 | | | | | | | SCREW |
| 22 | | | | | | | | | HUB AND BEARING PACKAGE, Kit |
| | 05103579AA | 1 | | | | | | | From Front Axle S231916/Y245977 |
| | 05139357AA | 1 | | | | | | | Up To Front Axle 231915/Y245976 |

| | | | | |
|----------------------|--|--|--|---|
| SPRINTER (VA) | | | | |
| SERIES | LINE | BODY | ENGINE | TRANSMISSION |
| L = LOWLINE | 3 = HD DODGE 2WD 6 = Lt. Duty DODGE 4WD 2 = Med. Duty DODGE 2WD 7 = Med. Duty DODGE 4WD | 51 = WAGON WHEEL BASE 1 52 = WAGON WHEEL BASE 2 14 = VAN WHEEL BASE 4 15 = VAN WHEEL BASE 5 16 = VAN WHEEL BASE 6 54 = WAGON WHEEL BASE 4 55 = WAGON WHEEL BASE 5 56 = WAGON WHEEL BASE 6 11 = VAN WHEEL BASE 1 12 = VAN WHEEL BASE 2 | EX9 = Engine - 2.7L 5 Cly Mercedes Diesel | DGJ = Transmission-5-Spd. Automatic,W5A580 |

AR = use ase required - = Non illustrated part

Front Shocks
Figure 2-120



| ITEM | PART NUMBER | QTY | LINE | SERIES | BODY | ENGINE | TRANS | TRIM | DESCRIPTION |
|------|-------------|-----|------|--------|-----------------------|--------|-------|------|---|
| | | | | | | | | | Note: Sales Codes: [SHA]=Stabilizer Bar - Front [3AT]=Rear Springs Weight 3.88T |
| 1 | 05125762AA | 2 | 2, 6 | L | 11, 12, 14, 15, 16 | | | | NUT |
| | | 2 | 2, 6 | L | 51, 52, 54, 55, 56 | | | | |
| | | 2 | 3, 7 | L | 12, 15, 16 | | | | |
| 2 | 05118718AA | 2 | 2, 6 | L | 11, 12, 14, 15, 16 | | | | BUSHING, Shock Absorber |
| | | 2 | 2, 6 | L | 51, 52, 54, 55, 56 | | | | |
| | | 2 | 3, 7 | L | 12, 15, 16 | | | | |
| 3 | 05118722AA | 2 | 2, 6 | L | 11, 12, 14, 15, 16 | | | | BUSHING, Shock Absorber |
| | | 2 | 2, 6 | L | 51, 52, 54, 55, 56 | | | | |
| | | 2 | 3, 7 | L | 12, 15, 16 | | | | |
| 4 | 05118728AA | 2 | 2, 6 | L | 11, 12, 14, 15, 16 | | | | SHIELD, Shock Absorber Dust |
| | | 2 | 2, 6 | L | 51, 52, 54, 55, 56 | | | | |
| | | 2 | 3, 7 | L | 12, 15, 16 | | | | |
| 5 | 05133869AA | 2 | 3, 7 | L | 12, 15, 16 | | | | PARTS KIT, Shock |
| | | 2 | 2, 6 | L | 11, 12, 14, 15, 16 | | | | Includes Items 1,2,3,4,7 |
| | | 2 | 2, 6 | L | 51, 52, 54, 55, 56 | | | | Includes Items 1,2,3,4,7 |
| 6 | 05104063AA | 2 | 2, 6 | L | | | | | ABSORBER, Shock |
| | 05104575AA | 2 | 3, 7 | L | 12, 15, 16 | | | | Shock Only |
| | 05128502AA | 1 | 3, 7 | L | 12, 15, 16 | | | | Shock Only |

SPRINTER (VA)

SERIES

L = LOWLINE

LINE

3 = HD DODGE 2WD
6 = Lt. Duty DODGE 4WD
2 = Med. Duty DODGE 2WD
7 = Med. Duty DODGE 4WD

BODY

51 = WAGON WHEEL BASE 1 EX9 = Engine - 2.7L 5 Clj
52 = WAGON WHEEL BASE 2 Mercedes Diesel
14 = VAN WHEEL BASE 4
15 = VAN WHEEL BASE 5
16 = VAN WHEEL BASE 6
54 = WAGON WHEEL BASE 4
55 = WAGON WHEEL BASE 5
56 = WAGON WHEEL BASE 6
11 = VAN WHEEL BASE 1
12 = VAN WHEEL BASE 2

ENGINE

TRANSMISSION

DGJ = Transmission-5-Spd. Automatic,W5A580

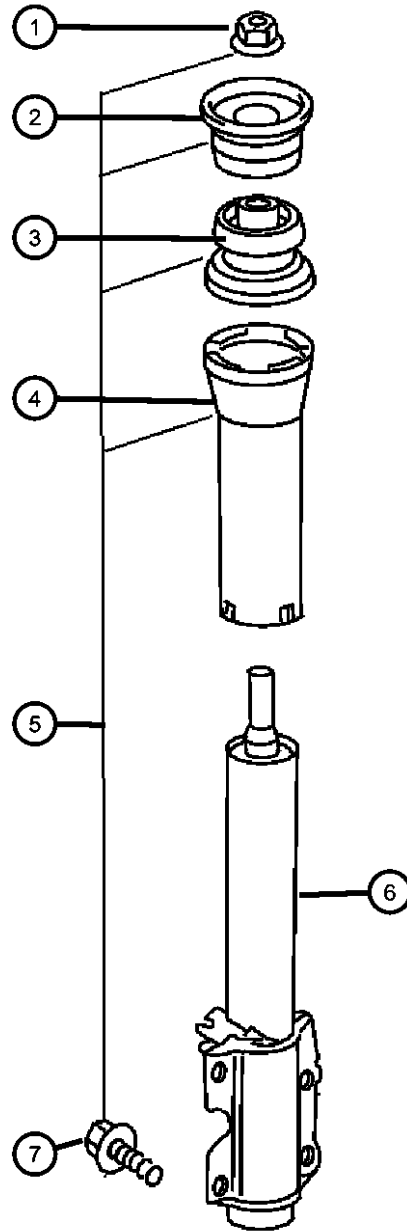
AR = use ase required - = Non illustrated part

2003 VA

Front Shocks
Figure 2-120

| ITEM | PART NUMBER | QTY | LINE | SERIES | BODY | ENGINE | TRANS | TRIM | DESCRIPTION |
|------|-------------|-----|------|--------|------|--------|-------|------|-------------|
|------|-------------|-----|------|--------|------|--------|-------|------|-------------|

| | | | | | | | | | |
|---|------------|---|------|--|--|--|--|--|-----------------------------------|
| | 05139548AA | 2 | 2, 6 | | | | | | Shock Only [3AT,SHA] |
| 7 | 05125699AA | 8 | | | | | | | SCREW, Strut to Knuckle, Mounting |



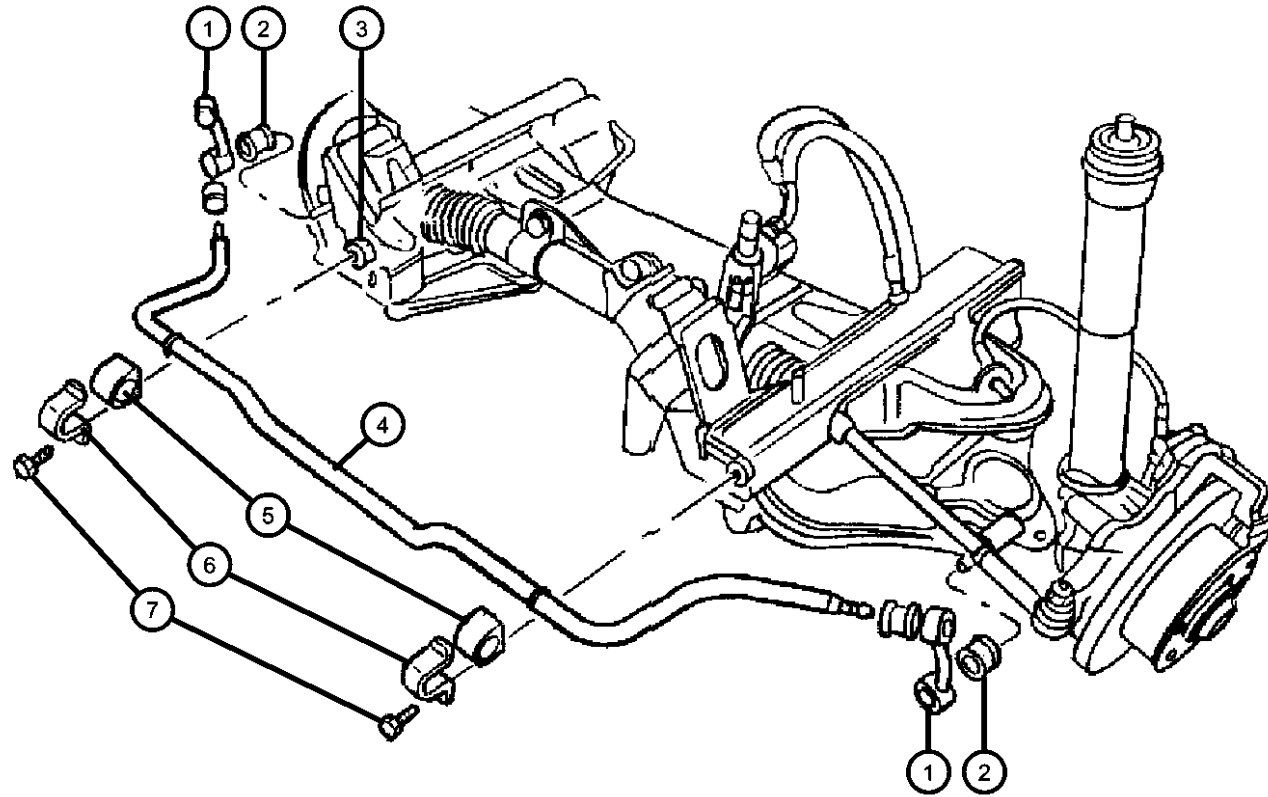
SPRINTER (VA)

| SERIES | LINE | BODY | ENGINE | TRANSMISSION |
|-------------|-------------------------|-------------------------|---------------------------|--|
| L = LOWLINE | 3 = HD DODGE 2WD | 51 = WAGON WHEEL BASE 1 | EX9 = Engine - 2.7L 5 Cly | DGJ = Transmission-5-Spd. Automatic,W5A580 |
| | 6 = Lt. Duty DODGE 4WD | 52 = WAGON WHEEL BASE 2 | Mercedes Diesel | |
| | 2 = Med. Duty DODGE 2WD | 14 = VAN WHEEL BASE 4 | | |
| | 7 = Med. Duty DODGE 4WD | 15 = VAN WHEEL BASE 5 | | |
| | | 16 = VAN WHEEL BASE 6 | | |
| | | 54 = WAGON WHEEL BASE 4 | | |
| | | 55 = WAGON WHEEL BASE 5 | | |
| | | 56 = WAGON WHEEL BASE 6 | | |
| | | 11 = VAN WHEEL BASE 1 | | |
| | | 12 = VAN WHEEL BASE 2 | | |

AR = use ase required - = Non illustrated part

2003 VA

Front Stabilizer Bar
Figure 2-130



| ITEM | PART NUMBER | QTY | LINE | SERIES | BODY | ENGINE | TRANS | TRIM | DESCRIPTION |
|------|-------------|-----|------|--------|-----------------------|--------|-------|------|---|
| 1 | 05104059AA | 1 | 2, 6 | L | 11, 12, 14, 15, 16 | | | | LINK, Stabilizer Bar Left |
| | | 1 | 2, 6 | L | 51, 52, 54, 55, 56 | | | | Left |
| | 05104060AA | 1 | 2, 6 | L | 11, 12, 14, 15, 16 | | | | Right |
| | | 1 | 2, 6 | L | 51, 52, 54, 55, 56 | | | | Right |
| 2 | 05104066AA | 4 | 2, 6 | L | 11, 12, 14, 15, 16 | | | | BUSHING Torsion Bar to Control Arm |
| | | 4 | 2, 6 | L | 51, 52, 54, 55, 56 | | | | Torsion Bar to Control Arm |
| 3 | 05104677AA | 2 | 2, 6 | L | 11, 12, 14, 15, 16 | | | | NUT |
| | | 2 | 2, 6 | L | 51, 52, 54, 55, 56 | | | | |
| 4 | 05104576AA | 1 | | L | | | | | BAR, Front Sway |
| 5 | 05104577AA | 2 | | L | | | | | BUSHING, Stabilizer Bar, Torsion Bar to Front Axle |
| 6 | 05104067AA | 2 | | L | | | | | RETAINER, Stabilizer Bar Grommet |
| 7 | 05104656AA | 2 | | L | | | | | BOLT |

SPRINTER (VA)

SERIES

L = LOWLINE

LINE

3 = HD DODGE 2WD
6 = Lt. Duty DODGE 4WD
2 = Med. Duty DODGE 2WD
7 = Med. Duty DODGE 4WD

BODY

51 = WAGON WHEEL BASE 1
52 = WAGON WHEEL BASE 2
14 = VAN WHEEL BASE 4
15 = VAN WHEEL BASE 5
16 = VAN WHEEL BASE 6
54 = WAGON WHEEL BASE 4
55 = WAGON WHEEL BASE 5
56 = WAGON WHEEL BASE 6
11 = VAN WHEEL BASE 1
12 = VAN WHEEL BASE 2

ENGINE

EX9 = Engine - 2.7L 5 Cly
Mercedes Diesel

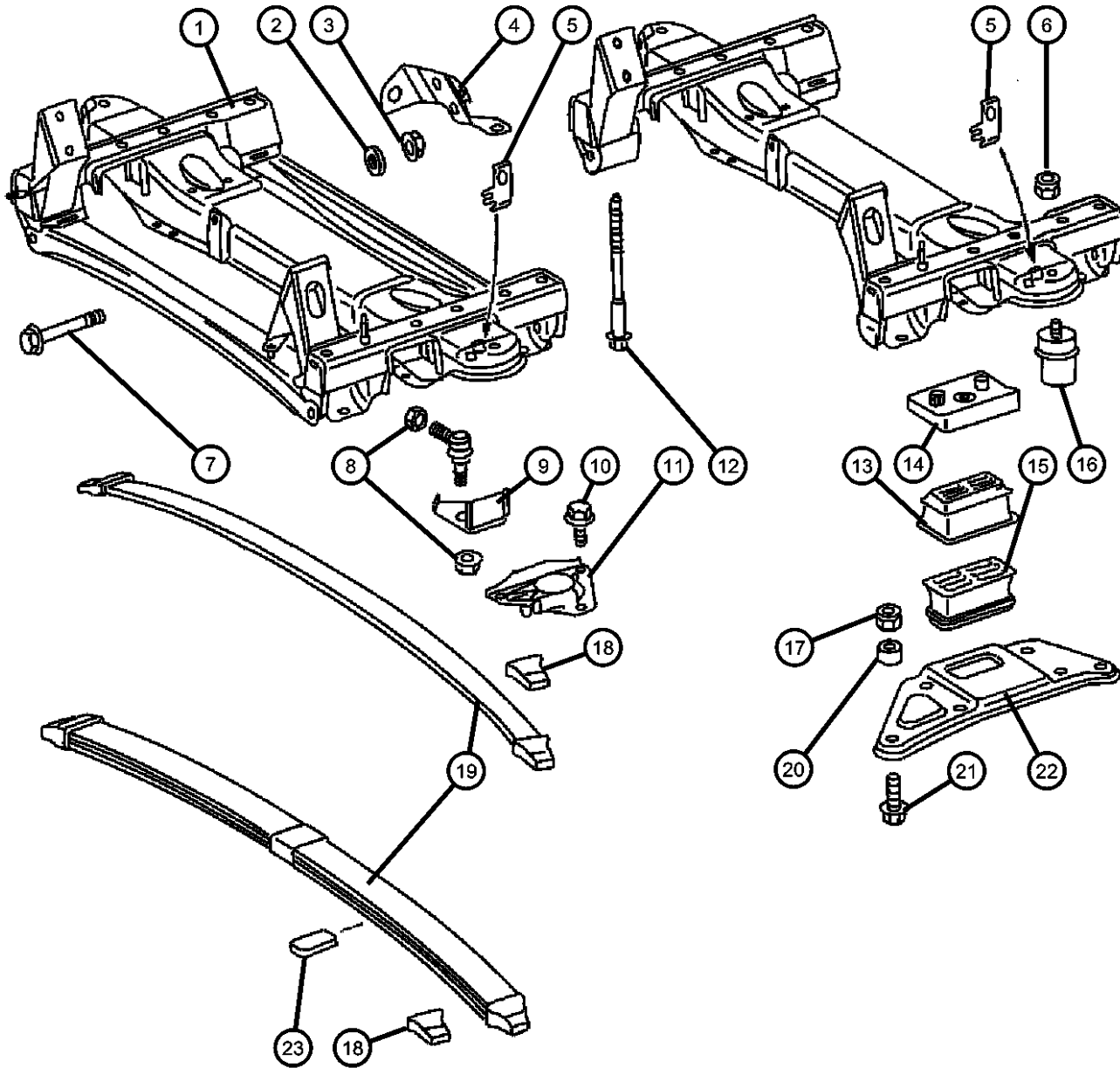
TRANSMISSION

DGJ = Transmission-5-Spd.
Automatic,W5A580

AR = use ase required - = Non illustrated part

2003 VA

Front, Spring
Figure 2-140



| ITEM | PART NUMBER | QTY | LINE | SERIES | BODY | ENGINE | TRANS | TRIM | DESCRIPTION |
|------|-------------|-----|------|--------|-----------------------|--------|-------|------|-------------------------|
| 1 | 05139740AA | 1 | | | | | | | CROSSMEMBER, Front Axle |
| 2 | 05139740AA | 1 | | | | | | | WASHER, (NOT SERVICED) |
| 3 | | | | | | | | | NUT |
| | 06104718AA | 4 | 2, 6 | L | 11, 12, 14, 15, 16 | | | | |
| | | 4 | 2, 6 | L | 51, 52, 54, 55, 56 | | | | |
| 4 | 05119553AA | 1 | | | | | | | BRACKET, Steering Gear |
| 5 | 05119553AA | 1 | | | | | | | BRACKET, (NOT SERVICED) |
| 6 | | | | | | | | | NUT |
| | 05132896AA | 6 | 2, 6 | L | 51, 52, 54, 55, 56 | | | | |
| | | 6 | 2, 6 | L | 11, 12, 14, 15, 16 | | | | |
| 7 | 05125714AA | 4 | | | | | | | SCREW |
| 8 | | | | | | | | | NUT |
| | 05125761AA | 2 | 2, 6 | L | 11, 12, 14, 15, 16 | | | | |
| | | 2 | 2, 6 | L | 51, 52, 54, 55, 56 | | | | |
| 9 | | | | | | | | | PLATE, Backing |
| | 05119249AA | 2 | 2, 6 | L | 11, 12, 14, 15, 16 | | | | |
| | | 2 | 2, 6 | L | 51, 52, 54, 55, 56 | | | | |
| 10 | | | | | | | | | BOLT |
| | 05126233AA | 6 | 2, 6 | L | 11, 12, 14, 15, 16 | | | | |
| | | 6 | 2, 6 | L | 51, 52, 54, 55, 56 | | | | |
| 11 | | | | | | | | | MOUNT, Shock Upper |
| | 05104064AA | 1 | | L | | | | | Right |
| | 05118705AA | 2 | 3, 7 | | | | | | |
| | 05118707AA | 1 | | L | | | | | Left |
| 12 | | | | | | | | | SCREW AND WASHER, Hex |

SPRINTER (VA)

SERIES

L = LOWLINE

LINE

3 = HD DODGE 2WD
6 = Lt. Duty DODGE 4WD
2 = Med. Duty DODGE 2WD
7 = Med. Duty DODGE 4WD

BODY

51 = WAGON WHEEL BASE 1 EX9 = Engine - 2.7L 5 Cyl
52 = WAGON WHEEL BASE 2 Mercedes Diesel
14 = VAN WHEEL BASE 4
15 = VAN WHEEL BASE 5
16 = VAN WHEEL BASE 6
54 = WAGON WHEEL BASE 4
55 = WAGON WHEEL BASE 5
56 = WAGON WHEEL BASE 6
11 = VAN WHEEL BASE 1
12 = VAN WHEEL BASE 2

ENGINE

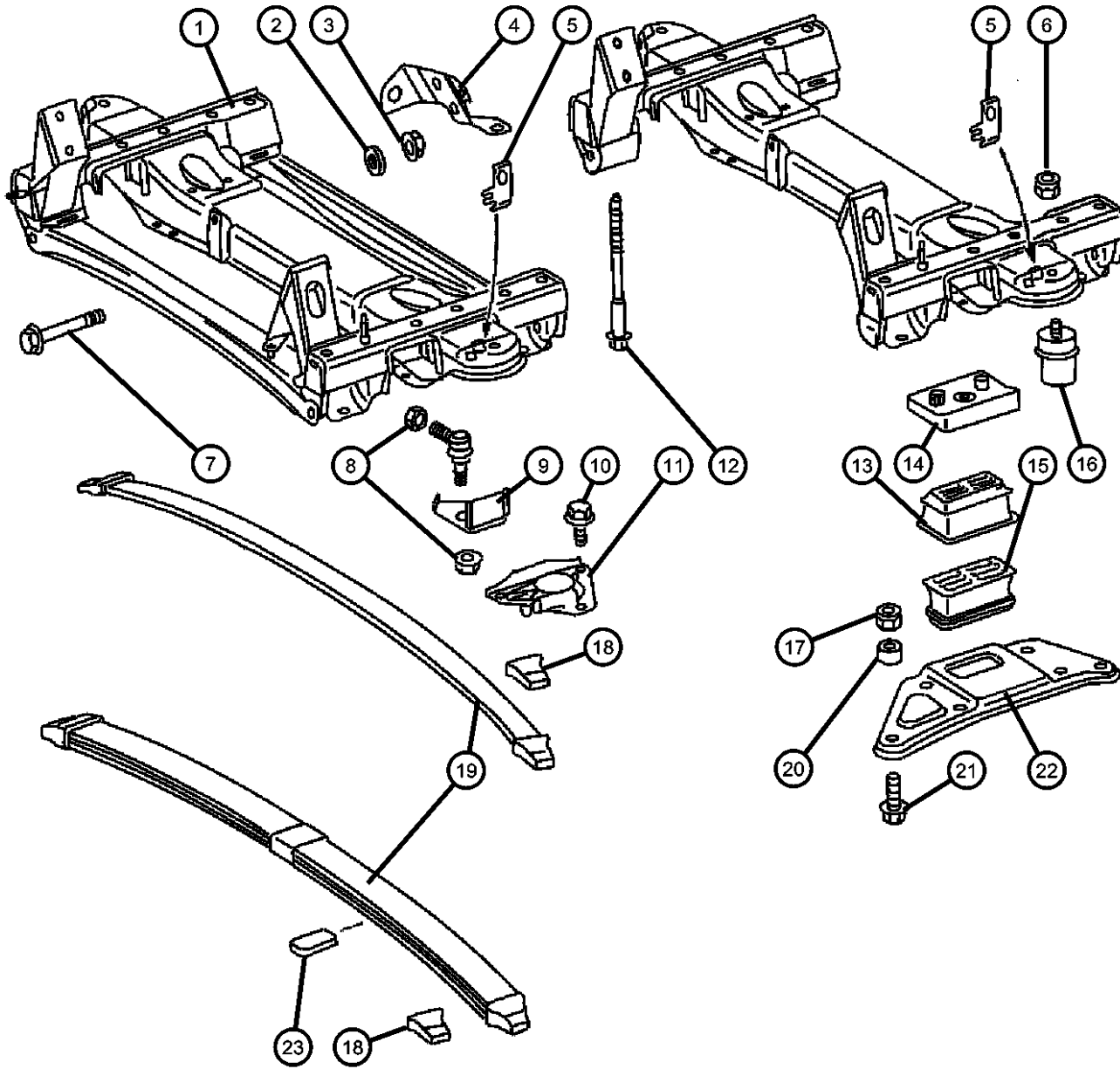
TRANSMISSION

DGJ = Transmission-5-Spd. Automatic, W5A580

AR = use ase required - = Non illustrated part

2003 VA

Front, Spring
Figure 2-140



| ITEM | PART NUMBER | QTY | LINE | SERIES | BODY | ENGINE | TRANS | TRIM | DESCRIPTION |
|------|-------------|-----|------------|--------|-----------------------|--------|-------|------|--|
| | 05125725AA | 8 | 2, 6 | L | 11, 12, 14, 15, 16 | | | | |
| | | 8 | 2, 6 | L | 51, 52, 54, 55, 56 | | | | |
| 13 | 05139190AA | 2 | | | | | | | SEAT, Spring To Frame With SV#500323/03 |
| | 05139558AA | 2 | | | | | | | To Frame With SV#500323/02 |
| 14 | 05139552AA | 1 | | | | | | | SHIM, Spring Seat Left |
| | 05139554AA | 1 | | | | | | | Right |
| 15 | 05139189AA | 1 | | | | | | | SEAT, Spring Right |
| | 05139188AA | 1 | | | | | | | Left |
| 16 | 05139555AA | 2 | | | | | | | BUMPER, Suspension Jounce |
| 17 | 06104717AA | 8 | 2, 6 | L | 11, 12, 14, 15, 16 | | | | NUT M10 x 1.5 |
| | | 8 | 2, 6 | L | 51, 52, 54, 55, 56 | | | | M10 x 1.5 |
| | | 8 | 3, 7 | L | 12, 15, 16 | | | | M10 x 1.5 |
| | 06104718AA | 4 | 2, 6 | L | 11, 12, 14, 15, 16 | | | | M12 x 1.5 |
| | | 4 | 2, 6 | L | 51, 52, 54, 55, 56 | | | | M12 x 1.5 |
| | | 4 | 3, 7 | L | 12, 15, 16 | | | | M12 x 1.5 |
| 18 | 05139556AA | 2 | | | | | | | SEAT, Spring |
| 19 | 05139112AA | 1 | | | | | | | SPRING, Front Leaf |
| 20 | 05139737AA | 4 | | | | | | | BUSHING, Spring |
| 21 | 06104215AA | 8 | 2, 3, 6, 7 | | | | | | BOLT, Hex Head M10 x 1.5 x 25.00 |
| | 06104233AA | 4 | | | | | | | M12 x 1.5 x 25.00 |
| 22 | 05139186AA | 1 | | | | | | | PLATE, Suspension Left |

SPRINTER (VA)

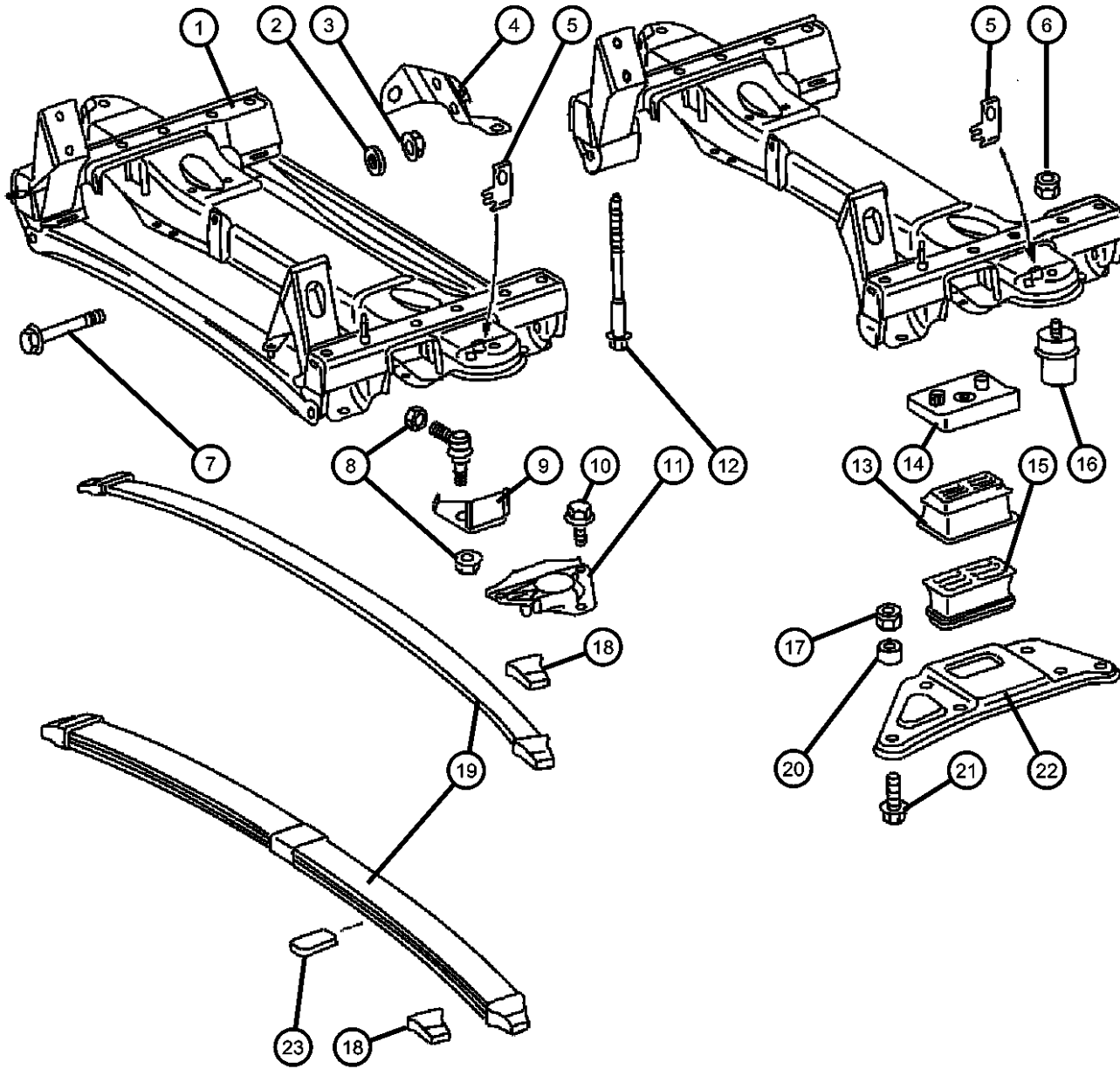
| SERIES | LINE | BODY | ENGINE | TRANSMISSION |
|-------------|--|--|--|--|
| L = LOWLINE | 3 = HD DODGE 2WD 6 = Lt. Duty DODGE 4WD 2 = Med. Duty DODGE 2WD 7 = Med. Duty DODGE 4WD | 51 = WAGON WHEEL BASE 1 52 = WAGON WHEEL BASE 2 14 = VAN WHEEL BASE 4 15 = VAN WHEEL BASE 5 16 = VAN WHEEL BASE 6 54 = WAGON WHEEL BASE 4 55 = WAGON WHEEL BASE 5 56 = WAGON WHEEL BASE 6 11 = VAN WHEEL BASE 1 12 = VAN WHEEL BASE 2 | EX9 = Engine - 2.7L 5 Cly Mercedes Diesel | DGJ = Transmission-5-Spd. Automatic, W5A580 |

AR = use ase required - = Non illustrated part

Front, Spring
Figure 2-140

| ITEM | PART NUMBER | QTY | LINE | SERIES | BODY | ENGINE | TRANS | TRIM | DESCRIPTION |
|------|-------------|-----|------|--------|------|--------|-------|------|-------------|
|------|-------------|-----|------|--------|------|--------|-------|------|-------------|

| | | | | | | | | | |
|----|------------|---|--|--|--|--|--|--|----------------------|
| | 05139187AA | 1 | | | | | | | Right |
| 23 | 05139187AA | 1 | | | | | | | SHIM, (NOT SERVICED) |



SPRINTER (VA)

| SERIES | LINE | BODY | ENGINE | TRANSMISSION |
|-------------|-------------------------|-------------------------|---------------------------|--|
| L = LOWLINE | 3 = HD DODGE 2WD | 51 = WAGON WHEEL BASE 1 | EX9 = Engine - 2.7L 5 Cly | DGJ = Transmission-5-Spd. Automatic,W5A580 |
| | 6 = Lt. Duty DODGE 4WD | 52 = WAGON WHEEL BASE 2 | Mercedes Diesel | |
| | 2 = Med. Duty DODGE 2WD | 14 = VAN WHEEL BASE 4 | | |
| | 7 = Med. Duty DODGE 4WD | 15 = VAN WHEEL BASE 5 | | |
| | | 16 = VAN WHEEL BASE 6 | | |
| | | 54 = WAGON WHEEL BASE 4 | | |
| | | 55 = WAGON WHEEL BASE 5 | | |
| | | 56 = WAGON WHEEL BASE 6 | | |
| | | 11 = VAN WHEEL BASE 1 | | |
| | | 12 = VAN WHEEL BASE 2 | | |

AR = use ase required - = Non illustrated part

Group - 3

Rear Axle

Group - 3 Rear Axle

Group-Fig. No.

Illustration Title

Rear Axle

Differential Assembly,Rear Fig. 3 - 110

Differential and Housing

Internal Differential Parts,Rear Fig. 3 - 210

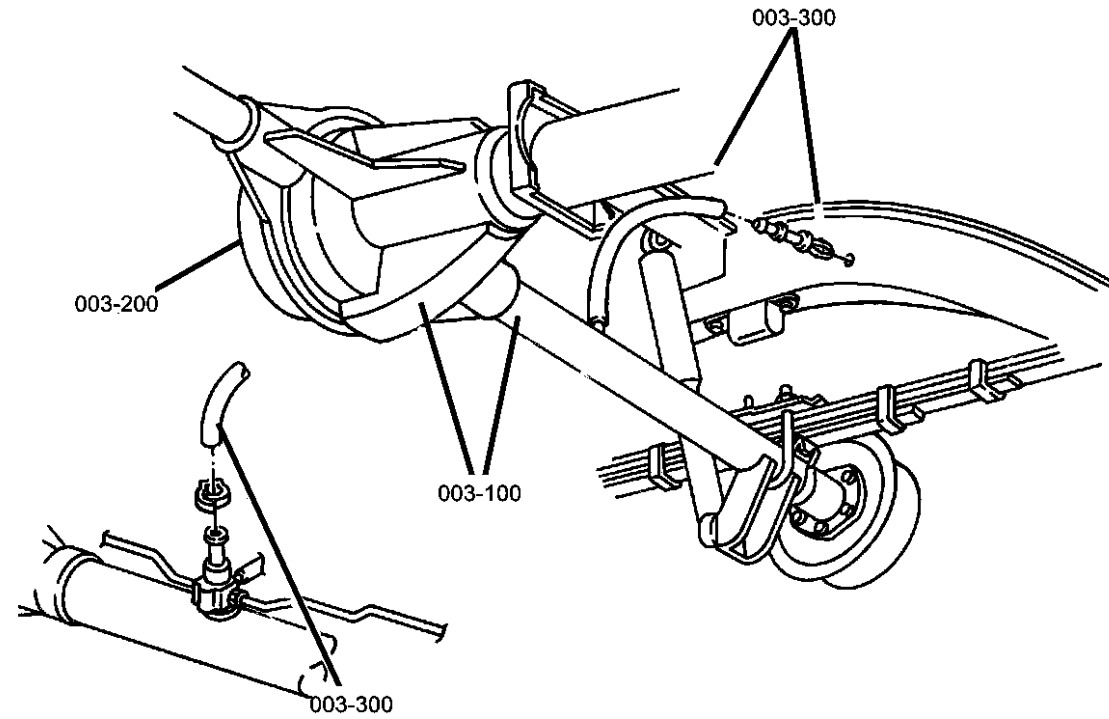
Differential Housing,Rear Fig. 3 - 220

Axle Shaft and Wheel Bearings,Single Rear Wheels Fig. 3 - 230

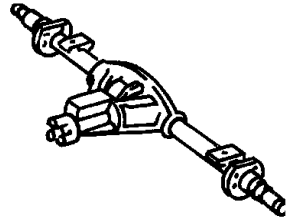
Axle Shaft and Wheel Bearings,Dual Rear Wheels Fig. 3 - 240

Rear Axle Vent

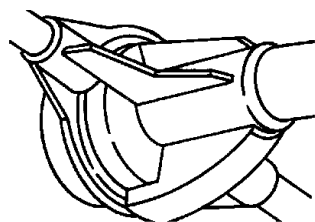
Vent,Rear Axle Fig. 3 - 310



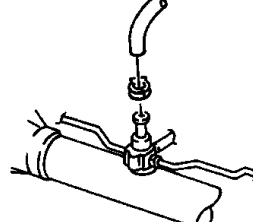
003-100
Rear Axle



003-200
Differential and Housing



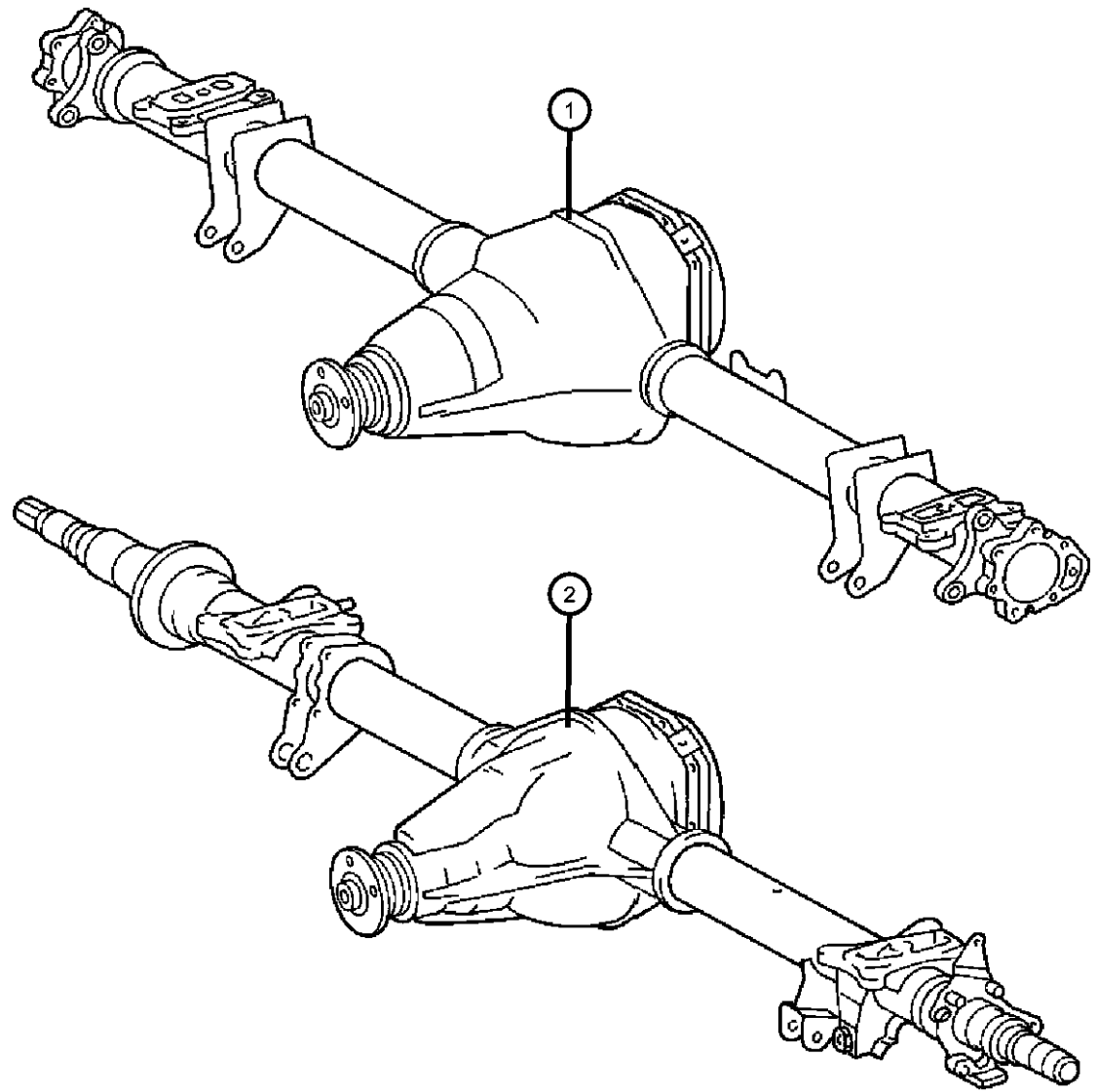
003-300
Rear Axle Vent



Differential Assembly,Rear
Figure 3-110

| ITEM | PART NUMBER | QTY | LINE | SERIES | BODY | ENGINE | TRANS | TRIM | DESCRIPTION |
|------|-------------|-----|------|--------|------|--------|-------|------|-------------|
|------|-------------|-----|------|--------|------|--------|-------|------|-------------|

Note: Sales Codes:
[DME]=Axle Ratio - 3.72
[DMF]=Axle Ratio - 4.11



| | | | | | | | | | |
|---|------------|---|------|---|------------|--|--|--|---|
| 1 | 05137591AA | 1 | 2, 6 | | | | | | AXLE, Service Rear |
| | 05136033AA | | | | | | | | [DMF] Single Rear Axle |
| | 05137755AA | 1 | 2, 6 | L | | | | | Mopar SAE 90 Gear Lube Quart for Sprinter Axles |
| | 05136033AA | | | | | | | | [DME] Single Rear Axle |
| | 05136033AA | | | | | | | | Mopar SAE 90 Gear Lube Quart for Sprinter Axles |
| 2 | 05135823AA | 1 | 3, 7 | L | 12, 15, 16 | | | | AXLE, Service Rear |
| | 05136033AA | | | | | | | | [DME] Dual Rear Axle |
| | 05135928AA | 1 | 3, 7 | L | | | | | Mopar SAE 90 Gear Lube Quart for Sprinter Axles |
| | 05136033AA | | | | | | | | [DMF] Dual Rear Axle |
| | 05136033AA | | | | | | | | Mopar SAE 90 Gear Lube Quart for Sprinter Axles |

SPRINTER (VA)

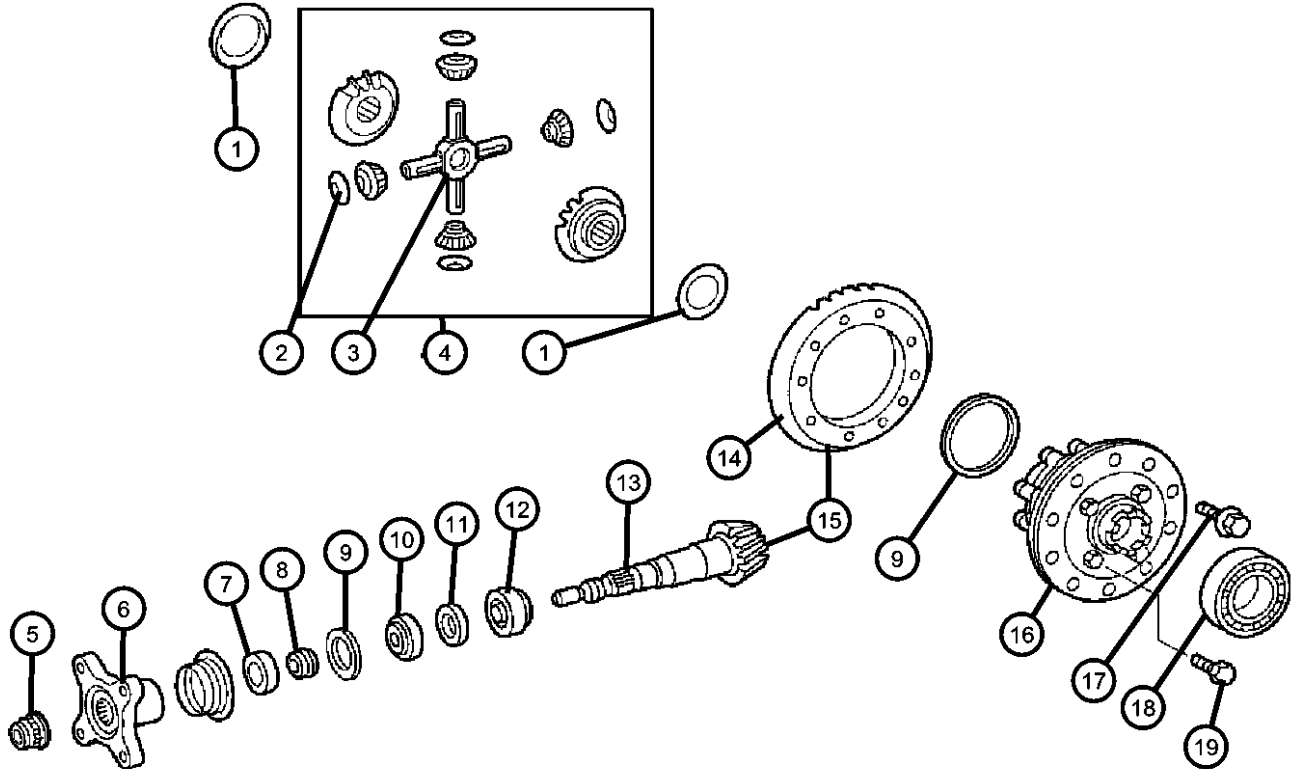
| SERIES | LINE | BODY | ENGINE | TRANSMISSION |
|-------------|-------------------------|-------------------------|---------------------------|--|
| L = LOWLINE | 3 = HD DODGE 2WD | 51 = WAGON WHEEL BASE 1 | EX9 = Engine - 2.7L 5 Cly | DGJ = Transmission-5-Spd. Automatic,W5A580 |
| | 6 = Lt. Duty DODGE 4WD | 52 = WAGON WHEEL BASE 2 | Mercedes Diesel | |
| | 2 = Med. Duty DODGE 2WD | 14 = VAN WHEEL BASE 4 | | |
| | 7 = Med. Duty DODGE 4WD | 15 = VAN WHEEL BASE 5 | | |
| | | 16 = VAN WHEEL BASE 6 | | |
| | | 54 = WAGON WHEEL BASE 4 | | |
| | | 55 = WAGON WHEEL BASE 5 | | |
| | | 56 = WAGON WHEEL BASE 6 | | |
| | | 11 = VAN WHEEL BASE 1 | | |
| | | 12 = VAN WHEEL BASE 2 | | |

AR = use ase required - = Non illustrated part

2003 VA

Internal Differential Parts,Rear
Figure 3-210

| ITEM | PART NUMBER | QTY | LINE | SERIES | BODY | ENGINE | TRANS | TRIM | DESCRIPTION |
|------|-------------|-----|------------|--------|------|--------|-------|------|------------------------------|
| | 05103958AA | 1 | | | | | | | From Axle L538155 or X004695 |
| 6 | 05134541AA | 1 | | L | | | | | FLANGE, Driveshaft Yoke |
| 7 | 05103966AA | 1 | | L | | | | | RING, Pinion flange |
| 8 | 05134540AA | 1 | | L | | | | | SPACER, Drive Pinion Bearing |
| 9 | | | | | | | | | SHIM, Axle |
| | 05134418AB | 1 | 2, 3, 6, 7 | | | | | | [4.96 MM] |
| | 05134419AA | 1 | 2, 3, 6, 7 | | | | | | [5.00 MM] |
| | 05134415AA | 1 | 2, 3, 6, 7 | | | | | | [4.90 MM] |
| | 05134416AA | 1 | 2, 3, 6, 7 | | | | | | [4.92 MM] |
| | 05134417AA | 1 | 2, 3, 6, 7 | | | | | | [4.94 MM] |
| | 05134425AA | 1 | 2, 3, 6, 7 | L | | | | | [5.20 MM] |
| | 05134427AA | 1 | 2, 3, 6, 7 | L | | | | | [5.24 MM] |
| | 05134428AA | 1 | 2, 3, 6, 7 | L | | | | | [5.28 MM] |
| | 05134429AA | 1 | 2, 3, 6, 7 | L | | | | | [5.32 MM] |
| | 05134420AA | 1 | 2, 3, 6, 7 | | | | | | [5.02 MM] |
| | 05134421AA | 1 | 2, 3, 6, 7 | | | | | | [5.04 MM] |
| | 05134422AB | 1 | 2, 3, 6, 7 | | | | | | [5.06 MM] |
| | 05134423AA | 1 | 2, 3, 6, 7 | | | | | | [5.12 MM] |
| | 05134424AA | 1 | 2, 3, 6, 7 | L | | | | | [5.16 MM] |
| | 05134439AA | 1 | 2, 3, 6, 7 | L | | | | | [5.92 MM] |
| | 05134440AA | 1 | 2, 3, 6, 7 | | | | | | [5.96 MM] |
| | 05134441AA | 1 | 2, 3, 6, 7 | L | | | | | [6.00 MM] |
| | 05134466AA | 1 | 2, 3, 6, 7 | L | | | | | [6.10 MM] |
| | 05134430AA | 1 | 2, 3, 6, 7 | L | | | | | [5.36 MM] |
| | 05134431AA | 1 | 2, 3, 6, 7 | L | | | | | [5.40 MM] |
| | 05134432AA | 1 | 2, 3, 6, 7 | L | | | | | [5.50 MM] |
| | 05134433AA | 1 | 2, 3, 6, 7 | L | | | | | [5.60 MM] |
| | 05134434AA | 1 | 2, 3, 6, 7 | L | | | | | [5.72 MM] |
| | 05134435AA | 1 | 2, 3, 6, 7 | L | | | | | [5.76 MM] |
| | 05134436AA | 1 | 2, 3, 6, 7 | L | | | | | [5.80 MM] |
| | 05134437AA | 1 | 2, 3, 6, 7 | L | | | | | [5.84 MM] |



SPRINTER (VA)

SERIES

L = LOWLINE

LINE

3 = HD DODGE 2WD
6 = Lt. Duty DODGE 4WD
2 = Med. Duty DODGE 2WD
7 = Med. Duty DODGE 4WD

BODY

51 = WAGON WHEEL BASE 1 EX9 = Engine - 2.7L 5 Cly
52 = WAGON WHEEL BASE 2 Mercedes Diesel
14 = VAN WHEEL BASE 4
15 = VAN WHEEL BASE 5
16 = VAN WHEEL BASE 6
54 = WAGON WHEEL BASE 4
55 = WAGON WHEEL BASE 5
56 = WAGON WHEEL BASE 6
11 = VAN WHEEL BASE 1
12 = VAN WHEEL BASE 2

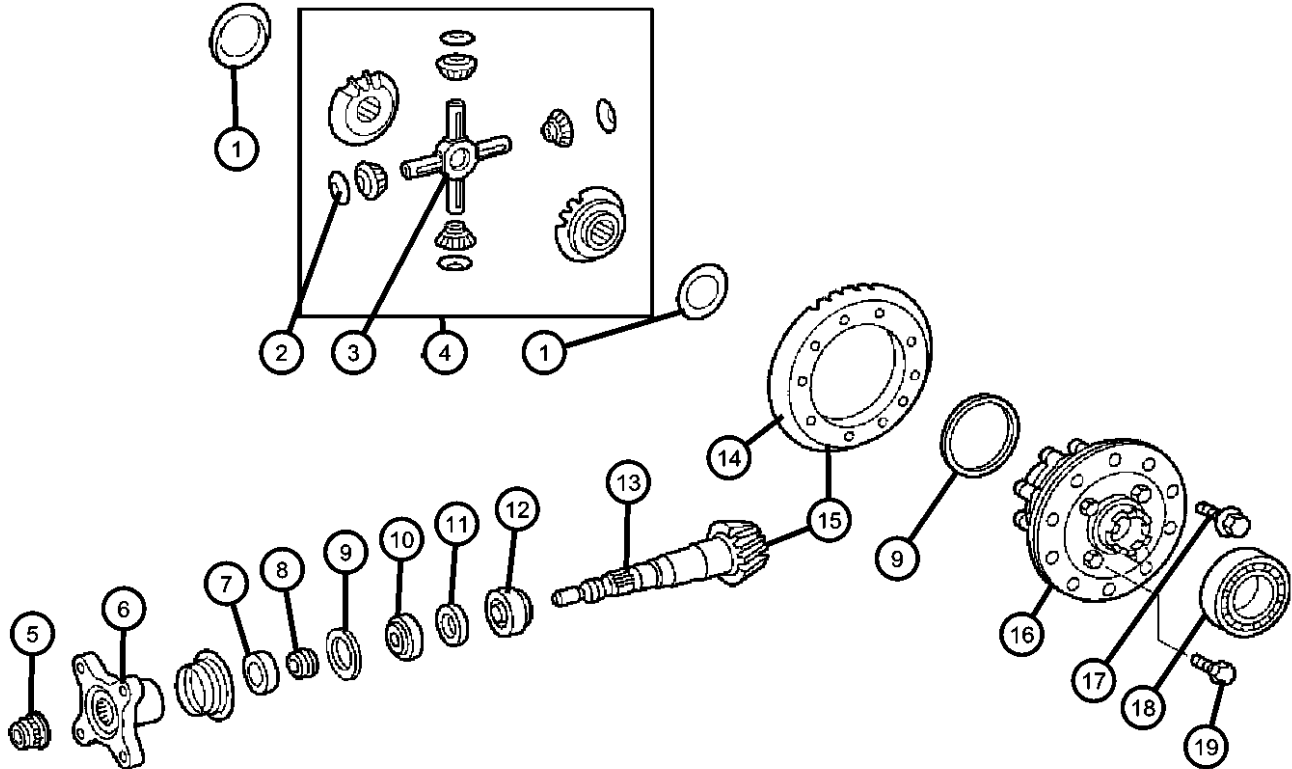
ENGINE

TRANSMISSION

DGJ = Transmission-5-Spd. Automatic,W5A580

AR = use ase required - = Non illustrated part

Internal Differential Parts,Rear
Figure 3-210



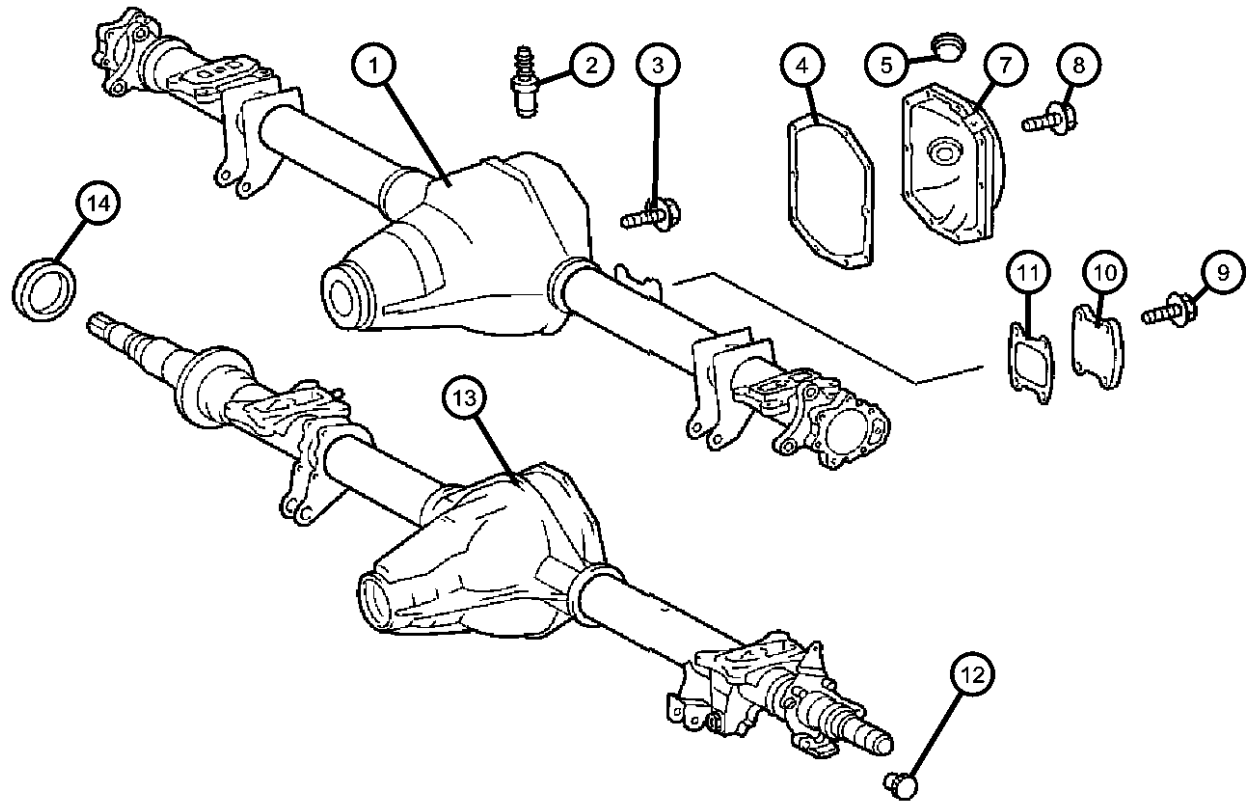
| ITEM | PART NUMBER | QTY | LINE | SERIES | BODY | ENGINE | TRANS | TRIM | DESCRIPTION |
|------|-------------|-----|------------|--------|--------------------|--------|-------|------|---|
| | 05134438AA | 1 | 2, 3, 6, 7 | L | | | | | [5.88 MM] |
| | 05134467AA | 1 | 2, 3, 6, 7 | L | | | | | [6.20 MM] |
| | 05134468AB | 1 | 2, 3, 6, 7 | L | | | | | [6.30 MM] |
| | 05134469AA | 1 | 2, 3, 6, 7 | L | | | | | [6.38 MM] |
| 10 | 05136772AA | 1 | | L | | | | | BEARINGFront |
| 11 | 05103900AA | 1 | | L | | | | | SEAL, Drive Pinion |
| 12 | 05134442AA | 1 | | L | | | | | BEARING, Drive PinionRear |
| 13 | 05136773AA | 1 | 2, 3, 6, 7 | L | | | | | PINION, Differential, [DME] |
| 14 | 05136774AA | 1 | | L | | | | | GEAR, Differential Ring, [DME] |
| 15 | 05136156AA | 1 | 2, 3, 6, 7 | L | 11, 12, 14, 15, 16 | | | | GEAR KIT, Ring And Pinion [DMF] |
| | | 1 | 2, 3, 6, 7 | L | 51, 52, 54, 55, 56 | | | | [DMF] |
| 16 | 05136172AA | 1 | 3, 7 | | 11, 12, 14, 15, 16 | | | | CASE, Differential [DMF] |
| | 05104557AA | 1 | 2, 6 | L | 11, 12, 14, 15, 16 | | | | [DME] |
| | | 1 | 2, 6 | L | 56, 51, 52, 54, 55 | | | | [DME] |
| 17 | 05103849AA | 10 | 2, 3, 6, 7 | L | | | | | BOLT, Ring Gear, Mounting |
| 18 | 05097700AA | 1 | 2, 3, 6, 7 | | | | | | BEARING, Differential |
| 19 | 05136178AA | 8 | | | | | | | SCREW, Differential, Differential Case Half, Mounting |

SPRINTER (VA)

| | | | | |
|-------------|--|--|--|--|
| SERIES | LINE | BODY | ENGINE | TRANSMISSION |
| L = LOWLINE | 3 = HD DODGE 2WD 6 = Lt. Duty DODGE 4WD 2 = Med. Duty DODGE 2WD 7 = Med. Duty DODGE 4WD | 51 = WAGON WHEEL BASE 1 52 = WAGON WHEEL BASE 2 14 = VAN WHEEL BASE 4 15 = VAN WHEEL BASE 5 16 = VAN WHEEL BASE 6 54 = WAGON WHEEL BASE 4 55 = WAGON WHEEL BASE 5 56 = WAGON WHEEL BASE 6 11 = VAN WHEEL BASE 1 12 = VAN WHEEL BASE 2 | EX9 = Engine - 2.7L 5 Cly Mercedes Diesel | DGJ = Transmission-5-Spd. Automatic,W5A580 |

AR = use ase required - = Non illustrated part

Differential Housing,Rear
Figure 3-220



| ITEM | PART NUMBER | QTY | LINE | SERIES | BODY | ENGINE | TRANS | TRIM | DESCRIPTION |
|------|-------------|-----|------------|--------|--------------------|--------|-------|------|--|
| 1 | 05136178AA | 8 | | | | | | | HOUSING, Rear Axle, Serviced in complete assy only, (NOT SERVICED) |
| 2 | 05134368AA | 1 | 3, 7 | L | 12, 15, 16 | | | | VENT, Axle |
| | | 1 | 2, 6 | L | 11, 12, 14, 15, 16 | | | | |
| | | 1 | 2, 6 | L | 51, 52, 54, 55, 56 | | | | |
| 3 | 06104225AA | 4 | 3, 7 | L | 12, 15, 16 | | | | BOLT, Hex Head |
| | | 4 | 2, 6 | L | 11, 12, 14, 15, 16 | | | | Carrier Bearing Cap, Mounting |
| | | 4 | 2, 6 | L | 51, 52, 54, 55, 56 | | | | Carrier Bearing Cap, Mounting |
| 4 | 05103574AA | 1 | 2, 3, 6, 7 | | | | | | GASKET, Differential CoverMounting |
| 5 | 05097712AA | 1 | 2, 3, 6, 7 | | | | | | PLUG, Oil Drain, Oil Filling and Oil Drain |
| -6 | 05134372AA | 1 | 2, 3, 6, 7 | | | | | | GASKET, Oil Filling and Oil Drain Plug, Mounting |
| 7 | 05103953AA | 1 | 3, 7 | L | 12, 15, 16 | | | | COVER, Differential |
| | | 1 | 2, 6 | L | 11, 12, 14, 15, 16 | | | | |
| | | 1 | 2, 6 | L | 51, 52, 54, 55, 56 | | | | |
| 8 | 05134371AA | 10 | 2, 3, 6, 7 | | | | | | SCREW AND WASHER, Differential Cover, Mounting |
| 9 | 06104195AA | 4 | 2, 6 | L | 11, 12, 14, 15, 16 | | | | Axle Housing Cover, Mounting |
| | | 4 | 2, 6 | L | 51, 52, 54, 55, 56 | | | | Axle Housing Cover, Mounting |
| 10 | 05134668AA | 1 | 2, 6 | L | 11, 12, 14, 15, 16 | | | | COVER |
| | | 1 | 2, 6 | L | 51, 52, 54, 55, 56 | | | | Axle Housing |
| 11 | | | | | | | | | GASKET |

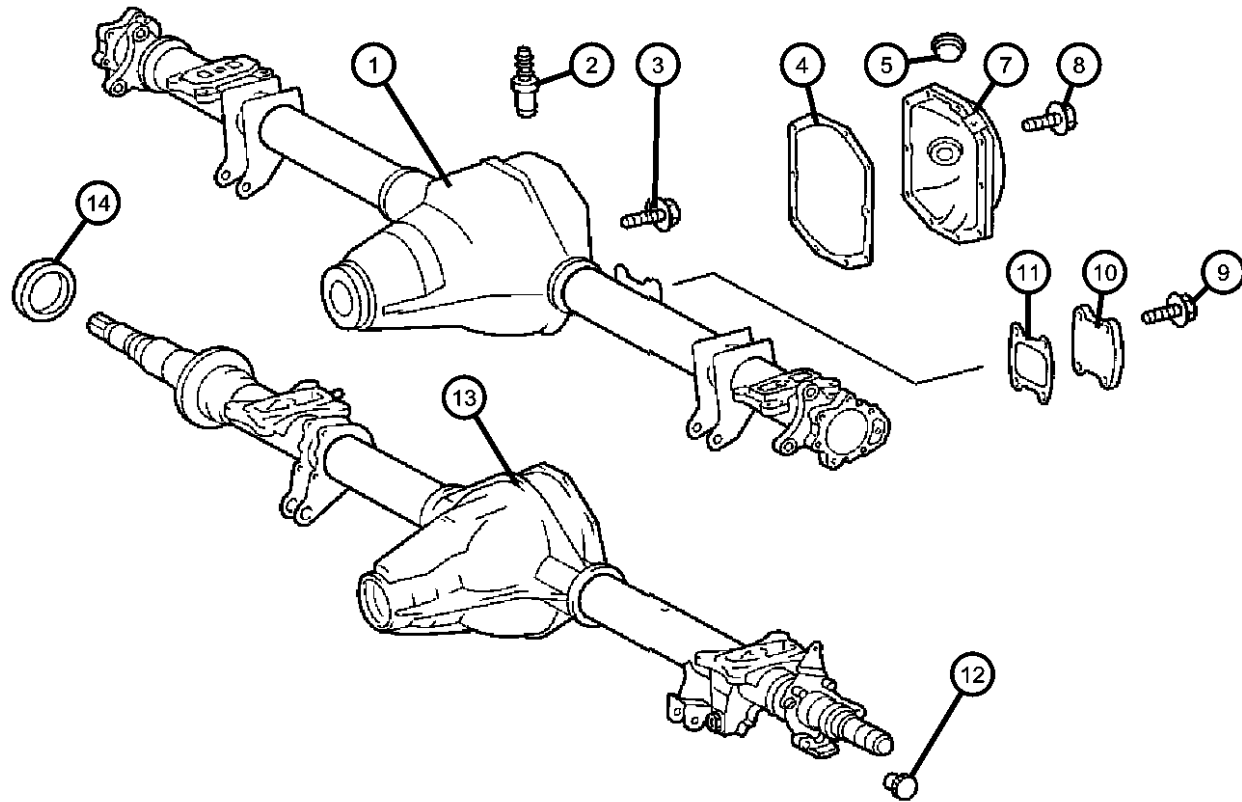
SPRINTER (VA)

| | | | | |
|-------------|--|--|--|--|
| SERIES | LINE | BODY | ENGINE | TRANSMISSION |
| L = LOWLINE | 3 = HD DODGE 2WD 6 = Lt. Duty DODGE 4WD 2 = Med. Duty DODGE 2WD 7 = Med. Duty DODGE 4WD | 51 = WAGON WHEEL BASE 1 52 = WAGON WHEEL BASE 2 14 = VAN WHEEL BASE 4 15 = VAN WHEEL BASE 5 16 = VAN WHEEL BASE 6 54 = WAGON WHEEL BASE 4 55 = WAGON WHEEL BASE 5 56 = WAGON WHEEL BASE 6 11 = VAN WHEEL BASE 1 12 = VAN WHEEL BASE 2 | EX9 = Engine - 2.7L 5 Cly Mercedes Diesel | DGJ = Transmission-5-Spd. Automatic,W5A580 |

AR = use ase required - = Non illustrated part

Differential Housing,Rear
Figure 3-220

| ITEM | PART NUMBER | QTY | LINE | SERIES | BODY | ENGINE | TRANS | TRIM | DESCRIPTION |
|------|-------------|-----|------|--------|-----------------------|--------|-------|------|---|
| | 05134669AA | 1 | 2, 6 | L | 11, 12, 14, 15, 16 | | | | Axle Housing Cover, Mounting |
| | | 1 | 2, 6 | L | 51, 52, 54, 55, 56 | | | | Axle Housing Cover, Mounting |
| 12 | 05134667AA | 2 | 3, 7 | L | 12, 15, 16 | | | | PLUG, To Lock Holes for ABS |
| 13 | 05139133AA | 1 | 3, 7 | L | 12, 15, 16 | | | | HOUSING, Rear Axle, For Dual Rear Wheels |
| 14 | | | | | | | | | THRUST RING |
| | 05104027AA | 1 | 3, 7 | L | 12, 15, 16 | | | | Right |
| | 05134665AA | 1 | 3, 7 | L | 12, 15, 16 | | | | Left |

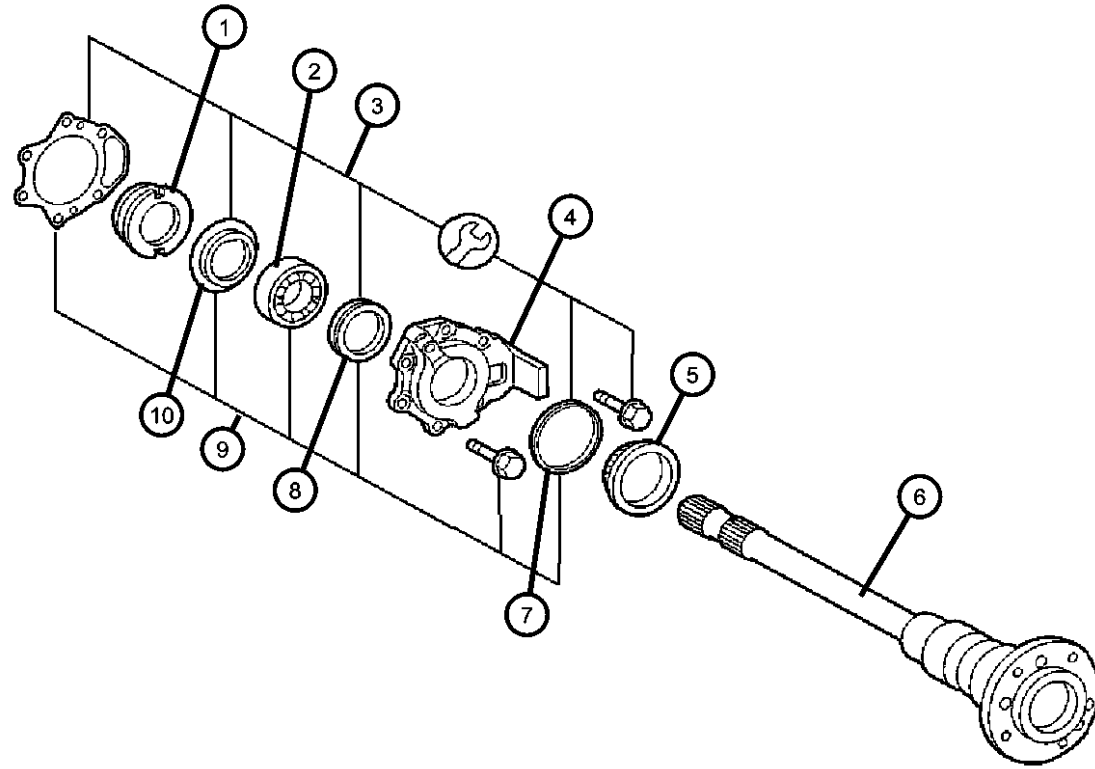


SPRINTER (VA)

| SERIES | LINE | BODY | ENGINE | TRANSMISSION |
|-------------|--|--|--|---|
| L = LOWLINE | 3 = HD DODGE 2WD 6 = Lt. Duty DODGE 4WD 2 = Med. Duty DODGE 2WD 7 = Med. Duty DODGE 4WD | 51 = WAGON WHEEL BASE 1 52 = WAGON WHEEL BASE 2 14 = VAN WHEEL BASE 4 15 = VAN WHEEL BASE 5 16 = VAN WHEEL BASE 6 54 = WAGON WHEEL BASE 4 55 = WAGON WHEEL BASE 5 56 = WAGON WHEEL BASE 6 11 = VAN WHEEL BASE 1 12 = VAN WHEEL BASE 2 | EX9 = Engine - 2.7L 5 Cly Mercedes Diesel | DGJ = Transmission-5-Spd. Automatic,W5A580 |

AR = use ase required - = Non illustrated part

Axle Shaft and Wheel Bearings, Single Rear Wheels
Figure 3-230



| ITEM | PART NUMBER | QTY | LINE | SERIES | BODY | ENGINE | TRANS | TRIM | DESCRIPTION |
|------------|-------------|------|------|-----------------------|-----------------------|--------|-------|--|--|
| 1 | 05134634AA | 1 | 2, 6 | L | 11, 12, 14, 15, 16 | | | | NUT, Axle shaft Right |
| | | 1 | 2, 6 | L | 51, 52, 54, 55, 56 | | | | Right |
| | 05134635AA | 1 | 2, 6 | L | 11, 12, 14, 15, 16 | | | | Left |
| | | 1 | 2, 6 | L | 51, 52, 54, 55, 56 | | | | Left |
| 2 | 05103883AA | 2 | 2, 6 | L | 11, 12, 14, 15, 16 | | | | BEARING, Wheel |
| | | 2 | 2, 6 | L | 51, 52, 54, 55, 56 | | | | |
| 3 | 05104559AA | 2 | 2, 6 | L | 11, 12, 14, 15, 16 | | | | SEAL KIT, Axle shaft |
| | | 2 | 2, 6 | L | 51, 52, 54, 55, 56 | | | | |
| 4 | 05134636AA | 1 | 2, 6 | L | 11, 12, 14, 15, 16 | | | | COVER, Axle bearing Up To Rear Axle L833737 or X246061 or Z122707, Right |
| | | 1 | 2, 6 | L | 51, 52, 54, 55, 56 | | | | |
| | 05134637AA | 1 | 2, 6 | L | 11, 12, 14, 15, 16 | | | | COVER, Axle bearing Up To Rear Axle L833737 or X246061 or Z122707, Left |
| | | 1 | 2, 6 | L | 51, 52, 54, 55, 56 | | | | |
| | 05134638AA | 1 | 2, 6 | L | 11, 12, 14, 15, 16 | | | | COVER, Axle bearing From Rear Axle L833738 or X246062 or Z122708, Right |
| | | 1 | 2, 6 | L | 51, 52, 54, 55, 56 | | | | |
| 05134639AA | 1 | 2, 6 | L | 11, 12, 14, 15, 16 | | | | COVER, Axle bearing From Rear Axle L833738 or X246062 or Z122708, Left | |
| | 1 | 2, 6 | L | 51, 52, 54, 55, 56 | | | | | From Rear Axle L833738 or X246062 or Z122708, Left |
| 5 | 05134640AA | 2 | 2, 6 | L | 11, 12, 14, 15, 16 | | | | TONE RING, Sensor Up To Axle L653742 or X094896 or Z020253 |
| | | 2 | 2, 6 | L | 51, 52, 54, 55, 56 | | | | |

SPRINTER (VA)

SERIES

L = LOWLINE

LINE

3 = HD DODGE 2WD
 6 = Lt. Duty DODGE 4WD
 2 = Med. Duty DODGE 2WD
 7 = Med. Duty DODGE 4WD

BODY

51 = WAGON WHEEL BASE 1 EX9 = Engine - 2.7L 5 Clj
 52 = WAGON WHEEL BASE 2 Mercedes Diesel
 14 = VAN WHEEL BASE 4
 15 = VAN WHEEL BASE 5
 16 = VAN WHEEL BASE 6
 54 = WAGON WHEEL BASE 4
 55 = WAGON WHEEL BASE 5
 56 = WAGON WHEEL BASE 6
 11 = VAN WHEEL BASE 1
 12 = VAN WHEEL BASE 2

ENGINE

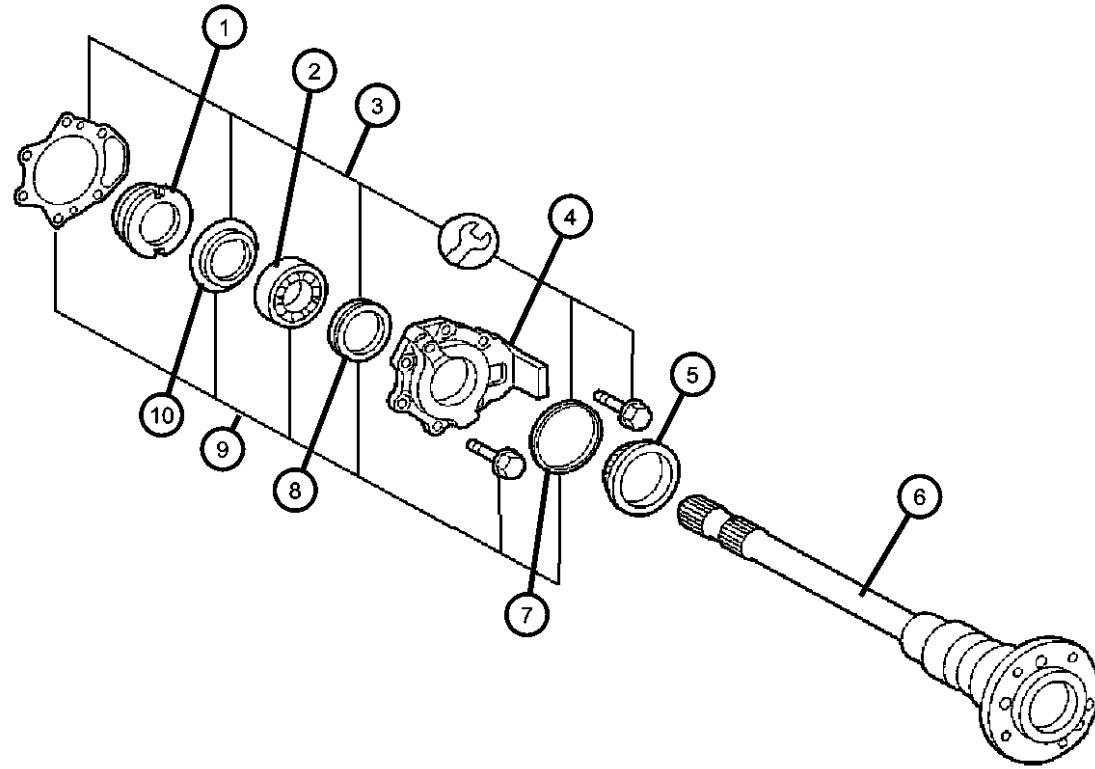
TRANSMISSION

DGJ = Transmission-5-Spd.
 Automatic, W5A580

AR = use ase required - = Non illustrated part

2003 VA

Axle Shaft and Wheel Bearings, Single Rear Wheels
Figure 3-230



| ITEM | PART NUMBER | QTY | LINE | SERIES | BODY | ENGINE | TRANS | TRIM | DESCRIPTION |
|------|-------------|-----|------|--------|-----------------------|--------|-------|------|---|
| 6 | 05134641AA | 2 | 2, 6 | L | 11, 12, 14, 15, 16 | | | | From Axle L653743 or X0904897 or Z020254 |
| | | 2 | 2, 6 | L | 51, 52, 54, 55, 56 | | | | From Axle L653743 or X0904897 or Z020254 |
| | 05134658AA | 1 | 2, 6 | L | 11, 12, 14, 15, 16 | | | | Up To Rear Axle L874988 or X304860 or Z161213, Right |
| | | 1 | 2, 6 | L | 51, 52, 54, 55, 56 | | | | Up To Rear Axle L874988 or X304860 or Z161213, Right |
| | 05134659AA | 1 | 2, 6 | L | 11, 12, 14, 15, 16 | | | | Up To Rear Axle L874988 or X304860 or Z161213, Left |
| | | 1 | 2, 6 | L | 51, 52, 54, 55, 56 | | | | Up To Rear Axle L874988 or X304860 or Z161213, Left |
| | 05134660AA | 1 | 2, 6 | L | 11, 12, 14, 15, 16 | | | | From Rear Axle L874989 or X304861 or Z161214, Right |
| | 05134661AA | 1 | 2, 6 | L | 11, 12, 14, 15, 16 | | | | From Rear Axle L874989 or X304861 or Z161214, Left |
| | | 1 | 2, 6 | L | 51, 52, 54, 55, 56 | | | | From Rear Axle L874989 or X304861 or Z161214, Left |
| | | 1 | 2, 6 | L | 51, 52, 54, 55, 56 | | | | From Rear Axle L874989 or X304861 or Z161214, Right |
| 7 | 05104566AA | 2 | 2, 6 | | | | | | SEAL, Rear Axle Flange |
| 8 | 05139760AA | 2 | 2, 6 | | | | | | SEAL, Rear Axle Flange |
| 9 | 05103601AA | 2 | 2, 6 | L | 11, 12, 14, 15, 16 | | | | BEARING KIT, Axle shaft |
| | | 2 | 2, 6 | L | 51, 52, 54, 55, 56 | | | | |
| 10 | 05139738AA | 2 | 2, 6 | | | | | | LOCK, Hub Nut |

SPRINTER (VA)

SERIES

L = LOWLINE

LINE

3 = HD DODGE 2WD
 6 = Lt. Duty DODGE 4WD
 2 = Med. Duty DODGE 2WD
 7 = Med. Duty DODGE 4WD

BODY

51 = WAGON WHEEL BASE 1
 52 = WAGON WHEEL BASE 2
 14 = VAN WHEEL BASE 4
 15 = VAN WHEEL BASE 5
 16 = VAN WHEEL BASE 6
 54 = WAGON WHEEL BASE 4
 55 = WAGON WHEEL BASE 5
 56 = WAGON WHEEL BASE 6
 11 = VAN WHEEL BASE 1
 12 = VAN WHEEL BASE 2

ENGINE

EX9 = Engine - 2.7L 5 Cly
 Mercedes Diesel

TRANSMISSION

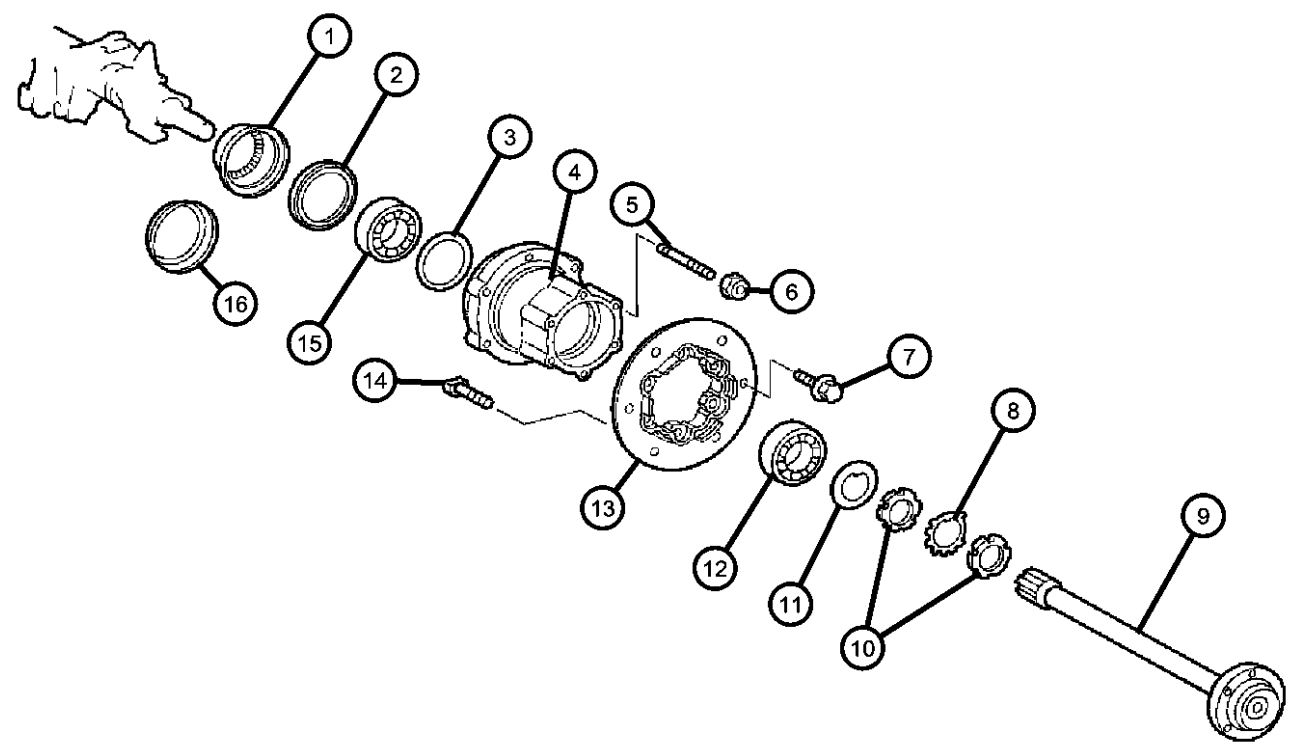
DGJ = Transmission-5-Spd.
 Automatic, W5A580

AR = use ase required - = Non illustrated part

2003 VA

Axle Shaft and Wheel Bearings, Dual Rear Wheels

Figure 3-240



| ITEM | PART NUMBER | QTY | LINE | SERIES | BODY | ENGINE | TRANS | TRIM | DESCRIPTION |
|------|-------------|-----|------|--------|------------|--------|-------|------|----------------------------------|
| 1 | 05161914AA | 2 | 3, 7 | L | 12, 15, 16 | | | | TONE RING, Sensor, 54 Teeth |
| 2 | 05103566AB | 2 | 3, 7 | L | 12, 15, 16 | | | | SEAL, Wheel Bearing |
| 3 | 05134706AA | 2 | 3, 7 | L | 12, 15, 16 | | | | SPACER |
| 4 | 05104580AA | 1 | 3, 7 | L | 12, 15, 16 | | | | HUB, WheelRight or Left |
| 5 | 05134714AA | 12 | 3, 7 | L | 12, 15, 16 | | | | STUD, Hub, Axle, Mounting |
| 6 | 05134715AA | 12 | 3, 7 | L | 12, 15, 16 | | | | NUT, Hex Lock, Axle, Mounting |
| 7 | 06104258AA | 12 | 3, 7 | L | 12, 15, 16 | | | | BOLT, Hub |
| 8 | 05103578AA | 2 | 3, 7 | L | 12, 15, 16 | | | | LOCK, Bearing Adjusting Nut |
| 9 | 05134721AA | 2 | 3, 7 | L | 12, 15, 16 | | | | SHAFT, Axle |
| 10 | 05134720AA | 4 | 3, 7 | L | 12, 15, 16 | | | | NUT, Bearing Adjusting |
| 11 | 05134719AA | 1 | 3, 7 | | 12, 15, 16 | | | | SPACER |
| 12 | 05103547AA | 2 | 3, 7 | L | 12, 15, 16 | | | | BEARING, WheelOuter |
| 13 | 05134718AA | 2 | 3, 7 | L | 12, 15, 16 | | | | FLANGE, Axle OutputRight or Left |
| 14 | 05103938AA | 12 | 3, 7 | L | 12, 15, 16 | | | | STUD, Wheel |
| 15 | 05103562AA | 2 | 3, 7 | L | 12, 15, 16 | | | | BEARING, WheelInner |
| 16 | 05134709AA | 2 | 3, 7 | L | 12, 15, 16 | | | | SLINGER, Oil |

SPRINTER (VA)

SERIES

L = LOWLINE

LINE

3 = HD DODGE 2WD
 6 = Lt. Duty DODGE 4WD
 2 = Med. Duty DODGE 2WD
 7 = Med. Duty DODGE 4WD

BODY

51 = WAGON WHEEL BASE 1
 52 = WAGON WHEEL BASE 2
 14 = VAN WHEEL BASE 4
 15 = VAN WHEEL BASE 5
 16 = VAN WHEEL BASE 6
 54 = WAGON WHEEL BASE 4
 55 = WAGON WHEEL BASE 5
 56 = WAGON WHEEL BASE 6
 11 = VAN WHEEL BASE 1
 12 = VAN WHEEL BASE 2

ENGINE

EX9 = Engine - 2.7L 5 Cly
 Mercedes Diesel

TRANSMISSION

DGJ = Transmission-5-Spd. Automatic, W5A580

AR = use ase required - = Non illustrated part

2003 VA

<< RETURN TO GROUP INDEX

This is the cut pages sample. Download all 586 page(s) at: ManualPlace.com