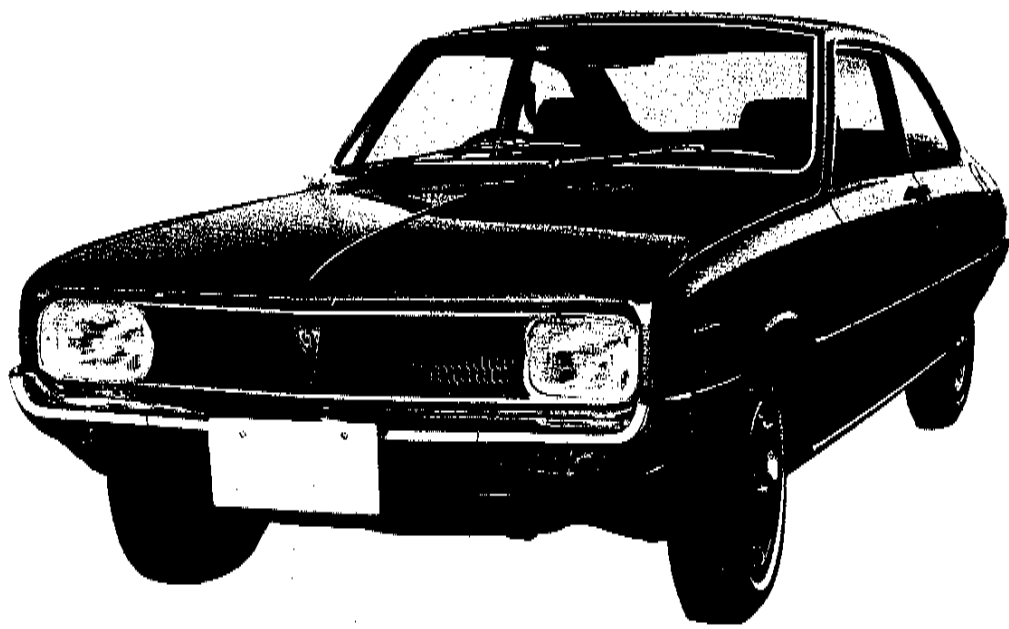


# **MAZDA R100 COUPE & SEDAN PARTS CATALOG**



**TOYO KOGYO CO., LTD.**  
MAZDA ROTARY ENGINE - LICENSE NSU · WANKEL



# R100 SEDAN & COUPE VOL. 2

Model N°	Model / Type	Description	Omschrijving	Description
2 0 6 1	M10A-4	For France	Niet ingevoerd	Pas importé
2 0 6 2	M10A-4	Sedan	Niet ingevoerd	Pas importé
2 0 6 3	M10A-4	RHD	Niet ingevoerd	Pas importé
2 0 6 4	M10A-4	RHD	Niet ingevoerd	Pas importé
2 * 1 2	M10A	Arctic spec.	Niet ingevoerd	Pas importé
2 1 1 3	M10A	For West Canada	Niet ingevoerd	Pas importé
2 1 2 3	M10A	RHD	Niet ingevoerd	Pas importé
2 * 2 4	M10A	For Okinawa	Niet ingevoerd	Pas importé
2 1 2 5	M10A	R 100 - Coupe - F-type dashboard - General export mode.	R 100 - Coupé - Instrumenten- bord type I - Algemene uitvoer	R 100 - Coupé - Tableau de bord type I - Exportation générale
2 3 2 8	M10A	For East Canada	Niet ingevoerd	Pas importé
2 3 2 9	M10A	For U.S.A.	Niet ingevoerd	Pas importé
2 3 3 4	M10A-E	RHD	Niet ingevoerd	Pas importé
2 3 3 5	M10A-E	For France	Niet ingevoerd	Pas importé
2 3 3 6	M10A-E	Coupe E-type	Niet ingevoerd	Pas importé
2 3 3 9	M10A-E	For U.S.A.	Niet ingevoerd	Pas importé

Model No	Model / Type	Description	Omschrijving	Description
2 4 1 5	M10A-4-SL	For France	Niet ingevoerd	Pas importé
2 4 1 5	M10A-4-SL	Sedan	Niet ingevoerd	Pas importé
2 4 1 7	M10A-4-SL	Arctic spec.	Niet ingevoerd	Pas importé
2 4 1 9	M10A-4-SL	RHD	Niet ingevoerd	Pas importé
2 4 1 9	M10A-4-SL	RHD	Niet ingevoerd	Pas importé
2 7 9 7	M10A	RHD	Niet ingevoerd	Pas importé

## HOW TO USE THIS PARTS CATALOG

This parts catalog is compiled for the following models.

Model : MAZDA R100 Coupe & MAZDA R100 Sedan

Model No.	Model/Type	Description
2061	M10A-4	MAZDA R100 Sedan, Plain Type Dashboard Model (L.H.D.) For France
2062	M10A-4	MAZDA R100 Sedan, Plain Type Dashboard Model (L.H.D.) General Export Model
2063	M10A-4	MAZDA R100 Sedan, Plain Type Dashboard Model (R.H.D.) General Export Model
2064	M10A-4	MAZDA R100 Sedan, Plain Type Dashboard Model (R.H.D.) For England
2112	M10A	MAZDA R100 Coupe, "T" Type Dashboard Model (L.H.D.) Arctic Spec. Model, For Finland & Norway
2113	M10A	MAZDA R100 Coupe, "T" Type Dashboard Model (L.H.D.) For West Canada
2123	M10A	MAZDA R100 Coupe, "T" Type Dashboard Model (R.H.D.) General Export Model
2124	M10A	MAZDA R100 Coupe, "T" Type Dashboard Model (L.H.D.) For Okinawa
2125	M10A	MAZDA R100 Coupe, "T" Type Dashboard Model (L.H.D.) General Export Model
2328	M10A	MAZDA R100 Coupe, "T" Type Dashboard Model (L.H.D.) For East Canada, Emission Controlled Model
2329	M10A	MAZDA R100 Coupe, "T" Type Dashboard Model (L.H.D.) For U.S.A., Emission Controlled Model
2334	M10A-E	MAZDA R100 Coupe E Type, Plain Type Dashboard (R.H.D.) General Export Model
2335	M10A-E	MAZDA R100 Coupe E Type, Plain Type Dashboard (L.H.D.) For France
2336	M10A-E	MAZDA R100 Coupe E Type, Plain Type Dashboard (L.H.D.) General Export Model
2339	M10A-E	MAZDA R100 Coupe E Type, Plain Type Dashboard (L.H.D.) For U.S.A., Emission Controlled Model
2415	M10A-4-SL	MAZDA R100 Sedan SL, "T" Type Dashboard Model (L.H.D.) For France
2416	M10A-4-SL	MAZDA R100 Sedan SL, "T" Type Dashboard Model (L.H.D.) General Export Model
2417	M10A-4-SL	MAZDA R100 Sedan SL, "T" Type Dashboard Model (L.H.D.) Arctic Spec. Model, For Finland & Norway
2418	M10A-4-SL	MAZDA R100 Sedan SL, "T" Type Dashboard Model (R.H.D.) General Export Model
2419	M10A-4-SL	MAZDA R100 Sedan SL, "T" Type Dashboard Model (R.H.D.) For England
2797	M10A	MAZDA R100 Coupe, "T" Type Dashboard Model (R.H.D.) For England

### (I) Layout

This parts catalog consists of index of groups, illustrations composition lists and index of part numbers.

Pages listing parts, with no designation of applying models signify that the parts listed therein are used in common for all models, and whenever the page lists parts for specific models, this is shown by giving the applying models on the page.

## (II) How to locate parts

1) When part number is not known.

A. Refer to index groups and locate the group to which the part belongs.



B. Open to group illustration page and locate part wanted.



C. See the number given for the part in the illustration and find corresponding number in the parts composition lists.



D. Then, you will find name and part number of the part on the right side of this number.

2) When part number is known but shape and name of part is unknown.

A. See index given at back of the parts catalog and find pages where illustration, part number and figure number is listed.



B. Open to page indicated and locate the part number in the parts composition list, and after this locate the part in the illustration by referring to figure number given at front of the part number.

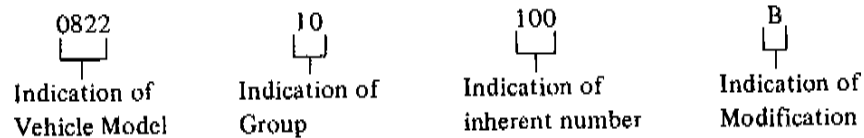


C. The corresponding figure number in the illustration is for the part required.

### On part Number

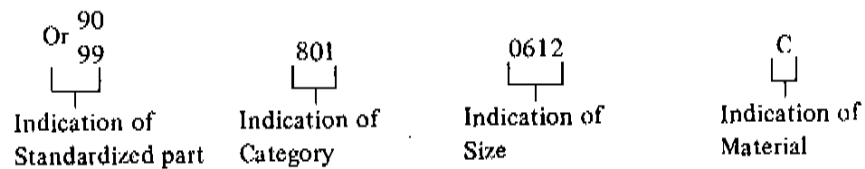
A. Exclusive parts

Example :



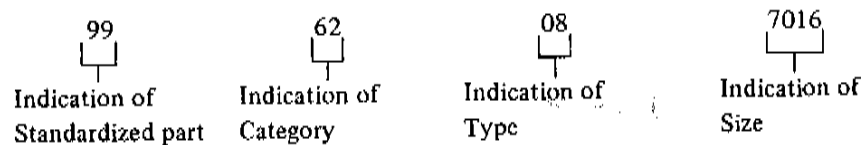
B. Standardized parts (General parts)

Example :



C. Standardized parts (Tires, Tubes, Disc Wheels, etc.)

Example :



3) On Quantity

The quantity given in parts composition list shows number of parts used per vehicle and does not indicate selling unit.

4) Other Precautions

☆ Mark— Parts marked thus are not available as replacement parts, therefore, when these parts are required, order in the form of assemblies (or sets) including these parts or in the form of parts interchangeable with these parts.

5) Abbreviations

(R) .....	Right	EX. ....	Exhaust
(L) .....	Left	IN. ....	Inlet
(C) .....	Center	T/Mission .....	Transmission
(Frnt.) .....	Front	(A) .....	Austrian Approval Mark
(Rr.) .....	Rear	(E <sub>2</sub> ) .....	ECE (Economic Commission for Europe) Approval Mark
Cpt. ....	Complete	(BS) .....	British Approval Mark
Ass'y .....	Assembly	(C) .....	Parts with Different Colours (Indicate Colour when Ordering)
Std. ....	Standard	▲ <sub>10</sub> .....	Indication of Group
O. S. ....	Over Size		
U. S. ....	Under Size		

( III ) On Groups

- 1) The figure enclosed by a triangle at the top of each page (Example ▲<sub>10</sub> ) indicates group number.
- 2) Group numbers are determined according to structure and function of parts.
- 3) The group number given in index of groups coincide with the numerals (Example ▲<sub>10</sub> ) of the illustration and parts composition pages.

( IV ) Explanation on Parts Composition Lists

1) Indication of composition of assembly.

A. The largeness of the letters used for part names are given in three sizes.

- (a) The largest letters show the largest composition of parts. Therefore, the parts printed in the largest letters always include parts printed offset to the right, and also printed in medium-size letters.
- (b) The parts printed in medium-size letters always include parts printed in the smallest letters and offset to the right.
- (c) The parts printed in smallest letters and offset to the right are always included in the parts printed in medium-sized letters or largest size letters that are located above.

(d) The parts printed in smallest letters and not offset to the right signify that these parts do not form any part of any assembly or sub assembly.

B. Indication of parts composition by spacing out between lines. In the case of an assembly or sub-assembly consisting of more than 2 parts, the space between the parts forming the assembly or sub-assembly and the other parts is widened, to clearly indicate the parts forming the assembly or sub-assembly.

(a)	—————	0329 32 110	<b>Steering Gear Ass'y</b>	1
(b)	————— 1 —	0324 32 121	Steering Gear Housing	1
(c)	—————	0820 32 130A	<b>Steering Worm Ball Nut Ass'y</b>	1
(d)	————— 2 —	0259 32 182	Ball Bearing	1
(e)	————— 3 —	0820 32 141	Sector Shaft	1
(f)	————— 4 —	99781 1092	Bolt, Steering Gear	3

(a) ..... Includes (b) to (e)

(c) ..... Includes (d)

(f) ..... Is not included in any ass'y nor sub ass'y

(V) Precautions to be taken when placing orders for parts

- 1) Always specify part number, name of part and quantity required.
- 2) Be sure to list the parts in order of part number, when filling in order sheet.
- 3) As processing of orders received by us is done by electronic computers, importance is attached to the part number. Therefore, in case the part number and name of the part do not coincide with each other, the part will be sent to you in accordance with part number.

(VI) Replacement pages and purport

Page replacements are supplied in monthly frequency as a rule, listing parts modified or newly added and month and year date will be printed in lower corner of each replacement page. Therefore it is essential that care be taken to check on these dates to confirm if the parts listed conform to the car imported, before ordering.

1) Explanation on designation given in remarks column

a. Car No. .... Chassis no. of car that modification becomes effective from.

b. <sup>70</sup>/<sub>7</sub> ..... 70 designates year of modification and numerals  
1 ~ 12 shows month of year.

c. O Mark ..... Indicates that modified part and former part are interchangeable.

- d. ※ Mark ..... Indicates that former part has been superseded by new part and is no longer available.
- e. X Mark .... Indicates that modified part and old part are not interchangeable.
- f. Δ Mark .... Indicates that old part is interchangeable with new part but it is not advisable to use old part as a replacement for cars utilizing the new part.



# INDEX

Group No.	Description	Fig. Page	Part No.
<b>Engine Parts</b>			
10	Rotor Housing (Front) ..... (General Export Model)	1	2 ~ 4
10	Rotor Housing (Front) ..... (Emission Controlled Model)	5	6 ~ 8
10	Rotor Housing (Rear) ..... (General Export Model)	9	10 ~ 12
10	Rotor Housing (Rear) ..... (Emission Controlled Model)	13	14 ~ 16
10.11	Rotor (Front) .....	17	18 ~ 20
10.11	Rotor (Rear) .....	21	22 ~ 23
13	In. & Ex. Manifold ..... (General Export Model)	24	25 ~ 26
13	In. & Ex. Manifold ..... (Emission Controlled Model)	27	28 ~ 29
13	Emission Control System .....	30	31 ~ 32
23	Carburettor ..... (General Export Model)	33 ~ 34	35 ~ 38
23	Air Cleaner ..... (R.H.D.) & For Okinawa	39	40
23	Air Cleaner (L.H.D.) .....	41	42
23	Air Cleaner ..... (Emission Controlled Model)	43	44
14	Oil Pump .....	45	46 ~ 48
23	Metering Oil Pump .....	49	50
14.15	Cooling System ..... (General Export Model)	51	52 ~ 54

# INDEX

Group No.	Description	Fig. Page	Part No.
14,15	Cooling System ..... (Emission Controlled Model)	55	56 ~ 58
15	Water Pump ..... (General Export Model)	59	60 ~ 61
15	Water Pump ..... (Emission Controlled Model)	62	63 ~ 64
16.41	Clutch Control System .....	65	66 ~ 68
17	T/Mission (Case) .....	69	70 ~ 72
17	T/Mission (Gear) .....	73	74 ~ 76
17	T/Mission (Shift Fork) .....	77	78
17	T/Mission (Change Control) .....	79	80 ~ 81
18	Electric Equipment (Engine No. 1) .....	82	83 ~ 85
18	Electric Equipment (Engine No. 2) .....	86	87 ~ 89
24	Distributor (Trailing Side) ..... (General Export Model)	90	91
24	Distributor (Leading Side) ..... (General Export Model)	92	93 ~ 94
24	Alternator ..... (General Export Model)	95	96 ~ 97
24	Starter ..... (General Export Model)	98	99 ~ 101
<b>Chassis Parts</b>			
25	Propeller Shaft .....	102	103
26	Rear Axle .....	104	105 ~ 106

# INDEX

Group No.	Description	Fig. Page	Part No.
26	Rear Brake .....	107	108 ~ 110
27	Driving .....	111	112 ~ 114
28	Rear Suspension .....	115	116 ~ 117
32	Steering System (Wheel & Gear) ..... (With Energy Absorbing Shaft)	118	119 ~ 123
32	Steering System (Wheel & Gear) ..... (With Steering Lock)	124	125 ~ 129
32	Steering System (Wheel Gear) .....	130	131 ~ 134
32	Steering System (Rod, R.H.D.) .....	135	136 ~ 137
32	Steering System (Rod, L.H.D.) ..... (Plain Type Dashboard Sedan Model)	138	139 ~ 140
32	Steering System (Rod, L.H.D.) ..... ("T" Type Dashboard & Coupe Model)	141	142 ~ 143
33	Front Axle .....	144	145 ~ 146
49	Caliper .....	147	148 ~ 149
34	Front Suspension (Spring) .....	150	151 ~ 152
34	Front Suspension (Damper) .....	153	154 ~ 155
34	Front Suspension (Cross Member) .....	156	157 ~ 158
39	Engine & T/Mission Support ..... (General Export Model)	159	160
39	Engine & T/Mission Support ..... (Emission Controlled Model)	161	162
40	Exhaust System ..... (General Export Model)	163	164 ~ 165

# INDEX

Group No.	Description	Fig. Page	Part No.
40	Exhaust System ..... (Emission Controlled Model)	166	167
42	Fuel Tank .....	168	169 ~ 171
13.45	Fuel Piping ..... (General Export Model)	172	173 ~ 174
13.45	Fuel Piping ..... (Emission Controlled Model)	175	176 ~ 177
23	Fuel Pump .....	178	179 ~ 180
41	Accelerator Control System (R.H.D.) .....	181	182
41	Accelerator Control System (L.H.D.) .....	183	184
41.43	Clutch & Brake System (R.H.D.) .....	185	186 ~ 187
41.43	Clutch & Brake System (L.H.D.) .....	188	189 ~ 190
41.43	Clutch & Brake Master Cylinder .....	191	192 ~ 193
49	Tandem Master Cylinder (R.H.D.) .....	194	195 ~ 196
49	Tandem Master Cylinder (L.H.D.) .....	197	198 ~ 199
44	Parking Brake System .....	200	201 ~ 202
43.45	Clutch & Brake Piping (R.H.D.) .....	203	204
43.45	Clutch & Brake Piping (R.H.D.) ..... (With Tandem Master Cylinder)	205	206
43.45	Clutch & Brake Piping (L.H.D.) ..... (General Export Model)	207	208
43.45	Clutch & Brake Piping (L.H.D.) ..... (Emission Controlled Model)	209	210 ~ 211

# INDEX

Group No.	Description	Fig. Page	Part No.
<b>Body Parts</b>			
50.78	Bumper .....	212	213 ~ 214
52	Bonnet Lock .....	215	216 ~ 217
52	Trunk Lid Lock .....	218	219
51~70	Body Panels (Front) .....	220	221 ~ 223
53.54	Body Panels (Side) .....	224	225 ~ 227
	(All Coupe Models)		
53.54	Body Panels (Side) .....	228	229 ~ 231
	(All Sedan Models)		
52~70	Body Panel (Floor, Rear & Roof) .....	232	233 ~ 238
55.68	Dashboard (Meter & Switch, R.H.D.) .....	239	240 ~ 244
	("T" Type Dashboard Model)		
55.68	Dashboard (Meter & Switch, L.H.D.) .....	245	246 ~ 250
	("T" Type Dashboard Model)		
55.60	Dashboard (Meter & Switch, R.H.D.) .....	251	252 ~ 254
	(Plain Type Dashboard Model)		
55.60	Dashboard (Meter & Switch, L.H.D.) .....	255	256 ~ 258
	(Plain Type Dashboard Model)		
55	Meter (R.H.D.) .....	259	260 ~ 261
	("T" Type Dashboard Model)		
55	Meter (L.H.D.) .....	262	263 ~ 264
	("T" Type Dashboard Model)		
55.75	Meter (R.H.D.) .....	265	266
	(Plain Type Dashboard Model)		
55.75	Meter (L.H.D.) .....	267	268
	(Plain Type Dashboard Model)		
57	Seat (R.H.D.) .....	269	270 ~ 273
	(All Coupe Models)		

# INDEX

Group No.	Description	Fig. Page	Part No.
57	Seat (L.H.D.) ..... (All Coupe Models)	274	275 ~ 279
57	Seat ..... ("T" Type Dashboard Sedan Model)	280	281 ~ 284
57	Seat ..... (Plain Type Dashboard Sedan Model)	285	286 ~ 289
58.59	Front Side Door (Glass) .....	290	291 ~ 294
58.59	Front Side Door (Lock) .....	295	296 ~ 300
61.76	Car Heater (R.H.D.) ..... ("T" Type Dashboard Model)	301	302 ~ 305
61.76	Car Heater (L.H.D.) ..... ("T" Type Dashboard Model)	306	307 ~ 310
61.76	Car Heater (L.H.D., Powerful Type) ..... ("T" Type Dashboard Model)	311	312 ~ 315
61.76	Car Heater (R.H.D.) (Nippon Radiator Make) ..... (Plain Type Dashboard Model)	316	317 ~ 320
61.76	Car Heater (R.H.D.) (Denso Make) ..... (Plain Type Dashboard Model)	321	322 ~ 325
61.76	Car Heater (L.H.D.) ..... (Plain Type Dashboard Model)	326	327 ~ 330
66	Lamps (Front Side) ..... (Canada & U. S. A. Model)	331	332 ~ 333
66	Lamps (Front Side) ..... (General Export Model)	334	335 ~ 339
66	Lamps (Rear Side) ..... (Canada & U. S. A. Model)	340	341 ~ 343
66	Lamps (Rear Side) ..... (General Export Model)	344	345 ~ 347
66.67	Electric Equipment (Body, R.H.D.) ..... (All Coupe Models)	348	349 ~ 352
66.67	Electric Equipment (Body, L.H.D.) ..... (General Export Coupe Model)	353	354 ~ 357

# INDEX

Group No.	Description	Fig. Page	Part No.
66.67	Electric Equipment (Body, L.H.D.) ..... (Canada & U. S. A. Coupe Model)	358	359 ~ 362
66.67	Electric Equipment (Body, R.H.D.) ..... (All Sedan Models)	363	364 ~ 367
66.67	Electric Equipment (Body, L.H.D.) ..... (All Sedan Models)	368	369 ~ 372
66.87	Windshield Wiper .....	373	374 ~ 375
87	Wiper Motor .....	376	377
66.87	Windshield Washer .....	378	379
66	Auto Radio ..... ("T" Type Dashboard Model)	380	381 ~ 382
66	Auto Radio ..... (Plain Type Dashboard Model)	383	384 ~ 385
66.68	Crush Pad & Glove Box (R.H.D.) ..... ("T" Type Dashboard Model)	386	387 ~ 389
66.68	Crush Pad & Glove Box (L.H.D.) ..... ("T" Type Dashboard Model)	390	391 ~ 393
68.70	Crush Pad, Glove Pocket & Console Box ..... (Plain Type Dashboard Model)	394	395 ~ 398
68	Service Tools .....	399	400 ~ 401
69	Attachment ..... (All Coupe Models)	402	403 ~ 406
69	Attachment ..... (All Sedan Models)	407	408 ~ 410
69	Trim & Top Ceiling ..... ("T" Type Dashboard Coupe Model)	411	412 ~ 413
69	Trim & Top Ceiling ..... (Plain Type Dashboard Coupe Model)	414	415
69	Trim & Top Ceiling ..... (All Sedan Models)	416	417 ~ 418

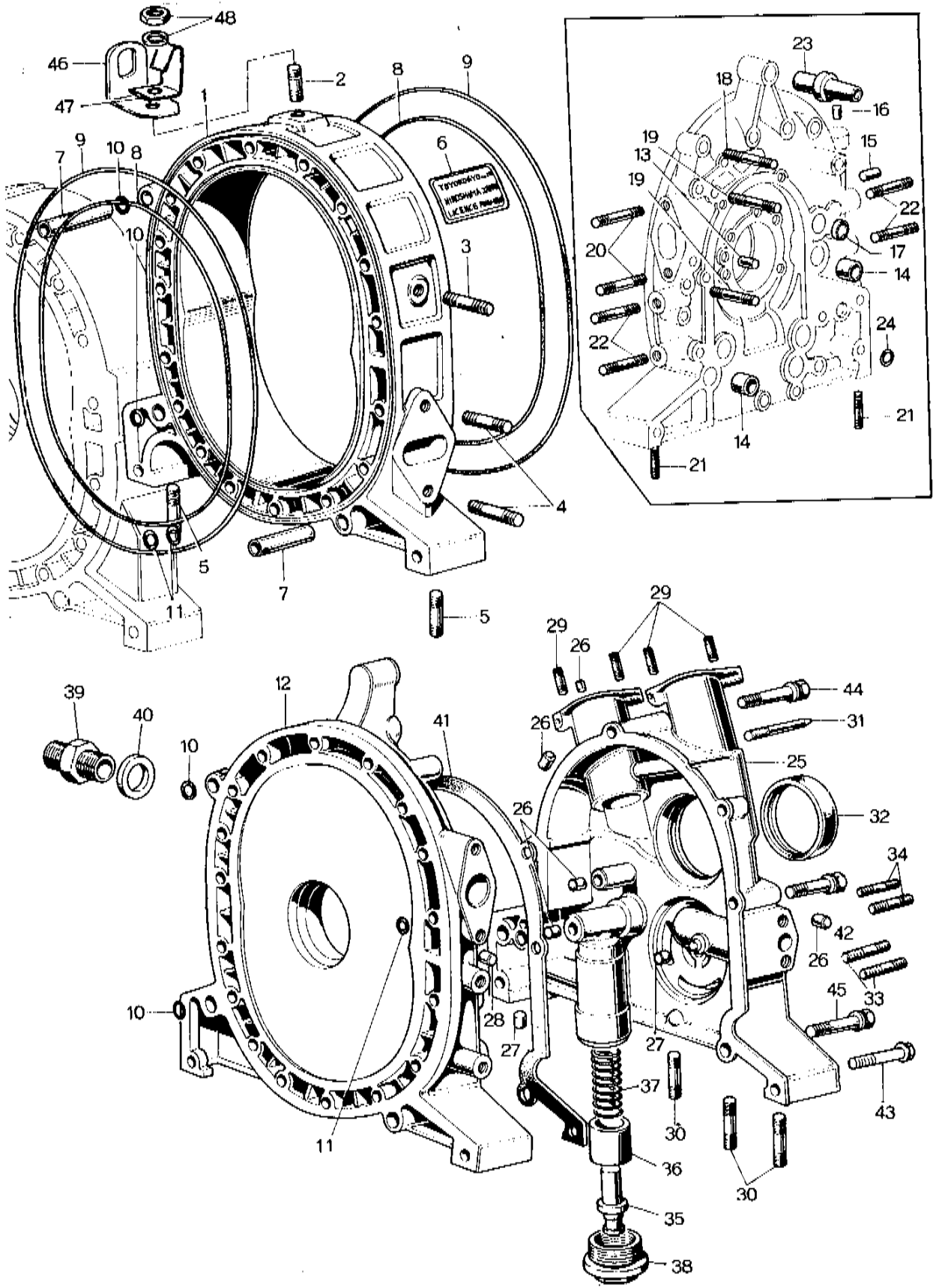
# INDEX

Group No.	Description	Fig. Page	Part No.
69	Floor Mat & Trim (R.H.D.) ..... (“T” Type Dashboard Coupe Model)	419	420 ~ 421
69	Floor Mat & Trim (L.H.D.) ..... (“T” Type Dashboard Coupe Model)	422	423 ~ 425
69	Floor Mat & Trim ..... (Plain Type Dashboard Coupe Model)	426	427 ~ 428
69	Floor Mat & Trim ..... (“T” Type Dashboard Sedan Model)	429	430 ~ 431
69	Floor Mat & Trim ..... (Plain Type Dashboard Sedan Model)	432	433 ~ 434
70.71	Window Glass & Moulding ..... (All Coupe Models)	435	436 ~ 438
70.71	Window Glass & Moulding ..... (All Sedan Models)	439	440 ~ 441
70.71	Ventilator ..... (“T” Type Dashboard Model)	442	443 ~ 444
70.71	Ventilator ..... (Plain Type Dashboard Model)	445	446 ~ 447
72.73	Rear Side Door (Glass) ..... (All Sedan Models)	448	449 ~ 451
72.73	Rear Side Door (Lock) ..... (All Sedan Models)	452	453 ~ 456
09	Key Set ..... (All Coupe Models)	457	458 ~ 459
09	Key Set ..... (All Sedan Models)	460	461 ~ 462
78	Car Cooler (R.H.D.) ..... (“T” Type Dashboard Model)	463	464 ~ 467
78	Car Cooler (L.H.D.) ..... (“T” Type Dashboard Model)	468	469 ~ 472
	Index .....		473 ~ 524



# ROTOR HOUSING (FRONT)

(GENERAL EXPORT MODEL)



# ROTOR HOUSING (FRONT) (GENERAL EXPORT MODEL)



No.	Part Number	Description	Q'ty	Remarks
1	0822 10 100C	ROTOR HOUSING Ass'y (Fr.)	1	
	0822 10 100D	ROTOR HOUSING Ass'y (Fr.)	1	
	0822 10 100E	ROTOR HOUSING Ass'y (Fr.)	1	Car No. 63909 <sup>70</sup> / <sub>7</sub> ~ O
	0822 10 100F	ROTOR HOUSING Ass'y (Fr.)	1	Car No. 64624 <sup>70</sup> / <sub>8</sub> ~ X
2	99851 0814	Stud, Engine Hanger	1	Car No. 94734 <sup>71</sup> / <sub>4</sub> ~ X
3	99851 0870	Stud, Inlet Manifold	1	
4	99851 1028	Stud, Exhaust Manifold	2	
5	99851 0614	Stud, Oil Pan	2	Car No. 64624 <sup>70</sup> / <sub>8</sub> ~ Discarded
	9080 62 6 16	Bolt & Washer	2	Car No. 64624 <sup>70</sup> / <sub>8</sub> ~ Added Anew
6	0813 10 405	Licence Mark	1	
7	0813 10 111	Tubular Dowel	2	
8	0810 10 171	Sealing Rubber, Inner	2	
9	0813 10 172	Sealing Rubber, Outer	2	
10	0813 10 173	"O" Ring, Tubular Dowel Hole	4	
11	0813 10 174	"O" Ring, Tension Bolt Hole	36	Car No. 94733 <sup>71</sup> / <sub>4</sub> ~ Discarded
	0820 23 040	"O" Ring Set (No. 8 ~ No. 11 included)	1	
12	0839 10 200B	FRONT HOUSING Ass'y	1	
	2123 10 200	FRONT HOUSING Ass'y	1	Car No. 64624 <sup>70</sup> / <sub>8</sub> ~ O
	2123 10 200C	FRONT HOUSING Ass'y	1	Car No. 82291 <sup>71</sup> / <sub>1</sub> ~ O
	2123 10 200D	FRONT HOUSING Ass'y	1	Car No. 87033 <sup>71</sup> / <sub>1</sub> ~ O
	2123 10 200G	FRONT HOUSING Ass'y	1	Car No. 95859 <sup>71</sup> / <sub>4</sub> ~ O
	2113 10 200B	FRONT HOUSING Ass'y for West Canada	1	Car No. 64614 <sup>70</sup> / <sub>8</sub> ~ O
	2113 10 200E	FRONT HOUSING Ass'y Arctic Spec. Model	1	Car No. 83040 <sup>71</sup> / <sub>1</sub> ~ X
	2113 10 200F	FRONT HOUSING Ass'y	1	Car No. 87033 <sup>71</sup> / <sub>1</sub> ~ O
	2113 10 200I	FRONT HOUSING Ass'y	1	Car No. 95859 <sup>71</sup> / <sub>4</sub> ~ O
13	0829 10 203	Knock Pin, Gear	1	
	0839 10 203	Pin, Dowel	1	Car No. 83040 <sup>71</sup> / <sub>1</sub> ~ X
14	0813 10 204	Tubular Dowel	2	
15	99307 0800	Blind Plug	1	
	0839 10 206	Blind Plug	1	Car No. 95859 <sup>71</sup> / <sub>4</sub> ~ O
16	99307 1000	Blind Plug	1	
	99307 1200	Blind Plug	3	Car No. 83040 <sup>71</sup> / <sub>1</sub> ~ X
	0839 10 205	Blind Plug	3	Car No. 95859 <sup>71</sup> / <sub>4</sub> ~ O
17	99306 3000	Blind Plug, water	4	
18	99852 0850	Stud, Water Pump	1	Car No. 83040 <sup>71</sup> / <sub>1</sub> ~ Discarded
19	99852 0878	Stud, Water Pump	3	
20	99852 0822	Stud, Inlet Manifold	2	
21	99852 0614	Stud, Oil Pan	2	
22	99859 1220	Stud, Mounting	4	

# ROTOR HOUSING (FRONT)

## (GENERAL EXPORT MODEL)

No.	Part Number	Description	Q'ty	Remarks
23	0820 18 311	Alternator Bracket	1	
24	0813 10 174	"O" Ring	1	
(N)	2113 10 206	Blind Plug	1	Car No. 64615 $\frac{7}{8}$ ~Added Anew
25	0820 10 600E	FRONT COVER Ass'y	1	
	0820 10 600F	FRONT COVER Ass'y	1	Car No. 64624 $\frac{7}{8}$ ~ O
	0839 10 600	FRONT COVER Ass'y	1	Car No. 83040 $\frac{7}{8}$ ~ X
26	99307 0600	Blind Plug	5	
27	99307 1200	Blind Plug	2	Car No. 83040 $\frac{7}{8}$ ~ Discarded
28	99307 1400	Blind Plug	1	Car No. 83040 $\frac{7}{8}$ ~ Discarded
29	99851 0818	Stud, Distributor	4	
30	99851 0614	Stud, Oil Pan	6	
31	0820 10 631A	Top Indicator Pin	1	
32	0813 10 605	Oil Seal	1	
	0820 10 605	Oil Seal	1	Car No. 65849 $\frac{7}{8}$ ~ O
33	99851 0645	Stud	2	
34	99852 0645	Stud	2	Car No. 83040 $\frac{7}{8}$ ~ Discarded
35	0813 10 611	Pellet	1	
36	0813 10 612	Slide Valve	1	Car No. 83039 $\frac{7}{8}$ ~ Discarded
	0850 14 115	Plunger	1	Car No. 83040 $\frac{7}{8}$ ~ Added Anew
37	0813 10 613	Return Spring	1	
	0850 14 273	Return Spring	1	Car No. 83040 $\frac{7}{8}$ ~ X
38	0820 10 614	Plug, Pellet	1	
	0221 14 117	Plug, Pellet	1	Car No. 83040 $\frac{7}{8}$ ~ X
39	99384 1200	Union Joint	1	
40	99562 1600	Packing	1	
41	0820 10 641C	Gasket, Front Cover	1	
	0839 10 641	Gasket, Front Cover	1	Car No. 83040 $\frac{7}{8}$ ~ X
42	908016 8 35	Set Bolt, Front Cover	3	
	908016 8 40	Set Bolt, Front Cover	4	Car No. 83040 $\frac{7}{8}$ ~ X
43	908016 8 45	Set Bolt, Front Cover	2	Car No. 83039 $\frac{7}{8}$ ~ Discarded
44	908016 8 65	Set Bolt, Front Cover	1	Car No. 66862 $\frac{7}{8}$ ~ Discarded
	99801 08 65	Bolt	1	
	99971 0800	Spring Washer	1	
	99952 0800	Plain Washer	1	Car No. 66862 $\frac{7}{8}$ ~ Added Anew

# ROTOR HOUSING (FRONT) (GENERAL EXPORT MODEL)


 Mazda R100 Parts Catalogs Vol 1 Small  
 File No. 10  
 Download: <http://manualplace.com/download/mazda-r100-parts-catalogs-vol-1-small/>

No.	Part Number	Description	Q'ty	Remarks
45	908016 8 75	Set Bolt, Front Cover	2	Car No. 66862 <sup>70</sup> / <sub>9</sub> ~ Discarded
	99801 0875	Bolt	2	
	99971 0800	Spring Washer	2	Car No. 66862 <sup>70</sup> / <sub>9</sub> ~ Added Anew
	99952 0800	Plain Washer	2	
46	0820 10 861	Hanger, Engine	1	Car No. 95206 <sup>71</sup> / <sub>4</sub> ~ O
	2869 10 860	Hanger, Engine	1	
47	0820 14 642	Clip	1	
48	99901 0800	Nut, Hanger	1	
	99971 0800	Spring Washer	1	
	0820 99 100D	Packing Set—Engine	1	Use up to Car No. 83672 <sup>71</sup> / <sub>1</sub> ~ X

This is the cut pages sample. Download all 609 page(s) at: [ManualPlace.com](http://ManualPlace.com)