

**09-17 INTERIOR TRIM**

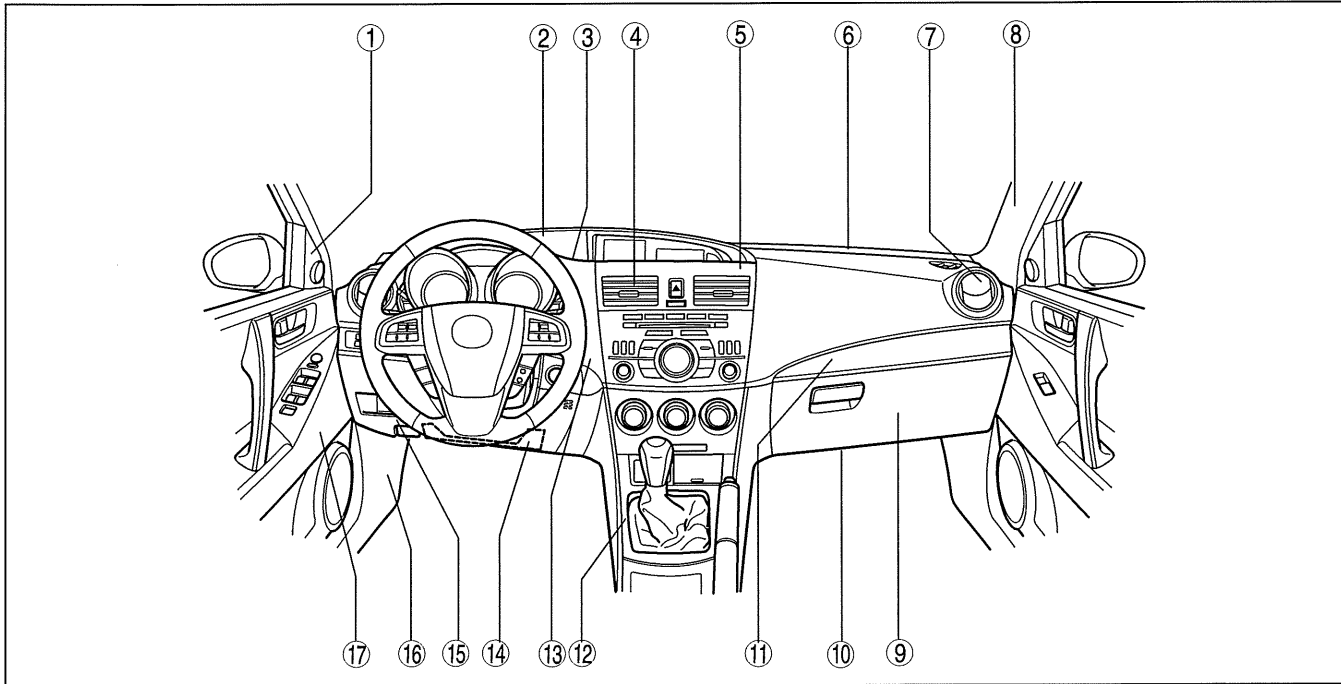
|  |          |
|--|----------|
| INTERIOR TRIM LOCATION INDEX. . . . .  | 09-17-2  |
| <b>DASHBOARD</b>                       |          |
| REMOVAL/INSTALLATION. . . . .          | 09-17-5  |
| Bolt F Installation Note. . . . .      | 09-17-12 |
| <b>DASHBOARD UPPER PANEL</b>           |          |
| REMOVAL/INSTALLATION. . . . .          | 09-17-14 |
| Vehicles Without Bose®. . . . .        | 09-17-14 |
| Vehicles With Bose®. . . . .           | 09-17-16 |
| <b>CENTER COVER</b>                    |          |
| REMOVAL/INSTALLATION. . . . .          | 09-17-19 |
| <b>DASHBOARD</b>                       |          |
| DISASSEMBLY/ASSEMBLY. . . . .          | 09-17-21 |
| <b>COLUMN COVER</b>                    |          |
| REMOVAL/INSTALLATION. . . . .          | 09-17-22 |
| <b>CENTER PANEL</b>                    |          |
| REMOVAL/INSTALLATION. . . . .          | 09-17-24 |
| <b>HOLE COVER</b>                      |          |
| REMOVAL/INSTALLATION. . . . .          | 09-17-25 |
| With Car-navigation system. . . . .    | 09-17-25 |
| Without Car-navigation system. . . . . | 09-17-26 |
| <b>LOWER PANEL</b>                     |          |
| REMOVAL/INSTALLATION. . . . .          | 09-17-27 |
| Driver-side. . . . .                   | 09-17-27 |
| Passenger-side. . . . .                | 09-17-29 |
| <b>SIDE PANEL</b>                      |          |
| REMOVAL/INSTALLATION. . . . .          | 09-17-31 |
| <b>GLOVE COMPARTMENT</b>               |          |
| REMOVAL/INSTALLATION. . . . .          | 09-17-33 |
| <b>VENTILATOR GRILLE</b>               |          |
| REMOVAL/INSTALLATION. . . . .          | 09-17-34 |
| Side Ventilator grille. . . . .        | 09-17-34 |
| Center Ventilator grille. . . . .      | 09-17-35 |
| <b>KNEE BOLSTER</b>                    |          |
| REMOVAL/INSTALLATION. . . . .          | 09-17-36 |
| <b>SIDE WALL</b>                       |          |
| REMOVAL/INSTALLATION. . . . .          | 09-17-37 |
| <b>DASHBOARD UNDER COVER</b>           |          |
| REMOVAL/INSTALLATION. . . . .          | 09-17-39 |
| <b>UPPER PANEL</b>                     |          |
| REMOVAL/INSTALLATION. . . . .          | 09-17-40 |
| <b>SHIFT PANEL</b>                     |          |
| REMOVAL/INSTALLATION. . . . .          | 09-17-42 |
| ATX. . . . .                           | 09-17-42 |
| MTX. . . . .                           | 09-17-44 |
| <b>CONSOLE</b>                         |          |
| REMOVAL/INSTALLATION. . . . .          | 09-17-45 |
| <b>DECORATION PANEL</b>                |          |
| REMOVAL/INSTALLATION. . . . .          | 09-17-49 |
| <b>A-PILLAR TRIM</b>                   |          |
| REMOVAL/INSTALLATION. . . . .          | 09-17-50 |
| <b>FRONT SIDE TRIM</b>                 |          |
| REMOVAL/INSTALLATION. . . . .          | 09-17-53 |
| <b>TIRE HOUSE TRIM</b>                 |          |
| REMOVAL/INSTALLATION. . . . .          | 09-17-54 |
| 4SD. . . . .                           | 09-17-54 |
| 5HB. . . . .                           | 09-17-56 |
| <b>REAR PACKAGE TRIM</b>               |          |
| REMOVAL/INSTALLATION. . . . .          | 09-17-57 |

|                                     |           |
|-------------------------------------|-----------|
| <b>B-PILLAR LOWER TRIM</b>          |           |
| REMOVAL/INSTALLATION. . . . .       | 09-17-59  |
| <b>B-PILLAR UPPER TRIM</b>          |           |
| REMOVAL/INSTALLATION. . . . .       | 09-17-61  |
| <b>C-PILLAR TRIM</b>                |           |
| REMOVAL/INSTALLATION. . . . .       | 09-17-63  |
| 4SD. . . . .                        | 09-17-63  |
| 5HB. . . . .                        | 09-17-66  |
| <b>FRONT SCUFF PLATE</b>            |           |
| REMOVAL/INSTALLATION. . . . .       | 09-17-67  |
| <b>REAR SCUFF PLATE</b>             |           |
| REMOVAL/INSTALLATION. . . . .       | 09-17-68  |
| <b>INNER GARNISH</b>                |           |
| REMOVAL/INSTALLATION. . . . .       | 09-17-69  |
| <b>FUEL-FILLER LID OPENER</b>       |           |
| BEZEL REMOVAL/INSTALLATION. . . . . | 09-17-70  |
| <b>REAR DOOR TRIM</b>               |           |
| DISASSEMBLY/ASSEMBLY. . . . .       | 09-17-71  |
| <b>TRUNK END TRIM</b>               |           |
| REMOVAL/INSTALLATION. . . . .       | 09-17-72  |
| 4SD. . . . .                        | 09-17-72  |
| 5HB. . . . .                        | 09-17-73  |
| <b>TRUNK SIDE TRIM</b>              |           |
| REMOVAL/INSTALLATION. . . . .       | 09-17-74  |
| 4SD. . . . .                        | 09-17-74  |
| 5HB. . . . .                        | 09-17-76  |
| <b>TRUNK SIDE UPPER TRIM</b>        |           |
| REMOVAL/INSTALLATION. . . . .       | 09-17-78  |
| <b>FRONT DOOR TRIM</b>              |           |
| REMOVAL/INSTALLATION. . . . .       | 09-17-79  |
| <b>FRONT DOOR TRIM</b>              |           |
| DISASSEMBLY/ASSEMBLY. . . . .       | 09-17-86  |
| Driver-side. . . . .                | 09-17-86  |
| Passenger-side. . . . .             | 09-17-87  |
| <b>REAR DOOR TRIM</b>               |           |
| REMOVAL/INSTALLATION. . . . .       | 09-17-88  |
| <b>TRUNK BOARD</b>                  |           |
| REMOVAL/INSTALLATION. . . . .       | 09-17-95  |
| <b>LIFTGATE UPPER TRIM</b>          |           |
| REMOVAL/INSTALLATION. . . . .       | 09-17-97  |
| <b>LIFTGATE SIDE TRIM</b>           |           |
| REMOVAL/INSTALLATION. . . . .       | 09-17-99  |
| <b>LIFTGATE LOWER TRIM</b>          |           |
| REMOVAL/INSTALLATION. . . . .       | 09-17-102 |
| <b>TRUNK LID TRIM</b>               |           |
| REMOVAL/INSTALLATION. . . . .       | 09-17-104 |
| <b>ASSIST HANDLE</b>                |           |
| REMOVAL/INSTALLATION. . . . .       | 09-17-104 |
| Assist Handle Removal. . . . .      | 09-17-104 |
| Assist Handle Installation. . . . . | 09-17-105 |
| <b>SUNVISOR</b>                     |           |
| REMOVAL/INSTALLATION. . . . .       | 09-17-106 |
| <b>HEADLINER</b>                    |           |
| REMOVAL/INSTALLATION. . . . .       | 09-17-107 |
| <b>FLOOR COVERING</b>               |           |
| REMOVAL/INSTALLATION. . . . .       | 09-17-110 |

# INTERIOR TRIM

## INTERIOR TRIM LOCATION INDEX

id091700800200



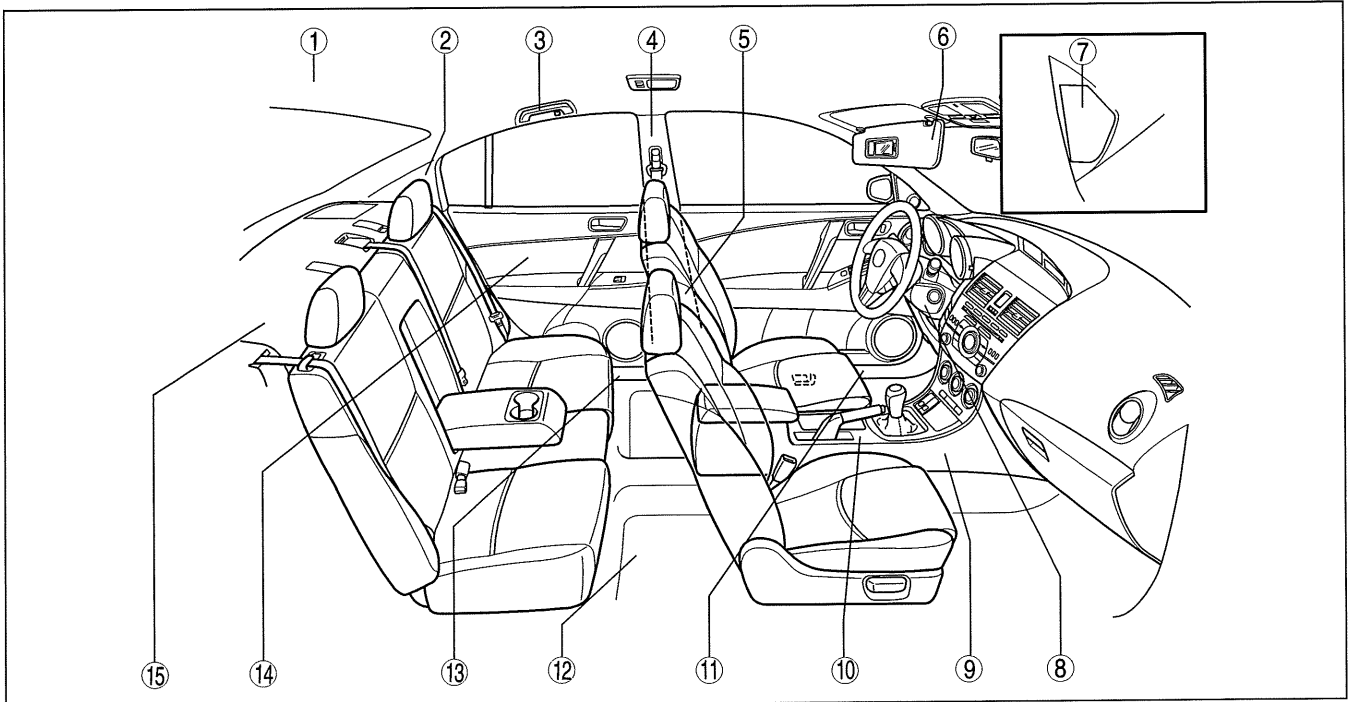
am3uuw0000497

|   |  |
|---|--|
| 1 | Inner garnish<br>(See 09-17-69 INNER GARNISH REMOVAL/<br>INSTALLATION.)  |
| 2 | Hole cover<br>(See 09-17-25 HOLE COVER REMOVAL/<br>INSTALLATION.)  |
| 3 | Dash board upper panel<br>(See 09-17-14 DASHBOARD UPPER PANEL<br>REMOVAL/INSTALLATION.)                              |
| 4 | Center ventilator grille<br>(See 09-17-34 VENTILATOR GRILLE REMOVAL/<br>INSTALLATION.)                               |
| 5 | Center panel<br>(See 09-17-24 CENTER PANEL REMOVAL/<br>INSTALLATION.)  |
| 6 | Dashboard<br>(See 09-17-5 DASHBOARD REMOVAL/<br>INSTALLATION.)<br>(See 09-17-21 DASHBOARD DISASSEMBLY/<br>ASSEMBLY.) |
| 7 | Side ventilator grille<br>(See 09-17-34 VENTILATOR GRILLE REMOVAL/<br>INSTALLATION.)                                 |
| 8 | A-pillar trim<br>(See 09-17-50 A-PILLAR TRIM REMOVAL/<br>INSTALLATION.)  |
| 9 | Glove compartment<br>(See 09-17-33 GLOVE COMPARTMENT<br>REMOVAL/INSTALLATION.)                                       |

|    |  |
|----|--|
| 10 | Dashboard under cover<br>(See 09-17-39 DASHBOARD UNDER COVER<br>REMOVAL/INSTALLATION.)   |
| 11 | Decoration panel<br>(See 09-17-49 DECORATION PANEL REMOVAL/<br>INSTALLATION.)  |
| 12 | Shift panel<br>(See 09-17-42 SHIFT PANEL REMOVAL/<br>INSTALLATION.)  |
| 13 | Center cover<br>(See 09-17-19 CENTER COVER REMOVAL/<br>INSTALLATION.)  |
| 14 | Knee bolster<br>(See 09-17-36 KNEE BOLSTER REMOVAL/<br>INSTALLATION.)  |
| 15 | Lower panel<br>(See 09-17-27 LOWER PANEL REMOVAL/<br>INSTALLATION.)  |
| 16 | Front side trim<br>(See 09-17-53 FRONT SIDE TRIM REMOVAL/<br>INSTALLATION.)  |
| 17 | Front door trim<br>(See 09-17-79 FRONT DOOR TRIM REMOVAL/<br>INSTALLATION.)<br>(See 09-17-86 FRONT DOOR TRIM<br>DISASSEMBLY/ASSEMBLY.) |

# INTERIOR TRIM

4SD



am3uuw0000497

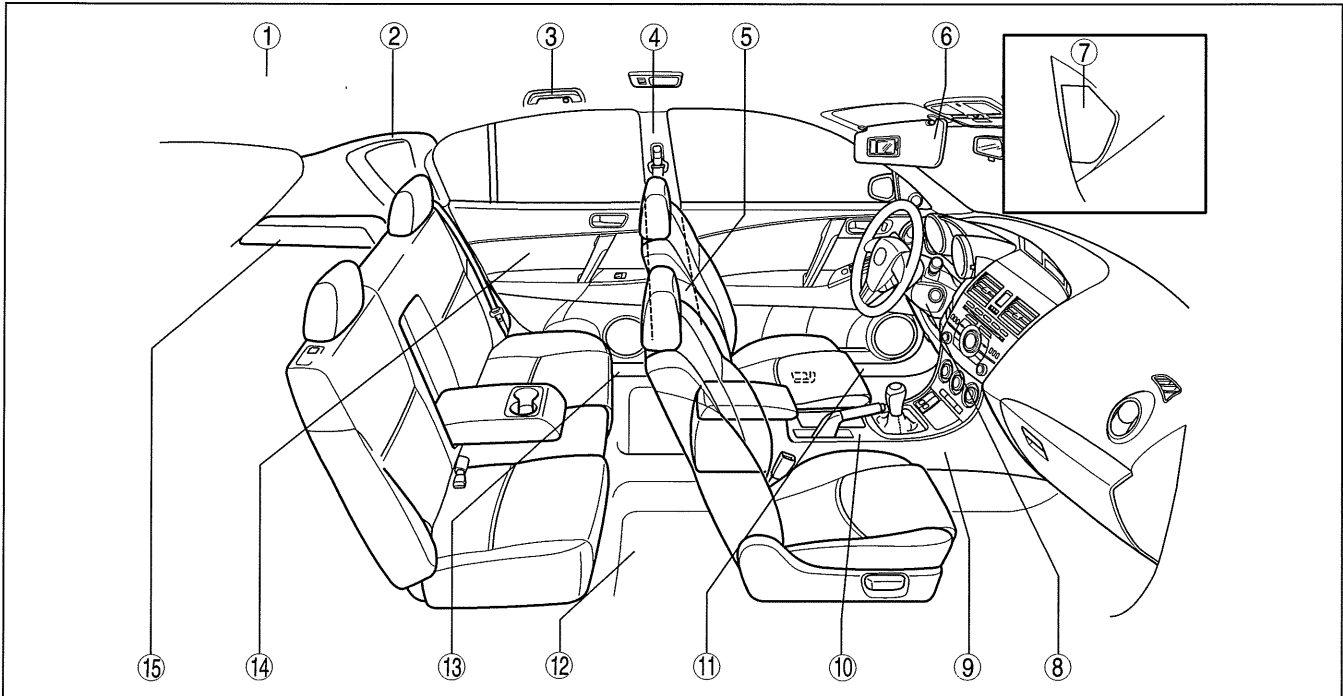
|   |   |
|---|---|
| 1 | Headliner<br>(See 09-17-107 HEADLINER REMOVAL/<br>INSTALLATION.)                    |
| 2 | C-pillar trim<br>(See 09-17-63 C-PILLAR TRIM REMOVAL/<br>INSTALLATION.)             |
| 3 | Assist handle<br>(See 09-17-104 ASSIST HANDLE REMOVAL/<br>INSTALLATION.)            |
| 4 | B-pillar upper trim<br>(See 09-17-61 B-PILLAR UPPER TRIM REMOVAL/<br>INSTALLATION.) |
| 5 | B-pillar lower trim<br>(See 09-17-59 B-PILLAR LOWER TRIM REMOVAL/<br>INSTALLATION.) |
| 6 | Sunvisor<br>(See 09-17-106 SUNVISOR REMOVAL/<br>INSTALLATION.)                      |
| 7 | Side panel<br>(See 09-17-31 SIDE PANEL REMOVAL/<br>INSTALLATION.)                   |
| 8 | Column cover<br>(See 09-17-22 COLUMN COVER REMOVAL/<br>INSTALLATION.)               |

|    |  |
|----|--|
| 9  | Console<br>(See 09-17-45 CONSOLE REMOVAL/<br>INSTALLATION.)  |
| 10 | Upper panel<br>(See 09-17-40 UPPER PANEL REMOVAL/<br>INSTALLATION.)  |
| 11 | Front scuff plate<br>(See 09-17-67 FRONT SCUFF PLATE REMOVAL/<br>INSTALLATION.)  |
| 12 | Floor covering<br>(See 09-17-110 FLOOR COVERING REMOVAL/<br>INSTALLATION.)   |
| 13 | Rear scuff plate<br>(See 09-17-68 REAR SCUFF PLATE REMOVAL/<br>INSTALLATION.)  |
| 14 | Rear door trim<br>(See 09-17-88 REAR DOOR TRIM REMOVAL/<br>INSTALLATION.)<br>(See 09-17-71 REAR DOOR TRIM DISASSEMBLY/<br>ASSEMBLY.) |
| 15 | Rear package trim<br>(See 09-17-57 REAR PACKAGE TRIM REMOVAL/<br>INSTALLATION.)  |

09-17

# INTERIOR TRIM

5HB

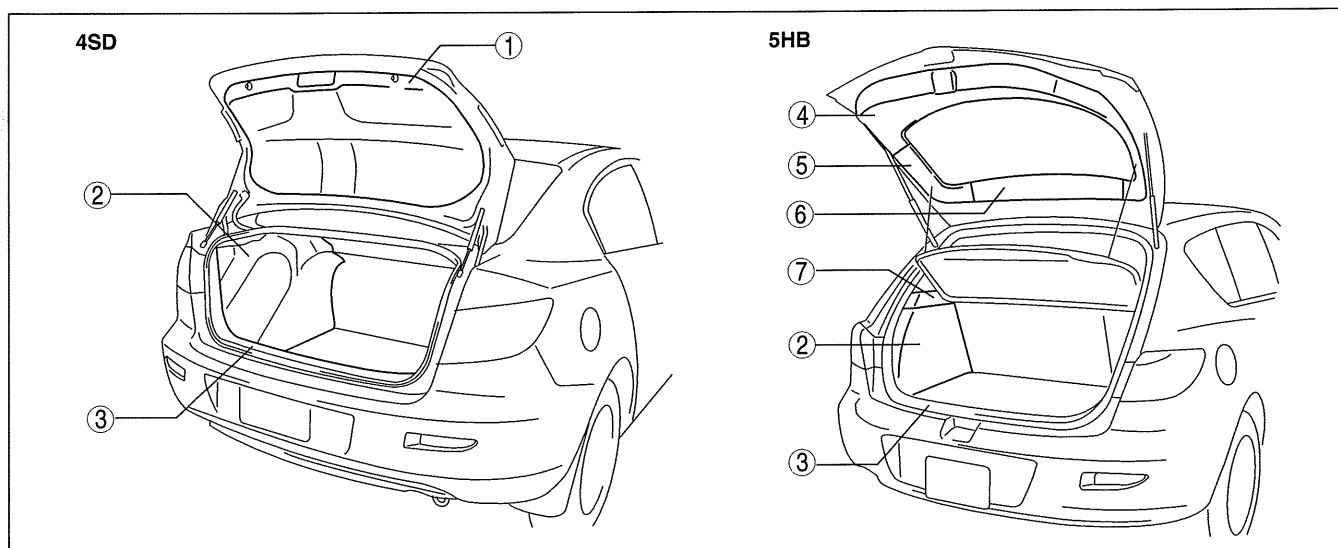


am3uuw0000524

|   |   |
|---|---|
| 1 | Headliner<br>(See 09-17-107 HEADLINER REMOVAL/<br>INSTALLATION.)                    |
| 2 | C-pillar trim<br>(See 09-17-63 C-PILLAR TRIM REMOVAL/<br>INSTALLATION.)             |
| 3 | Assist handle<br>(See 09-17-104 ASSIST HANDLE REMOVAL/<br>INSTALLATION.)            |
| 4 | B-pillar upper trim<br>(See 09-17-61 B-PILLAR UPPER TRIM REMOVAL/<br>INSTALLATION.) |
| 5 | B-pillar lower trim<br>(See 09-17-59 B-PILLAR LOWER TRIM REMOVAL/<br>INSTALLATION.) |
| 6 | Sunvisor<br>(See 09-17-106 SUNVISOR REMOVAL/<br>INSTALLATION.)                      |
| 7 | Side panel<br>(See 09-17-31 SIDE PANEL REMOVAL/<br>INSTALLATION.)                   |
| 8 | Column cover<br>(See 09-17-22 COLUMN COVER REMOVAL/<br>INSTALLATION.)               |

|    |  |
|----|--|
| 9  | Console<br>(See 09-17-45 CONSOLE REMOVAL/<br>INSTALLATION.)  |
| 10 | Upper panel<br>(See 09-17-40 UPPER PANEL REMOVAL/<br>INSTALLATION.)  |
| 11 | Front scuff plate<br>(See 09-17-67 FRONT SCUFF PLATE REMOVAL/<br>INSTALLATION.)  |
| 12 | Floor covering<br>(See 09-17-110 FLOOR COVERING REMOVAL/<br>INSTALLATION.)   |
| 13 | Rear scuff plate<br>(See 09-17-68 REAR SCUFF PLATE REMOVAL/<br>INSTALLATION.)  |
| 14 | Rear door trim<br>(See 09-17-88 REAR DOOR TRIM REMOVAL/<br>INSTALLATION.)<br>(See 09-17-71 REAR DOOR TRIM DISASSEMBLY/<br>ASSEMBLY.) |
| 15 | Trunk side upper trim<br>(See 09-17-78 TRUNK SIDE UPPER TRIM<br>REMOVAL/INSTALLATION.)   |

## INTERIOR TRIM



am3uuw0000497

|   |  |
|---|--|
| 1 | Trunk lid trim<br>(See 09-17-104 TRUNK LID TRIM REMOVAL/INSTALLATION.)           |
| 2 | Trunk side trim<br>(See 09-17-74 TRUNK SIDE TRIM REMOVAL/INSTALLATION.)          |
| 3 | Trunk end trim<br>(See 09-17-72 TRUNK END TRIM REMOVAL/INSTALLATION.)            |
| 4 | Liftgate lower trim<br>(See 09-17-102 LIFTGATE LOWER TRIM REMOVAL/INSTALLATION.) |

|   |   |
|---|---|
| 5 | Liftgate side trim<br>(See 09-17-99 LIFTGATE SIDE TRIM REMOVAL/INSTALLATION.)       |
| 6 | Liftgate upper trim<br>(See 09-17-97 LIFTGATE UPPER TRIM REMOVAL/INSTALLATION.)     |
| 7 | Trunk side upper trim<br>(See 09-17-78 TRUNK SIDE UPPER TRIM REMOVAL/INSTALLATION.) |

09-17

## DASHBOARD REMOVAL/INSTALLATION

id091700800300

1. Set the air intake mode to FRESH.
2. Set the air mix mode to MAX COLD.
3. Disconnect the negative battery cable.
4. Remove the following parts:
  - (1) Front doors (See 09-11-3 FRONT DOOR REMOVAL/INSTALLATION.)
  - (2) Front scuff plate (See 09-17-67 FRONT SCUFF PLATE REMOVAL/INSTALLATION.)
  - (3) Front side trim (See 09-17-53 FRONT SIDE TRIM REMOVAL/INSTALLATION.)
  - (4) Dashboard under cover (See 09-17-39 DASHBOARD UNDER COVER REMOVAL/INSTALLATION.)
  - (5) Glove compartment (See 09-17-33 GLOVE COMPARTMENT REMOVAL/INSTALLATION.)
  - (6) Upper panel (See 09-17-40 UPPER PANEL REMOVAL/INSTALLATION.)
  - (7) Shift lever knob (MTX) (See 05-16-2 MANUAL TRANSAXLE SHIFT MECHANISM REMOVAL/INSTALLATION.)
  - (8) Selector lever knob (ATX) (See 05-18-2 AUTOMATIC TRANSAXLE SHIFT MECHANISM REMOVAL/INSTALLATION.)
  - (9) Shift panel (See 09-17-42 SHIFT PANEL REMOVAL/INSTALLATION.)
  - (10) Side wall (See 09-17-37 SIDE WALL REMOVAL/INSTALLATION.)
  - (11) Console (See 09-17-45 CONSOLE REMOVAL/INSTALLATION.)
  - (12) Shift lever component (MTX) (See 05-16-2 MANUAL TRANSAXLE SHIFT MECHANISM REMOVAL/INSTALLATION.)
  - (13) Selector lever component (ATX) (See 05-18-2 AUTOMATIC TRANSAXLE SHIFT MECHANISM REMOVAL/INSTALLATION.)
  - (14) Hood release lever (See 09-14-15 HOOD LATCH AND RELEASE LEVER REMOVAL/INSTALLATION.)
  - (15) Lower panel (See 09-17-27 LOWER PANEL REMOVAL/INSTALLATION.)
  - (16) Knee bolster (See 09-17-36 KNEE BOLSTER REMOVAL/INSTALLATION.)
  - (17) Driver-side air bag module (See 08-10-7 DRIVER-SIDE AIR BAG MODULE REMOVAL/INSTALLATION.)

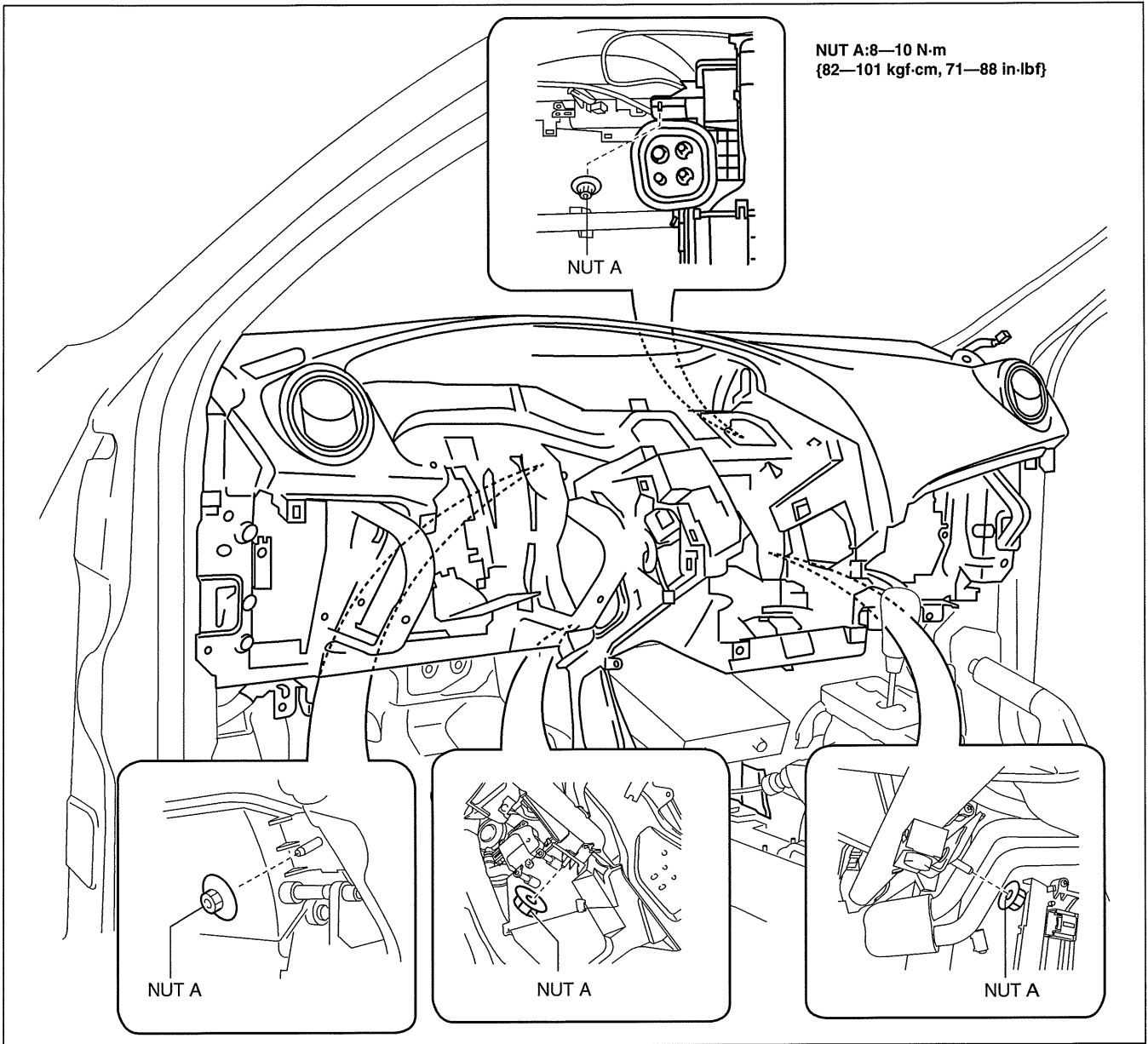
## INTERIOR TRIM

---

- (18)Steering wheel (See 06-14-8 STEERING WHEEL AND COLUMN REMOVAL/INSTALLATION [WITHOUT ADVANCED KEYLESS ENTRY AND PUSH BUTTON START SYSTEM].) (See 06-14-11 STEERING WHEEL AND COLUMN REMOVAL/INSTALLATION [WITH ADVANCED KEYLESS ENTRY AND PUSH BUTTON START SYSTEM].)
  - (19)Column cover (See 09-17-22 COLUMN COVER REMOVAL/INSTALLATION.)
  - (20)Combination switch (See 09-18-56 COMBINATION SWITCH REMOVAL/INSTALLATION.)
  - (21)Joint cover (See 06-14-8 STEERING WHEEL AND COLUMN REMOVAL/INSTALLATION [WITHOUT ADVANCED KEYLESS ENTRY AND PUSH BUTTON START SYSTEM].) (See 06-14-11 STEERING WHEEL AND COLUMN REMOVAL/INSTALLATION [WITH ADVANCED KEYLESS ENTRY AND PUSH BUTTON START SYSTEM].)
  - (22)Steering shaft (See 06-14-8 STEERING WHEEL AND COLUMN REMOVAL/INSTALLATION [WITHOUT ADVANCED KEYLESS ENTRY AND PUSH BUTTON START SYSTEM].) (See 06-14-11 STEERING WHEEL AND COLUMN REMOVAL/INSTALLATION [WITH ADVANCED KEYLESS ENTRY AND PUSH BUTTON START SYSTEM].)
  - (23)Center panel (See 09-17-24 CENTER PANEL REMOVAL/INSTALLATION.)
  - (24)Audio unit (See 09-20-4 AUDIO UNIT REMOVAL/INSTALLATION.)
  - (25)Climate control unit (See 07-40A-26 CLIMATE CONTROL UNIT REMOVAL/INSTALLATION [FULL-AUTO AIR CONDITIONER].) (See 07-40B-17 CLIMATE CONTROL UNIT REMOVAL/INSTALLATION [MANUAL AIR CONDITIONER].)
  - (26)Instrument cluster (See 09-22-3 INSTRUMENT CLUSTER REMOVAL/INSTALLATION.)
  - (27)Center cover (See 09-17-19 CENTER COVER REMOVAL/INSTALLATION.)
  - (28)Dashboard upper panel (See 09-17-14 DASHBOARD UPPER PANEL REMOVAL/INSTALLATION.)
  - (29)Hole cover (See 09-17-25 HOLE COVER REMOVAL/INSTALLATION.)
  - (30)Information display (See 09-22-13 INFORMATION DISPLAY REMOVAL/INSTALLATION.)
  - (31)A-pillar trim (See 09-17-50 A-PILLAR TRIM REMOVAL/INSTALLATION.)
  - (32)Windshield wiper arm and blade (See 09-19-3 WINDSHIELD WIPER ARM AND BLADE REMOVAL/INSTALLATION.)
  - (33)Front fender molding (See 09-16-4 COWL GRILLE REMOVAL/INSTALLATION.)
  - (34)Cowl grille (See 09-16-4 COWL GRILLE REMOVAL/INSTALLATION.)
  - (35)Windshield wiper motor (See 09-19-5 WINDSHIELD WIPER MOTOR REMOVAL/INSTALLATION.)
5. Disconnect The blower motor connector. (See 07-40A-9 BLOWER MOTOR REMOVAL [FULL-AUTO AIR CONDITIONER].) (See 07-40A-13 BLOWER MOTOR INSTALLATION [FULL-AUTO AIR CONDITIONER].) (See 07-40B-4 BLOWER MOTOR REMOVAL [MANUAL AIR CONDITIONER].) (See 07-40B-7 BLOWER MOTOR INSTALLATION [MANUAL AIR CONDITIONER].)
  6. Disconnect the dashboard harness connectors.
  7. Remove the shower duct. (See 07-11-4 A/C UNIT REMOVAL/INSTALLATION)

# INTERIOR TRIM

8. Remove the nuts A.

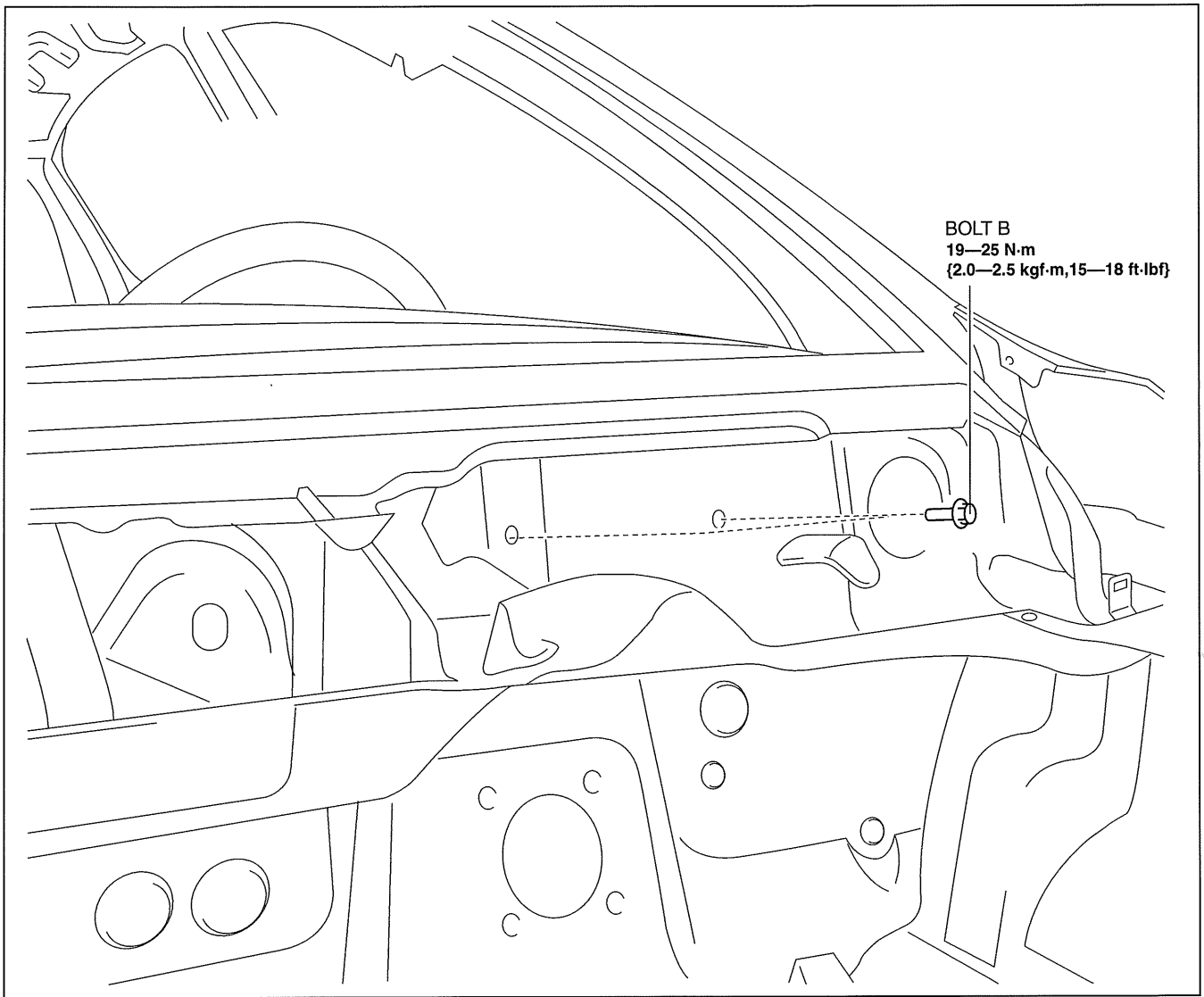


09-17

am3uuw0000546

9. Remove the bolts B.

# INTERIOR TRIM

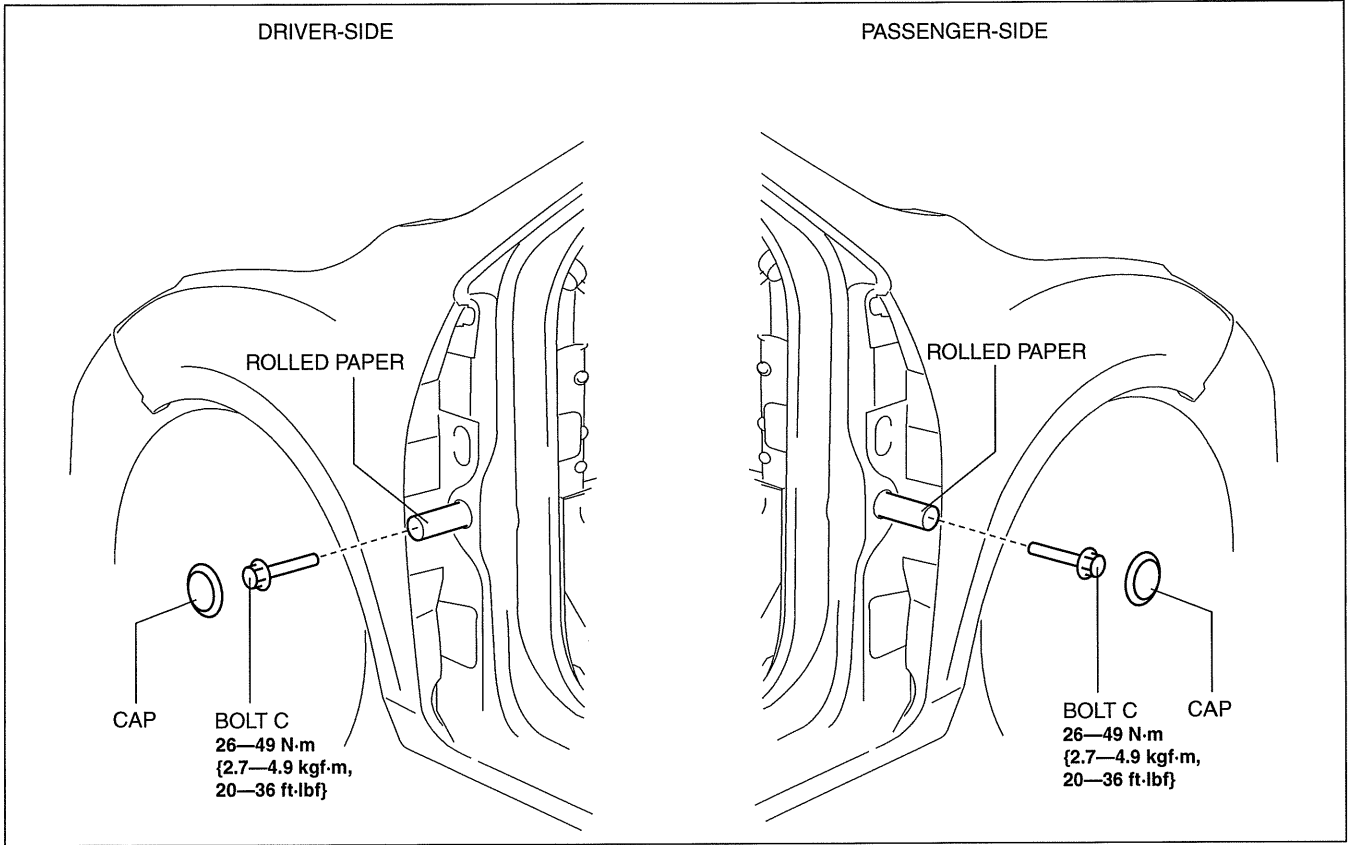


am3uuw0000546



# INTERIOR TRIM

10. Remove the caps then set the rolled paper.
11. Remove the bolts C.

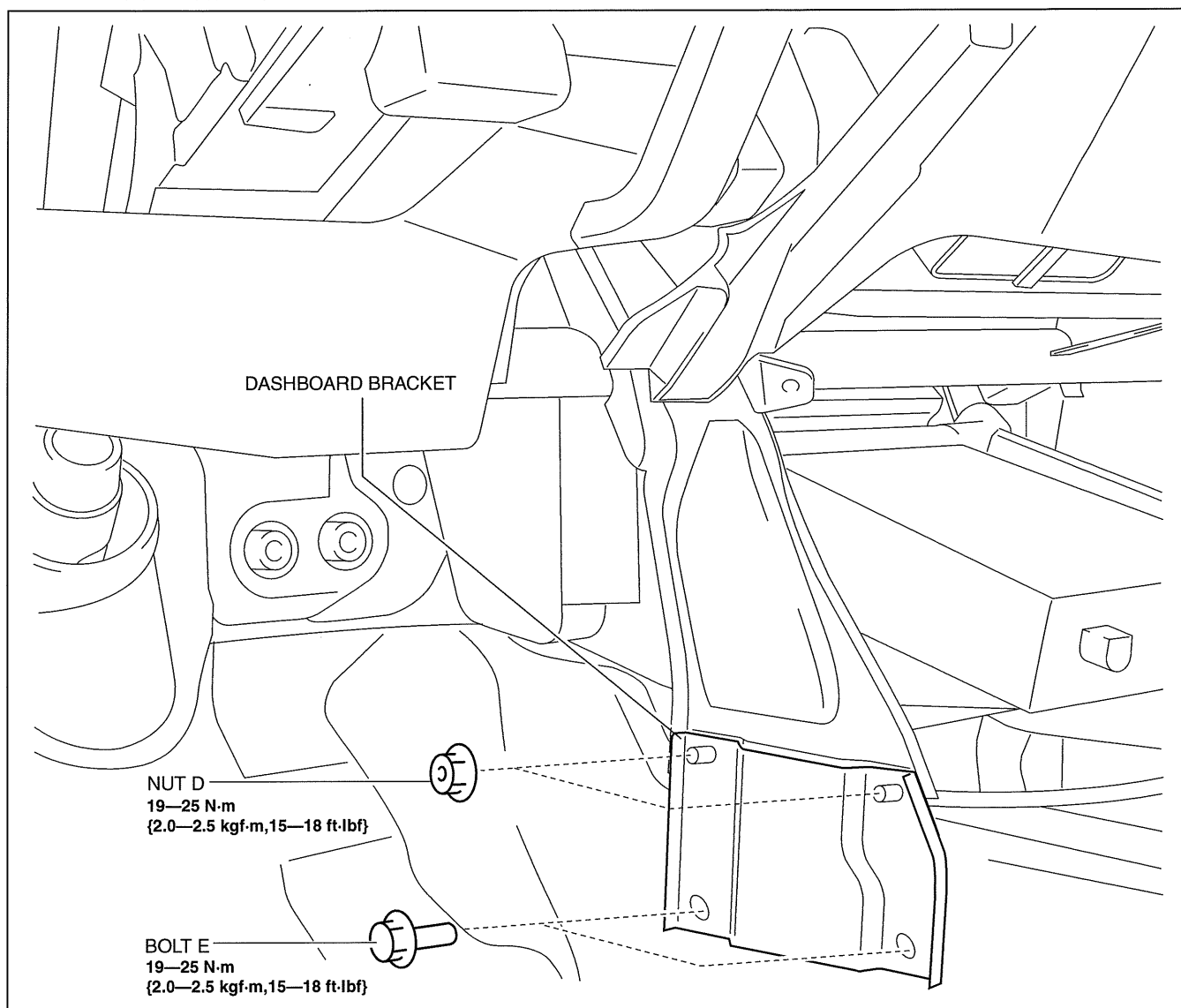


am3uuw0000516

09-17

**INTERIOR TRIM**

12. Remove the nuts D and bolts E then remove the dashboard bracket.



am3uuw0000546