



# Онлайн-аукционы

Аукционы которым можно доверять.

## СТОПРОЦЕНТНАЯ ГАРАНТИЯ И ЭКСПЕРТЫ, КОТОРЫМ МОЖНО ДОВЕРЯТЬ



Покупайте уверенно на аукционах с IronPlanet. Печать IronClad обеспечивает гарантию, вы можете быть уверены, что получаете оборудование согласно акта технического освидетельствования.



### Что такое IronClad гарантировано

Печать IronClad обеспечивает гарантию и означает, что один из наших инспекторов лично провел визуальное техническое освидетельствование всех ключевых компонентов, сделал необходимые фотографии, провел технические замеры для определения степени износа и, при необходимости, взял масла / жидкости для лабораторных анализов.

Акты технического освидетельствования на оборудование предоставляются для ознакомления бесплатно перед началом торгов. Мы гарантируем Вам, что Акты технического освидетельствования составлены честно и дают истинную картину о состоянии оборудования.

НЕ УПУСТИТЕ СВОЙ ШАНС ПОКУПКИ КАЧЕСТВЕННОГО ОБОРУДОВАНИЯ



**автобай**  
АВТОМОБИЛЬНАЯ КОМПАНИЯ

[marketing@autoby.by](mailto:marketing@autoby.by)

**ПОКУПКА НА АУКЦИОНЕ - ТАМОЖЕННОЕ СОПРОВОЖДЕНИЕ - ДОСТАВКА "ДО ДВЕРИ"**

| Page Title                                                                        | Page Number |
|-----------------------------------------------------------------------------------|-------------|
| Engine And Equipment - M.F 8210                                                   | 010-0005    |
| Engine And Equipment - M.F 8220 - 8220 XTRA                                       | 010-0010    |
| Engine And Equipment - With Pneumatic Brake                                       | 010-0015    |
| Alternator And Bracket - Up to Serial or Engine Number - K .....                  | 010-0020    |
| Alternator And Bracket - From Serial or Engine Number - K .....                   | 010-0025    |
| ALTERNATOR - MAGNETI MARELLI - Up to Serial or Engine Number - K 284016           | 010-0030    |
| Alternator - ISKRA - From Serial or Engine Number - K 284017                      | 010-0035    |
| Alternator - Valeo - Up to Serial or Engine Number - K 289024                     | 010-0040    |
| Alternator - ISKRA - From Serial or Engine Number - K 289025                      | 010-0045    |
| Starter - Magneti Marelli - Up to Serial or Engine Number - K302039               | 010-0050    |
| Starter - ISKRA - From Serial or Engine Number - K302040                          | 010-0055    |
| Fan Drive Section                                                                 | 010-0060    |
| Cylinder Block                                                                    | 010-0065    |
| Crankshaft, Pistons And Connecting Rods                                           | 010-0070    |
| Cylinder Head                                                                     | 010-0075    |
| Rocker Shaft                                                                      | 010-0080    |
| Lubricating Oil Filler And Breather                                               | 010-0085    |
| Timing Gear And Camshaft                                                          | 010-0090    |
| Fuel Injection Equipment (Diesel)                                                 | 010-0095    |
| Fuel Injection Equipment (Diesel) - M.F 8210                                      | 010-0100    |
| Fuel Injection Equipment (Diesel) - M.F 8220 - 8220 XTRA                          | 010-0105    |
| Lubricating Oil Sump                                                              | 010-0110    |
| Lubricating Oil Filter And Integral Cooler                                        | 010-0115    |
| Closed circuit breather                                                           | 010-0120    |
| Water Pump, Thermostat And Heat Exchanger - M.F 8210                              | 010-0125    |
| Water Pump, Thermostat And Heat Exchanger - M.F 8220 - 8220 XTRA                  | 010-0130    |
| Air Compressor - M.F 8220 - 8220 XTRA                                             | 010-0135    |
| Air Compressor - M.F 8220 - 8220 XTRA                                             | 010-0140    |
| Low Pressure Fuel System - M.F 8210                                               | 010-0145    |
| Low Pressure Fuel System - M.F 8220 - 8220 XTRA                                   | 010-0150    |
| Low Pressure Fuel System - M.F 8220 - 8220 XTRA - With Pneumatic Brake            | 010-0155    |
| Low Pressure Fuel System                                                          | 010-0160    |
| Low Pressure Fuel System                                                          | 010-0165    |
| Turbocharger                                                                      | 010-0170    |
| Turbocharger - Pipes And Heat Shields                                             | 010-0175    |
| Air Induction And Exhaust System - M.F 8210                                       | 010-0180    |
| Air Induction And Exhaust System - M.F 8220 - 8220 XTRA                           | 010-0185    |
| Engine Gaskets Sets                                                               | 010-0190    |
| Heater Engine Block - Up to Serial or Engine Number - L155012                     | 010-0195    |
| Heater Engine Block - From Serial or Engine Number - L155013                      | 010-0200    |
| Battery & Cables - Without Battery Cut-Off W/O Positive Connection                | 010-0205    |
| Battery & Cables - Without Battery Cut-Off With Positive Connection               | 010-0210    |
| Battery & Cables - With Battery Cut-Off                                           | 010-0215    |
| Cooling System - Air Conditioned Installation - Up To 07-09-2000                  | 010-0220    |
| Cooling System - Air Conditioned Installation - From 08-09-2000                   | 010-0225    |
| Sanden Compressor                                                                 | 010-0230    |
| Cooling System - Engine                                                           | 010-0235    |
| Cab Heating System - Engine Part                                                  | 010-0240    |
| Fuel System - Fuel Tank And Attachments - Without Additional Tank                 | 010-0245    |
| Fuel System - Fuel Tank And Attachments - With Additional Tank                    | 010-0250    |
| Fuel System - Fuel Tank And Attachments - Tractor With Cab - With Additional Tank | 010-0255    |
| Fuel System - Fuel Tank And Attachments - Platform                                | 010-0260    |
| Fuel System - Fuel Tank And Attachments - Platform -With Additional Tank          | 010-0265    |

**Engine And Equipment**

|                                                                        |          |
|------------------------------------------------------------------------|----------|
| Fuel System - Fuel Filters And Pipes                                   | 010-0270 |
| Fuel System - Fuel Filters And Pipes - With Flow Fuel                  | 010-0275 |
| Fuel System - Fuel Filters And Pipes - WITH FUEL COOLER                | 010-0280 |
| Fuel System - Fuel Filters And Pipes - WITH FLOW METER AND FUEL COOLER | 010-0285 |
| Sedimenter                                                             | 010-0290 |
| Fuel System - Fuel Tank And Attachments                                | 010-0295 |
| Air Filter - Dry - Dual Element - Up To ...                            | 010-0300 |
| Air Filter - Dry - Dual Element - From .....                           | 010-0305 |
| Air Filter - Dry - Dual Element - With Platform - Up To ...            | 010-0310 |
| Air Filter - Dry - Dual Element - With Platform - From .....           | 010-0315 |
| Air Filter - Dry - Dual Element                                        | 010-0320 |
| Vertical Exhaust On The Side - With Dusty Aspiration - Up To J250011   | 010-0325 |
| Vertical Exhaust On The Side - With Dusty Aspiration - From J250012    | 010-0330 |
| Vertical Exhaust On The Side - M.F 8210 - Platform                     | 010-0335 |
| Vertical Exhaust On The Side - M.F 8220 - 8220 XTRA - Platform         | 010-0340 |
| Throttle Controls                                                      | 010-0345 |
| Throttle Controls - With AUTODRIVE                                     | 010-0350 |
| Throttle Controls - Platform                                           | 010-0355 |
| Throttle Controls                                                      | 010-0360 |
| Throttle Controls - Up To 07-01-2001                                   | 010-0365 |
| Throttle Controls - From 08-01-2001                                    | 010-0370 |
| Hand Throttle Control - Platform                                       | 010-0375 |

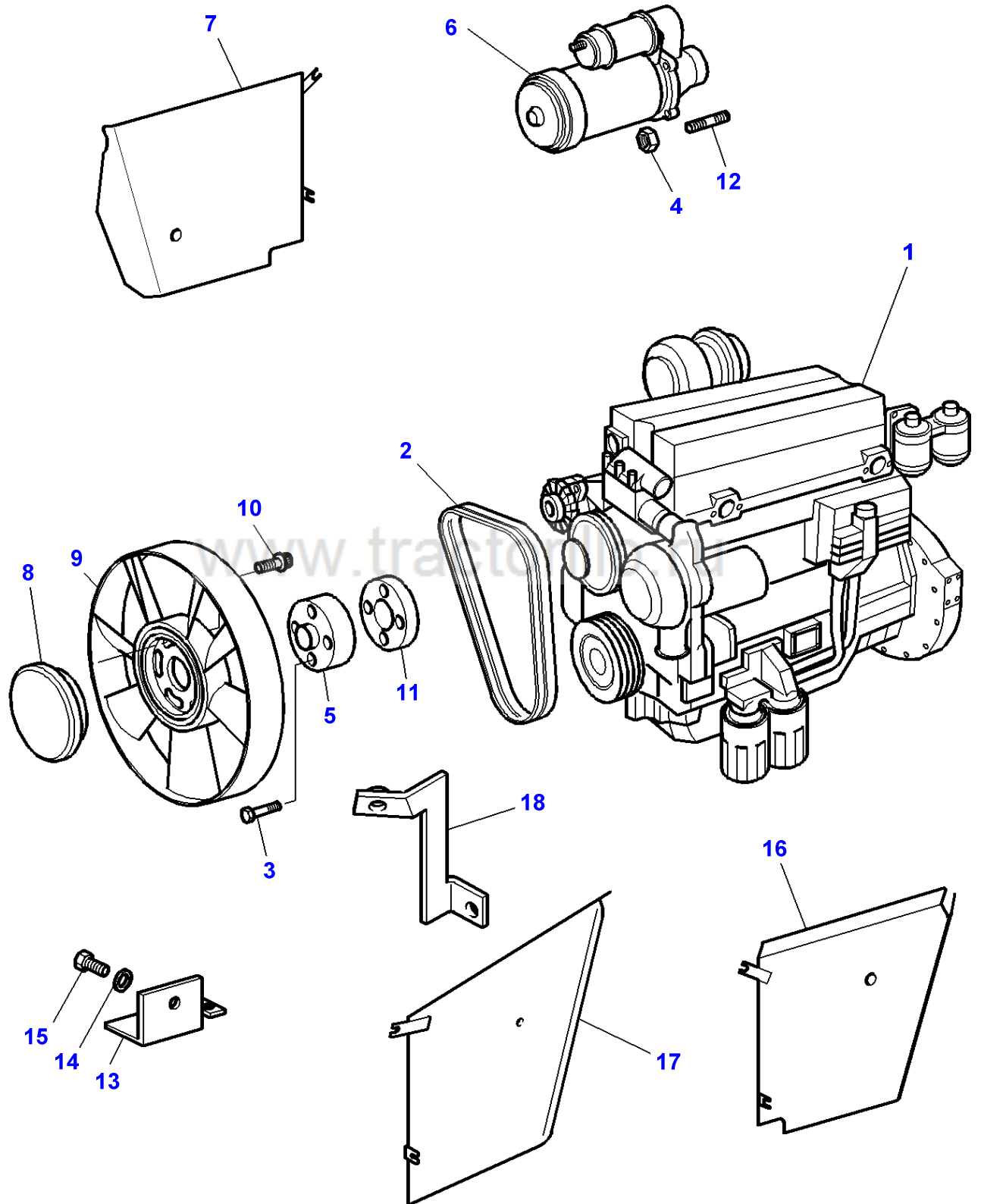


| Item | Part Number       | Qty | Description  | Comments                                                                               |
|------|-------------------|-----|--------------|----------------------------------------------------------------------------------------|
| 1    | 3779022M2         | 1   | Engine       | PEL. YH31441                                                                           |
|      | 4224683M91        | 1   | Short Engine | Up to Serial or Engine Number U786028J                                                 |
|      | 4225081M91        | 1   | Short Engine | From Serial or Engine Number U786029J                                                  |
| 2    | <b>3617180M91</b> | 1   | Kit, Belt    | Length 1470 MM                                                                         |
| 3    | 3009287X1         | 4   | Screw Metric | M8 X 40                                                                                |
| 4    | 339402X1          | 3   | Nut          | M10                                                                                    |
| 5    | 3780201M2         | 1   | Spacer       | Thickness 27MM                                                                         |
| 6    | 3581576M3         | 1   | Startermotor | [A]<br>Up to Serial or Engine Number K302039<br>See Page - Reference Number 010-0050/1 |
|      | 3823621M91        | 1   | Startermotor | [A]<br>From Serial or Engine Number K302040<br>See Page - Reference Number 010-0055/1  |
| 7    | 3781005M91        | 1   | Clutch       | Up to Serial or Engine Number H286008                                                  |
| 8    | 3780206M1         | 1   | Clutch       | (7)<br>Up to Serial or Engine Number H286008                                           |
|      | 3783350M1         | 1   | Clutch       | From Serial or Engine Number H286009                                                   |
| 9    | 3781006M1         | 1   | Fan          | (7)                                                                                    |
| 10   | 3009920X1         | 4   | Plough Bolt  | (7)<br>M8 X 16                                                                         |
| 11   | 3782028M1         | 1   | Strap        |                                                                                        |
| 12   | 391005X1          | 3   | Stud         | M10 X 25                                                                               |
| 13   | 3779643M3         | 1   | Strap        |                                                                                        |
| 14   | 385361X1          | 1   | Washer       | Diameter 9-17 X 3,2 MM                                                                 |
| 15   | 390246X1          | 1   | Bolt         | M8 X 70                                                                                |
| 16   | 3782008M5         | 1   | Cowl         | Left Hand<br>Up to Serial or Engine Number 27-08-2000                                  |
| 17   | 3785236M1         | 1   | Cowl         | From Serial or Engine Number 28-08-2000<br>Left Hand                                   |
| 18   | 3785287M1         | 1   | Support      | From Serial or Engine Number 28-08-2000                                                |
| 19   | 3782009M4         | 1   | Cowl         | Right Hand<br>Up to Serial or Engine Number 27-08-2000                                 |
|      | 3785237M1         | 1   | Cowl         | From Serial or Engine Number 28-08-2000<br>Right Hand                                  |

FOOTNOTE [A] THE APPROPRIATE SAFETY DECALS MUST BE ORDERED AND FITTED TO THIS PART



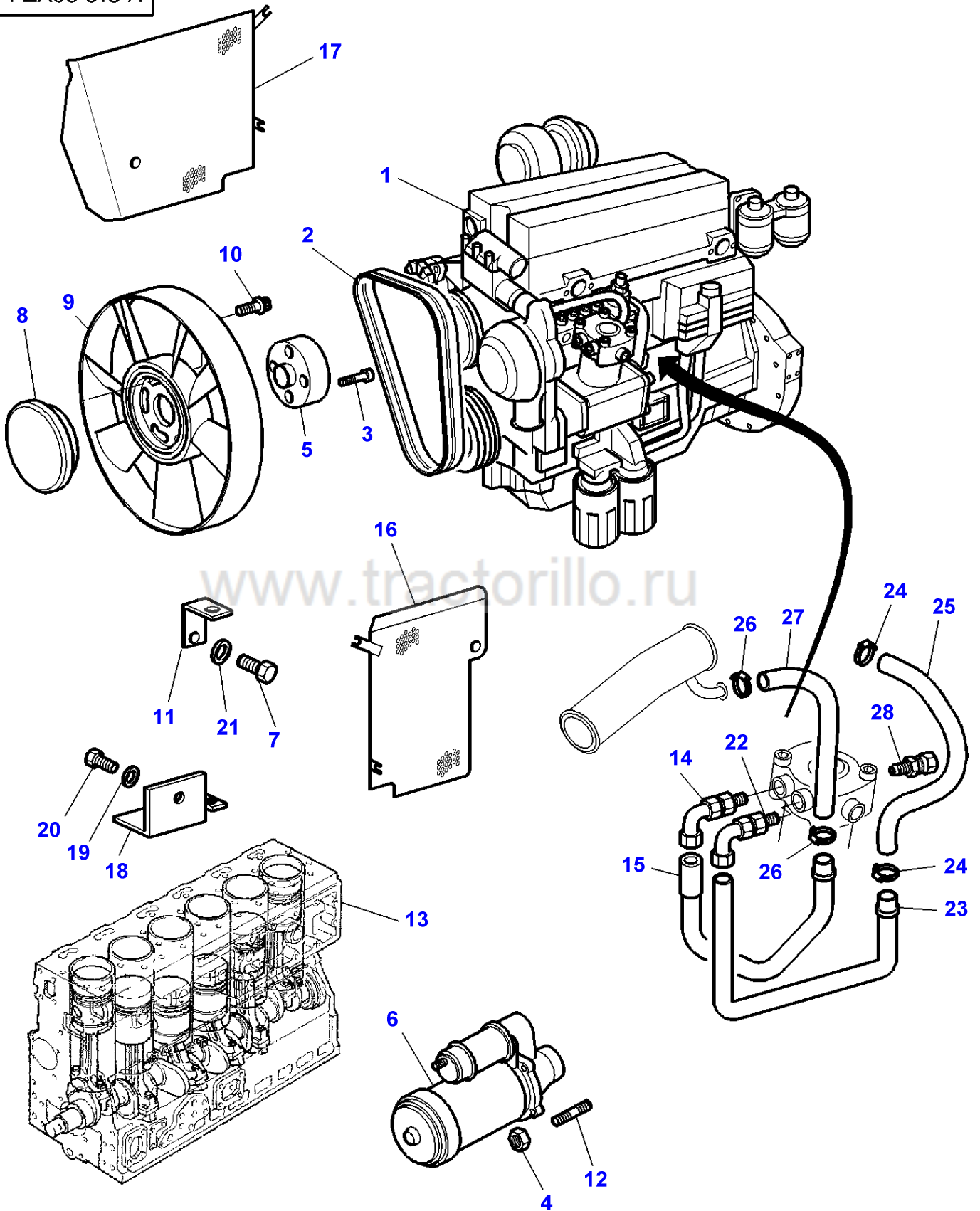
1-ZA06-013-C



| Item | Part Number       | Qty | Description  | Comments                                                                               |
|------|-------------------|-----|--------------|----------------------------------------------------------------------------------------|
| 1    | 3779023M2         | 2   | Engine       | PEL. YK31431                                                                           |
|      | 4222878M91        | 1   | Short Engine |                                                                                        |
| 2    | <b>3617180M91</b> | 1   | Kit, Belt    | Length 1470MM                                                                          |
| 3    | 3009287X1         | 4   | Screw Metric | M8X40<br>Up to Serial or Engine Number H327030                                         |
|      | 3009288X1         | 4   | Screw Metric | M8X50<br>From Serial or Engine Number H327031                                          |
| 4    | 3009693X1         | 3   | Nut Metric   | M10                                                                                    |
| 5    | 3780201M2         | 1   | Spacer       | Thickness 27MM<br>Up to Serial or Engine Number J077023                                |
|      | 3784034M1         | 1   | Spacer       | Thickness 37MM<br>From Serial or Engine Number J077024                                 |
| 6    | 3581576M3         | 1   | Startermotor | [A]<br>Up to Serial or Engine Number K302039<br>See Page - Reference Number 010-0050/1 |
|      | 3823621M91        | 1   | Startermotor | [A]<br>From Serial or Engine Number K302040<br>See Page - Reference Number 010-0055/1  |
| 7    | 3782009M4         | 1   | Cowl         | Right Hand<br>Up to Serial or Engine Number 27-08-2000                                 |
|      | 3785237M1         | 1   | Cowl         | From Serial or Engine Number 28-08-2000<br>Right Hand                                  |
| 8    | 3783350M1         | 1   | Clutch       | Up to Serial or Engine Number H327030                                                  |
|      | 3783352M1         | 1   | Clutch       | From Serial or Engine Number H327031                                                   |
| 9    | 3781006M1         | 1   | Fan          | Up to Serial or Engine Number H327030<br>Diameter 550MM                                |
|      | 3780204M1         | 1   | Fan          | From Serial or Engine Number H327031<br>Diameter 600MM                                 |
| 10   | 3009920X1         | 4   | Plough Bolt  | M8X16<br>Up to Serial or Engine Number H327030                                         |
|      | 3009920X1         | 6   | Plough Bolt  | M8X16<br>From Serial or Engine Number H327031                                          |
| 11   | 3779170M1         | 1   | Spacer       | From Serial or Engine Number H327031<br>Up to Serial or Engine Number J077023          |
| 12   | 391005X1          | 3   | Stud         | M10X25                                                                                 |
| 13   | 3779643M3         | 1   | Strap        |                                                                                        |
| 14   | 385361X1          | 1   | Washer       |                                                                                        |
| 15   | 390246X1          | 1   | Bolt         | M8X70                                                                                  |
| 16   | 3782008M5         | 1   | Cowl         | Left Hand<br>Up to Serial or Engine Number 27-08-2000                                  |
| 17   | 3785236M1         | 1   | Cowl         | From Serial or Engine Number 28-08-2000<br>Left Hand                                   |
| 18   | 3785287M1         | 1   | Support      | From Serial or Engine Number 28-08-2000                                                |

**FOOTNOTE [A]** THE APPROPRIATE SAFETY DECALS MUST BE ORDERED AND FITTED TO THIS PART

1-ZA06-018-A

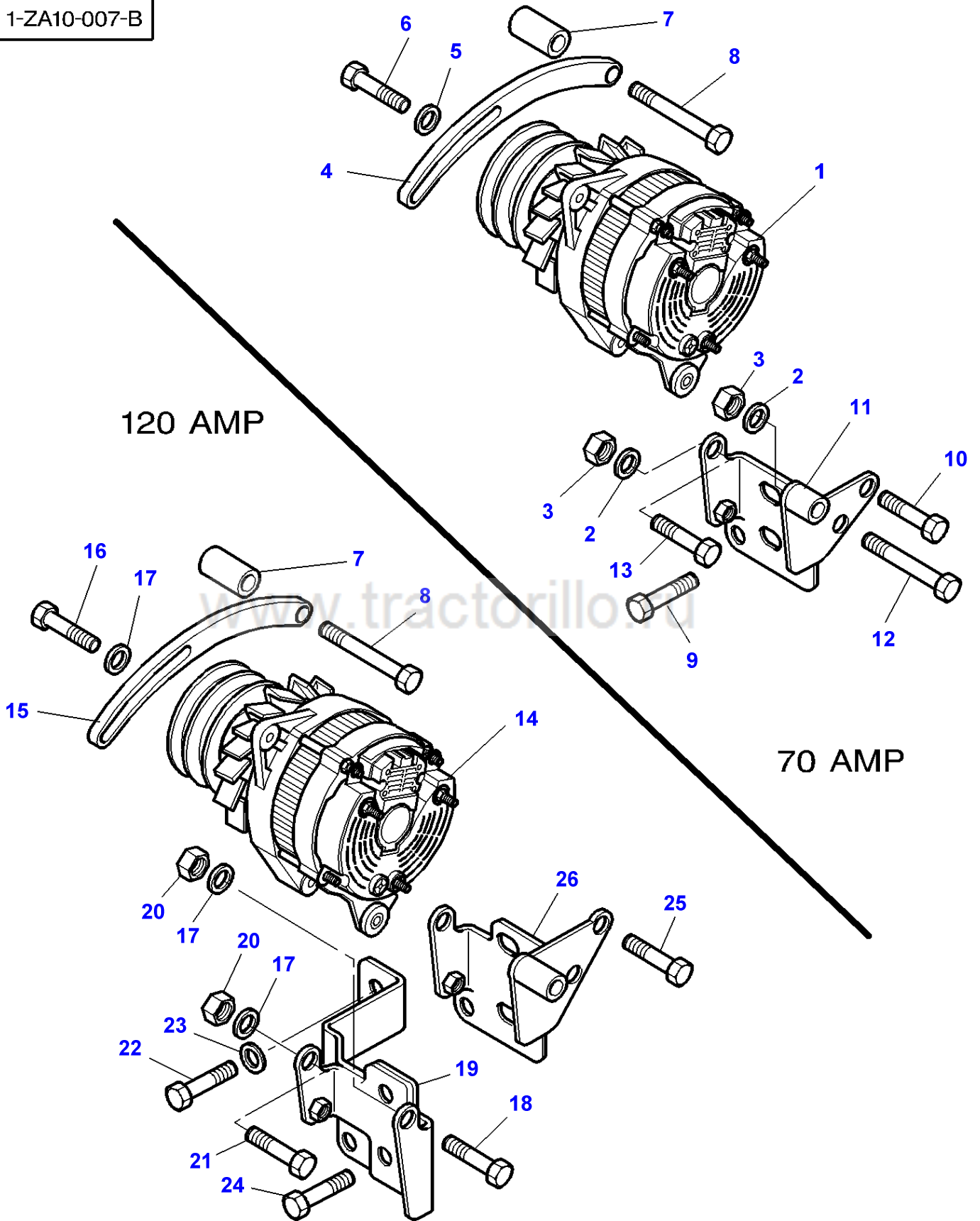




| Item | Part Number       | Qty | Description      | Comments                                                                               |
|------|-------------------|-----|------------------|----------------------------------------------------------------------------------------|
| 1    | 3779631M2         | 1   | Engine           | PEL. XXXXX<br>MF 8210                                                                  |
|      | 3779632M2         | 1   | Engine           | PEL. YK31476<br>MF 8220<br>MF 8220 XTRA                                                |
| 2    | <b>3617180M91</b> | 1   | Kit, Belt        | Length 1470MM                                                                          |
| 3    | 3009287X1         | 4   | Screw Metric     | M8X40<br>MF 8210                                                                       |
|      | 3009288X1         | 4   | Screw Metric     | M8X50<br>MF 8220<br>MF 8220 XTRA                                                       |
| 4    | 3009693X1         | 3   | Nut Metric       | M10                                                                                    |
| 5    | 3780201M2         | 1   | Spacer           | Thickness 27MM<br>MF 8210                                                              |
|      | 3784034M1         | 1   | Spacer           | Thickness 37MM<br>MF 8220<br>MF 8220 XTRA                                              |
| 6    | 3581576M3         | 1   | Startermotor     | [A]<br>Up to Serial or Engine Number K302039<br>See Page - Reference Number 010-0050/1 |
|      | 3823621M91        | 1   | Startermotor     | [A]<br>From Serial or Engine Number K302040<br>See Page - Reference Number 010-0055/1  |
| 7    | 339761X1          | 2   | Hex. Sock. Screw | M8X25                                                                                  |
| 8    | 3783350M1         | 1   | Clutch           | MF 8210                                                                                |
|      | 3783352M1         | 1   | Clutch           | MF 8220<br>MF 8220 XTRA                                                                |
| 9    | 3781006M1         | 1   | Fan              | MF 8210                                                                                |
|      | 3780204M1         | 1   | Fan              | MF 8220<br>MF 8220 XTRA                                                                |
| 10   | 3009920X1         | 4   | Plough Bolt      | M8X16                                                                                  |
| 11   | 3782028M1         | 1   | Strap            |                                                                                        |
| 12   | 391005X1          | 3   | Stud             | M10X25                                                                                 |
| 13   | 4222878M91        | 1   | Short Engine     |                                                                                        |
| 14   | 3784396M1         | 1   | Elbow Nipple     | M26                                                                                    |
| 15   | 3784448M1         | 1   | Tube             |                                                                                        |
| 16   | 3780390M1         | 1   | Cowl             | Left Hand<br>Up to Serial or Engine Number 27-08-2000                                  |
|      | 3785285M1         | 1   | Cowl             | From Serial or Engine Number 28-08-2000<br>Left Hand                                   |
| 17   | 3782009M4         | 1   | Cowl             | Right Hand<br>Up to Serial or Engine Number 27-08-2000                                 |
|      | 3785237M1         | 1   | Cowl             | From Serial or Engine Number 28-08-2000<br>Right Hand                                  |
| 18   | 3779643M3         | 1   | Strap            |                                                                                        |
| 19   | 385361X1          | 1   | Washer           |                                                                                        |
| 20   | 390246X1          | 1   | Bolt             |                                                                                        |
| 21   | 390972X1          | 2   | Washer Metric    |                                                                                        |
| 22   | 3784395M1         | 1   | Elbow Nipple     | M16                                                                                    |
| 23   | 3784447M1         | 1   | Tube             |                                                                                        |
| 24   | 3000483X1         | 2   | Clamp            |                                                                                        |
| 25   | 3784573M1         | 1   | Hose             | Length 220MM                                                                           |
| 26   | 338615X1          | 2   | Clamp            |                                                                                        |
| 27   | 3787857M1         | 1   | Hose             | Length 1050MM                                                                          |
| 28   | 3784398M1         | 1   | Union            | M26                                                                                    |

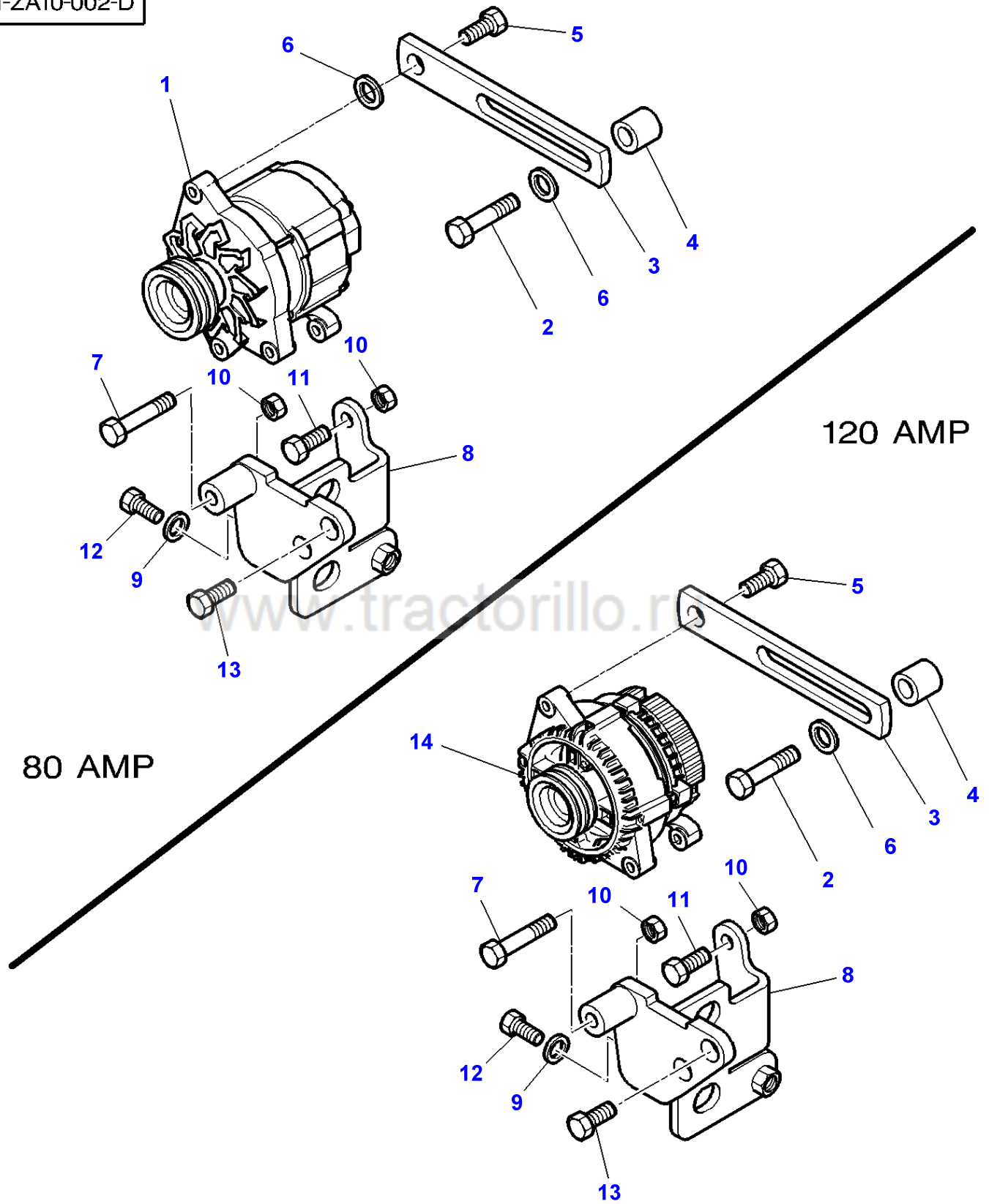
**FOOTNOTE [A]** THE APPROPRIATE SAFETY DECALS MUST BE ORDERED AND FITTED TO THIS PART

1-ZA10-007-B



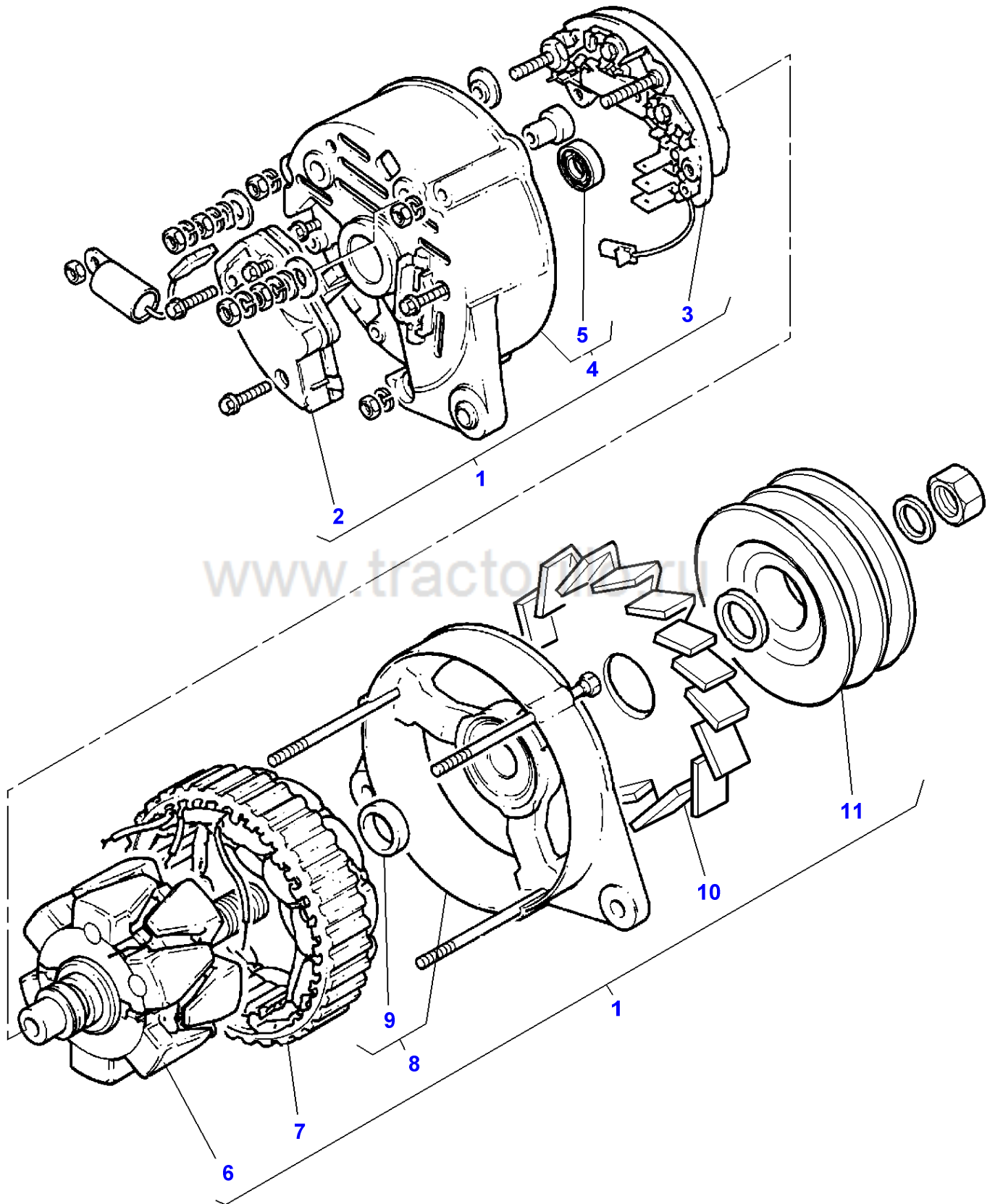
| Item | Part Number | Qty | Description         | Comments                                                                                   |
|------|-------------|-----|---------------------|--------------------------------------------------------------------------------------------|
| 1    | 3714944M1   | 1   | Alternator          | 70 AMP.<br>Up to Serial or Engine Number K284016<br>ZC401001 1                             |
| 2    | 390734X1    | 3   | Washer              | Diameter 10-21 X 2 MM                                                                      |
| 3    | 339169X1    | 2   | Nut                 | M8                                                                                         |
| 4    | 3782559M1   | 1   | Tensioner           |                                                                                            |
| 5    | 385361X1    | 1   | Washer              | Diameter 9-17 X 3,2 MM                                                                     |
| 6    | 339761X1    | 1   | Hex. Sock.<br>Screw | M8 X 25                                                                                    |
| 7    | 3779375M1   | 1   | Spacer              | Length 70 MM                                                                               |
|      | 3580956M1   | 1   | Bellows             | Diameter 11-20 X 6                                                                         |
| 8    | 339269X1    | 1   | Hex. Sock.<br>Screw | M10 X 100                                                                                  |
| 9    | 3009492X1   | 2   | Hex. Sock.<br>Screw | M10 X 25                                                                                   |
| 10   | 3009505X1   | 2   | Screw Metric        | M12 X 25                                                                                   |
| 11   | 3783700M1   | 1   | Support             |                                                                                            |
| 12   | 339291X1    | 1   | Hex. Sock.<br>Screw | M8 X 55                                                                                    |
| 13   | 339010X1    | 1   | Bolt Metric         | M8 X 40                                                                                    |
| 14   | 3780634M1   | 1   | Alternator          | 120 AMP<br>Up to Serial or Engine Number K289024<br>See Page - Reference Number 010-0040/1 |
| 15   | 3782607M1   | 1   | Tensioner           |                                                                                            |
| 16   | 3009495X1   | 1   | Bolt Metric         | M10 X 40                                                                                   |
| 17   | 390734X1    | 3   | Washer              | Diameter 10-21 X 2 MM                                                                      |
| 18   | 3009494X1   | 1   | Screw Metric        | Up to Serial or Engine Number J014023<br>M10 X 35                                          |
|      | 3009501X1   | 1   | Bolt                | From Serial or Engine Number J014024<br>M10 X 70                                           |
| 19   | 3780560M2   | 1   | Support             | Up to Serial or Engine Number J014023                                                      |
| 20   | 339402X1    | 2   | Nut                 | M10                                                                                        |
| 21   | 3009494X1   | 1   | Screw Metric        | M10 X 35                                                                                   |
| 22   | 3009492X1   | 1   | Hex. Sock.<br>Screw | Up to Serial or Engine Number J014023<br>M10 X 25                                          |
| 23   | 390734X1    | 1   | Washer              | Up to Serial or Engine Number J014023<br>Diameter 10-21 X 2 MM                             |
| 24   | 3009492X1   | 2   | Hex. Sock.<br>Screw | M10 X 25                                                                                   |
| 25   | 1440716X1   | 2   | Hex. Sock.<br>Screw | From Serial or Engine Number J014023<br>M12 X 30                                           |
| 26   | 3783702M1   | 1   | Support             | From Serial or Engine Number J014024                                                       |

1-ZA10-002-D



| Item | Part Number | Qty | Description         | Comments                                                                                   |
|------|-------------|-----|---------------------|--------------------------------------------------------------------------------------------|
| 1    | 3821974M91  | 1   | Alternator          | 80 AMP.<br>From Serial or Engine Number K284017<br>See Page - Reference Number 010-0035/1  |
| 2    | 390246X1    | 1   | Bolt                | M8 X 70                                                                                    |
|      | 339891X1    | 1   | Screw               | M8 X 80                                                                                    |
| 3    | 3785834M2   | 1   | Tensioner           |                                                                                            |
| 4    | 3786163M1   | 1   | Spacer              | Diameter 9-20 X 45 MM                                                                      |
| 5    | 339761X1    | 1   | Hex. Sock.<br>Screw | M8 X 25                                                                                    |
|      | 339337X1    | 1   | Hex. Sock.<br>Screw | M8 X 30                                                                                    |
| 6    | 385361X1    | 1   | Washer              | Diameter 9-17 X 3,2 MM                                                                     |
| 7    | 339291X1    | 1   | Hex. Sock.<br>Screw | M8 X 55                                                                                    |
| 8    | 3785820M2   | 1   | Support             |                                                                                            |
| 9    | 390734X1    | 2   | Washer              | Diameter 10-21 X 2 MM                                                                      |
| 10   | 339169X1    | 2   | Nut                 | M8                                                                                         |
| 11   | 339009X1    | 1   | Hex. Sock.<br>Screw | M8 X 35                                                                                    |
| 12   | 3009492X1   | 2   | Hex. Sock.<br>Screw | M10 X 25                                                                                   |
| 13   | 3009505X1   | 1   | Screw Metric        | M12 X 25                                                                                   |
| 14   | 3788017M91  | 1   | Alternator          | 120 AMP.<br>From Serial or Engine Number K289025<br>See Page - Reference Number 010-0045/1 |

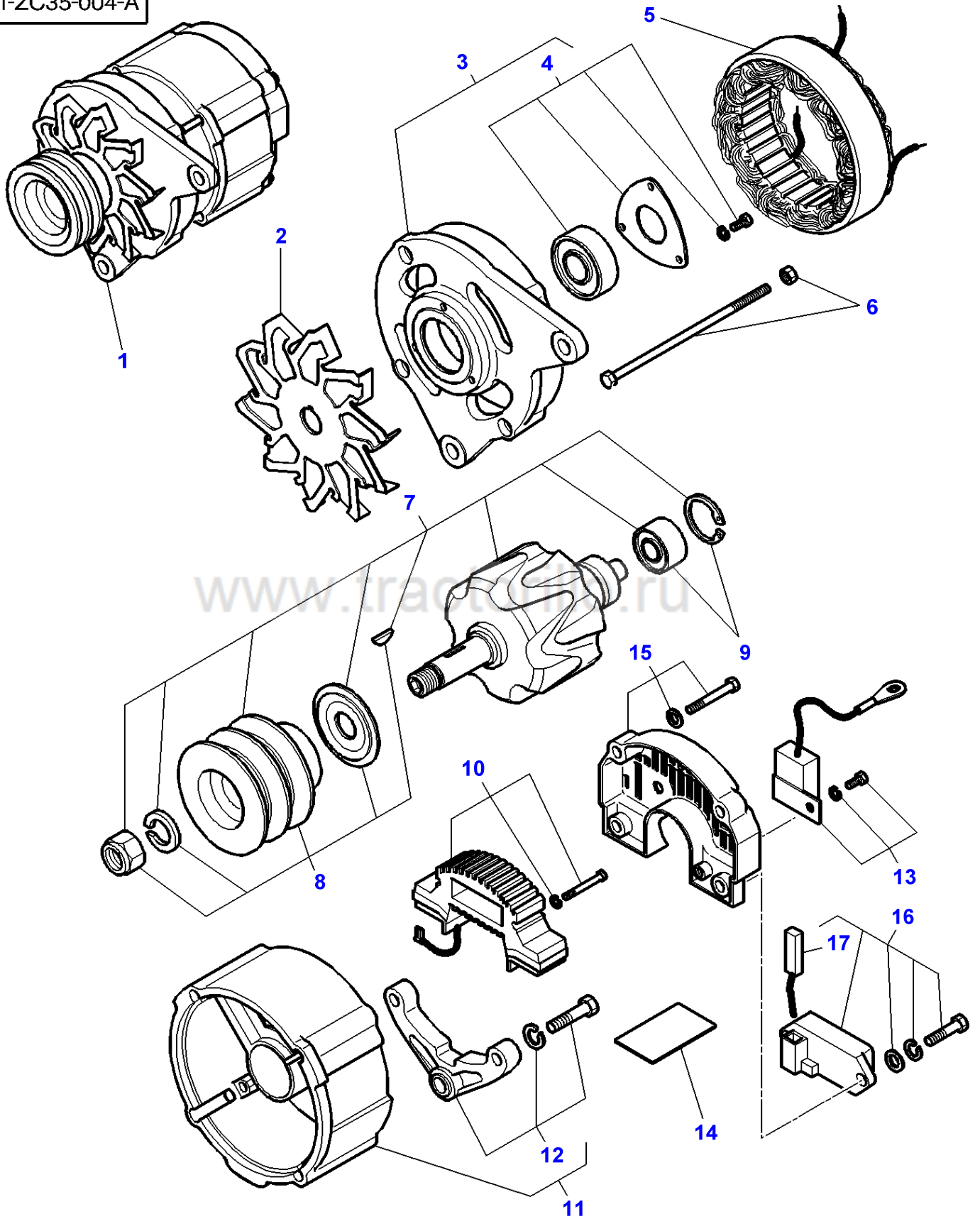
1-ZC40-001-A





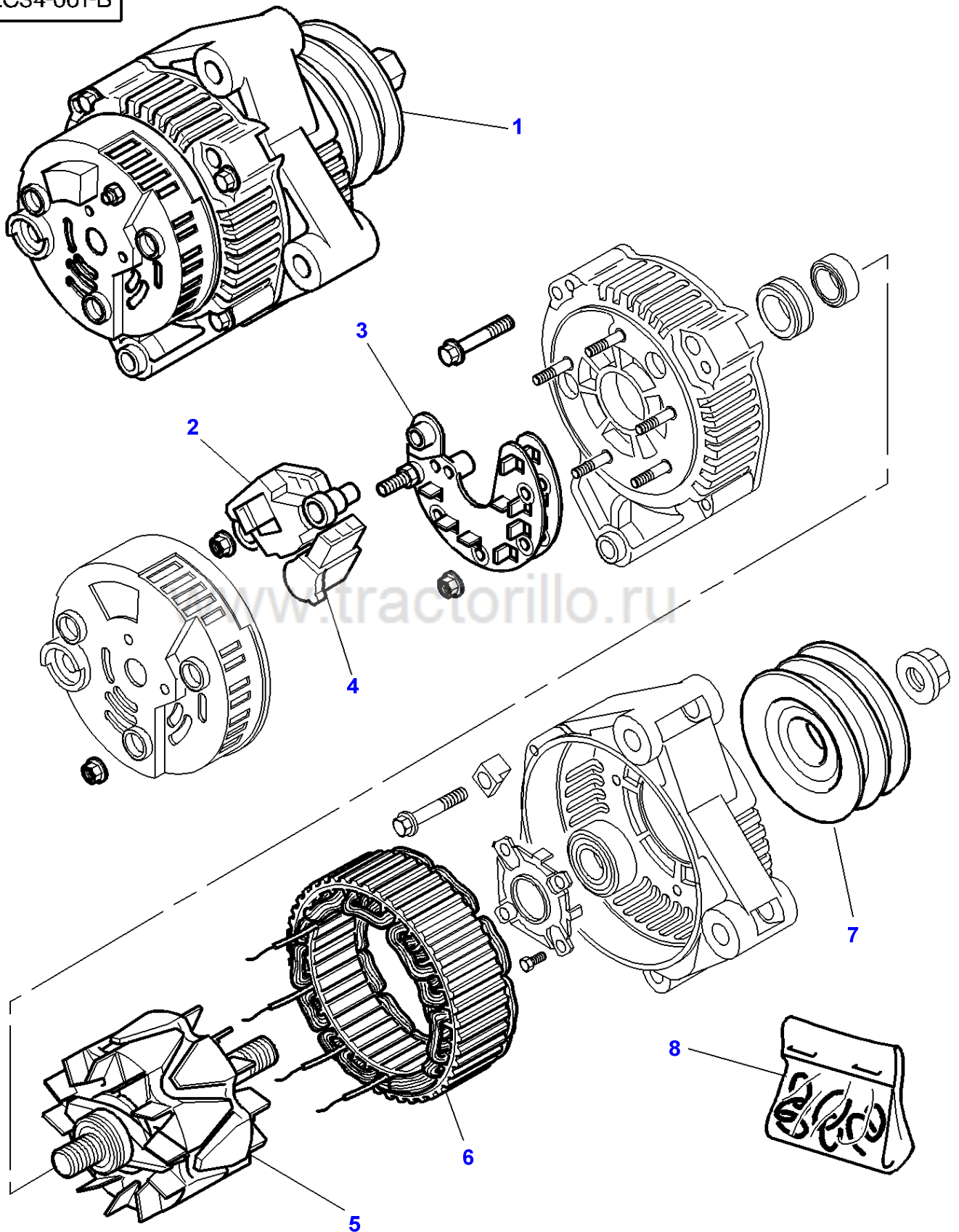
| <b>Item</b> | <b>Part Number</b> | <b>Qty</b> | <b>Description</b> | <b>Comments</b>           |
|-------------|--------------------|------------|--------------------|---------------------------|
| 1           | 3714944M1          | 1          | Alternator         | 70 AMP                    |
| 2           | 3900691M91         | 1          | Regulator          | (1)                       |
| 3           | 3477529M91         | 1          | Rectifier          | (1)                       |
| 4           | 3902778M1          | 1          | Bracket            | (1)                       |
| 5           | 3477859M1          | 1          | Bearing Assy       | (4)                       |
| 6           | 3476715M91         | 1          | Rotor              | (1)                       |
| 7           | 3478386M1          | 1          | Stator             | (1)                       |
| 8           |                    | 1          | Support            | (1)                       |
|             |                    |            |                    | Not serviced,order REF .1 |
| 9           |                    | 1          | Bearing Assy       | (8)                       |
|             |                    |            |                    | Not serviced,order REF .1 |
| 10          | 1897696M1          | 1          | Fan                | (1)                       |
| 11          | 3902432M1          | 1          | Pulley             | (1)                       |

1-ZC35-004-A



| Item | Part Number | Qty | Description      | Comments                          |
|------|-------------|-----|------------------|-----------------------------------|
| 1    | 3821974M91  | 1   | Alternator       | AAK3355 14V 80A                   |
| 2    | 3904367M1   | 1   | Fan              | (1)                               |
| 3    |             | 1   | Kit, Drive       | (1)<br>Not serviced,order REF. 1  |
| 4    | 3904368M91  | 1   | Kit, Bearing     | (3)                               |
| 5    |             | 1   | Stator           | (1)<br>Not serviced,order REF. 1  |
| 6    | 3904369M91  | 1   | Kit, Bolt        | (1)                               |
| 7    |             | 1   | Rotor            | (1)<br>Not serviced,order REF. 1  |
| 8    | 3903846M91  | 1   | Pulley           | (1)                               |
| 9    | 3904371M91  | 1   | Kit, Bearing     | (1)                               |
| 10   | 3904377M91  | 1   | Rectifier        | (1)                               |
| 11   |             | 1   | Rear Cover Assy. | (1)<br>Not serviced,order REF. 1  |
| 12   |             | 1   | Parts Pack       | (11)<br>Not serviced,order REF. 1 |
| 13   | 3904373M91  | 1   | Capacitor        | (1)                               |
| 14   | 3904374M1   | 1   | Gasket           | (1)                               |
| 15   | 3904378M91  | 1   | Cover            | (1)                               |
| 16   | 3904376M91  | 1   | Regulator        | (1)                               |
| 17   |             | 1   | Kit, Brush       | (16)<br>Not serviced,order REF. 1 |

1-ZC34-001-B



| <b>Item</b> | <b>Part Number</b> | <b>Qty</b> | <b>Description</b> | <b>Comments</b> |
|-------------|--------------------|------------|--------------------|-----------------|
| 1           | 3780634M1          | 1          | Alternator         | 120 AMP         |
| 2           | 3903324M91         | 1          | Support            | (1)             |
| 3           | 3903321M91         | 1          | Bridge             | (1)             |
| 4           | 3903318M91         | 1          | Regulator          | (1)             |
| 5           | 3903319M91         | 1          | Rotor              | (1)             |
| 6           | 3903320M91         | 1          | Stator             | (1)             |
| 7           | 3903322M1          | 1          | Pulley             | (1)             |
| 8           | 3903323M91         | 1          | Parts Pack         |                 |

1-ZC35-005-B

