



Онлайн-аукционы

Аукционы которым можно доверять.

СТОПРОЦЕНТНАЯ ГАРАНТИЯ И ЭКСПЕРТЫ, КОТОРЫМ МОЖНО ДОВЕРЯТЬ



Покупайте уверенно на аукционах с IronPlanet. Печать **IronClad** обеспечивает гарантию, вы можете быть уверены, что получаете оборудование согласно акта технического освидетельствования.



Что такое IronClad гарантировано

Печать IronClad обеспечивает гарантию и означает, что один из наших инспекторов лично провел визуальное техническое освидетельствование всех ключевых компонентов, сделал необходимые фотографии, провел технические замеры для определения степени износа и, при необходимости, взял масла / жидкости для лабораторных анализов.

Акты технического освидетельствования на оборудование предоставляются для ознакомления бесплатно перед началом торгов. Мы гарантируем Вам, что Акты технического освидетельствования составлены честно и дают истинную картину о состоянии оборудования.

НЕ УПУСТИТЕ СВОЙ ШАНС ПОКУПКИ КАЧЕСТВЕННОГО ОБОРУДОВАНИЯ



автобай
АВТОМОБИЛЬНАЯ КОМПАНИЯ

marketing@autoby.by

Page Title	Page Number
ENGINE - UP TO NO B165021	1
ENGINE - FROM NO B165022	2
HEATER-ENGINE BLOCK - UP TO NO C087025	3
HEATER-ENGINE BLOCK - FROM NO C087026	4
FAN DRIVE SECTION - T6.60 ENGINE	5
FAN AND EXTENSION - T6.60 ENGINE	6
CYLINDER BLOCK - T6.60 ENGINE	7
CRANKSHAFT, PISTONS AND CONNECTING RODS - T6.60 ENGINE	8
CYLINDER HEAD - T6.60 ENGINE	9
ROCKER SHAFT - T6.60 ENGINE	10
TURBOCHARGER - T6.60 ENGINE	11
TURBOCHARGER-INLET AND EXHAUST MANIFOLD - T6.60 ENGINE	12
TURBOCHARGER-PIPES AND HEAT SHIELDS - T6.60 ENGINE	13
TIMING GEAR AND CAMSHAFT - T6.60 ENGINE	14
FUEL INJECTION EQUIPMENT (DIESEL) - T6.60 ENGINE	15
LUBRICATING OIL FILLER AND BREATHER - T6.60 ENGINE	16
LUBRICATING OIL SUMP - T6.60 ENGINE	17
LUBRICATING OIL FILTER AND INTEGRAL COOLER - T6.60 ENGINE	18
WATER PUMP, THERMOSTAT AND HEAT EXCHANGER - T6.60 ENGINE	19
LOW PRESSURE FUEL SYSTEM - T6.60 ENGINE	20
JOINTS AND GASKETS - T6.60 ENGINE	21
BATTERIES AND CABLES	22
BATTERIES AND CABLES	23
ALTERNATOR-VALEO	24
STARTER - MAGNETI-MARELLI	25
FUEL SYSTEM-FUEL TANK AND ATTACHMENTS	26
FUEL SYSTEM-PIPES WITH THERMOSTART	27
FUEL SYSTEM-PIPES WITH ETHERSTART	28
FUEL SYSTEM-FUEL FILTER	29
FUEL FLOWMETER	30
FUEL FLOWMETER	31
COOLING SYSTEM-ENGINE - UP TO B249025	32
COOLING SYSTEM-ENGINE - FROM B249026	33
AIR FILTER-WITH THERMOSTART EQUIPMENT	34
AIR FILTER-WITH ETHERSTART EQUIPMENT	35
AIR FILTER-DRY - DUAL ELEMENT	36
AIR PRE FILTER	37
EXHAUST SYSTEM-VERTICAL	38
THROTTLE CONTROLS	39
THROTTLE CONTROLS	40
THROTTLE CONTROLS	41
FRONT WHEELS-2 WHEEL DRIVE - FITTING 8 SCREWS	42
FRONT WHEELS-4 WHEEL DRIVE - FITTING 6 STUDS	43
FRONT WHEELS-4 WHEEL DRIVE - FITTING 6 STUDS	44
WHEEL WEDGES - FROM NO A030024 - UP TO NO B249027	45
WHEEL WEDGES - FROM NO B249028	46
FRONT AXLE 4 WHEEL DRIVE-MUDGUARDS AND SUPPORTS - TURNING ANGLE OF 50 DEGREE	47
REAR WHEELS	48
REAR WHEELS	49
REAR WHEELS-PAVT - 6 RAILS	50
REAR WHEELS-FIXING BY CONE	51
REAR WHEELS-FIXING BY CONE	52

TABLE OF CONTENT

00

REAR WHEELS-PAVT - 8 RAILS	53
FRONT PTO-HOUSING - COUNTERCLOCKWISE DRIVE FRONT PTO	54
FRONT PTO-DRIVE - COUNTERCLOCKWISE DRIVE FRONT PTO	55
INDEPENDANT POWER TAKE OFF CLUTCH - FOR DRIVE FRONT PTO	56
FRONT PTO-DRIVE - COUNTERCLOCKWISE DRIVE FRONT PTO	57
FRONT PTO-DRIVE - COUNTERCLOCKWISE DRIVE FRONT PTO	58
FRONT PTO-LINES - COUNTERCLOCKWISE DRIVE FRONT PTO	59
FRONT PTO-HARNES	60
FRONT PTO-SWITCH	61
CLUTCH	62
CLUTCH PEDAL AND LINKAGE - UP TO NO D006032	63
CLUTCH PEDAL AND LINKAGE - FROM NO D006033	64
CLUTCH PEDAL AND LINKAGE - UP TO NO D006032	65
CLUTCH PEDAL AND LINKAGE - DYNASHIFT - SPEEDSHIFT FROM D006033	66
CLUTCH PEDAL AND LINKAGE - WITH WET CLUTCH	67
CLUTCH CONTROL-MASTER CYLINDER - DYNASHIFT - SPEEDSHIFT FROM D006033	68
CLUTCH PEDAL AND LINKAGE-DYNASHIFT VERSION	69
CLUTCH PEDAL AND LINKAGE-DYNASHIFT VERSION	70
FRONT SPACER	71
FRONT SPACER	72
WET CLUTCH - DYNASHIFT	73
WET CLUTCH	74
WET CLUTCH - DYNASHIFT	75
WET CLUTCH - VALVE WITH DYNASHIFT	76
WET CLUTCH - DYNASHIFT	77
WET CLUTCH - WITH SPEEDSHIFT	78
WET CLUTCH - WITH SPEEDSHIFT	79
WET CLUTCH - VALVE WITH SPEEDSHIFT	80
WET CLUTCH - WITH SPEEDSHIFT	81
TRANSMISSION	82
PTO SHAFT	83
TRANSMISSION-SPEEDSHIFT	84
TRANSMISSION-SPEEDSHIFT	85
TRANSMISSION-REVERSE GEAR - WITH SPEEDSHIFT	86
TRANSMISSION-REVERSE GEAR - CONTROL	87
TRANSMISSION-COUNTERSHAFT - 8 SPEED TRANSMISSION - UP TO SERIAL NB D117040	88
TRANSMISSION-COUNTERSHAFT - 8 SPEED TRANSMISSION - FROM SERIAL NB D117041	89
TRANSMISSION-MAIN SHAFT - 8 SPEED TRANSMISSION - UP TO SERIAL NB D117040	90
TRANSMISSION-MAIN SHAFT - 8 SPEED TRANSMISSION - FROM SERIAL NB D117041	91
TRANSMISSION-OUTPUT SHAFT	92
SYNCHRO	93
DYNASHIFT	94
DYNASHIFT - UP TO SERIAL NUMBER D026003	95
DYNASHIFT	96
DYNASHIFT TRANSMISSION-INPUT SHAFT WITH SYNCHROMESH	97
DYNASHIFT TRANSMISSION-COUNTERSHAFT	98
DYNASHIFT TRANSMISSION-MAIN SHAFT	99
DYNASHIFT TRANSMISSION-OUTPUT SHAFT	100
DYNASHIFT TRANSMISSION-IPTO SHAFT	101
DYNASHIFT TRANSMISSION-LUBRICATION DYNASHIFT FEEDING	102
DYNASHIFT TRANSMISSION-LUBRICATION DYNASHIFT FEEDING	103

TABLE OF CONTENT

TRANSMISSION CONTROL-COVER - 8 SPEED TRANSMISSION GEAR SELECTION	104
TRANSMISSION CONTROL-COVER - 8 SPEED TRANSMISSION GEAR SELECTION	105
SHIFT LEVER - EXCEPTED DYNASHIFT - UP TO NO B110010	106
SHIFT LEVER - EXCEPTED DYNASHIFT - FROM NO B110011	107
SHIFT LEVER - WITH DYNASHIFT OR WITHOUT SPEEDSHIFT	108
TRANSMISSION CONTROL-COVER - GEAR SELECTION CONTINUATION	109
TRANSMISSION CONTROL-FORK - 8 SPEED TRANSMISSION - UP TO SERIAL NB D117040	110
TRANSMISSION CONTROL-FORK - 8 SPEED TRANSMISSION - FROM SERIAL NB D117041	111
TRANSMISSION CONTROL-FORK - 8 SPEED TRANSMISSION WITH DYNASHIFT	112
ROAD SPEED LIMITING DEVICE - FROM NO B165013	113
EPICYCLIC UNIT - CREEPER GEAR	114
EPICYCLIC UNIT - CREEPER GEAR - CONTROL	115
CREEPER GEARBOX CONTROL	116
BRAKES-HANDBRAKE	117
HANDBRAKE-MECHANISM	118
HANDBRAKE-MECHANISM	119
HANDBRAKE-MECHANISM	120
HANDBRAKE-MECHANISM	121
REAR AXLE-CENTRE HOUSING	122
REAR AXLE DIFFERENTIAL-WITH HYDROMECHANICAL LOCK	123
REAR AXLE DIFFERENTIAL LOCK MECHANISM-HYDROMECHANICAL	124
SHORT REAR AXLE HOUSINGS-INNER FINAL DRIVE GEAR	125
PTO-DRIVE MECHANISM-TWO SPEED	126
PTO DRIVE MECHANISM-FOUR SPEED	127
PTO DRIVE MECHANISM-FOUR SPEED - GEAR SELECTION	128
PTO DRIVE MECHANISM-FOUR SPEED - CABLE CONTROL	129
PTO DRIVE MECHANISM - BRAKES OPERATING	130
INDEPENDANT POWER TAKE OFF CLUTCH - 5 DISC	131
INDEPENDANT POWER TAKE OFF CLUTCH - DRIVING LEVER	132
PTO-DISMOUNTABLE DRIVE MECHANISM	133
GUARD-PTO	134
PTO-COUPLING DRIVE MECHANISM	135
PTO-COUPLING DRIVE MECHANISM - CABLE CONTROL	136
PTO-COUPLING DRIVE MECHANISM - DRIVING LEVER	137
PTO-PROPORTIONAL DRIVE MECHANISM - 4 WHEELS DRIVE	138
PTO-PROPORTIONAL DRIVE MECHANISM - CABLE CONTROL	139
HYDRAULIC LIFT COVER	140
HAND LIFT - LIFT COVER	141
LINKAGE-SWINGING DRAWBAR - UP TO SERIAL : JUNE 1993	142
LINKAGE-SWINGING DRAWBAR - LEMOINE - HEAVY DUTY SUPPORT	143
HITCH - CRAMER WITH SWINGING DRAWBAR UP TO SERIAL NO D116044	144
HITCH - CRAMER WITH SWINGING DRAWBAR FROM SERIAL NUMBER D116045	145
HITCH - CRAMER WITH HEAVY DUTY SUPPORT UP TO SERIAL NUMBER D115009	146
HITCH - CRAMER AVEC SUPPORT HEAVY DUTY FROM NO D115010	147
HITCH - LEMOINE HITCH	148
AUTOMATIC HITCH-WITH REMOTE CONTROL	149
AUTOMATIC HITCH-WITH REMOTE CONTROL	150
AUTOMATIC HITCH-WITH REMOTE CONTROL	151
AUTOMATIC HITCH-WITH REMOTE CONTROL	152
AUTOMATIC HITCH-WITH REMOTE CONTROL - WITH LINK YLO	153
AUTOMATIC HITCH-WITH REMOTE CONTROL - WITH LINK YLO - FROM SERIAL NO B134030	154
FRONT LINKAGE - NEW VERSION - FRAME	155

TABLE OF CONTENT

FRONT LINKAGE - NEW VERSION - LIFTING ARM	156
FRONT LINKAGE - NEW VERSION - HYDRAULIC	157
LINKAGE-TOP LINK WITH BALL END - UP TO SERIAL NUMBER B210025	158
LINKAGE-TOP LINK WITH BALL END - FROM SERIAL NUMBER B210026	159
LINKAGE-TOP LINK WITH HOOK END - UP TO SERIAL NUMBER B308009	160
LINKAGE-TOP LINK WITH HOOK END - FROM SERIAL NUMBER B308010	161
DRAWBAR	162
DRAWBAR - LOWER WITH BALL	163
DRAWBAR - BOTTOM BAR-WITH AUTOMATIC HOOK	164
DRAWBAR - HITCH BAR WITH TELESCOPIC END	165
DRAWBAR - HITCH BAR WITH TELESCOPIC END CBM FROM D047022	166
LINKAGE-DRAWBAR	167
LINKAGE-TUBE STABILIZERS	168
LINKAGE-TOGGLES CAT 2 AND 3	169
FRONT AXLE - BRACKET	170
BELLY WEIGHT	171
FRONT AXLE - 8 HOLES	172
FRONT AXLE	173
FRONT AXLE 2 WHEEL DRIVE-CYLINDERS	174
FRONT AXLE 4 WHEEL DRIVE-CLUTCH	175
FRONT AXLE 4 WHEEL DRIVE-DIFFERENTIAL LOCK MECHANISM	176
GUARD AND TRANSMISSION SHAFT	177
FRONT AXLE 4 WHEEL DRIVE - WITH LOCK MECHANISM HYDROMECHANICAL - UP TO NO C320038	178
FRONT AXLE 4 WHEEL DRIVE - WITH LOCK MECHANISM HYDROMECHANICAL - FROM NO C320039	179
FRONT AXLE 4 WHEEL DRIVE-STEERING CYLINDERS - UP TO NO C320038	180
FRONT AXLE 4 WHEEL DRIVE-STEERING CYLINDERS - FROM NO C320039	181
FRONT AXLE 4 WHEEL DRIVE-HOUSING - UP TO NO C320038	182
FRONT AXLE 4 WHEEL DRIVE-HOUSING - FROM NO C320039	183
FRONT AXLE 4 WHEEL DRIVE-DIFFERENTIAL - UP TO NO C320038	184
FRONT AXLE 4 WHEEL DRIVE-DIFFERENTIAL - FROM NO C320039	185
FRONT AXLE 4 WHEEL DRIVE-FINAL DRIVE - UP TO NO C320038	186
FRONT AXLE 4 WHEEL DRIVE-FINAL DRIVE - FROM NO C320039	187
STEERING-STEERING WHEEL AND COLUMN	188
STEERING-STEERING WHEEL AND COLUMN - TELESCOPIC STEERING WHEEL	189
STEERING-STEERING WHEEL AND COLUMN - TELESCOPIC STEERING WHEEL	190
STEERING WHEEL AND COLUMN-DYNASHIFT VERSION	191
STEERING WHEEL AND COLUMN-DYNASHIFT VERSION - TELESCOPIC STEERING WHEEL	192
STEERING WHEEL AND COLUMN-DYNASHIFT VERSION	193
STEERING-STEERING PUMP	194
STEERING HYDRAULIC LINES - 2WHEEL DRIVE	195
STEERING HYDRAULIC LINES - 4 WHEELS DRIVE	196
STEERING HYDRAULIC LINES - FILTER AND BRACKET UP TO D004047	197
STEERING HYDRAULIC LINES - FILTER AND BRACKET FROM D004048	198
HYDRAULIC PUMP-COVER	199
HYDRAULIC PUMP-COVER - WITHOUT TRAILER BRAKING - 2 WHEEL DRIVE	200
HYDRAULIC PUMP-COVER - WITHOUT TRAILER BRAKING - 4 WHEEL DRIVE	201
HYDRAULIC PUMP-COVER - WITH TRAILER BRAKING - 4 WHEEL DRIVE	202
HYDRAULIC PUMP-COVER - LOW PRESSURE SWITCH	203
HYDRAULIC PUMP	204
AUXILIARY HYDRAULIC VALVE LINES - WITHOUT DISTRIBUTOR	205
HYDRAULIC LIFT VALVE	206
HYDRAULIC LIFT VALVE - PIPES FROM NO E240024	207

TABLE OF CONTENT

HYDRAULIC LIFT VALVE - PIPES FROM NO E240024	208
HYDRAULIC LIFT VALVE - UP TO NO E240023	209
LINKAGE-LIFT CYLINDERS - WITH 2 CYLINDER	210
HAND LIFT	211
LINKAGE-LIFT CYLINDERS	212
HYDRAULIC TRANSPORT SHOCK ABSORBER	213
AUXILIARY HYDRAULIC VALVE LINES - 2 OR 3 DISTRIBUTORS	214
DISTRIBUTOR - AUTOMATIC NEUTRAL POSITION	215
DISTRIBUTOR - AUTOMATIC NEUTRAL POSITION, - WITH FLOW DIVIDER	216
DISTRIBUTOR - FOR GERMANY ONLY	217
DISTRIBUTOR - MANUAL NEUTRAL POSITION	218
DISTRIBUTOR	219
AUXILIARY HYDRAULICS - CONTROL WITH 2 DISTRIBUTOR	220
AUXILIARY HYDRAULICS - CONTROL WITH 2 DISTRIBUTOR, 1 WITH FLOATING POSITION	221
AUXILIARY HYDRAULICS - CONTROL WITH 3 DISTRIBUTOR	222
HYDRAULIC LINES - LOW PRESSURE	223
LOW PRESSURE DISTRIBUTION VALVE - UP TO NO D006032	224
LOW PRESSURE DISTRIBUTION VALVE-DYNASHIFT - FROM NO D006033 - UP TO D086000	225
LOW PRESSURE DISTRIBUTION VALVE - DYNASHIFT - SPEEDSHIFT FROM D086001	226
BRAKES-MASTER CYLINDER	227
BRAKES-MASTER CYLINDER	228
BRAKES-PEDALS	229
MANUAL BRAKING HYDRAULICS - UP TO SERIAL NUMBER D086000	230
MANUAL BRAKING HYDRAULICS - FROM NO D086001	231
HYDRAULIC BRAKES-TRAILER BRAKES - TWO LINES - UP TO SERIAL NUMBER D086000	232
HYDRAULIC BRAKES-TRAILER BRAKES - TWO LINES - FROM NO D086001	233
TRAILER BRAKE VALVE	234
INSTRUMENT PANEL AND INSTRUMENTS	235
INSTRUMENT PANEL AND INSTRUMENTS	236
ELECTRIC EQUIPMENT & INSTRUMENT PANEL - ENGINE	237
ELECTRIC EQUIPMENT & INSTRUMENT PANEL - LIGHTING	238
ELECTRIC EQUIPMENT & INSTRUMENT PANEL - LIGHTING FOR GERMANY	239
ELECTRIC EQUIPMENT & INSTRUMENT PANEL - LIGHTING USA AND GERMANY	240
INSTRUMENT PANEL AND INSTRUMENTS-DYNASHIFT	241
ELECTICAL CONTROLS-SWITCHES	242
TRACTOR CAB-ELECTRICAL WIRING	243
TRACTOR CAB-ELECTRICAL WIRING - EQUIPMENT WITH ETHER	244
TRACTOR CAB-ELECTRICAL WIRING - EQUIPMENT WITHOUT ETHER	245
TRACTOR CAB-ELECTRICAL WIRING - INSTRUMENT PANEL WITHOUT ETHER STARTING	246
TRACTOR CAB-ELECTRICAL WIRING - INSTRUMENT PANEL LIGHTING	247
TRACTOR CAB-ELECTRICAL WIRING - INSTRUMENT PANEL LIGHTING GERMANY	248
TRACTOR CAB-ELECTRICAL WIRING - UNITED STATES	249
TRACTOR CAB-ELECTRICAL WIRING	250
TRACTOR CAB-ELECTRICAL WIRING	251
TRACTOR CAB-ELECTRICAL WIRING - COWL	252
ELECTRONIC LIFT-MAIN HARNESS	253
ELECTRONIC LIFT-CONSOLE	254
ABOARD COMPUTER	255
ABOARD COMPUTER-TRANSFERS - WITH TPM WITH FLOW FUEL	256
ABOARD COMPUTER-WIRING	257
ABOARD COMPUTER - FOR GERMANY ONLY UP TO B112001	258

TABLE OF CONTENT

RADAR	259
ELECTRONIC EQUIPEMENT-CONTROL BOX - UP TO B165012 (SPEEDSHIFT) OR B125021 (DYNASHIFT)	260
ELECTRONIC EQUIPEMENT-CONTROL BOX - FROM B165013 (SPEEDSHIFT) OR B125022 (DYNASHIFT)	261
ELECTROVANES HARNESS - UP TO B165012 (SPEEDSHIFT) OR B125021 (DYNASHIFT)	262
ELECTROVANES HARNESS - FROM B165013 WITH SPEEDSHIFT	263
ELECTROVANES HARNESS - FROM NO B125022 WITH DYNASHIFT	264
DYNASHIFT-ELECTRICAL WIRING - UP TO NO B125021	265
DYNASHIFT-ELECTRICAL WIRING - FROM NO B125022	266
SENSORS HARNESS - UP TO B165012 (SPEEDSHIFT) OR B125021 (DYNASHIFT)	267
SENSORS HARNESS - FROM B165013 (SPEEDSHIFT) OR B125022 (DYNASHIFT)	268
TRACTOR CAB-ELECTRICAL WIRING - UP TO NO B165012 (SPEEDSHIFT)	269
TRACTOR CAB-ELECTRICAL WIRING - FROM B165013 WITH SPEEDSHIFT	270
TRACTOR CAB-ELECTRICAL WIRING - WITH DYNASHIFT UP TO B125021	271
TRACTOR CAB-ELECTRICAL WIRING - FROM NO B125022 WITH DYNASHIFT	272
WEIGHT FRAME AND TOW PIN	273
SHEET METAL-GRILLE	274
SHEET METAL-HOOD	275
SHEET METAL-HOOD - BRACKETS AND ASSEMBLING PARTS	276
TRACTOR CAB-CAB MOUNTINGS AND STEP / STAIRS	277
TOOL BOX	278
DECALS-SPEED CHARTS - 8 SPEED TRANSMISSION (KMH)	279
DECALS-SPEED CHARTS - 8 SPEED TRANSMISSION WITH DYNASHIFT	280
EMBLEMS	281
EMBLEMS - UNITED-STADES	282
DECALS-SAFETY	283
TRACTOR CAB-FRAME	284
FENDER EXTENSION	285
TRACTOR CAB-FENDERS - FENDER EXTENSION MAUSER	286
TRACTOR CAB-FRONT SIDE - TUNNEL	287
TRACTOR CAB-FLOOR PANELS	288
TRACTOR CAB-FENDER MOULDINGS	289
TRACTOR CAB-ROOF	290
TRACTOR CAB-HEATING HATCHWAY	291
TRACTOR CAB-AIR HATCHWAY	292
TRACTOR CAB-DOORS	293
TRACTOR CAB-DOORS - LOCK	294
TRACTOR CAB-WINDOWS - GASKET	295
TRACTOR CAB-WINDOWS	296
TRACTOR CAB-WINDOWS - DEFLECTOR KNOB	297
TRACTOR CAB-WINDOWS - REAR WINDOW MECHANISM UP TO SERIAL NO C136021	298
TRACTOR CAB-WINDOWS - REAR WINDOW MECHANISM FROM SERIAL NUMBER C136022	299
TRACTOR CAB-CLADDING - INSTRUMENT PANEL	300
TRACTOR CAB-CLADDING - LOWER COMPONENT	301
TRACTOR CAB-CLADDING - BRACKETS AND ASSEMBLING PARTS	302
TRACTOR CAB-CAB INSULATION	303
TRACTOR CAB-FLOOR PANELS	304
TRACTOR CAB-CAB INSULATION - UPPER COMPONENTS	305
TRACTOR CAB-CLADDING - DOOR	306
TRACTOR CAB-ROOF EQUIPMENT	307
TRACTOR CAB-CLADDING - ROOF	308
COOLING SYSTEM-AIR CONDITIONED INSTALLATION - UP TO SERIAL NO	309

TABLE OF CONTENT

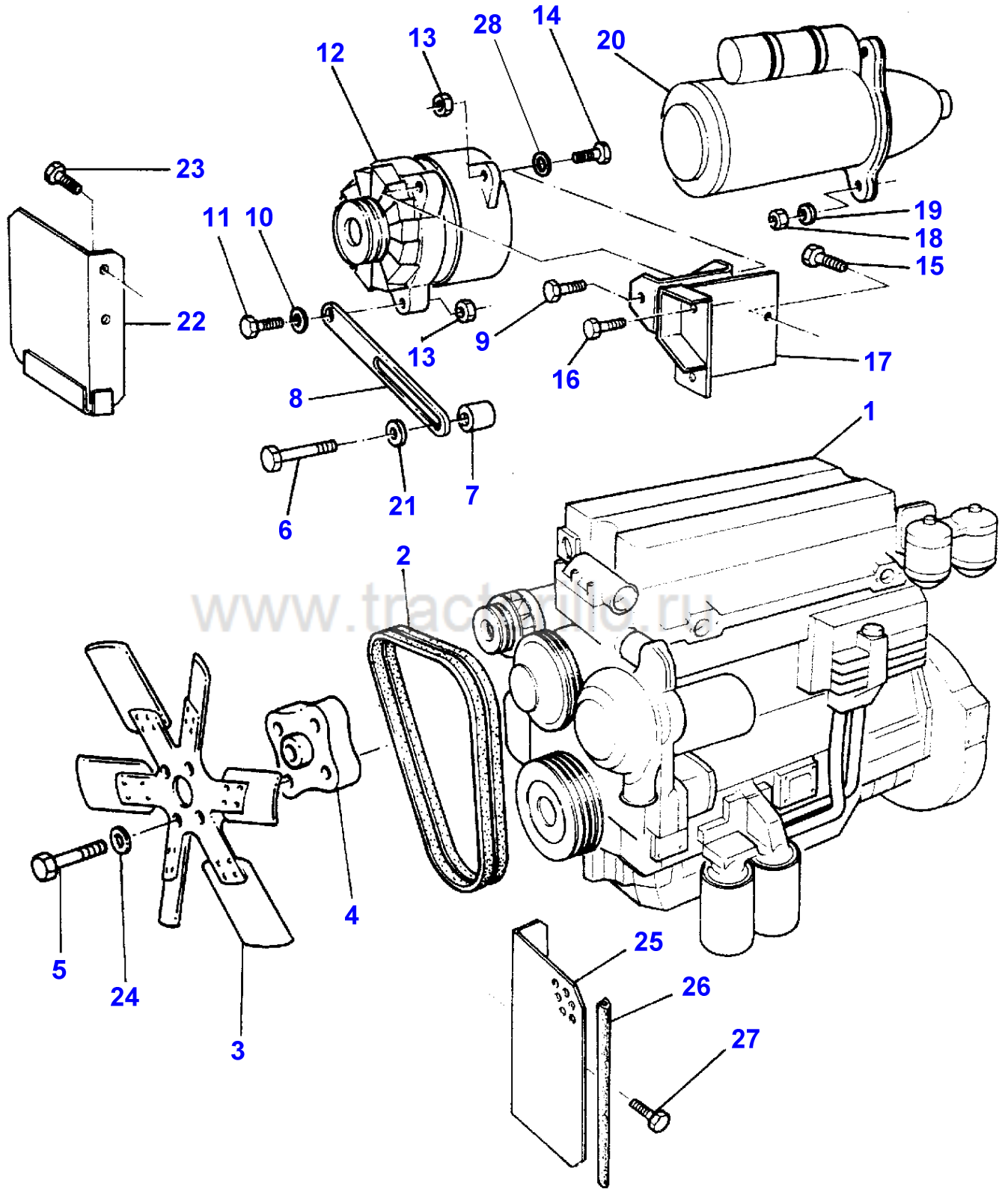
C210009	
COOLING SYSTEM-AIR CONDITIONED INSTALLATION - FROM SERIAL NO C210010	310
AIR CONDITIONER-HOSE - UP TO SERIAL NO C210009	311
AIR CONDITIONER-HOSE - FROM SERIAL NO C210010	312
COOLING SYSTEM -AIR CONDITIONED-SANKYO COMPRESSER - UP TO SERIAL NO C210009	313
COOLING SYSTEM -AIR CONDITIONED-SANDEN COMPRESSER - FROM SERIAL NO C210010	314
CAB HEATING SYSTEM-ENGINE PART	315
TRACTOR CAB-HEATER HOSES	316
TRACTOR CAB-HEATER	317
TRACTOR CAB-HEATER	318
TRACTOR CAB-HEATER	319
AIR CONDITIONER	320
AIR CONDITIONER - UP TO SERIAL NO C210009	321
AIR CONDITIONER - FROM SERIAL NO C210010	322
AIR CONDITIONER - FROM SERIAL NO C210010	323
TRACTOR CAB-HEATER - HEATER OPERATING	324
TRACTOR CAB-HEATER	325
TRACTOR CAB-WINDSCREEN WASHER	326
TRACTOR CAB-WINDSCREEN WIPER	327
TRACTOR CAB-REAR WINDOW WIPER	328
TRACTOR CAB-SUN SHIELD	329
TRACTOR CAB-RADIO INSTALLATION - BLAUPUNKT TYPE	330
TRACTOR CAB-RADIO INSTALLATION	331
TRACTOR CAB - DIGITAL WATCH	332
CIGAR LIGHTER AND ASHTRAY	333
TRACTOR CAB-EXTERNAL MIRRORS	334
TRACTOR CAB-EXTERNAL MIRRORS - UP TO SERIAL NUMBER B202000	335
TRACTOR CAB-EXTERNAL MIRRORS	336
TRACTOR CAB-INTERNAL MIRRORS	337
SECONDARY SEAT	338
SECONDARY SEAT	339
SEAT-GRAMMER - AIR PRESSURE RIGID	340
SEAT-GRAMMER - PNEUMATIC SEAT RIGID.UPPER COMPONENTS	341
SEAT-GRAMMER - PNEUMATIC SEAT RIGID.SUSPENSION	342
SEAT-GRAMMER	343
SEAT-GRAMMER	344
SEAT-GRAMMER - TURNING AIR PRESSURE	345
SEAT-GRAMMER - TURNING AIR PRESSURE.UPPER COMPONENTS	346
SEAT-GRAMMER - TURNING AIR PRESSURE.SUSPENSION	347
SEAT-GRAMMER - PLATFORM	348
SEAT BELT	349
PLATFORM WITH PILLARS	350
PLATFORM WITH PILLARS	351
PLATFORM-FRONT SIDE - TUNNEL	352
FENDERS AND PLATFORM	353
PLATFORM WITH PILLARS-ROOF	354
PLATFORM-CLADDING	355
PLATFORM-INSTRUMENT PANEL CLADDING	356
TRACTOR CAB-CAB LIGHTING	357
LIGHTING EQUIPMENT-FRONT - HORN	358
LIGHTING EQUIPMENT-REAR	359
FIELD LIGHTS - STANDARD CAB	360
FIELD LIGHTS - PLATFORM WITH PILLARS	361

TABLE OF CONTENT

FIELD LIGHTS - PLATFORM WITH PILLARS	361
LIGHTING KITS	362
TRACTOR CAB-LIGHTING EQUIPMENT	363
TRACTOR CAB-LIGHTING EQUIPMENT - TRACTOR CAB AND PLATFORM WITH PILLARS FOR SPAIN	364
TRACTOR CAB-ELECTRICAL WIRING	365
PLATFORM WITH PILLARS-ELECTRICAL WIRING	366
ENGINE OVERHAUL KITS	367
CLUTCH PEDAL AND LINKAGE	368
CLUTCH PEDAL AND LINKAGE - REPAIR KIT 3713619M12 (CONTINUED)	369
CLUTCH PEDAL AND LINKAGE - REPAIR KIT 3713619M12 (CONTINUED)	370
TRANSMISSION-SPEEDSHIFT	371
TRANSMISSION-SPEEDSHIFT	372
DYNASHIFT	373
DYNASHIFT	374
TRANSMISSION-DYNASHIFT	375
TRANSMISSION CONTROL-COVER	376
GEAR BOX	377
GEAR BOX - REPAIR KIT 3712662M12 (CONTINUED)	378
GEAR BOX - REPAIR KIT 3712662M12 (CONTINUED)	379
GEAR BOX	380
GEAR BOX - REPAIR KIT 3714352M11 (CONTINUED)	381
SHORT REAR AXLE HOUSINGS-INNER FINAL DRIVE GEAR - HEAVY DUTY WHEEL DRIVER 85 MM	382
SHORT REAR AXLE HOUSINGS-INNER FINAL DRIVE GEAR - HEAVY DUTY - BRAKE KIT	383
BOLTS	384
NUTS	385
WASHERS	386
CIRCLIPS	387
O RINGS	388

www.tractorillo.ru

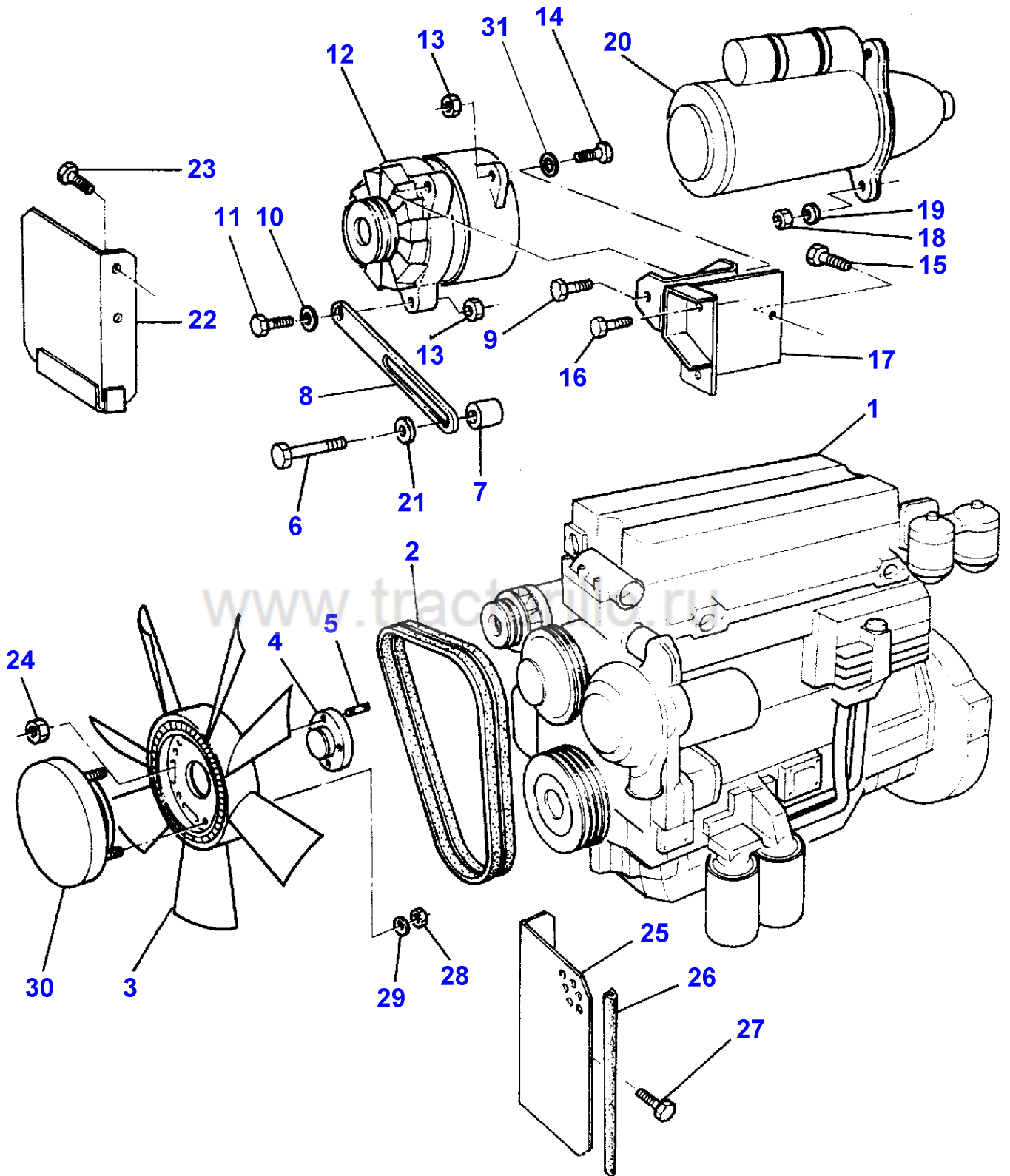
1-AA01-070



Item	Part Number	Qty	Description	Comments
				UP TO NO B165021
1	3618836M1	1	Engine	1006-6 (TLR) PEL-YB31265
1	3641409M91	1	Short Engine	
2	3619084M91	1	Kit, Belt	
3	3582655M1	1	Fan	
4	739608M1	1	Spacer	
5	339891X1	4	Screw Metric	Diameter M8X80
6	339084X1	1	Bolt Metric	Diameter M8X100
7	3618905M1	1	Spacer	
8	3582623M1	1	Tensioner	
9	339011X1	1	Bolt Metric	Diameter M8X45
10	385361X1	1	Washer Metric	Diameter 8MM
11	339337X1	1	Screw Metric	Diameter M8X30
12	3618906M1	1	Alternator	See Page - Reference Number 24/
13	339169X1	3	Nut Metric	Diameter M8
14	339009X1	1	Bolt Metric	Diameter M8X35
15	339081X1	1	Screw Metric	Diameter M10X20
16	339159X1	2	Bolt Metric	Diameter M8X65
17	3617610M1	1	Support	
18	339402X1	3	Nut Metric	Diameter M10
19	339376X1	3	Lock Washer	Up to Serial or Engine Number Diameter 10MM
20	3581576M2	1	Startermotor	See Page - Reference Number 25/
21	385361X1	1	Washer Metric	
22	3615589M3	1	Cowl	
23	339282X1	2	Screw Metric	M10X16
24	339374X1	1	Lock Washer	Diameter 8
25	3615588M2	1	Cowl	For Germany only or any text in German only
26	3580695M1	1	Gasket	For Germany only or any text in German only Length 500MM
27	3009914X1	2	Screw	For Germany only or any text in German only M10X10
28	391039X1	1	Washer Metric	

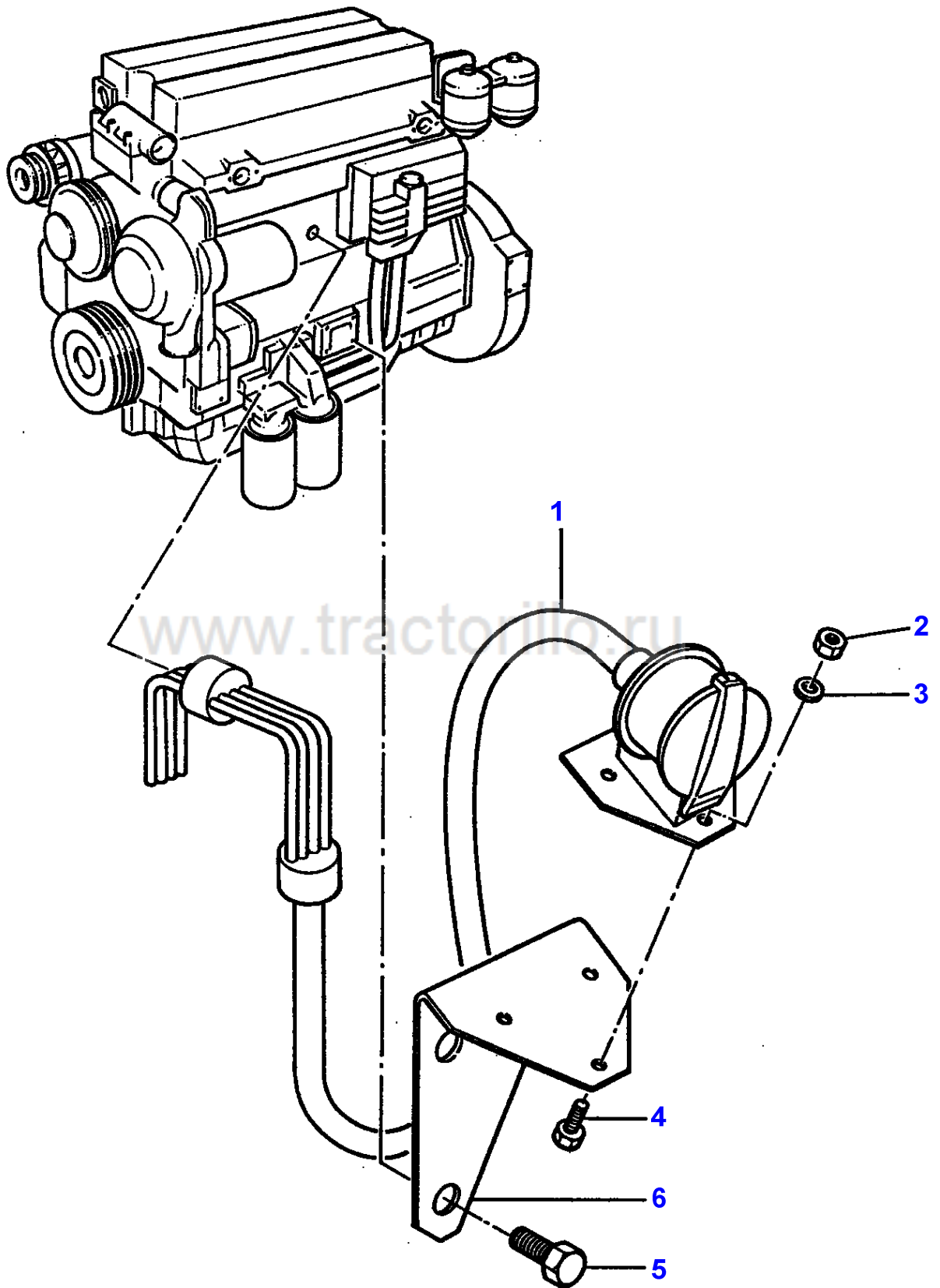
www.tractorinfo.ru

1-AA01-073



Item	Part Number	Qty	Description	Comments
				FROM NO B165022
1	3618836M1	1	Engine	1006-6 (TLR) PEL-YB31265
1	3641409M91	1	Short Engine	
2	3619084M91	1	Kit, Belt	
3	3582657M2	1	Fan	
4	3582741M1	1	Spacer	
5	3019065X1	4	Stud	M8X40
6	339084X1	1	Bolt Metric	Diameter M8X100
7	3618905M1	1	Spacer	
8	3582623M1	1	Tensioner	
9	339011X1	1	Bolt Metric	Diameter M8X45
10	385361X1	1	Washer Metric	Diameter 8MM
11	339337X1	1	Screw Metric	Diameter M8X30
12	3618906M1	1	Alternator	See Page - Reference Number 24/
13	339169X1	3	Nut Metric	Diameter M8
14	339009X1	1	Bolt Metric	Diameter M8X35
15	339081X1	1	Screw Metric	Diameter M10X20
16	339159X1	2	Bolt Metric	Diameter M8X65
17	3617610M1	1	Support	
18	339402X1	3	Nut Metric	Diameter M10
19	339376X1	3	Lock Washer	Up to Serial or Engine Number Diameter 10MM
20	3581576M2	1	Startermotor	See Page - Reference Number 25/
21	385361X1	1	Washer Metric	
22	3615589M3	1	Cowl	
23	339282X1	2	Screw Metric	M10X16
24	1441461X1	4	Nut Metric	M8
25	3615588M2	1	Cowl	For Germany only or any text in German only
26	3580695M1	1	Gasket	For Germany only or any text in German only Length 500MM
27	3009914X1	2	Screw	For Germany only or any text in German only M10X10
28	394367X1	4	Locknut	M8
29	390972X1	4	Washer Metric	
30	3582654M1	1	Clutch	
31	391039X1	1	Washer Metric	

1-AC38-007



MASSEY FERGUSON**MF 3120 TRACTOR - 1637260**

1637260

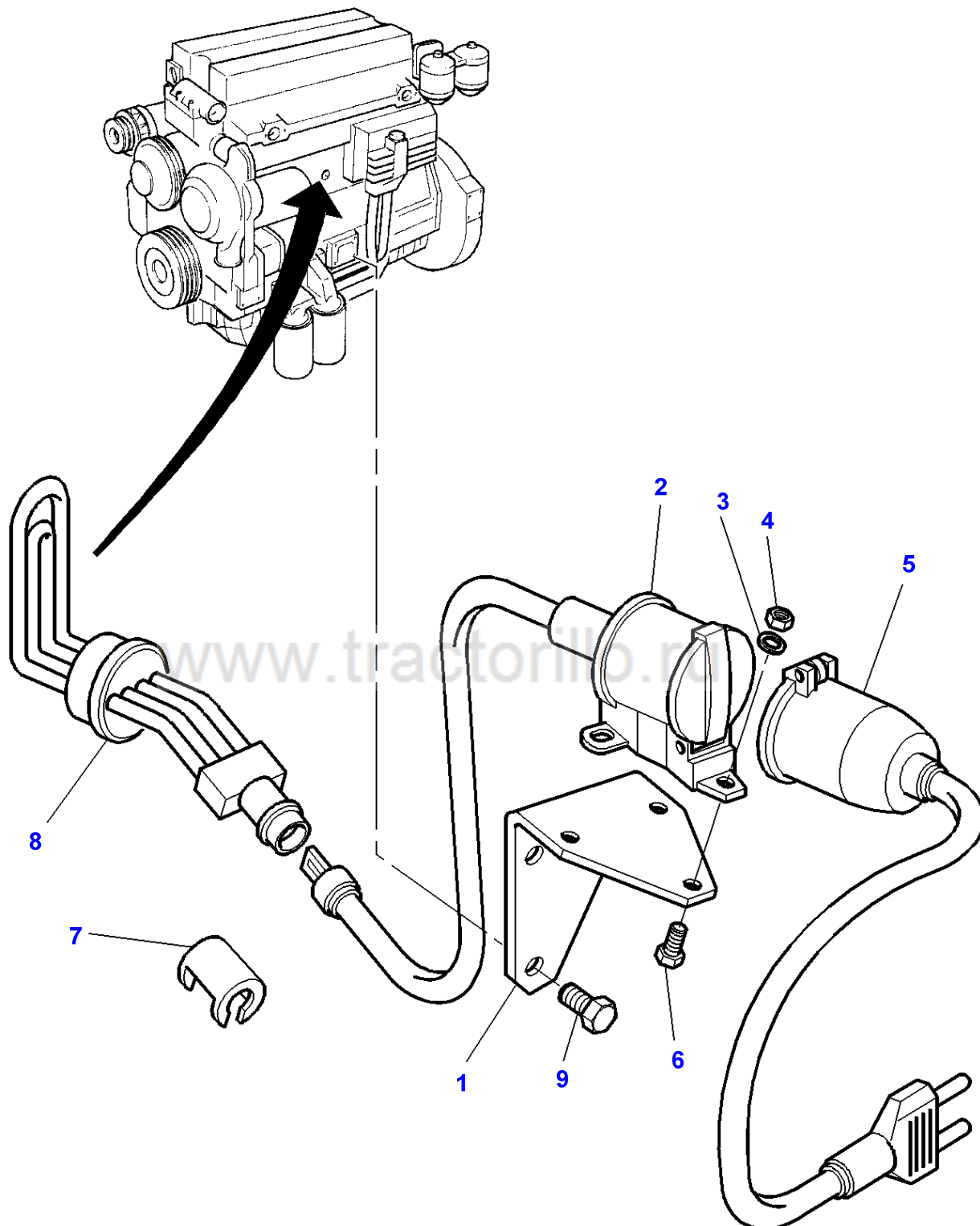
HEATER-ENGINE BLOCK - UP TO NO C087025

3

Item	Part Number	Qty	Description	Comments
				UP TO NO C087025
1	3616377M1	1	Heater	
2	1443615X1	3	Nut Metric	M4
3	3006154X1	4	Washer	
4	3009531X1	3	Screw Metric	M4X12
5	339282X1	2	Screw Metric	M10X16
6	3616275M1	1	Support	

www.tractorillo.ru

1-AC38-014



MASSEY FERGUSON**MF 3120 TRACTOR - 1637260**

1637260

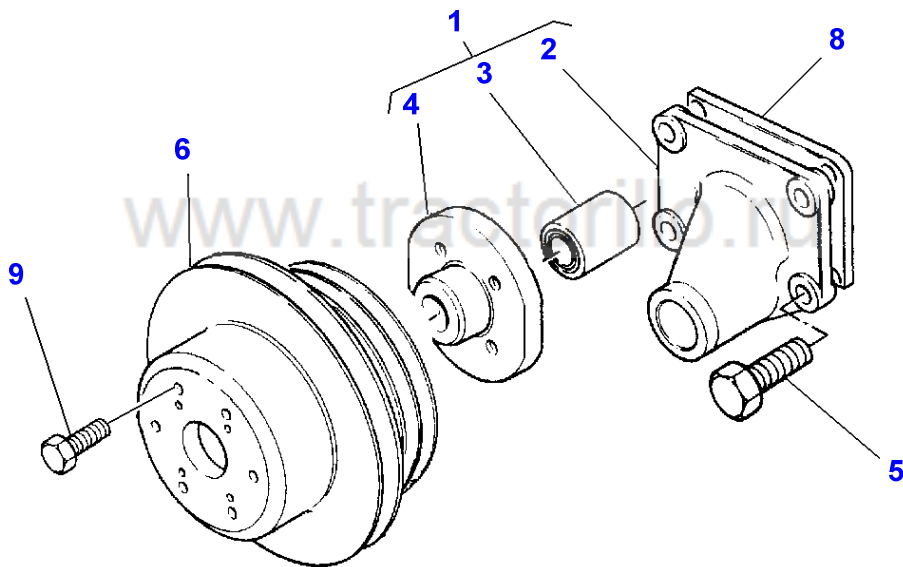
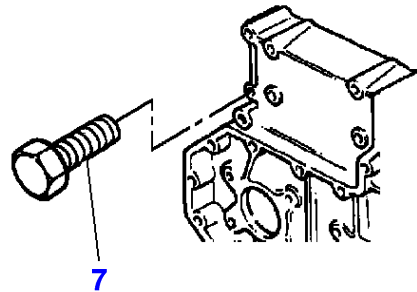
HEATER-ENGINE BLOCK - FROM NO C087026

4

Item	Part Number	Qty	Description	Comments
				FROM NO C087026
1	3616275M1	1	Support	
2	3611972M1	1	Lead	
3	3006154X1	4	Washer	
4	1443615X1	3	Nut Metric	M4
5	3611973M1	1	Lead	
6	3009531X1	3	Screw Metric	M4X12
7	3611974M1	1	Clip	
8	3619931M1	1	Heater	
9	339282X1	2	Screw Metric	M10X16

www.tractorillo.ru

Y-0636-10M-B



Item	Part Number	Qty	Description	Comments
				T6.60 ENGINE
1	3640864M91	1	Housing	
2		1	Housing	(1) Not serviced, order REF.1
3		1	Bearing	(1) Not serviced, order REF.1
4		1	Hub	(1) Not serviced, order REF.1
5	3638592M1	4	Screw	M10X50
6	3640865M1	1	Pulley	
7	3637096M1	4	Screw	
8	3638591M1	1	Plate	
9	3637011M1	4	Screw	

www.tractorillo.ru

Y-0635-01M-A

