

ORDER NO.- R3027      MODEL - RTC-80130 II      SERIAL NO. - R3K1-2005

DISTRIBUTOR: KELLY TRACTOR CO.  
 ENGINE:  
   MODEL- CAT C9 SERIES  
   S/N- JSC13013  
   OPERATION- SEBU7772  
   PARTS- SEBP4132

SALES ORDER: 022005  
 TRANSMISSION:  
   MODEL- N/A  
   S/N- N/A  
   OPERATION- N/A

AEM: BOOK- C-70-2  
 VIDEO- DVD-CR

O/M BOOK- 1143041410  
 ADDENDUMS - NONE  
 TECH BULLETINS - NONE  
 MISCELLANEOUS - HOIST ROPE CAUTION

PARTS PAGE	DESCRIPTION	PARTS PAGE	DESCRIPTION
01	RUBBER TIRE LOWER	01	RUBBER TIRE LOWER
*****			
01-001-452.00	CARRIER MIRROR INSTALL	01-090-005.00	2 SPEED HYDRAULIC DRIVE MOTOR ASSY
01-001-454.00	TOWING SHACKLES	01-090-006.00	1 SPEED HYDRAULIC DRIVE MOTOR ASSY
01-001-455.00	SKID PLATE INSTALLATION	01-091-016.00	HYDRAULIC DRIVE PLUMBING
01-001-549.00	SHEET METAL INSTALLATION	01-091-018.00	WHEEL DRIVE MANIFOLD INSTALLATION
01-001-551.00	SAND STRIP INSTALLATION	01-091-019.00	MANIFOLD BLOCK ASSY
01-007-041.00	STEER CYLINDER ASSY	01-091-020.00	HYDRAULIC DRIVE MOTORS & SUSPENSION INSTALLATION
01-009-081.00	REAR STEER INDICATOR INSTALLATION	03	UPPER FRAME & MACHY
01-025-042.00	BRAKE CALIPER ASSY	*****	
01-037-033.00	BEAM CYLINDER ASSY	03-002-057.00	SEAT ASSY
01-043-047.00	2 WAY VALVE STACK ASSY	03-003-256.00	43,000 LB COUNTERWEIGHT INSTALLATION
01-043-056.00	2 SECT STEER VALVE ASSY	03-006-133.00	2 POSITION SWING LOCK
01-043-059.00	4 WAY SOLENOID VALVE ASSY	03-010-136.00	CTWT CYLINDER ASSY
01-043-064.00	4 WAY DIRECTIONAL VALVE ASSY	03-010-138.00	COUNTERWEIGHT REMOVAL PLUMBING
01-045-162.00	O/R BEAM, CYLINDERS & LMS	04	VERTICAL SHAFTS
01-046-089.00	JACK CYLINDER ASSY	*****	
01-047-050.00	PRESSURE REDUCING VALVE ASSY	04-010-090.00	SWING REDUCTION & TT BRG INSTALLATION
01-048-203.00	ROTATING JOINT & CENTER SECTION	04-010-092.00	SWING REDUCTION UNIT WITH PINION ASSY
01-049-048.00	PONTOON INSTALLATION	05	HORIZONTAL SHAFTS
01-067-213.00	CARRIER WIRING	*****	
01-069-333.00	TIRE & WHEEL ASSY	05-006-102.00	WINCH ASSY
01-070-021.00	PINTLE HOOK ASSY	05-006-174.00	REAR WINCH INSTALLATION
01-070-024.00	PINTLE HOOK INSTALLATION	05-006-181.00	FRONT WINCH INSTALLATION
01-076-116.00	COLLECTOR RING ASSY	05-018-024.00	FRONT WINCH MIRROR & DEFLECTOR INSTALLATION
01-078-074.00	OSCILLATION CYLINDER ASSY		
01-078-078.00	OSCILLATION LOCKOUT MANIFOLD ASSY		
01-079-209.00	LOWER MAIN HYDRAULICS		
01-082-019.00	HYD OUTRIGGER PIN REMOVAL		
01-082-021.00	O/R PIN CYLINDER ASSY		
01-090-004.00	2 SPEED HYDRAULIC DRIVE MOTOR ASSY		

# KEYSHEET AND GENERAL INFORMATION

DATE 3/18/11  
PAGE 2

ORDER NO.- R3027      MODEL - RTC-80130 II      SERIAL NO. - R3K1-2005

PARTS PAGE	DESCRIPTION	PARTS PAGE	DESCRIPTION
05	HORIZONTAL SHAFTS	07	UPPER HYDRAULICS & AIR
*****			
05-018-025.00	WINCH MIRROR INSTALLATION	07-008-517.00	SINGLE AXIS CONTROLLER ASSY
06	UPPER ENGINE	07-008-518.00	SINGLE AXIS CONTROLLER ASSY
*****			
06-001-022.00	ENGINE & PUMP DRIVE INSTALLATION	07-008-522.00	HYD OFFSET FLY CONTROL VALVE ASSY
06-001-024.00	AIR INTAKE & EXHAUST INSTALLATION	07-008-531.00	PRESSURE REDUCING VALVE ASSY
06-001-025.00	RADIATOR, AIR & OIL COOLER ASSY	07-010-380.00	SEAT & SGL AXIS CONTROLS
06-001-027.00	ENGINE BLOCK HEATER INSTALLATION	07-011-045.00	HYDRAULIC RESERVOIR
06-001-034.00	RADIATOR INSTALLATION	07-022-063.00	STEERING COLUMN ASSY
06-001-035.00	SURGE TANK ASSY	07-022-067.00	STEERING CONTROL VALVE ASSY
06-001-038.00	OIL COOLER ASSY	14	CAB & HOUSE ASSEMBLY
06-001-049.00	FUEL TANK ASSY	*****	
06-001-050.00	FUEL TANK INSTALLATION	14-001-628.00	REAR SLIDING WINDOW ASSY
06-005-221.00	AIR CLEANER ASSY	14-001-629.00	RIGHT SIDE SLIDING WINDOW
06-029-028.00	BATTERY SPECIFICATIONS	14-001-647.00	LEFT SIDE SHEET METAL INSTALLATION
06-047-205.00	UPPER FRAME WIRE HARNESS	14-001-689.00	TOP HATCH WINDOW ASSY
06-047-237.00	UPPER WIRING	14-001-744.00	UPPER CAB MOUNTING
06-048-085.00	UPPER CAB WIRE HARNESS	14-001-756.00	UPPER CAB STEP ASSY
07	UPPER HYDRAULICS & AIR	14-001-779.00	UPPER CAB ASSY
*****			
07-003-079.00	4 WAY SOLENOID VALVE ASSY	14-001-807.00	BOOM CONTROL STORAGE BOX INSTALLATION
07-003-084.00	LOCK VALVE ASSY	14-001-811.00	UPPER ACOUSTIC INSTALL
07-004-542.00	UPPER MAIN HYDRAULICS	14-001-812.00	RIGHT SIDE SHEET METAL INSTALLATION
07-005-180.00	BM HOIST/TELESCOPE/CHARGE PUMP ASSY	16	WIRE ROPE REQUIREMENTS
07-005-183.00	CONTROLS PUMP ASSY	*****	
07-005-184.00	PUMP DRIVE ASSY	16-000-001.00	WIRE ROPE SPECIFICATIONS
07-005-185.00	CHARGE PUMP FILTER ASSY	16-000-168.00	TERMINATOR SOCKET & WEDGE & DRUM WEDGE
07-005-187.00	TRAVEL PUMP ASSY	16-005-068.00	WIRE ROPE-TYPE RB-850 FT
07-005-189.00	SWING/STEER PUMP ASSY	16-005-084.00	WIRE ROPE-TYPE RB-600 FT
07-005-190.00	WINCH PUMP ASSY	17	HYDRAULIC BOOM
07-006-330.00	SWING MOTOR ASSY	*****	
07-006-465.00	2 WINCH PUMPS INSTALL	17-001-163.00	BOOM FOOT PIN & BEARING
07-006-469.00	WINCH MOTOR ASSY	17-001-240.00	BASE SECTION
07-006-475.00	TWO WINCH PLUMBING	17-001-241.00	INNER SECTION
07-008-398.00	RELIEF VALVE ASSY	17-001-242.00	CENTER SECTION
07-008-509.00	BOOM HOIST/TELESCOPE CONTROL VALVE ASSY	17-001-243.00	OUTER SECTION
07-008-511.00	PRIORITY VALVE ASSY		
07-008-512.00	SWING CONTROL VALVE ASSY		

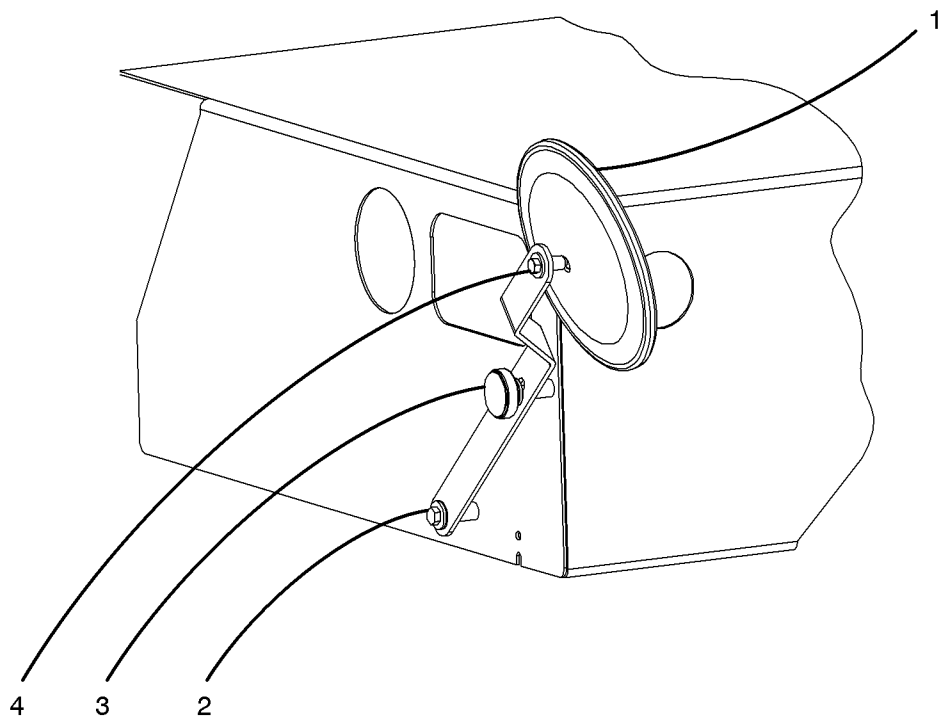
# KEYSHEET AND GENERAL INFORMATION

DATE 3/18/11  
PAGE 3

ORDER NO.- R3027      MODEL - RTC-80130 II      SERIAL NO. - R3K1-2005

PARTS PAGE	DESCRIPTION	PARTS PAGE	DESCRIPTION
17	HYDRAULIC BOOM	18	SPECIAL ATTACHMENTS
*****			
17-001-244.00	TIP SECTION	18-009-915.00	LINK-BELT LABELS & STRIPE
17-001-291.00	5 SECTION BOOM ASSY	18-009-920.00	CRANE RATING MANUAL & ID LABEL
17-002-141.00	LATCHING CYLINDER ASSY	18-009-921.00	43,000 LB CTWT LABEL
17-002-163.00	PINNING CYLINDER ASSY	18-009-945.00	FLY EXTENSION LABELS
17-002-169.00	TELESCOPE CYLINDER ASSY	18-009-958.00	HYD OFFSET FLY LABELS
17-002-182.00	TELESCOPE, PIN & LATCHING CYLINDERS INSTALLATION	18-009-975.00	LINK-BELT GRILLE LABEL
17-002-186.00	HOSE & ELEC REEL ASSY	18-009-992.00	O/R PIN REMOVAL LABEL
17-003-179.00	BOOM HOIST CYL & LINES	18-013-433.00	WIND SPEED SYSTEM INSTALL
17-003-181.00	BOOM HOIST CYLINDER ASSY	18-013-464.00	RCL SYSTEM & BOOM ANGLE INDICATOR INSTALLATION
17-009-106.00	AUXILIARY LIFTING SHEAVE	18-014-121.00	PARK BRAKE RELEASE TOOLS
17-009-114.00	6 SHEAVE HEAD MACHINERY	18-014-129.00	KEY RING & CRANE RATING MANUAL INSTALLATION
17-010-435.00	FLY TIP STORAGE BRACKETS	18-018-070.00	COMPRESSOR ASSY
17-010-436.00	18 FT FLY EXTENSION WITH SHEAVE	18-018-098.00	UPPER HEATER & EVAPORATOR ASSY
17-010-437.00	18 FT FLY EXTENSION ASSY	18-018-142.00	UPPER AIR CONDITIONING
17-010-445.00	FLY CENTER ASSY	18-020-146.00	SCHEMATICS
17-010-446.00	FLY TIP ASSY		
17-010-447.00	10 FT FLY BASE		
17-010-448.00	21 FT FLY CENTER		
17-010-449.00	24 FT FLY TIP		
17-010-460.00	FLY BASE & CENTER STORAGE BRACKETS		
17-010-463.00	HYDRAULIC FLY BASE ASSY		
17-011-004.00	HOSE REEL ASSY		
17-011-005.00	HYD OFFSET FLY CYLINDER ASSY		
17-011-006.00	FLY EXTENSION PLUMBING		
17-011-007.00	FLY EXTENSION WITH SHEAVE PLUMBING		
17-011-009.00	HYD OFFSET FLY PLUMBING		
18	SPECIAL ATTACHMENTS		
*****			
18-004-135.00	12 TON SWIVEL HOOKBALL		
18-004-136.00	80 TON 5 SHV HOOK BLOCK		
18-004-139.00	HOOK BLOCK TIE DOWN CABLE INSTALLATION		
18-007-259.00	ATTACHMENT ATB SWITCH ASSY		
18-007-261.00	ATB SWITCH ASSY		
18-007-262.00	ATB WEIGHT ASSY		
18-007-269.00	BOOM LENGTH & ATB REEL ASSY		
18-009-914.00	LABELS		

Carrier Mirror Installation



# Parts List

0102

Carrier Mirror Installation				
REF	PART NO.	QTY	DESCRIPTION	REMARKS
1	53A0455	4	Mirror	
2	J7A0568	1	Bracket, Mirror	
	126009014	4	Capscrew	
	128003004	8	Washer	
	46L0026	12	Washer, Nylon	
3	J7A0576	4	Knob, Clamping	
4	128003002	4	Washer	

Towing Shackles

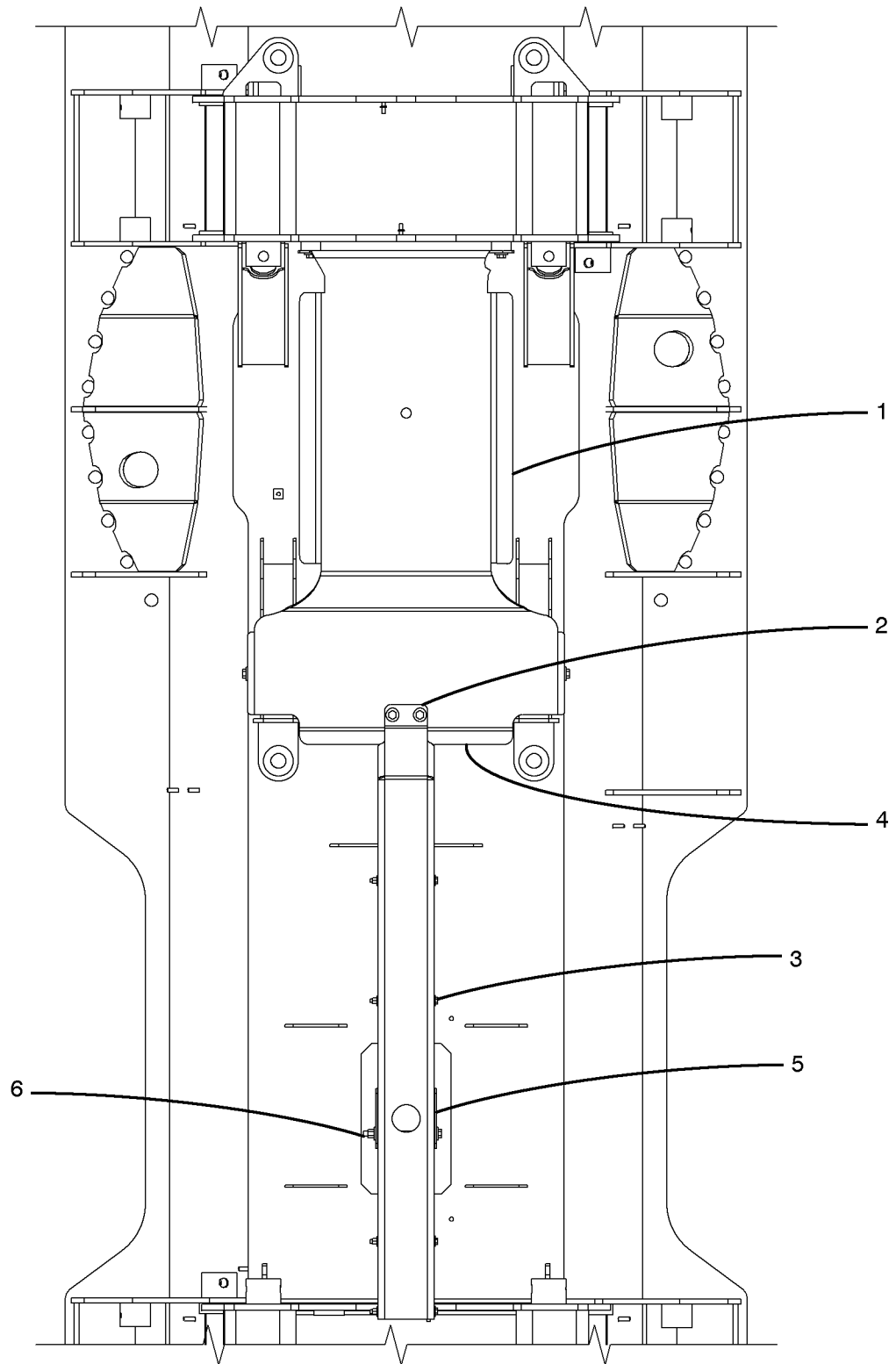
**No Illustration Required**

# Parts List

0102

Towing Shackles				
REF	PART NO.	QTY	DESCRIPTION	REMARKS
	28A0204	2	Anchor, Shackle	

Skid Plate Installation



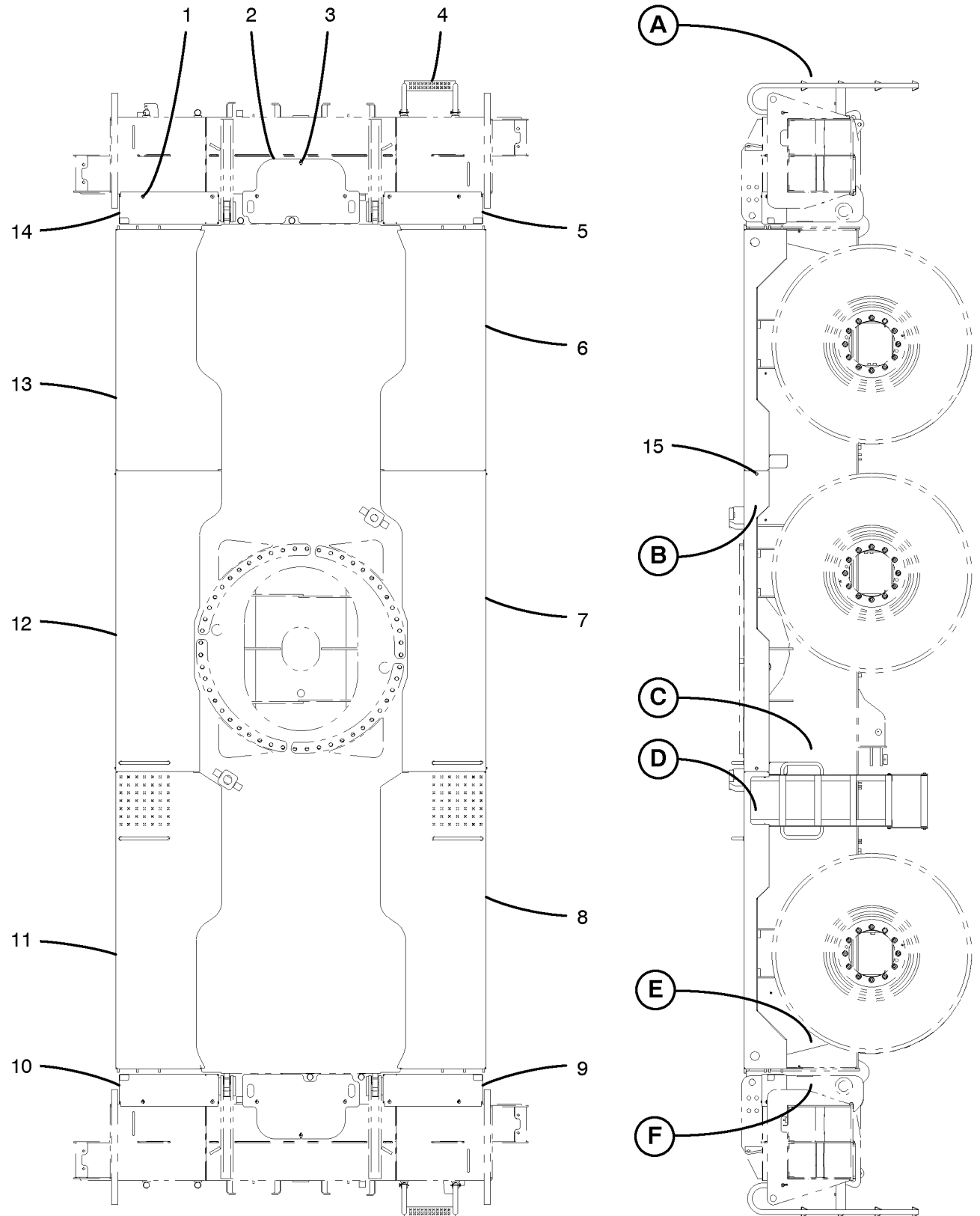


# Parts List

0102

Skid Plate Installation				
REF	PART NO.	QTY	DESCRIPTION	REMARKS
1	J7A0604	1	Plate, Skid	
	126009026	4	Capscrew	
	128003006	4	Washer	
2	J7A0643	1	Plate, Skid	
	126009028	2	Capscrew	
	128003006	4	Washer	
	127004005	2	Locknut	
3	126009114	4	Capscrew	
	128003004	8	Washer	
	127004003	4	Locknut	
4	824025005	1	Trim – 18"	
5	J7A0642	1	Bracket	
	126009026	2	Capscrew	
	128003006	2	Washer	
6	126009116	1	Capscrew	
	128003006	2	Washer	
	127004005	1	Locknut	

Sheet Metal Installation

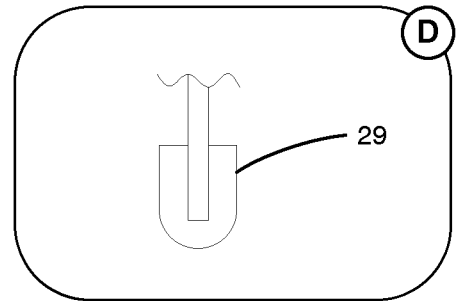
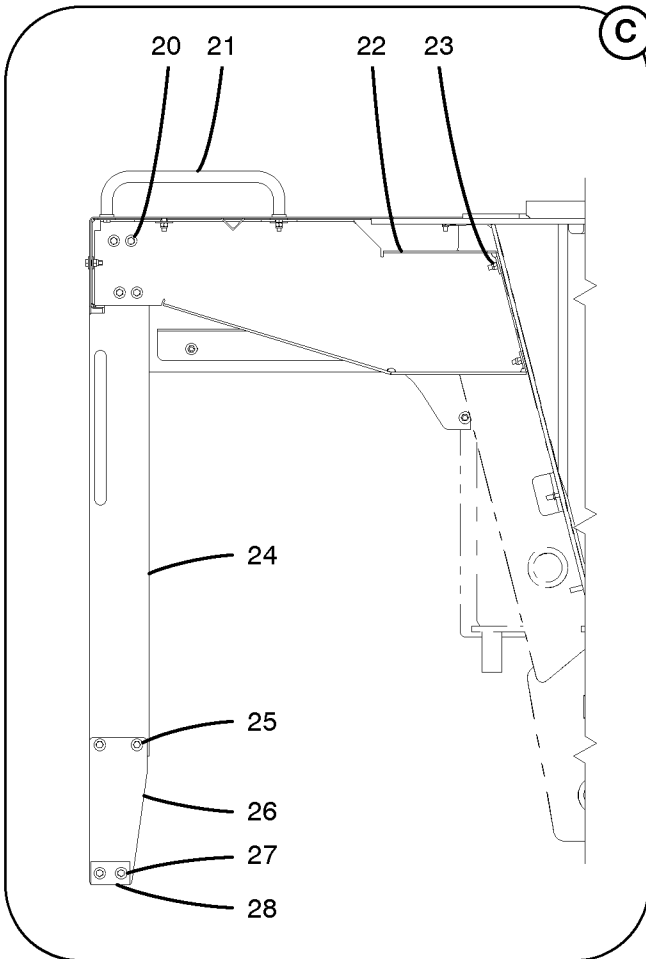
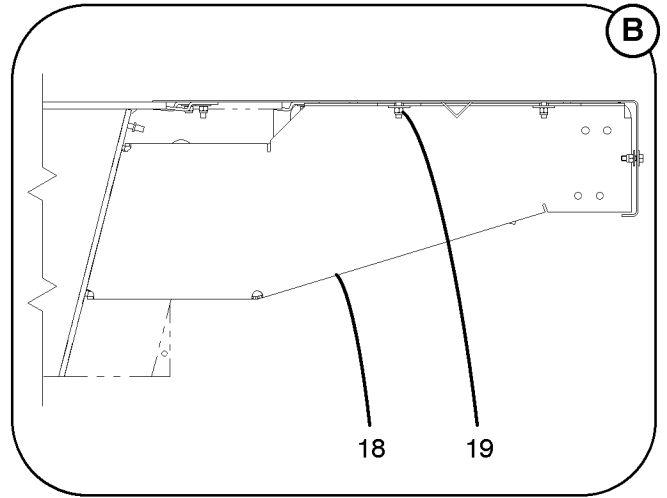
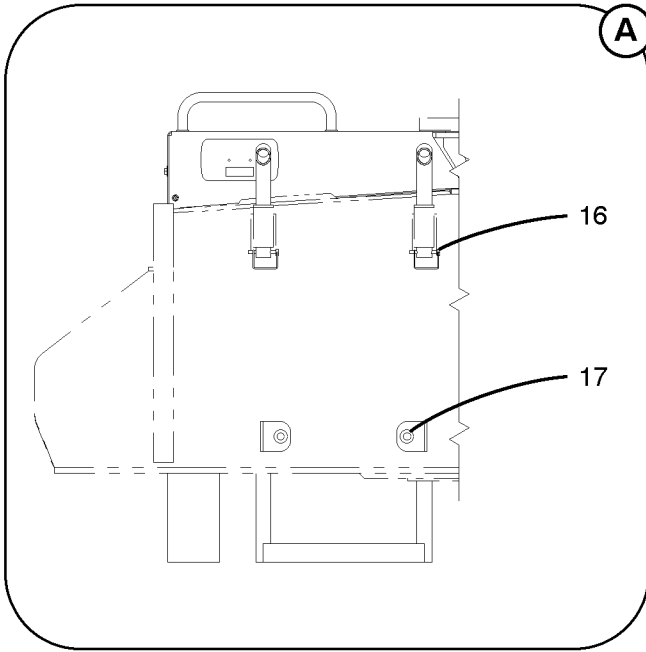


# Parts List

0708

Sheet Metal Installation				
REF	PART NO.	QTY	DESCRIPTION	REMARKS
1	F6A0076	8	Screw	
	128003004	8	Washer	
	65A0568	8	Retainer, Nut	
2	J7A0675	2	Cover	KA
3	F6A0076	6	Screw	
	128003004	6	Washer	
	65A0568	6	Retainer, Nut	
4	R3A0043	2	Ladder	KA
5	J7A0624	1	Cover	KA
6	J7A0711	1	Fender, Left Rear	KA
7	J7A0657	1	Fender, Left Center	KA
8	J7A0655	1	Fender, Left Front	KA
9	J7A0623	1	Cover	KA
10	J7A0624	1	Cover	KA
11	J7A0649	1	Fender, Right Front	KA
12	J7A0651	1	Fender, Right Center	KA
13	J7A0714	1	Fender, Right Rear	KA
14	J7A0623	1	Cover	KA
15	126009014	4	Capscrew	
	128003004	8	Washer	
	127004003	4	Locknut	

Sheet Metal Installation

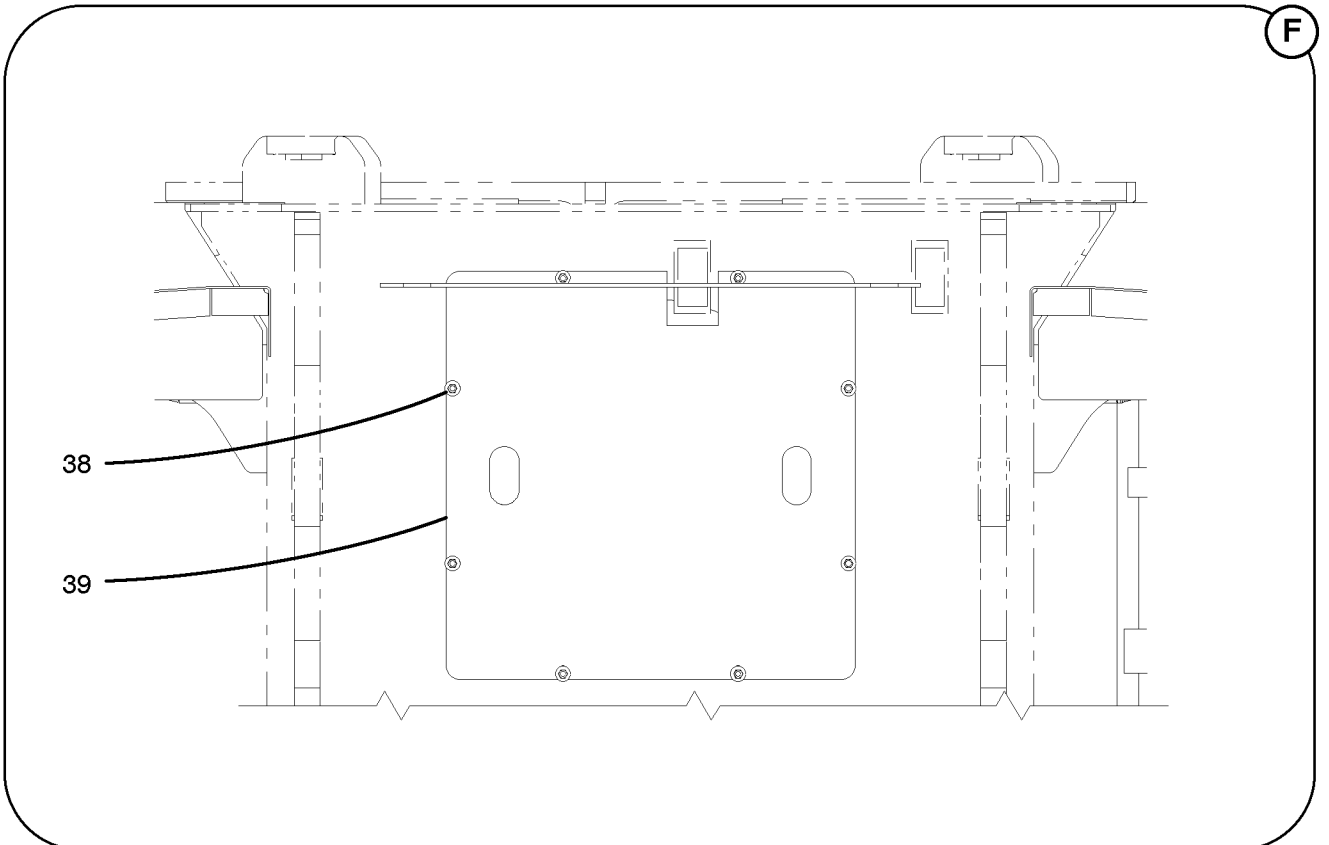
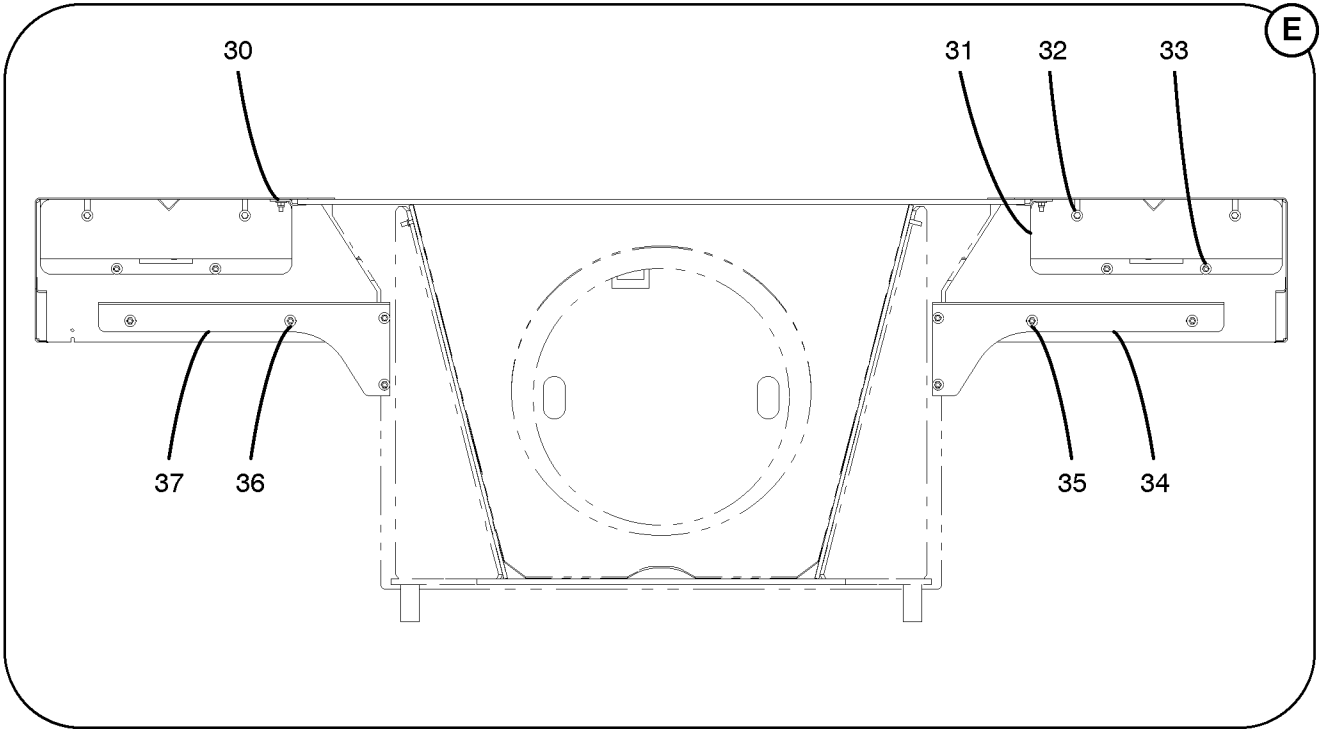


# Parts List

0708

Sheet Metal Installation				
REF	PART NO.	QTY	DESCRIPTION	REMARKS
16	18M0273	4	Pin, Lock	
17	D6N0093	4	Grommet	
18	J7A0622	2	Bracket, Fender Support	KA
19	F7A0658	8	Washer	
	127004003	8	Locknut	
20	126009014	16	Capscrew	
	128003004	32	Washer	
	127004003	16	Locknut	
21	J7A0336	4	Handle, Grab	
	126009014	8	Capscrew	
	F7A0658	8	Washer	
22	J7A0621	2	Bracket, Fender Support	KA
23	F7A0658	8	Washer	
	127004003	8	Locknut	
24	R3A0038	2	Ladder	KA
25	126009014	8	Capscrew	
	128003004	16	Washer	
	127004003	8	Locknut	
	R3A0042	2	Lower Step Assy	
26	R3A0039	2	Rail, Side	
27	R3A0041	2	Plate	
	126009014	4	Capscrew	
	128003004	8	Washer	
	127004003	4	Locknut	
28	R3A0040	1	Step	
29	824025005	2	Trim – 4.31'	

Sheet Metal Installation

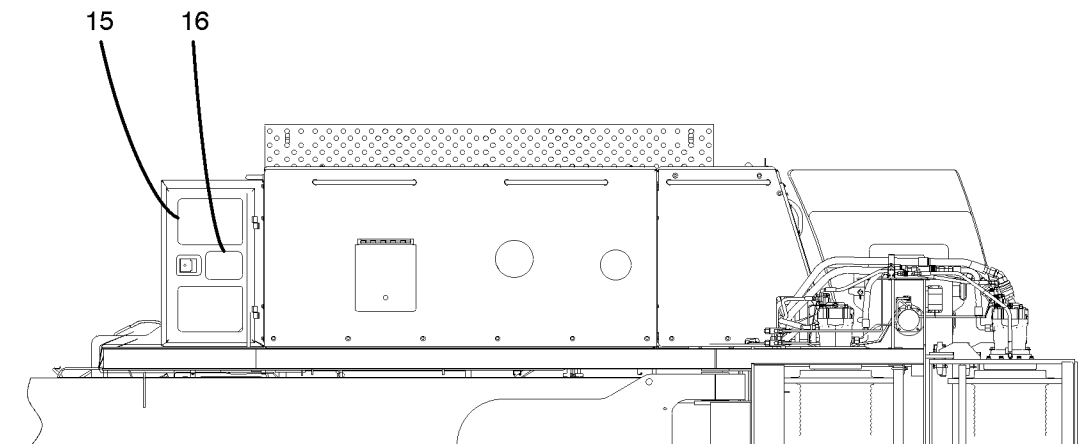
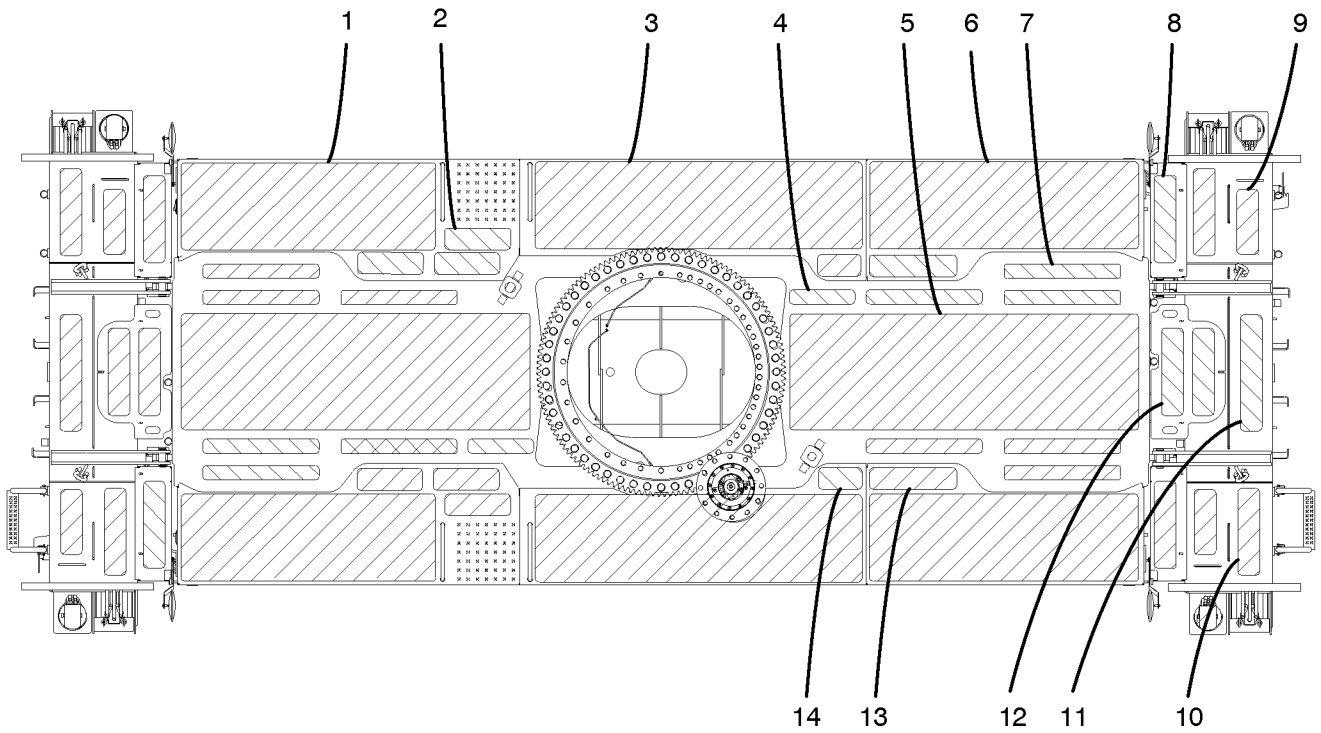


# Parts List

0708

Sheet Metal Installation				
REF	PART NO.	QTY	DESCRIPTION	REMARKS
30	R3A0047	22	Support, Fender	
	128003004	22	Washer	
	127004003	22	Locknut	
31	J7A0627	4	Sheet	KA
32	126009014	8	Capscrew	
	128003004	8	Washer	
	65A0568	8	Retainer, Nut	
33	128003004	8	Washer	
	127004003	8	Locknut	
34	J7A0625	2	Bracket, Fender Support	KA
35	128003004	8	Washer	
	127004003	8	Locknut	
36	128003004	8	Washer	
	127004003	8	Locknut	
37	J7A0626	2	Bracket, Fender Support	KA
38	128003004	16	Washer	
	127004003	16	Locknut	
39	J7A0430	2	Cover	KA
	R3A0044	1	Kit, Carrier Sheet Metal – All Items Marked KA	

Sand Strip Installation



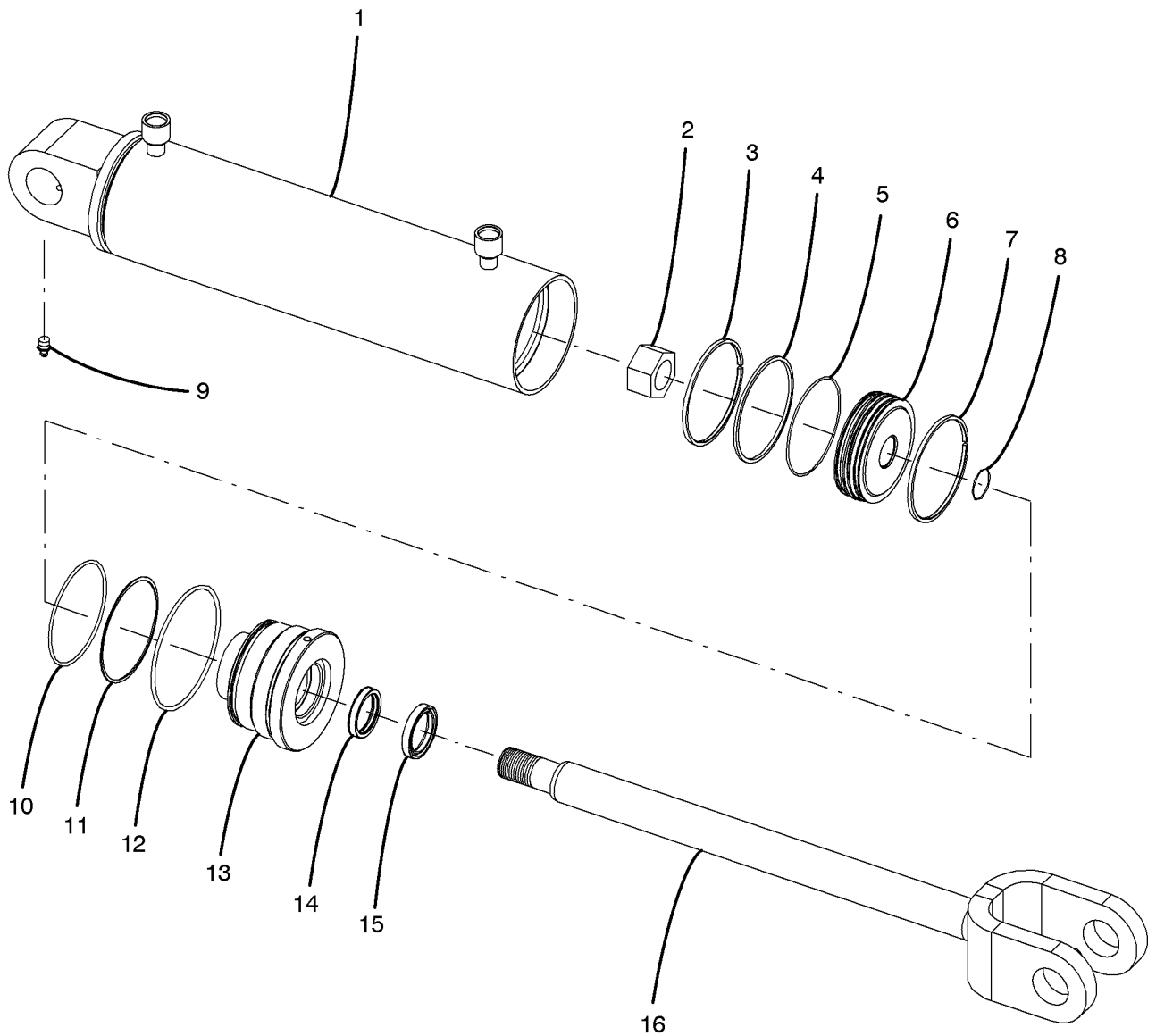


# Parts List

0210

Sand Strip Installation				
REF	PART NO.	QTY	DESCRIPTION	REMARKS
1	850040014	2	Walk, Safety – 5.83'	
2	850040013	6	Walk, Safety	
3	850040014	2	Walk, Safety – 7.5'	
4	850040012	2	Walk, Safety	
5	850040015	2	Walk, Safety – 7.92'	
6	850040014	2	Walk, Safety – 6.17'	
7	850040011	12	Walk, Safety	
8	850040005	4	Walk, Safety	
9	850040013	4	Walk, Safety	
10	850040005	4	Walk, Safety	
11	D6P0094	2	Strip, Sand	
12	850040005	4	Walk, Safety	
13	850040005	2	Walk, Safety	
14	KHP0026	2	Tape, No-Slip	
15	KHP0849	2	Tape, No-Slip	
16	KHP0403	1	Tape, No-Slip	

Steer Cylinder Assy

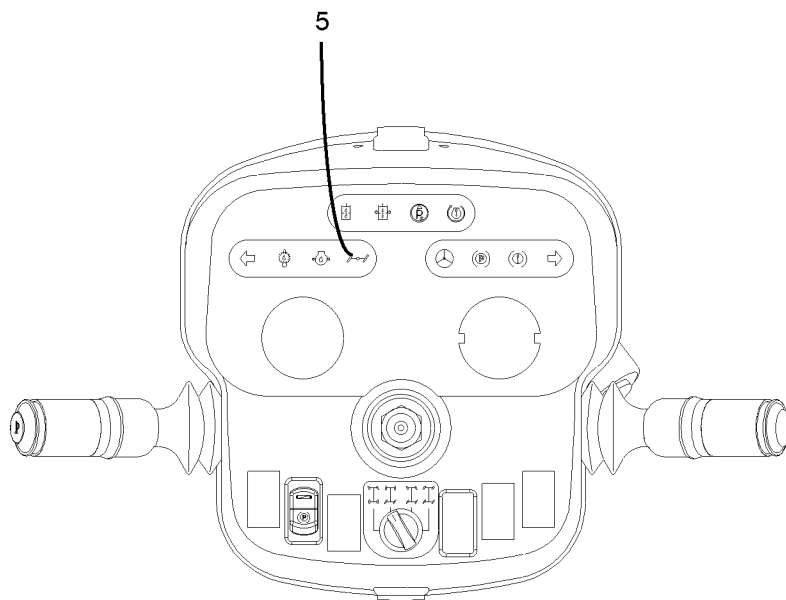
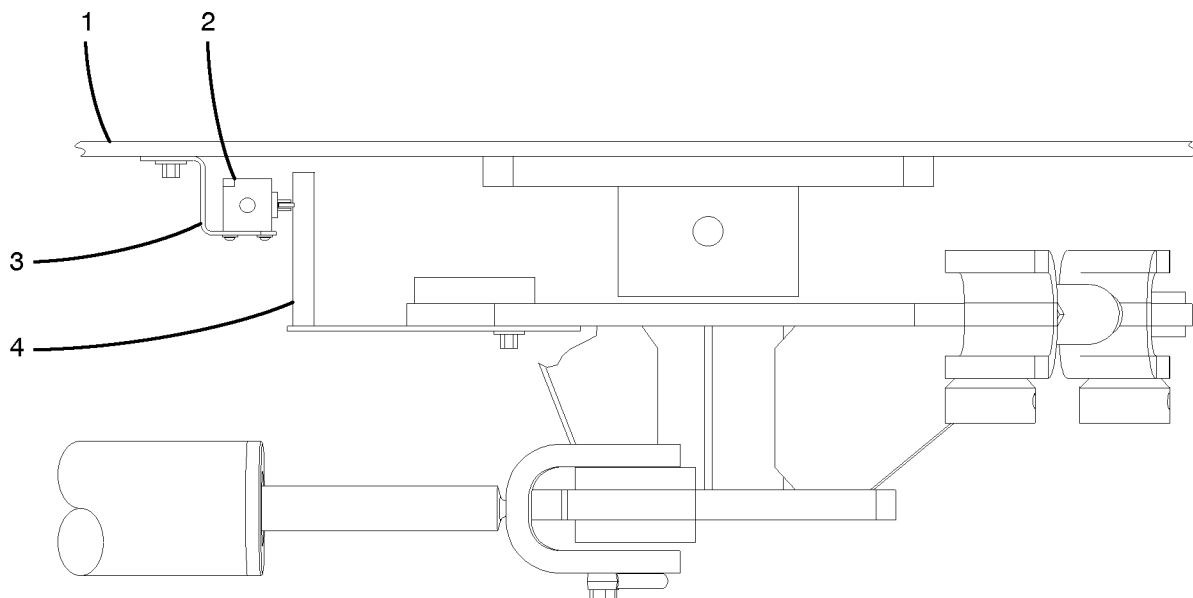


# Parts List

0501

Steer Cylinder Assy				
REF	PART NO.	QTY	DESCRIPTION	REMARKS
	J7J0315	1	Steer Cylinder Assy	
1	J7J0316	1	Case	
2	J6J0108	1	Locknut	
3	J7J0324	1	Ring, Wear	KA
4	F7J0267	1	Ring, Piston	KA
5	1X 8029	1	O-ring	KA
6	J7J0323	1	Piston	
7	J7J0324	1	Ring, Wear	KA
8	1X 7519	1	O-ring	KA
9	1X 0812	1	Fitting, Grease	
10	46J0023	1	O-ring	KA
11	F7J0223	1	Ring, Back Up	KA
12	1X 8030	1	O-ring	KA
13	F7J0234	1	Head	
14	F7J0235	1	Seal, Rod	KA
15	D6J0305	1	Wiper, Rod	KA
16	J7J0317	1	Rod	
	3J 15811	1	Kit, Seal – All Items Marked KA	

## Rear Steer Indicator Installation



Steering Column