

# Lamborghini Murcielago Sv Lp 670 4 Spare Parts 2010

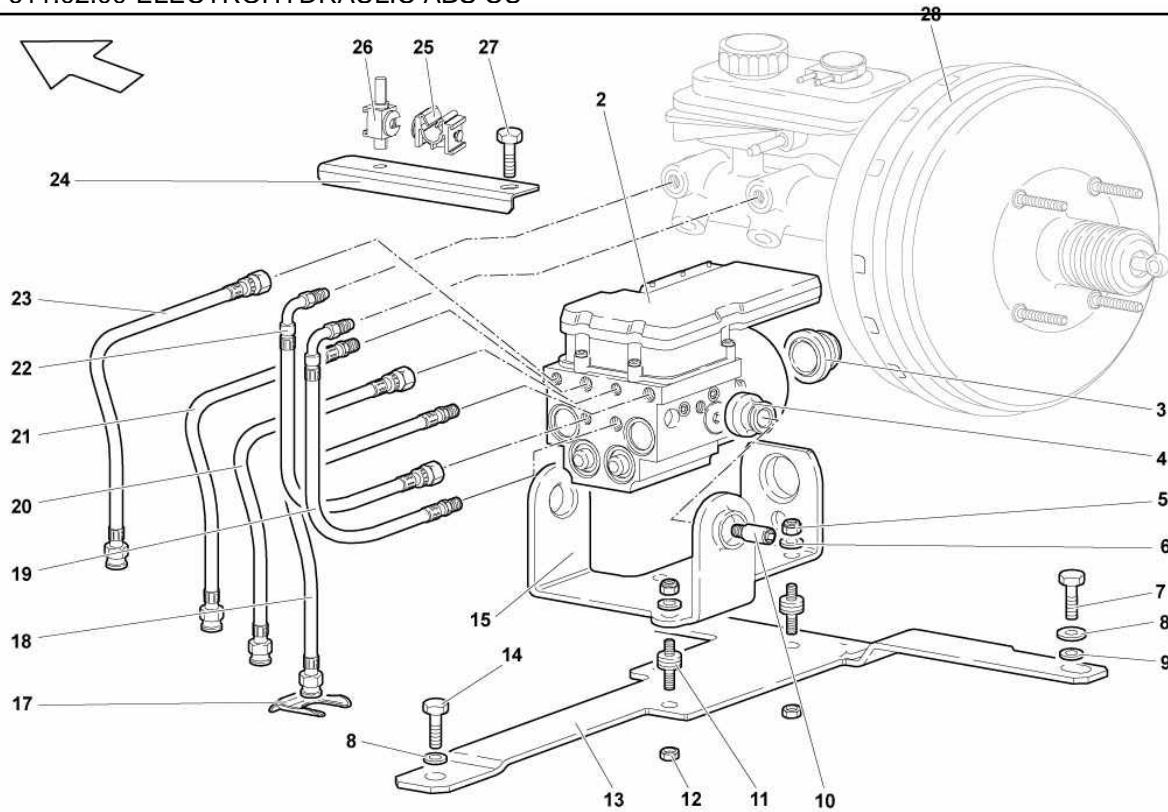
Full download: <http://manualplace.com/download/lamborghini-murcielago-sv-lp-670-4-spare-parts-2010/>

Model : Spare Parts MURCIELAGO SV LP 670-4 Market: USA MY 2010



Group : 611-BRAKE SYSTEM

Table : 611.02.00-ELECTROHYDRAULIC ABS CU

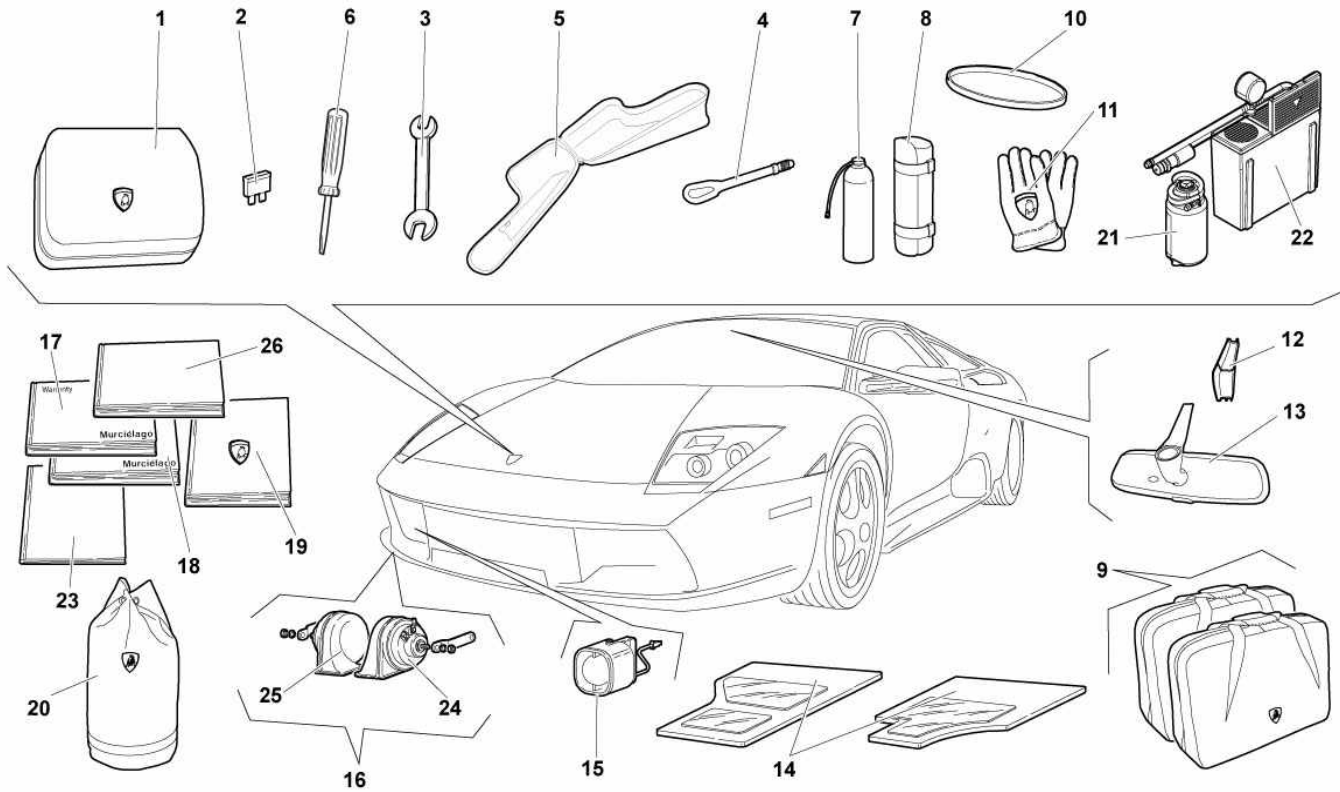


Ref.	Code	Q.ty	Description
2	410614517	1	ABS CONTROL UNIT
3	410614128	1	FLEXIBLE SUPPORT
4	410614125	2	FLEXIBLE SUPPORT
5	N 01100637	3	NUT M6
6	WHT003213	3	WASHER
7	N 10517304	2	SCREW M8X22
8	N 90179103	3	WASHER
9	N 0152785	2	WASHER
10	410614187	2	JOURNAL
11	400972081C	3	FLEXIBLE SUPPORT
12	N 01118312	3	NUT M6
13	413614138A	1	SUPPORT
14	N 10536103	1	SCREW M8X16
15	410614143A	1	BRACKET
17	191611715	1	PLATE
18	413611761C	1	LEFT FRONT FLEXIBLE HOSE
19	413614739B	1	HOSE
20	413611762B	1	RIGHT FRONT FLEXIBLE HOSE
21	413611763C	1	LEFT REAR FLEXIBLE HOSE
22	413614740B	1	HOSE
23	413611764C	1	RIGHT REAR FLEXIBLE HOSE
24			SUPPORT (FOR RHD VERSIONS)
25			CLAMP (FOR RHD VERSIONS)
26			CLAMP (FOR RHD VERSIONS)
27			SCREW M6X12 (FOR RHD VERSIONS)
28			POWER BRAKE (SEE TABLE 611.03.00)

Model : Spare Parts MURCIELAGO SV LP 670-4 Market: USA MY 2010

Group : 012-ACCESSORIES

Table : 012.01.00-ACCESSORIES



Ref.	Code	Q.ty	Description
1	410012115C	1	EMPTY TOOLKIT
2	N 01713118	1	7,5 A FUSE
2	N 01713111	1	10 A FUSE
2	N 01713112	1	15 A FUSE
2	N 01713113	1	20 A FUSE
2	N 01713114	1	25 A FUSE
2	N 01713115	1	30 A FUSE
2	N 01713120	1	40 A FUSE
3	N 0300574	1	MONKEY WRENCH
4	400803615	1	HOOK
5			EMPTY TOOLKIT (VALID UP TO MODEL YEAR 07)
6	400012255B	1	SCREWDRIVER
7	OR1400135		TYRE-REPAIRING CYLINDER
8			CYLINDER CASING (NO LONGER AVAILABLE)
9	410860863A	1	SUITCASE SET (BLACK)
9	410860863	1	SUITCASE SET (BROWN)
10			BELT (VALID UP TO MODEL YEAR 07)
11	400012029	1	GLOVES
12	4B0857593	1	ORNAMENT
13	418857511	1	REAR VIEW MIRROR
14	429863691B	1	REMOVABLE CARPET KIT LP 670-4 (SUPPLY VIN)
15	410951605A	1	ANTITHEFT
16		1	FANFARE HORN KIT (COMPONENT SALEABLE APART ONLY - SEE REF. 24 - 25)
17	410012005AL	1	WARRANTY BOOKLET
18	418012003AT	1	OWNER'S MANUAL - ENGLISH
19	400012103	1	BRIEFCASE
20	4298606355A	1	VEHICLE COVER SET (OPTIONAL FOR HIGH REAR WING)

Model : Spare Parts MURCIELAGO SV LP 670-4 Market: USA MY 2010

Group : 012-ACCESSORIES

Table : 012.01.00-ACCESSORIES



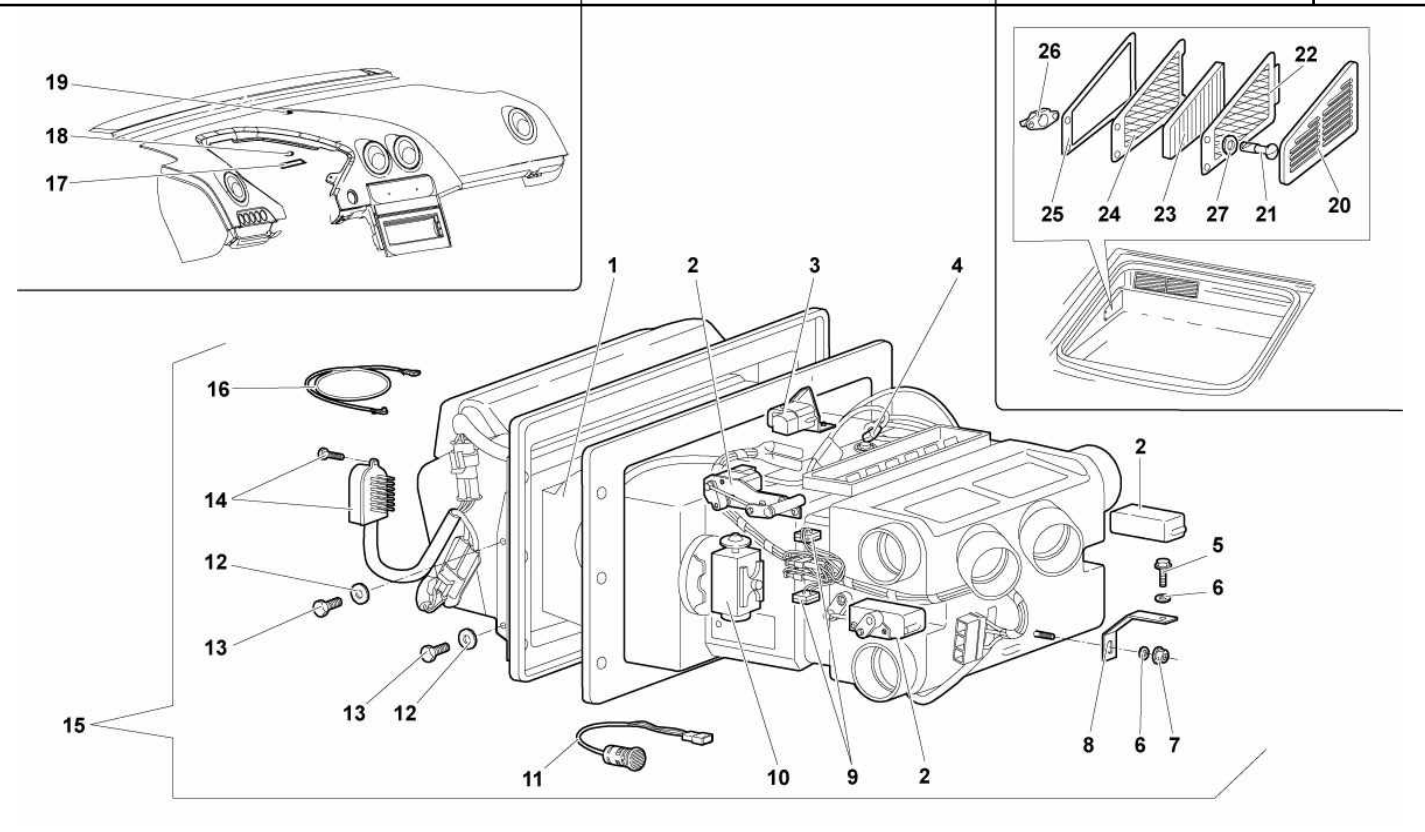
Ref.	Code	Q.ty	Description
20	429860635	1	VEHICLE COVER SET (STANDARD FOR REAR SPOILER)
21	8P0012619	1	BOTTLE, TYRE REPAIR
22	8P0012615A	1	COMPRESSOR
23			MANUAL SOFT-TOP (NOT FOR LP640 COUPÉ MODEL)
24	400951206D	1	HORN (HIGH TONE)
25	400951206C	1	HORN (LOW TONE)
26	400012008	1	ROADSIDE ASSISTANCE U.S.A. MANUAL

Model : Spare Parts MURCIELAGO SV LP 670-4 Market: USA MY 2010



Group : 820-AIR CONDITIONING SYSTEM

Table : 820.01.00-AIR CONDITIONING SYSTEM



Ref.	Code	Q.ty	Description
1	0045006734	1	ELECTRIC FAN
2	0045006737	3	ACTUATOR
3	0045006736	1	ACTUATOR
4	0045006731	1	SENSOR
5	N 90319404	1	SCREW M6X12
6	WHT002961	2	WASHER
7	N 01508213	1	NUT M6
8	410804949	1	BRACKET
9	0045006730	2	CA.0005430.C TEMPERATURE SENSOR
10	0045006735	1	VALVE
11	410820539	1	INTERNAL TEMPERATURE SENSOR
12	N 01152427	4	WASHER
13	008100501	4	SCREW
14	0045006742	1	REGULATOR
15	413820155A	1	HVAC UNIT
16	410820535	2	EXTERNAL TEMPERATURE SENSOR
17	410820200	1	0681762 SOLAR SENSOR BRACKET
18	410820530	1	RING
19	410907539	1	SENSOR
20	410806229A	1	LEFT COVERING
20	410806230A	1	RIGHT COVERING
21	410805083A	4	JOURNAL
22	410805391	1	LEFT CLOSING GRID
22	410805392	1	RIGHT CLOSING GRID
23	410820367A	2	AIR FILTER
24	410805396	1	LEFT SUPPORT
24	410805395	1	RIGHT SUPPORT
25	410805230	1	LH GASKET

Model : Spare Parts MURCIELAGO SV LP 670-4 Market: USA MY 2010

Group : 820-AIR CONDITIONING SYSTEM

Table : 820.01.00-AIR CONDITIONING SYSTEM



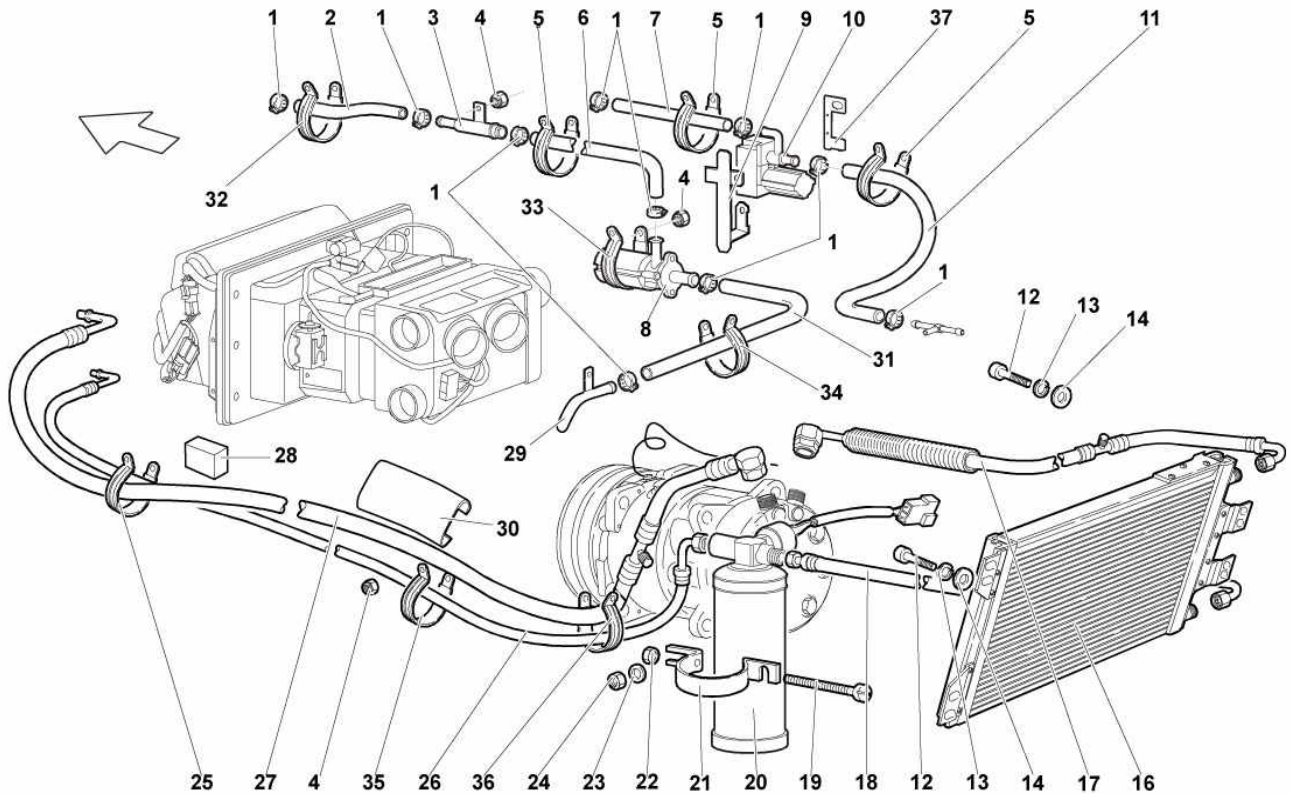
Ref.	Code	Q.ty	Description
25	410805349	1	RH GASKET
26	410805084	4	FASTENER
27	410805964	4	WASHER

Model : Spare Parts MURCIELAGO SV LP 670-4 Market: USA MY 2010



Group : 260-AIR CONDITIONING SYSTEM

Table : 260.02.00-AIR CONDITIONING SYSTEM



Ref.	Code	Q.ty	Description
1	N 90409501	10	CLAMP
2	07M121127	1	SLEEVE
3	410819377B	1	CONNECTOR
4	N 01118312	11	NUT M6
5	N 0206253	1	CLAMP
6	410819370	1	SLEEVE
7	413819371	1	SLEEVE
8	410819025	1	PUMP
9	410260761B	1	SUPPORT
10	410260155	1	SOLENOID VALVE
11	410819372	1	SLEEVE
12	N 90612002	4	SCREW M6X14
13	WHT001197A	4	WASHER
14	WHT002961	4	WASHER
16	410260401A	1	A/C CONDENSER
17	410260701A	1	PIPE
18	410260710	1	PIPE
20	410820193A	1	DEHYDRATOR FILTER
21	410820140A	1	CLAMP
22	N 0211963	1	NUT M5
23	N 90179103	2	WASHER 18X8,4X2,5
24	N 01118410	2	NUT M8
25	N 90942301	1	CLAMP
26	413260709A	1	PIPE
27	413260740A	1	PIPE
28	410817432	1	PROTECTION
29	410819159C	1	INTERMEDIATE JOINT
30	410819818	2	PROTECTION

Model : Spare Parts MURCIELAGO SV LP 670-4 Market: USA MY 2010

Group : 260-AIR CONDITIONING SYSTEM

Table : 260.02.00-AIR CONDITIONING SYSTEM

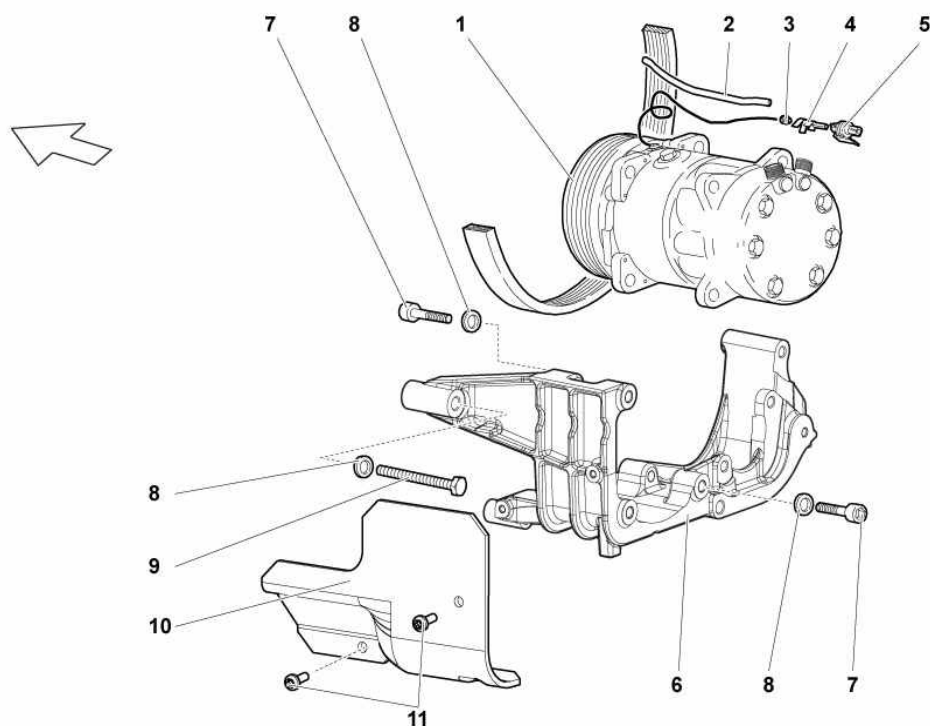


Ref.	Code	Q.ty	Description
31	410819362	1	SLEEVE
32	N 0206253	1	CLAMP
33	N 91123701	1	CLAMP
34	N 10139406	2	CLAMP
35	N 10070503	3	CLAMP
36	N 90942301	2	CLAMP
37	400326138A	1	SUPPORT

Model : Spare Parts MURCIELAGO SV LP 670-4 Market: USA MY 2010

Group : 260-AIR CONDITIONING SYSTEM

Table : 260.01.00-AIR CONDITIONING SYSTEM



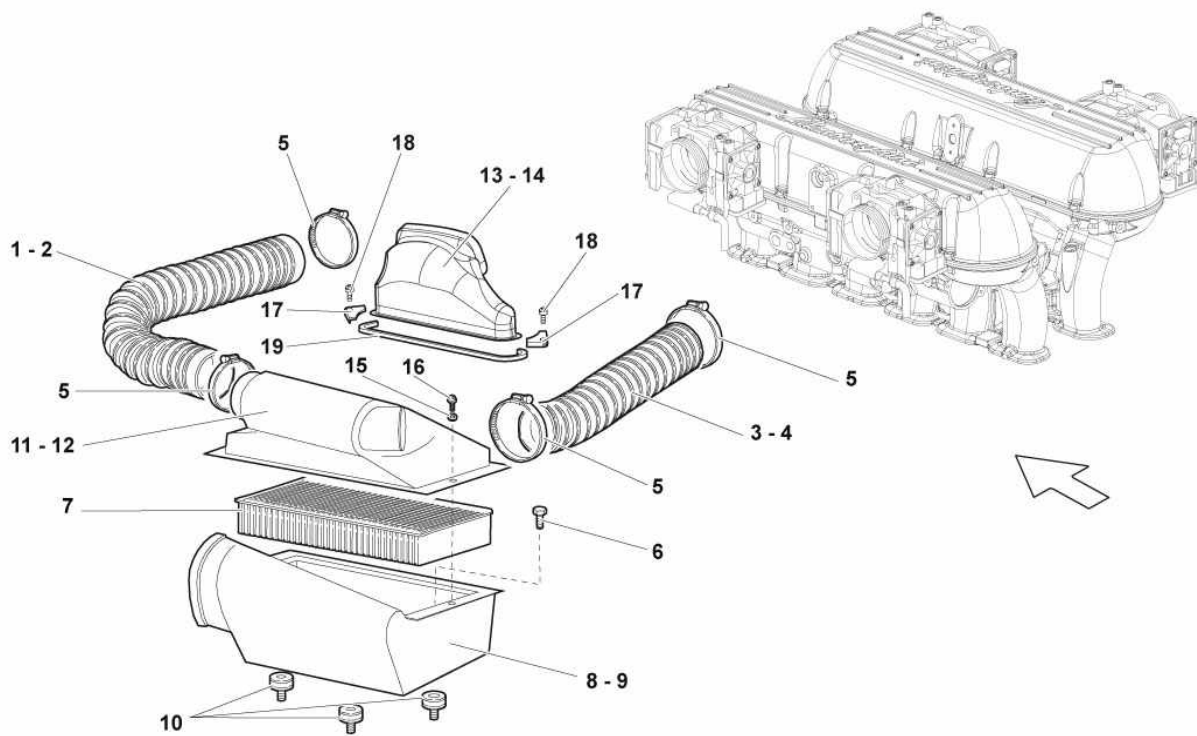
Ref.	Code	Q.ty	Description
1	410260805A	1	COMPRESSOR
2	410260193	1	SHEATH
3	410971919	1	RUBBER
4	410971996	1	TAB
5	410971833	1	CONNECTION
6	07M145169D	1	BRACKET
7	N 90941703	6	SCREW M10X45
8	N 0115609	7	WASHER
9	N 10682801	1	SCREW M10X75
10	410145325B	1	PROTECTION
11	N 10451404	3	SCREW M6X16



Model : Spare Parts MURCIELAGO SV LP 670-4 Market: USA MY 2010

Group : 133-AIR FILTER BOX

Table : 133.01.00-AIR FILTER BOX



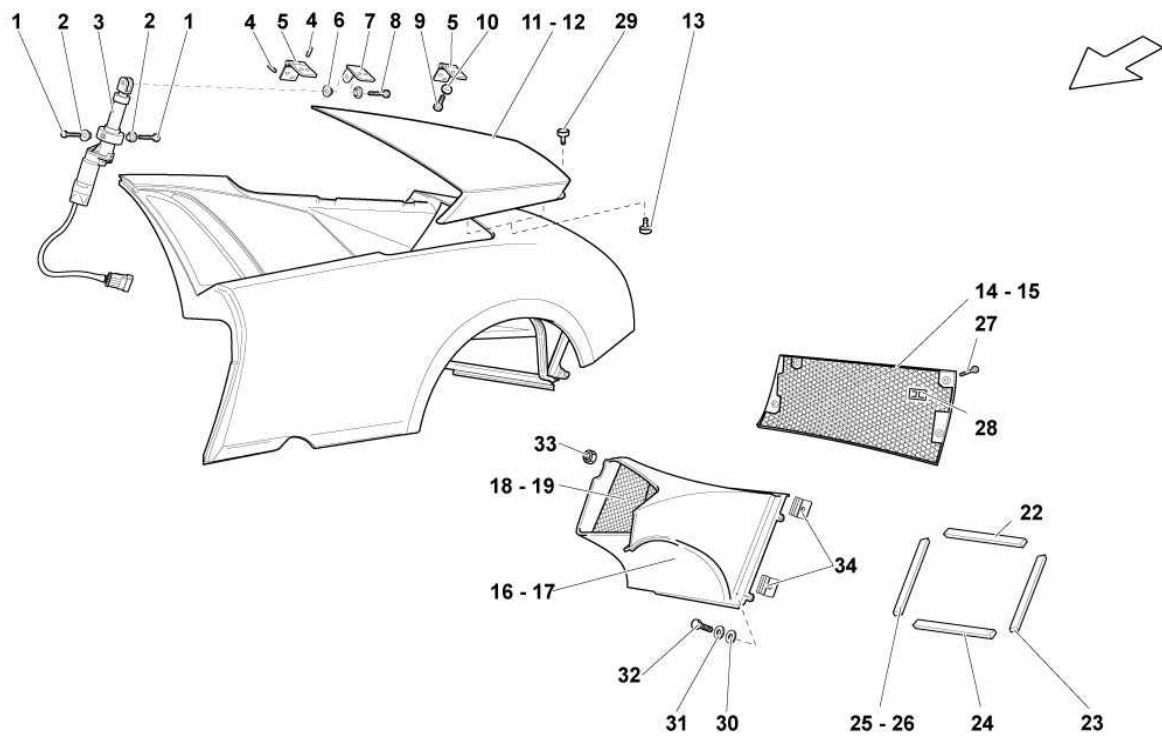
Ref.	Code	Q.ty	Description
1	07M129627	1	PIPE (LEFT)
2	07M129627	1	PIPE (RIGHT-HAND)
3	07M129627	1	PIPE (LEFT)
4	07M129627	1	PIPE (RIGHT-HAND)
5	N 0245034	8	CLAMP
6	N 0902324	6	SCREW M6X10
7	07M133843A	2	FILTERING CARTRIDGE
8	07M133837	1	LOWER LH AIR FILTER CASE
10	07L133741	6	SUPPORT
11	07M133919	1	LH COVER
12	07M133920	1	RH COVER
13		1	LH CONVEYOR (NOT FOR LP640 COUPÉ MODEL)
14		1	RH CONVEYOR (NOT FOR LP640 COUPÉ MODEL)
15	N 01166623	6	WASHER
16	WHT003074	6	SCREW (M6X22)
17			STOP (NOT FOR LP640 COUPÉ MODEL)
18			SCREW (NOT FOR LP640 COUPÉ MODEL)
19			GASKET (NOT FOR LP640 COUPÉ MODEL)

Model : Spare Parts MURCIELAGO SV LP 670-4 Market: USA MY 2010



Group : 853-SIDE MEMBERS - AIR INTAKE

Table : 853.03.00-AIR INTAKE



Ref.	Code	Q.ty	Description
1	WHT003293	2	SCREW
2	410810967	2	BUSHING
3	410901119	1	CABLED MOTOR
4	N 10073601	8	PIN 3X14
5	410814525	4	MOVABLE AIR INTAKE HINGE ASSEMBLY
6	410827547	2	BUSHING 8X14X6
7	410119185	1	BRACKET
8	410827855	1	JOURNAL
9	N 01020717	8	SCREW M5X12
10	N 10612001	8	WASHER
11	429119361	1	LEFT MOVABLE AIR INTAKE ASSEMBLY
12	429119362	1	RIGHT MOVABLE AIR INTAKE ASSEMBLY
13	410853809	2	PAWL
14	429807684	1	RIGHT REAR GRID ON BUMPERS
15	429807683	1	LEFT REAR GRID ON BUMPERS
16	410121282	1	WATER RADIATOR RIGHT CONVEYOR ASSEMBLY
17	410121281	1	WATER RADIATOR LEFT CONVEYOR ASSEMBLY
18	410121556	1	RH NET
19	410121555	1	LH NET
22	410121221D	1	LEFT GASKET TOP CONVEYOR
22	410121221A	1	RIGHT GASKET TOP CONVEYOR
23	410121221C	2	GASKET CONVEYOR
24	410121221B	2	GASKET BOTTOM CONVEYOR
25	410121221	1	GASKET LEFT CONVEYOR
26	410121221E	1	GASKET RIGHT CONVEYOR
27	N 90986803	8	SCREW 4.2X13
28	N 0154523	8	CLIP
29	410807895	3	PLUG

Model : Spare Parts MURCIELAGO SV LP 670-4 Market: USA MY 2010

Group : 853-SIDE MEMBERS - AIR INTAKE

Table : 853.03.00-AIR INTAKE



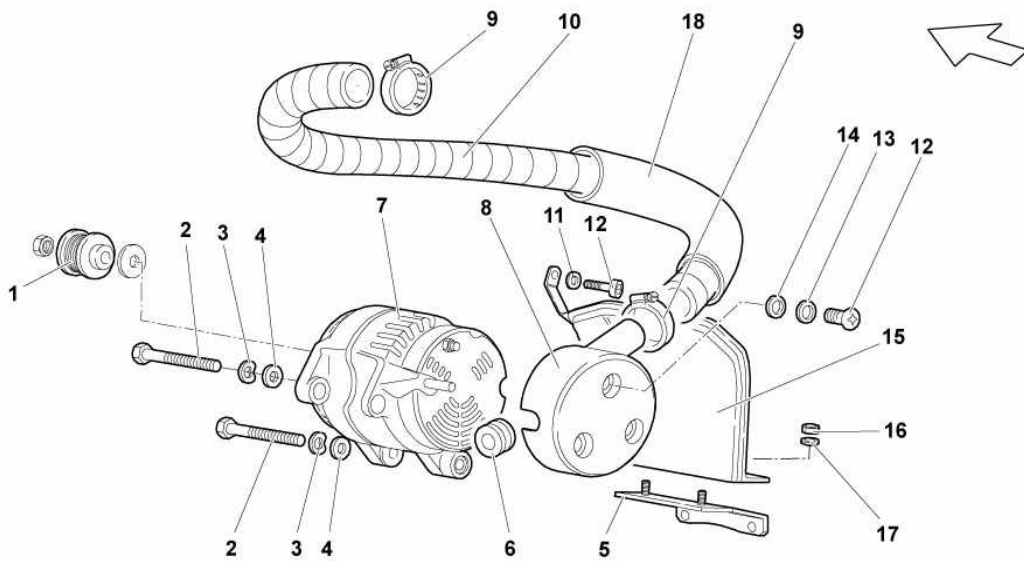
Ref.	Code	Q.ty	Description
30	WHT002961	4	WASHER
31	WHT002963	6	WASHER
32	N 90612002	6	SCREW
33	N 01508213	2	NUT M6
34			BRACKET (SEE TABLE 121.04.00 - 6 - 33)

Model : Spare Parts MURCIELAGO SV LP 670-4 Market: USA MY 2010



Group : 903-ALTERNATOR

Table : 903.01.00-ALTERNATOR

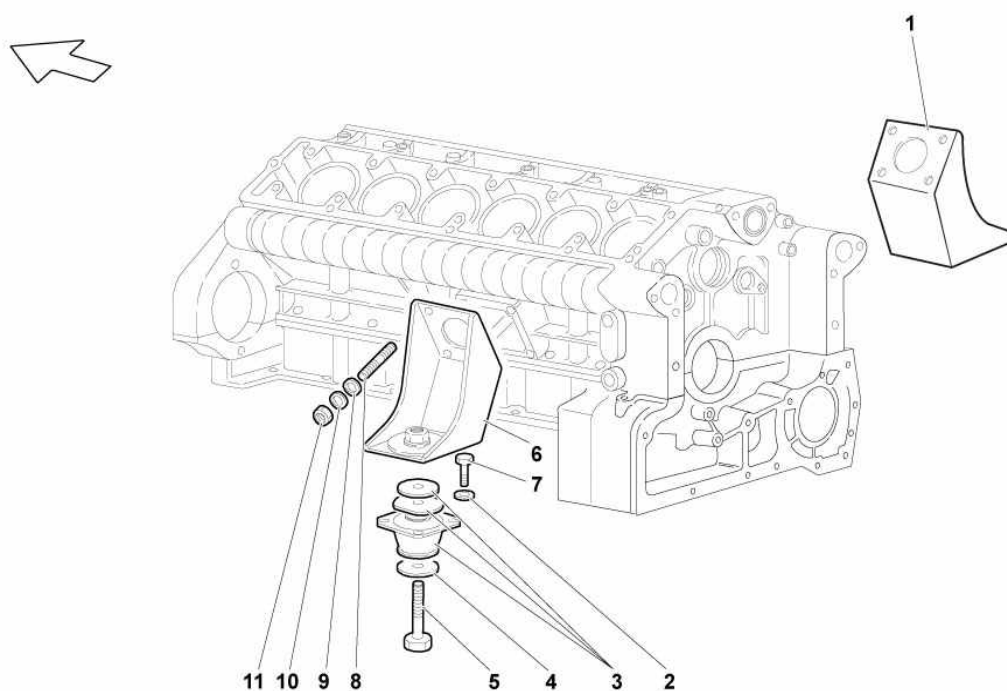


Ref.	Code	Q.ty	Description
1		1	PULLEY (VALID FOR A MODEL YEAR 07)
2	N 90707502	2	SCREW M8X100X41
3	WHT001397	2	WASHER
4	WHT000771	2	WASHER
5	07M903103A	1	BRACKET
6			FAIRLEAD (VALID FOR A MODEL YEAR 07)
7	07M903015B	1	ALTERNATOR
8	410903421A	1	CONVEYOR
9	N 0245022	2	CLAMP
10	07M903667	1	PIPE
11	WHT001514	1	WASHER
12	410903148A	3	SCREW
12	N 91143901	1	SCREW M8X16
13			WASHER (VALID FOR A MODEL YEAR 07)
14			WASHER (VALID FOR A MODEL YEAR 07)
15	07M103653A	1	PROTECTION
16	N 01508213	2	NUT
17	WHT003042	2	WASHER
18	07M903193	1	INSULATION

Model : Spare Parts MURCIELAGO SV LP 670-4 Market: USA MY 2010

Group : 199-IMPLANTATIONS WITH SUSPENSIONS

Table : 199.01.00-IMPLANTATIONS WITH SUSPENSIONS



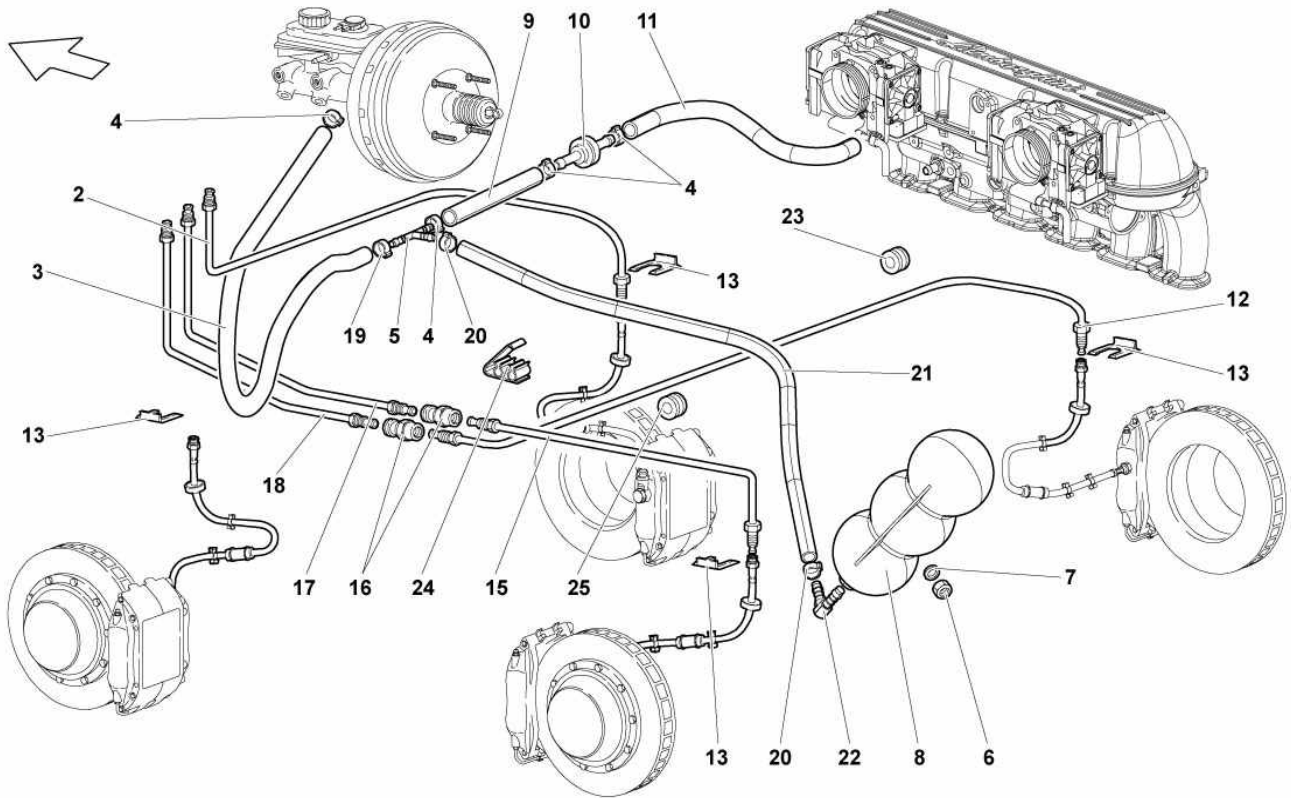
Ref.	Code	Q.ty	Description
1	410813209	1	SUPPORT
2			WASHER (VALID UP TO MODEL YEAR 07)
3	400199703A	2	FLEXIBLE SUPPORT
4	N 91089301	2	WASHER
5	WHT000776	2	SCREW M16X112
6	410813210	1	SUPPORT
7	N 90630504	8	SCREW M10X22
8	WHT003029	8	STUD BOLT M8X75
9	N 90179103	8	WASHER 18X8,4X2,5
10	WHT000771	8	WASHER
11	N 01100845	8	NUT M8X1,25X8

Model : Spare Parts MURCIELAGO SV LP 670-4 Market: USA MY 2010



Group : 611-BRAKE SYSTEM

Table : 611.01.00-BRAKE SYSTEM

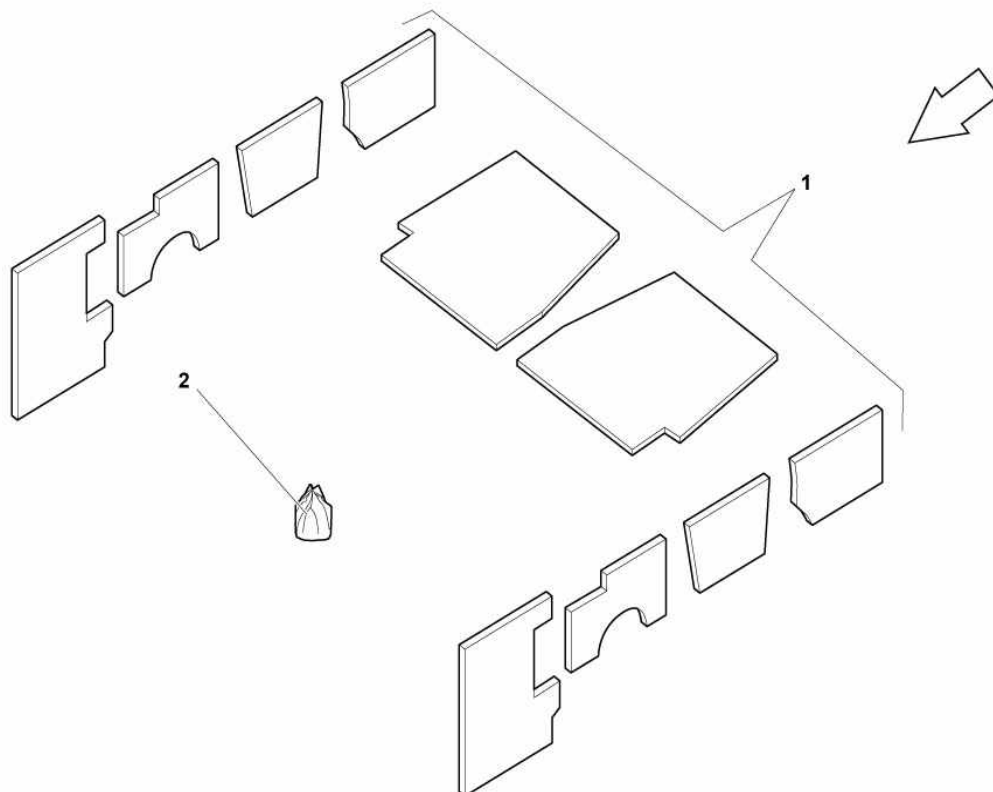


Ref.	Code	Q.ty	Description
2	410611724B	1	RIGHT PIPE
3	413611971A	1	BRAKE BOOSTER/VACUUM FLEXIBLE HOSE
4	N 10201901	4	CLAMP
5	400611921	1	CONNECTOR
6	WHT003112	2	NUT
7	WHT003040	2	WASHER
8	443131541	1	VACUUM TANK
9	401611971A	1	PIPE FROM VALVE TO VACUUM TANK
10	410616807	1	VALVE
11	410611937A	1	VACUUM MANIFOLD BRANCH PIPE
12	410611748B	1	RIGHT CALIPER FLEXIBLE/CONNECTION HOSE
13	191611715	4	PLATE
15	410611747B	1	LEFT CALIPER FLEXIBLE/CONNECTION HOSE
16	400611809	2	CONNECTOR
17	410611745B	1	LEFT CENTRAL/CONNECTION PIPE
18	410611746B	1	RIGHT CENTRAL/CONNECTION PIPE
19	N 0245097	1	CLAMP
20	400251189E	1	CLAMP
21	410611939	1	HOSE
22	400612173	1	CONNECTOR
23	400820287	1	FAIRLEAD 18,5X25X1,5
24	1H0611797	1	SUPPORT
25	410801988	1	FAIRLEAD 12X20X1,5

Model : Spare Parts MURCIELAGO SV LP 670-4 Market: USA MY 2010

Group : 863-PASSENGER COMPARTMENT TRIMS

Table : 863.04.00-COCKPIT CARPETS

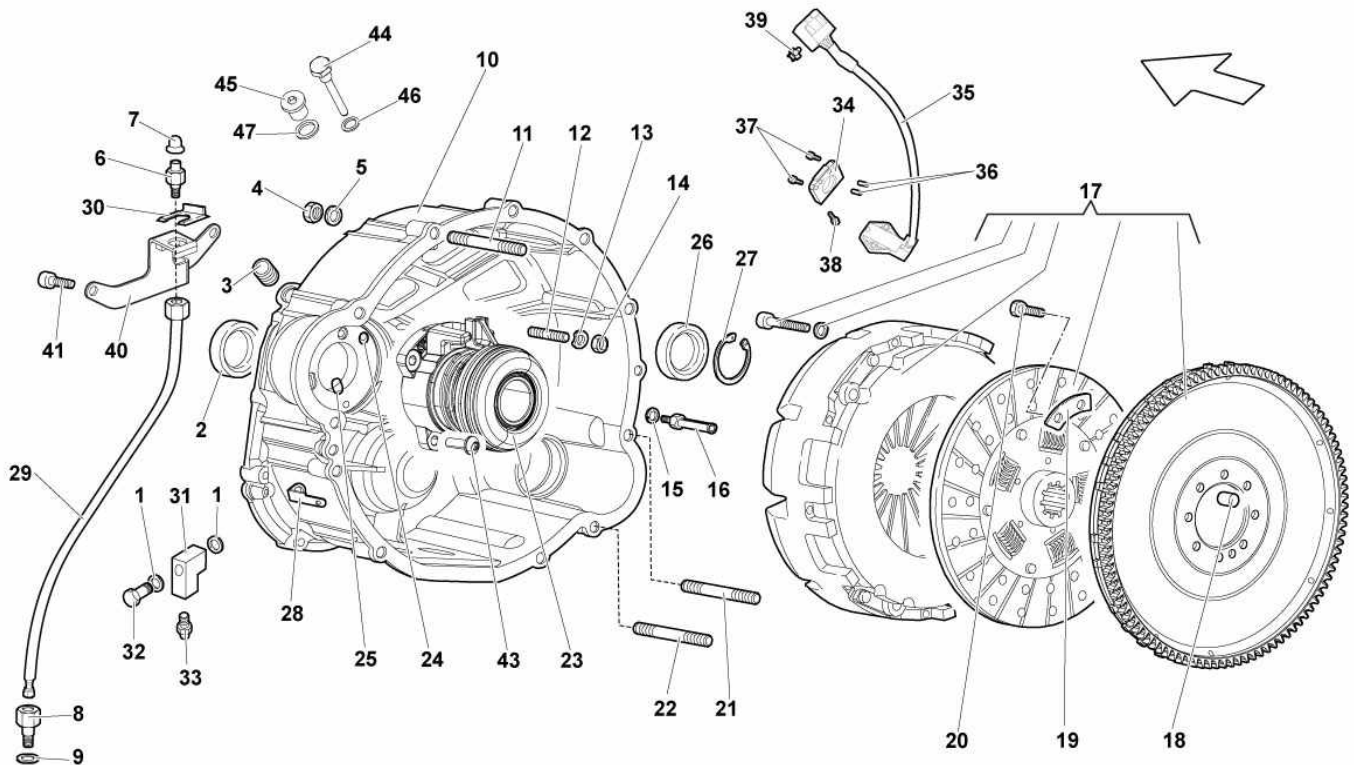


Ref.	Code	Q.ty	Description
1	418863368E	1	PASS.COMP. FLOOR MAT KIT - WITH 3 POINTS STICHING (TO ORDER TOGETHER WITH THE REF. 2 OF THE TABLE 863.04.00 - SUPPLY VIN)
1	429863368B	1	PASS.COMP. FLOOR MAT KIT - WITH 4 POINTS STICHING (TO ORDER TOGETHER WITH THE REF. 2 OF THE TABLE 863.04.00 - SUPPLY VIN)
2	418864811A	1	SELF-ADHESIVE SUPPORT KIT (TO ORDER TOGETHER WITH THE REF. 1 OF THE TABLE 863.04.00 - SUPPLY VIN)

Model : Spare Parts MURCIELAGO SV LP 670-4 Market: USA MY 2010

Group : 141-CLUTCH

Table : 141.02.00-CLUTCH (E-GEAR)



Ref.	Code	Q.ty	Description
1			WASHER (VALID UP TO MODEL YEAR 09)
2			SEAL RING (VALID UP TO MODEL YEAR 09)
3			HELI-COIL (VALID UP TO MODEL YEAR 09)
4	N 01100845	10	NUT
5	WHT000771	16	WASHER
6	1J0615273	1	BLEEDER SCREW
7	086301147	1	BOOT
8	086323173C	1	CONNECTOR
9	WHT002219	1	SEAL RING
10	086323209K	1	CLUTCH HOUSING
11	WHT003027	11	STUD BOLT M8X35
12	WHT002942	3	STUD BOLT M6X18
13	WHT003213	3	WASHER
14	N 01100637	2	NUT
15			WASHER (VALID UP TO MODEL YEAR 09)
16			ANTIROTATION BAR HOLD (VALID UP TO MODEL YEAR 09)
17	07M105269	1	BALANCED MECHANISM CLUTCH
18	WHT003078	1	DOWEL
19	410141179	4	PLATE
20	WHT002951	8	SCREW M8X1,25X23
21	WHT002944	2	STUD BOLT M8X50
22	WHT003166	1	STUD BOLT M8X40
23	086141671D	1	THRUST BEARING
24	WHT002218	1	SEAL RING
25	N 90111302	1	SEAL RING
26	086311819	1	SEAL RING
27	WHT003580	1	RETAINING RING
28	410911085A	1	BRACKET



Model : Spare Parts MURCIELAGO SV LP 670-4 Market: USA MY 2010

Group : 141-CLUTCH

Table : 141.02.00-CLUTCH (E-GEAR)



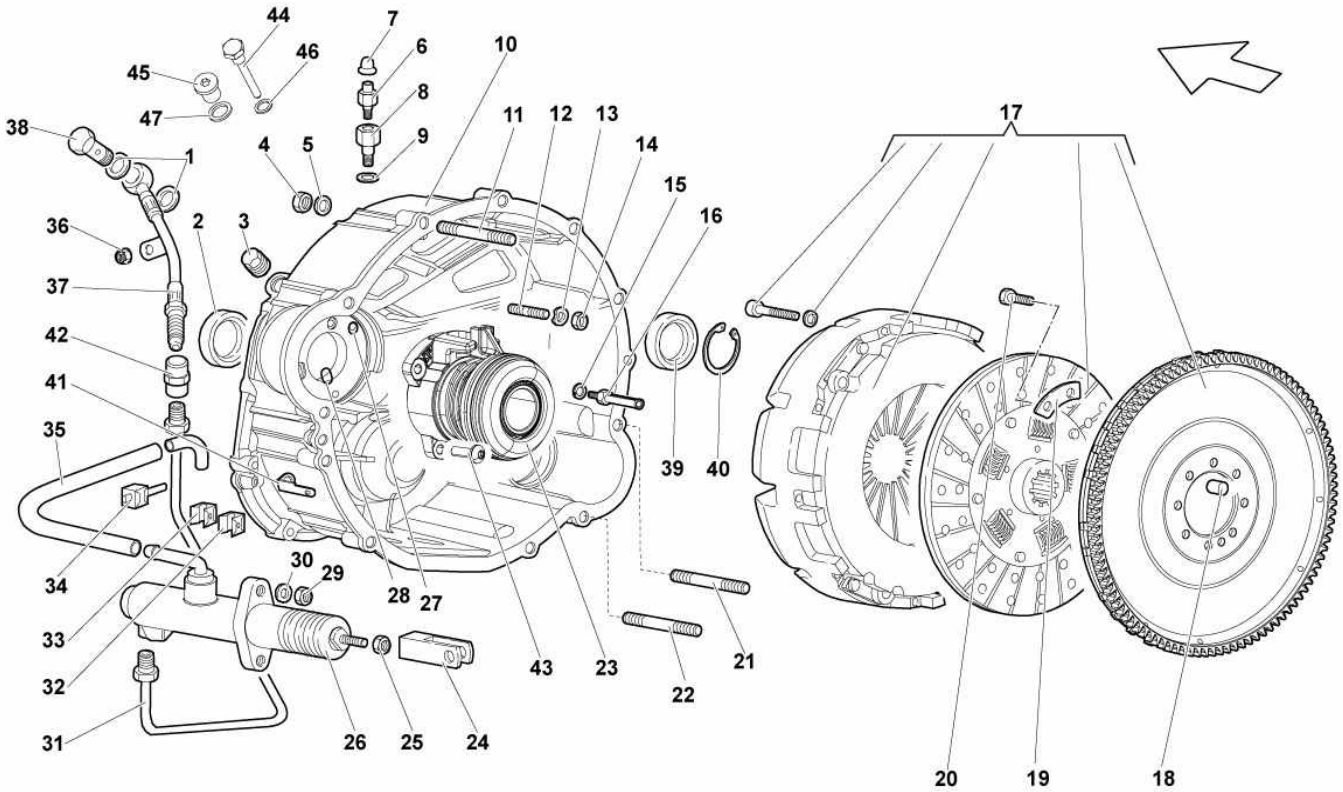
Ref.	Code	Q.ty	Description
29	086323179A	1	HOSE
30	191611715	1	PLATE
31			BLOCK (VALID UP TO MODEL YEAR 09)
32			SCREW (VALID UP TO MODEL YEAR 09)
33	086325274A	1	CONNECTOR
34	086141305	1	SUPPORT
35	086141297	1	CLUTCH SENSOR
36	N 10421101	2	PIN
37	N 10295402	2	SCREW
38	N 90659905	2	SCREW
39	410972846	2	SUPPORT
40	086323131A	1	BRACKET
41	N 91065401	2	SCREW
43	N 10124306	3	SCREW M6X20
44	086323961	1	PLUG
45	N 0160276	1	PLUG
46	N 0138302	1	WASHER
47	N 0138494	1	WASHER

Model : Spare Parts MURCIELAGO SV LP 670-4 Market: USA MY 2010



Group : 141-CLUTCH

Table : 141.01.00-CLUTCH (MANUAL)



Ref.	Code	Q.ty	Description
1	N 0138131	2	WASHER
2			SEAL RING (VALID UP TO MODEL YEAR 09)
3			HELI-COIL (VALID UP TO MODEL YEAR 09)
4	N 01100845	12	NUT
5	WHT000771	12	WASHER
6	086301138	1	BLEEDER SCREW
7	086301147	1	BOOT
8	086323173B	1	CONNECTOR
9	N 91014802	1	SEAL RING
10	086323209K	1	CLUTCH HOUSING
11	WHT003027	11	STUD BOLT M8X35
12	WHT002942	3	STUD BOLT M6X18
13	WHT003213	3	WASHER
14	N 01100637	2	NUT
15			WASHER (VALID UP TO MODEL YEAR 09)
16			ANTIROTATION BAR HOLD (VALID UP TO MODEL YEAR 09)
17	07M105269	1	BALANCED MECHANISM CLUTCH
18	WHT003078	1	DOWEL
19	410141179	4	PLATE
20	WHT002951	8	SCREW M8X1,25X23
21	WHT002944	2	STUD BOLT M8X50
22	WHT003166	1	STUD BOLT M8X40
23	086141671K	1	THRUST BEARING
24	410721213A	1	FORK
25	N 01100845	1	NUT M8X1,25X6,5
26	410721401A	1	CLUTCH PUMP
27	N 90039604	1	SEAL RING
28	N 90111301	1	SEAL RING

Model : Spare Parts MURCIELAGO SV LP 670-4 Market: USA MY 2010

Group : 141-CLUTCH

Table : 141.01.00-CLUTCH (MANUAL)



Ref.	Code	Q.ty	Description
29	N 01100845	2	NUT M8X1,25X6,5
30	N 0152785	2	WASHER
31	413721461B	1	PIPE
32	400611799	6	CLIP
33	400971848	2	CLIP
34	400611757	1	JOURNAL
35	413721465	1	PIPE
36	WHT003226	1	NUT M12X1X7
37	410721462B	1	HOSE
38	N 0210717	1	SCREW WITH HOLE
39	086311819	1	SEAL RING
40	WHT003580	1	RETAINING RING
41	410911085A	1	BRACKET
42	410721419A	1	CONNECTOR
43	N 10124306	3	SCREW M6X20
44	086323961	1	PLUG
45	N 0160276	1	PLUG
46	N 0138302	1	WASHER
47	N 0138494	1	WASHER

# Lamborghini Murcielago Sv Lp 670 4 Spare Parts 2010

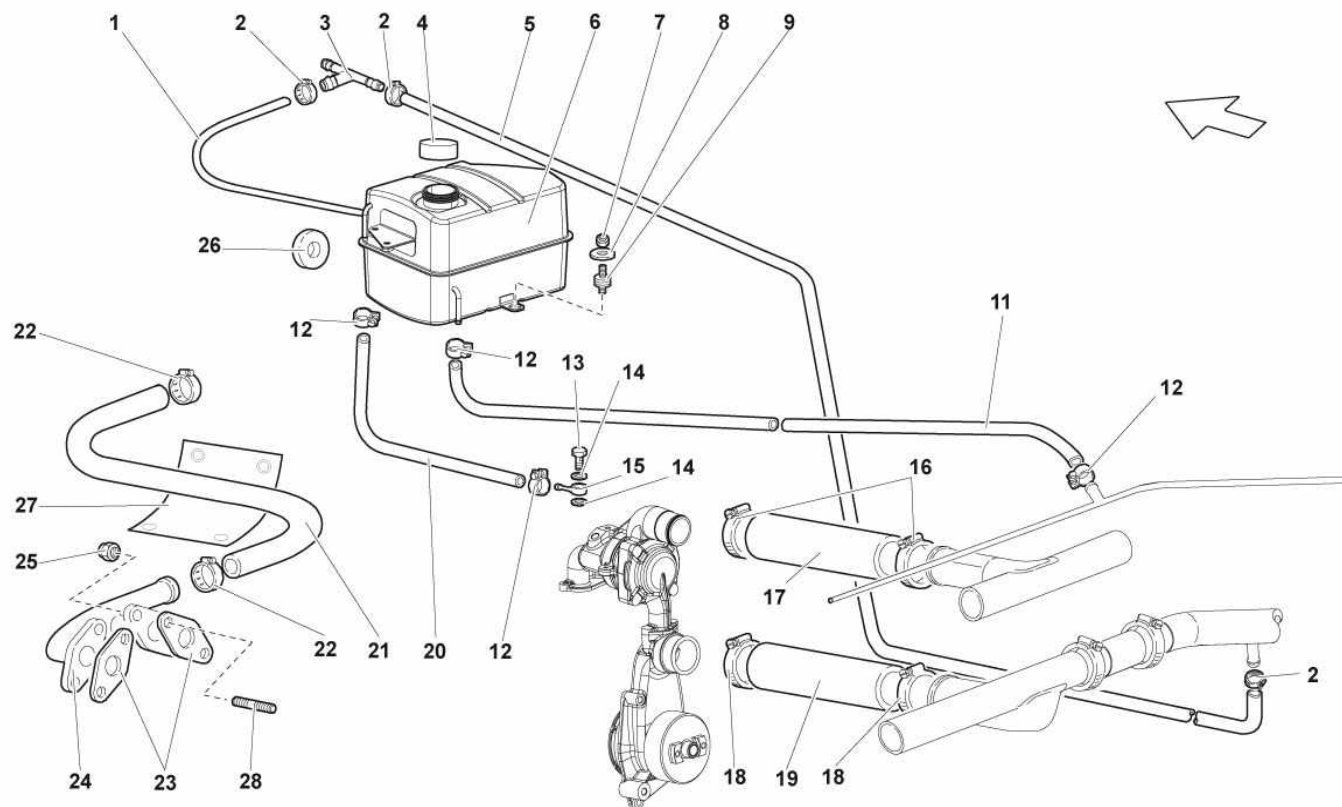
Full download: <http://manualplace.com/download/lamborghini-murcielago-sv-lp-670-4-spare-parts-2010/>

Model : Spare Parts MURCIELAGO SV LP 670-4 Market: USA MY 2010



Group : 121-WATER COOLING SYSTEM

Table : 121.02.00-WATER COOLING SYSTEM



Ref.	Code	Q.ty	Description
1	07M121109	1	PIPE
2	N 90293002	2	CLAMP
3	07M121087	1	CONNECTOR
4	07M121482	1	PLUG
5	07M121127	1	PIPE
6	07M121407B	1	TANK
7	WHT002953	1	NUT M6
8	N 91115501	1	WASHER
9	400972081B	3	PUFFER
11	07M121448	1	PIPE
12	WHT003075	4	CLAMP
13	WHT000524	1	SCREW M8
14	N 0138302	2	WASHER
15	N 91104301	1	CONNECTOR
16	008830215	2	CLAMP
17	07M121163	1	SLEEVE
18	WHT003080	2	CLAMP
19	07M121057	1	PIPE
20	07M121500	1	PIPE
21	410819370	1	PIPE
22	N 90409501	2	CLAMP
23	07M121091	2	GASKET
24	07M121076C	1	CONNECTOR
25	N 01118312	4	NUT
26	400121268	2	RUBBER BUSHING
27	8D0971461	1	PROTECTION
28	WHT002942	4	STUD BOLT M6X18