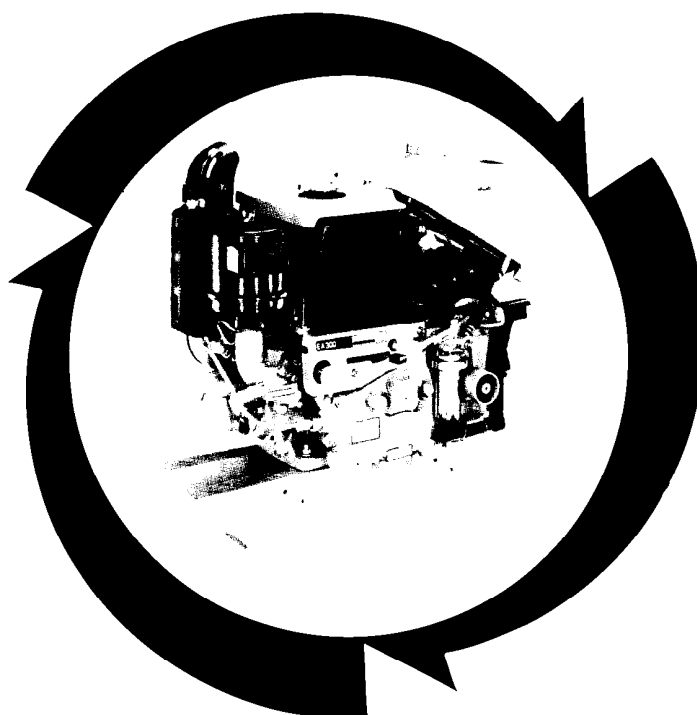


ILLUSTRATED PARTS LIST

KUBOTA

MODEL EA300-E2-NB1

DIESEL ENGINE



Кубота

97898-66920
MAR. 2005

NOTICE

This Parts List is for the following purposes.

1. When ordering parts, check with this Parts List to confirm the part number and the name of parts.
2. When making repairs, refer to the illustrations in this Parts List.
3. This Parts List is subject to change without notice.

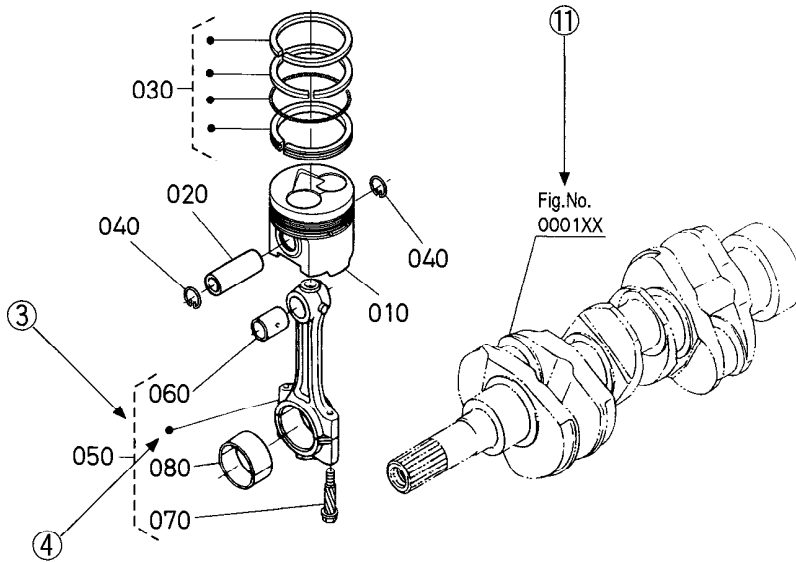
MODEL	CODE No.
EA300-E2-NB1	1G101-00000

INSTRUCTIONS

① ↓ **0102** PISTON AND CRANKSHAFT

②
↓
[B]

⑩ → S.No. ; A: ≤15000, B: 14000 to 15000



⑤ ↓ REF. No	PART No.	PART NAME	Q'TY/S.No.		I.C.	REMARKS ← ⑨
			A	B		
010	15800-0000-0	PISTON	1 ≤15000	1 ≤15000	↔	[Example-1]
010	15800-0000-2	PISTON	1 >15001	1 >15001	←	
020	15800-1000-0	PIN,PISTON	1 ≤15000	1 ≤15000	↔	[Example-2]
020	15800-1000-2	PIN,PISTON	1 >15001	1 >15001	≠	
030	15800-2000-0	ASSY PISTON RING	1 ≤15000	1 ≤15000	↔	
030	15830-2000-0	ASSY PISTON RING	1 >15001	1 >15001	↔	[Example-3]

⑥
↓
A:XXXX, B:XXXX

- ① Fig. No. Represents No. corresponding to each group name.
- ② Specifications The types and destinations of sister models are indicated. These indications are given to tell their relevant pages in this book.
(for sister models)
- ③ Components The components of an assembly are identified by a bracket of dotted lines.
- ④ Point Indicates that the parts is not sold independently.
The assembly (Ref.No.050) containing the part needs to be ordered.
- ⑤ REF. No. Reference numbers are assigned to parts in the illustration. The code number of a part in the illustration can be identified by referring to the same reference number in the parts list.
- ⑥ Model name The name of the basic model is indicated in this column. Other applicable models are indicated on the "REMARKS" column ⑨.
- ⑦ S. No. Indicates a group of serial numbers to which a design change is applied.
(serial No.)

Engine Serial No. .. Old Serial No.
654321 ... 6 digits all in numerals.

New Serial No.

Y A 4321

↑ Lower 4 digits in numerals.
↑ 5th digit ... Alphabetical letter (Month of manufacture).

Alphabetical letter	A,B	C,D	E,F	G,H	J,K	L,M	N,P	Q,R	S,T	U,V	W,X	Y,Z
Month	1	2	3	4	5	6	7	8	9	10	11	12

↑ 6th digit ... Alphabetical letter or numerals (Year of manufacture).

Alphabetical letter or numerals	W	X	Y	1	2	3	4	5	6	7	8	9	A	B	C
Year	'98	'99	2000	'01	'02	'03	'04	'05	'06	'07	'08	'09	'10	'11	'12

- ⑧ I. C. Indicates the interchangeability of parts due to design change.
(interchangeability)

Example-1 ← indicates that a new part can replace an old part, but not vice versa.
15800-0000-0 is applicable to the first serial number to S. No. 15000.
15800-0000-2 is applicable to the first serial number and above.

Example-2 ≠ indicates that the new and old parts are not interchangeable.
15800-1000-0 is applicable to the first serial number to S. No. 15000.
15800-1000-2 is applicable to S. No. 15001 and above.

Example-3 ↔ indicates that the new and old parts are interchangeable. Both 15800-2000-0 and 15830-2000-0 are applicable to the first serial number and above.
- ⑨ REMARKS 1 In this column, enter other applicable model names, dimensions and other special items. The following symbols and abbreviations are used throughout this book.
29*12.00-15 ... Tire size sq.m m² sq.mm mm²
cu.m m³ cu.mm ... mm³ D ... Diameter L Length
- ⑩ REMARKS 2 The following expressions are used in NOTE for each group.
Machines' serial numbers are indicated as follows.
<=15000 Serial number below 15000.
>=15001 Serial number above 15001.
14000 to 15000 Serial number 14000 to 15000.
For some models, the above expressions may also be used REMARKS 1 ⑨.
- ⑪ Fig. No. Indicates the numbers of figures for the parts that are shown in virtual images.
(virtual images)
A figure number with XX means that there are two or more figures depending on the sister models.