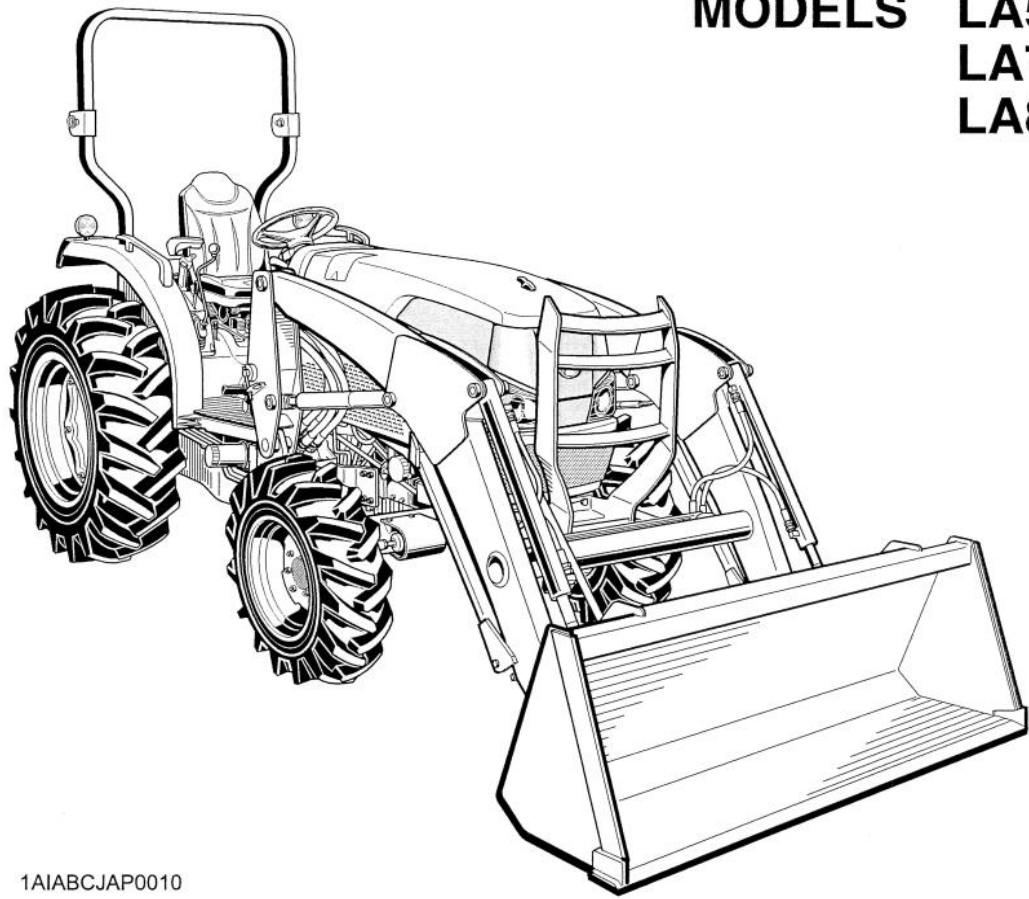


OPERATOR'S MANUAL

KUBOTA FRONT LOADER

MODELS LA514
LA724
LA854



1A1ABCJAP0010

READ AND SAVE THIS MANUAL



CONTENTS

▲ SAFE OPERATION	1
SERVICING OF LOADER	1
SPECIFICATIONS	2
SUITABLE TRACTOR	2
LOADER SPECIFICATIONS	2
BUCKET SPECIFICATIONS	3
DIMENSIONAL SPECIFICATIONS	4
OPERATIONAL SPECIFICATIONS	5
LOADER TERMINOLOGY	7
PRE-OPERATION CHECK	8
LUBRICATION	8
TRANSMISSION FLUID	8
TREAD	8
REAR BALLAST	9
Liquid ballast in rear tires	9
TIRE INFLATION	10
Inflation pressure	10
TEST OPERATION	10
4 Position bucket control valve type	11
REMOVING AIR FROM THE HYDRAULIC SYSTEM	11
DUAL REMOTE HYDRAULIC CONTROL SYSTEM	12
Control Lever and Hydraulic Hose Connections	12
Loader / Remote Control Valve Lever	12
OPERATING THE LOADER	13
FILLING THE BUCKET	13
LIFTING THE LOAD	14
CARRYING THE LOAD	14
DUMPING THE BUCKET	15
LOWERING THE BUCKET	15
OPERATING WITH FLOAT CONTROL	15
LOADING FROM A BANK	16
PEELING AND SCRAPING	16
LOADING LOW TRUCKS OR SPREADERS FROM A PILE	17
BACKFILLING	17
HANDLING LARGE HEAVY OBJECTS	18
VALVE LOCK	18
BUCKET LEVEL INDICATOR	19
FRONT REMOTE HYDRAULIC CONTROL SYSTEM (if equipped)	19
Install the Coupler	19
Control Switch	19
Remote Control Coupler Connecting and Disconnecting	20
ATTACHING IMPLEMENTS	21
DETACHING IMPLEMENTS	22

CONTENTS

DISMOUNTING THE LOADER.....	22
MAINTENANCE.....	22
ATTACHMENTS	23
Quick bucket.....	23
Bale spear.....	23
Pallet fork.....	23
ASSEMBLE PALLET FORK	24
MAINTENANCE.....	25
LUBRICATION	25
RE-TIGHTENING OF HARDWARE	25
DAILY CHECKS.....	26
EVERY 50 HOURS	26
Checking main frame bolt torque.....	26
General torque specification	27
REMOVING THE LOADER	28
STORING THE LOADER	30
REINSTALLING THE LOADER.....	31