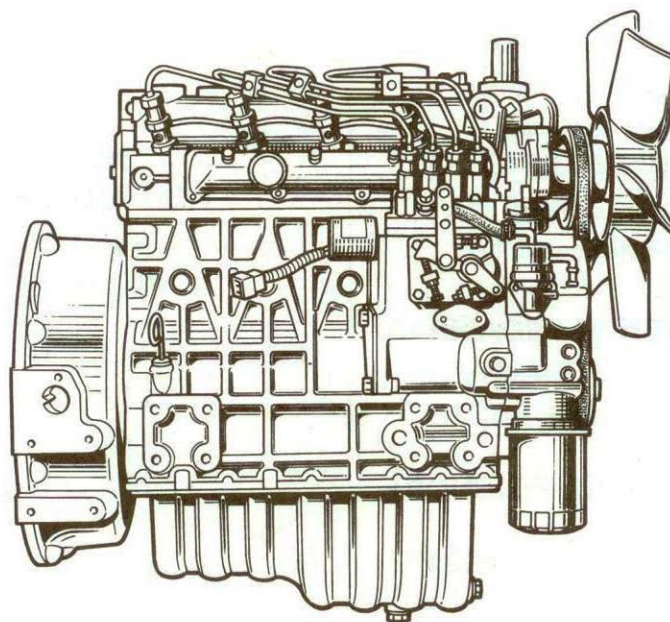


OPERATOR'S MANUAL

ENGLISH

KUBOTA DIESEL ENGINE

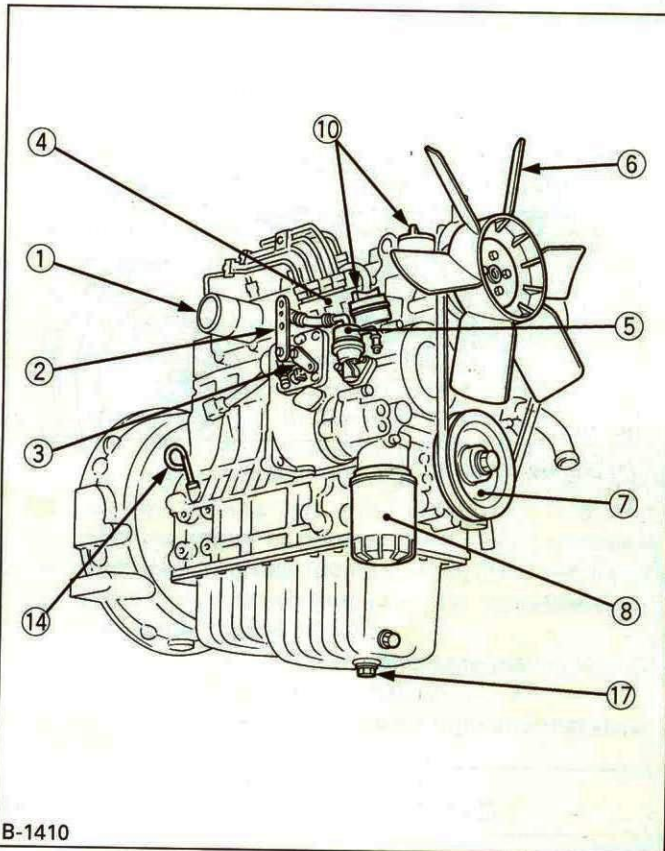
MODELS D905-EBG • D1105-EBG • V1505-EBG
D1005-EBG • V1305-EBG



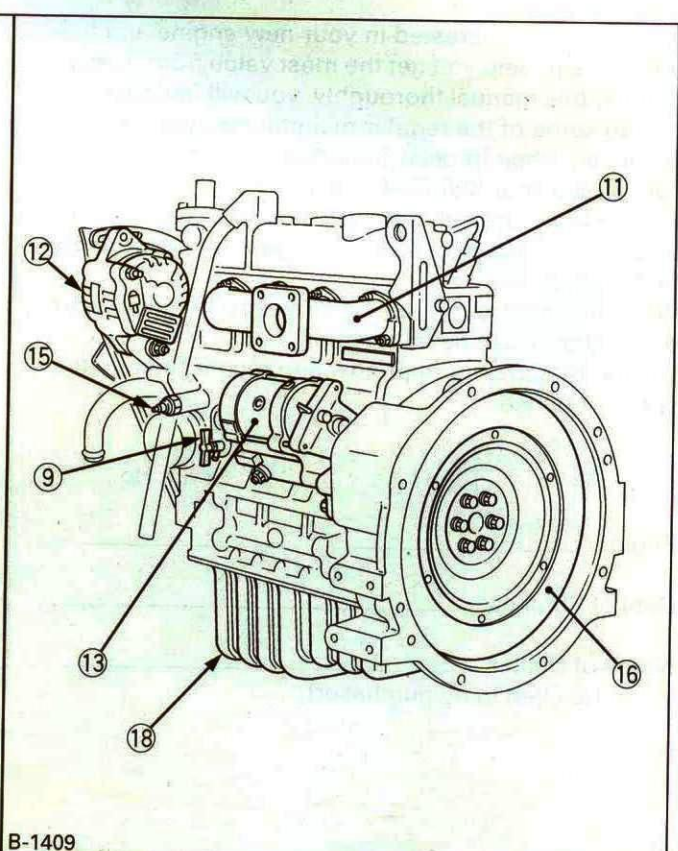
B-1407

READ AND SAVE THIS MANUAL

Kubota



- (1) Intake manifold
- (2) Speed control lever
- (3) Engine stop lever
- (4) Injection pump
- (5) Fuel feed pump
- (6) Cooling fan
- (7) Fan drive pulley
- (8) Oil filter cartridge
- (9) Water drain cock



- (10) Oil filler plug
- (11) Exhaust manifold
- (12) Alternator
- (13) Starter
- (14) Oil level gauge
- (15) Oil pressure switch
- (16) Flywheel
- (17) Oil drain plug
- (18) Oil pan