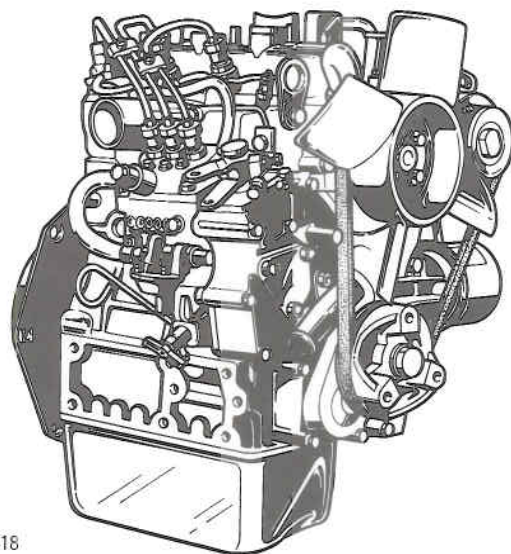


OPERATOR'S MANUAL

ENGLISH

KUBOTA DIESEL ENGINE

MODELS Z482-E · Z602-E
D662-E · D722-E
D782-E · D902-E



B-1418

READ AND SAVE THIS BOOK

Kubota

CONTENTS

▲ SAFE OPERATION	1
SERVICING OF THE ENGINE	1
NAMES OF PARTS	2
PRE-OPERATION CHECK	3
BREAK-IN	3
DAILY CHECK	3
OPERATING THE ENGINE.....	4
STARTING THE ENGINE(NORMAL)	4
COLD WEATHER STARTING	5
STOPPING THE ENGINE.....	6
CHECKS DURING OPERATION	6
Radiator Cooling water(Coolant)	6
Oil pressure lamp.....	6
Fuel.....	7
Color of exhaust.....	7
Immediately stop the engine if;	7
REVERSED ENGINE REVOLUTION AND REMEDIES.....	7
How to tell when the engine starts running backwards.....	7
Remedies.....	7
MAINTENANCE.....	8
SERVICE INTERVALS	9
PERIODIC SERVICE.....	11
FUEL	11
Fuel level check and refueling	11
Air bleeding the fuel system.....	11
Checking the fuel pipes	12
Cleaning the fuel filter pot.....	12
ENGINE OIL.....	13
Checking level and adding engine oil	13
Changing engine oil.....	14
Replacing the oil filter cartridge	15
RADIATOR.....	15
Checking coolant level, adding coolant	15
Changing coolant.....	16
Checking radiator hoses and clamp	16
Precaution at overheating.....	17
Anti-freeze	17
Radiator cement	17
AIR CLEANER	18
For the air cleaner with a dust cup (optional).....	18
BATTERY.....	18
Battery charging.....	19
Direction for long term storage	20
ELECTRIC WIRING	20