

ENGINE BASE

SERVICE MANUAL

**KUBOTA
03-M-E2B**

MANUAL

REFERENCE ONLY

- FORK LIFT(HDF15-18, -5 SERIES)

TO THE READER

This Workshop Manual has been prepared to provide servicing personnel with information on the mechanism, service and maintenance of 03-M-E2B series. It is divided into three parts, "General", "Mechanism" and "Servicing".

■ General

Information on the engine identification, the general precautions, maintenance check list, check and maintenance and special tools are described.

■ Mechanism

Information on the construction and function are included. This part should be understood before proceeding with troubleshooting, disassembling and servicing.

Refer to Diesel Engine Mechanism Workshop Manual (Code No. 97897-01872) for the one which has not been described to this workshop manual.

■ Servicing

Information on the troubleshooting, servicing specification lists, tightening torque, checking and adjusting, disassembling and assembling, and servicing which cover procedures, precautions, factory specifications and allowable limits.

All information illustrations and specifications contained in this manual are based on the latest product information available at the time of publication.

The right is reserved to make changes in all information at any time without notice.

Due to covering many models of this manual, information or picture being used have not been specified as one model.

February 2004

© KUBOTA Corporation 2004

000006469E

SAFETY FIRST

This symbol, the industry's "Safety Alert Symbol" is used throughout this manual and on labels on the machine itself to warn of the possibility of personal injury. Read these instructions carefully. It is essential that you read the instructions and safety regulations before you attempt to repair or use this unit.



DANGER

- Indicates an imminently hazardous situation which, if not avoided, will result in death or serious injury.



WARNING

- Indicates a potentially hazardous situation which, if not avoided, could result in death or serious injury.



CAUTION

- Indicates a potentially hazardous situation which, if not avoided, may result in minor or moderate injury.

■ IMPORTANT

- Indicates that equipment or property damage could result if instructions are not followed.

■ NOTE

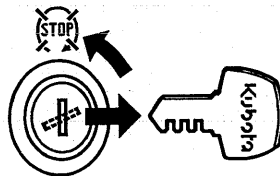
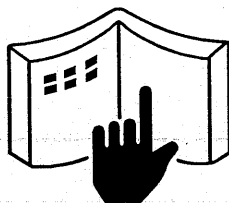
- Gives helpful information.

0000001386E

BEFORE SERVICING AND REPAIRING

- Read all instructions and safety instructions in this manual and on your engine safety decals.
- Clean the work area and engine.
- Park the machine on a firm and level ground.
- Allow the engine to cool before proceeding.
- Stop the engine, and remove the key
- Disconnect the battery negative cable

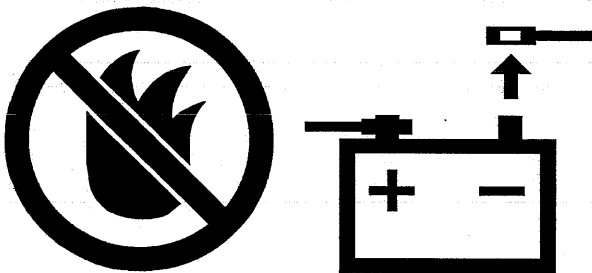
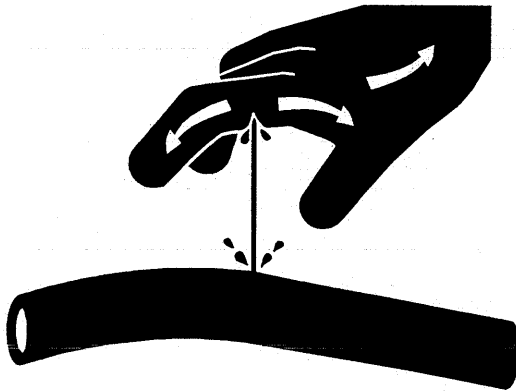
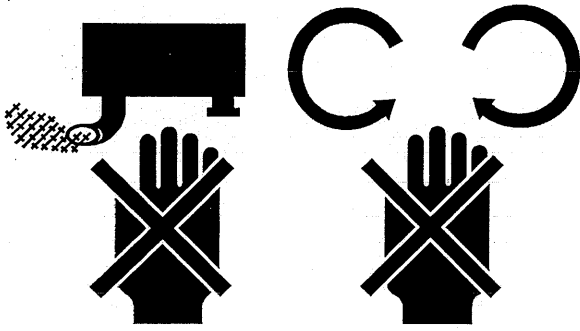
0000001387E



SAFETY STARTING

- Do not start the engine by shorting across starter terminals or bypassing the safety start switch.
- Unauthorized modifications to the engine may impair the function and / or safety and affect engine life.

0000001388E



SAFETY WORKING

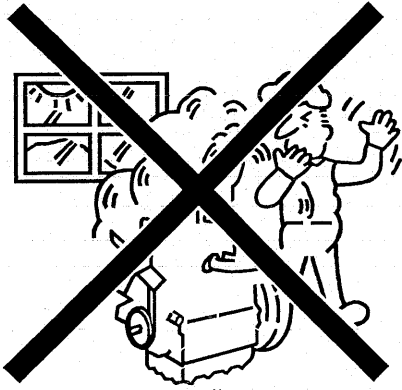
- Do not work on the machine while under the influence of alcohol, medication, or other substances or while fatigued.
- Wear close fitting clothing and safety equipment appropriate to the job.
- Use tools appropriate to the work. Makeshift tools, parts, and procedures are not recommended.
- When servicing is performed together by two or more persons, take care to perform all work safely.
- Do not touch the rotating or hot parts while the engine is running.
- Never remove the radiator cap while the engine is running, or immediately after stopping. Otherwise, hot water will spout out from radiator. Only remove radiator cap when cool enough to touch with bare hands. Slowly loosen the cap to first stop to relieve pressure before removing completely.
- Escaping fluid (fuel or hydraulic oil) under pressure can penetrate the skin causing serious injury. Relieve pressure before disconnecting hydraulic or fuel lines. Tighten all connections before applying pressure.
- Wear a suitable hearing protective device such as earmuffs or earplugs to protect against objectionable or uncomfortable loud noises.

0000001389E

AVOID FIRES

- Fuel is extremely flammable and explosive under certain conditions. Do not smoke or allow flames or sparks in your working area.
- To avoid sparks from an accidental short circuit, always disconnect the battery negative cable first and connect it last.
- Battery gas can explode. Keep sparks and open flame away from the top of battery, especially when charging the battery.
- Make sure that no fuel has been spilled on the engine.

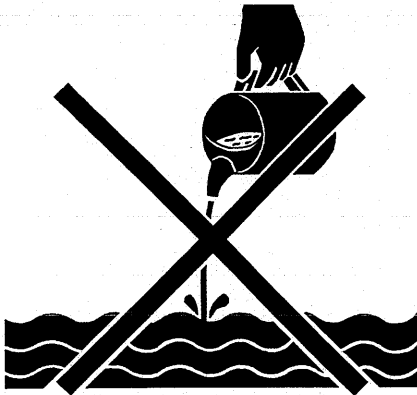
0000001390E



VENTILATE WORK AREA

- If the engine must be running to do some work, make sure the area is well ventilated. Never run the engine in a closed area. The exhaust gas contains poisonous carbon monoxide.

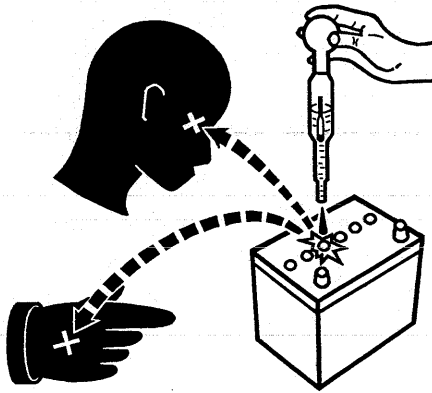
0000001391E



DISPOSE OF FLUIDS PROPERLY

- Do not pour fluids into the ground, down a drain, or into a stream, pond, or lake. Observe relevant environmental protection regulations when disposing of oil, fuel, coolant, electrolyte and other harmful waste.

0000001393E



PREVENT ACID BURNS

- Sulfuric acid in battery electrolyte is poisonous. It is strong enough to burn skin, clothing and cause blindness if splashed into eyes. Keep electrolyte away from eyes, hands and clothing. If you spill electrolyte on yourself, flush with water, and get medical attention immediately.

0000001392E

PREPARE FOR EMERGENCIES

- Keep a first aid kit and fire extinguisher handy at all times.
- Keep emergency numbers for doctors, ambulance service, hospital and fire department near your telephone.

0000001394E



SPECIFICATIONS

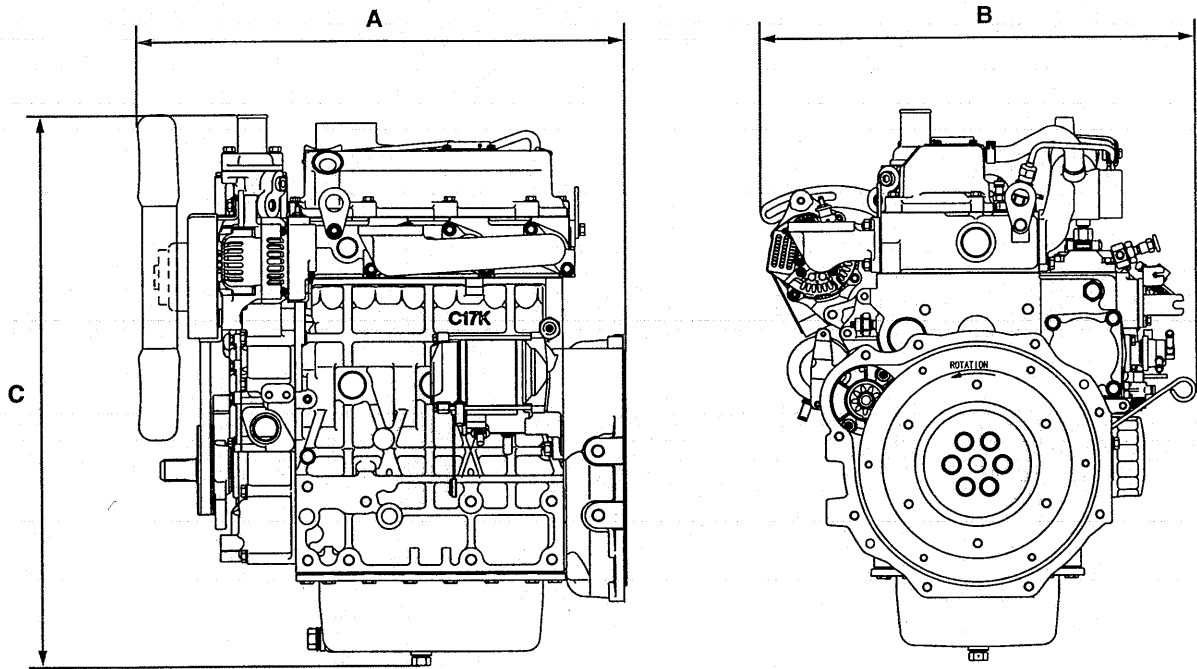
Model	D1503-M	D1703-M	D1803-M
Number of Cylinders	3		
Type	Vertical, water-cooled, 4-cycle IDI diesel engine		
Bore x Stroke	83 x 92.4 mm (3.26 x 3.64 in.)	87 x 92.4 mm (3.43 x 3.64 in.)	87 x 102.4 mm (3.43 x 4.04 in.)
Total Displacement	1499 cm ³ (91.47 cu.in.)	1647 cm ³ (100.51 cu.in.)	1826 cm ³ (111.43 cu.in.)
SAE Net Continuous	19.8 kW / 2800 min ⁻¹ (rpm) (26.5 HP / 2800 min ⁻¹ (rpm))	22.4 kW / 2800 min ⁻¹ (rpm) (30.0 HP / 2800 min ⁻¹ (rpm))	23.3 kW / 2600 min ⁻¹ (rpm) (31.2 HP / 2600 min ⁻¹ (rpm))
SAE Net Intermittent	22.8 kW / 2800 min ⁻¹ (rpm) (30.5 HP / 2800 min ⁻¹ (rpm))	25.7 kW / 2800 min ⁻¹ (rpm) (34.5 HP / 2800 min ⁻¹ (rpm))	26.9 kW / 2600 min ⁻¹ (rpm) (36.1 HP / 2600 min ⁻¹ (rpm))
SAE Gross Intermittent	24.9 kW / 2800 min ⁻¹ (rpm) (33.4 HP / 2800 min ⁻¹ (rpm))	27.4 kW / 2800 min ⁻¹ (rpm) (36.7 HP / 2800 min ⁻¹ (rpm))	28.4 kW / 2600 min ⁻¹ (rpm) (38.1 HP / 2600 min ⁻¹ (rpm))
Maximum Bare Speed	3000 min ⁻¹ (rpm)		2800 min ⁻¹ (rpm)
Minimum Idling Speed	750 to 850 min ⁻¹ (rpm)		
Combustion Chamber	Spherical Type (E-TVCS)		
Fuel Injection Pump	Bosch Type Mini Pump		
Governor	Centrifugal Ball Type, All Speed Mechanical Governor		
Direction of Rotation	Counter-clockwise (viewed from flywheel side)		
Injection Nozzle	Bosch Throttle Type Mini Nozzle (OPD)		
Injection Timing	0.314 rad (18 °) before T.D.C.		
Firing Order	1 - 2 - 3		
Injection Pressure	13.73 MPa (140 kgf/cm ² , 1991 psi)		
Compression Ratio	23	22.6	23.8
Lubricating System	Forced Lubrication by Trochoid Pump		
Cooling System	Pressurized radiation, forced circulation with water pump		
Starting System	Electric Starting with Starter		
	12 V, 1.4 kW		12 V, 2.0 kW
Starting Support Device	Pre-heating by Glow Plug in Combustion Chamber		
Battery	12 V, 70 to 80 AH		12 V, 100 to 120 AH
Charging Alternator	12 V, 480 W		
Fuel	Diesel Fuel No.2-D or No.2-DLS		
Lubricating Oil	Better than CD class (API)		
Lubricating Oil Capacity	Oil Pan Depth 90 mm (3.54 in.)	5.6 L (1.48 U.S.gal, 1.23 Imp.gal)	
	Oil Pan Depth 124 mm (4.88 in.)	7.0 L (1.85 U.S.gal, 1.54 Imp.gal)	
Weight (Dry) BB spec.	148 kg (326.3 lbs)		151 kg (333 lbs)

000006470E

Model	V2003-M	V2203-M	V2003-M-T	V2403-M
Number of Cylinders	4			
Type	Vertical, water-cooled, 4-cycle IDI diesel engine			
Bore x Stroke	83 x 92.4 mm (3.26 x 3.64 in.)	87 x 92.4 mm (3.43 x 3.64 in.)	83 x 92.4 mm (3.26 x 3.64 in.)	87 x 102.4 mm (3.43 x 4.04 in.)
Total Displacement	1999 cm ³ (121.99 cu.in.)	2197 cm ³ (134.07 cu.in.)	1999 cm ³ (121.99 cu.in.)	2434 cm ³ (148.53 cu.in.)
SAE Net Continuous	26.4 kW / 2800 min ⁻¹ (rpm) (35.4 HP / 2800 min ⁻¹ (rpm))	29.8 kW / 2800 min ⁻¹ (rpm) (40.0 HP / 2800 min ⁻¹ (rpm))	35.8 kW / 2800 min ⁻¹ (rpm) (47.6 HP / 2800 min ⁻¹ (rpm))	31.1 kW / 2600 min ⁻¹ (rpm) (41.6 HP / 2600 min ⁻¹ (rpm))
SAE Net Intermittent	30.4 kW / 2800 min ⁻¹ (rpm) (40.8 HP / 2800 min ⁻¹ (rpm))	34.3 kW / 2800 min ⁻¹ (rpm) (46.0 HP / 2800 min ⁻¹ (rpm))	41.0 kW / 2800 min ⁻¹ (rpm) (55.0 HP / 2800 min ⁻¹ (rpm))	35.8 kW / 2600 min ⁻¹ (rpm) (48.0 HP / 2600 min ⁻¹ (rpm))
SAE Gross Intermittent	33.2 kW / 2800 min ⁻¹ (rpm) (44.5 HP / 2800 min ⁻¹ (rpm))	36.4 kW / 2800 min ⁻¹ (rpm) (48.8 HP / 2800 min ⁻¹ (rpm))	44.0 kW / 2800 min ⁻¹ (rpm) (59.0 HP / 2800 min ⁻¹ (rpm))	38.0 kW / 2600 min ⁻¹ (rpm) (51.0 HP / 2600 min ⁻¹ (rpm))
Maximum Bare Speed	3000 min ⁻¹ (rpm)			2800 min ⁻¹ (rpm)
Minimum Idling Speed	750 to 850 min ⁻¹ (rpm)		850 to 950 min ⁻¹ (rpm)	750 to 850 min ⁻¹ (rpm)
Combustion Chamber	Spherical Type (E-TVCS)			
Fuel Injection Pump	Bosch Type Mini Pump			
Governor	Centrifugal Ball Type, All Speed Mechanical Governor			
Direction of Rotation	Counter-clockwise (viewed from flywheel side)			
Injection Nozzle	Bosch Throttle Type Mini Nozzle (OPD)			
Injection Timing	0.314 rad (18 °) before T.D.C.			
Firing Order	1 - 3 - 2 - 4			
Injection Pressure	13.73 MPa (140 kgf/cm ² , 1991 psi)			
Compression Ratio	23	22.6	22.0	23.8
Lubricating System	Forced Lubrication by Trochoid Pump			
Cooling System	Pressurized radiation, forced circulation with water pump			
Starting System	Electric Starting with Starter			
	12 V, 1.4 kW			12 V, 2.0 kW
Starting Support Device	Pre-heating by Glow Plug in Combustion Chamber			
Battery	12 V, 100 to 120 AH			
Charging Alternator	12 V, 480 W			
Fuel	Diesel Fuel No.2-D or No.2-DLS			
Lubricating Oil	Better than CD class (API)			
Lubricating Oil Capacity	Oil Pan Depth 90 mm (3.54 in.)	7.6 L (2.01 U.S.gal, 1.67 Imp.gal)		
	Oil Pan Depth 124 mm (4.88 in.)	9.5 L (2.51 U.S.gal, 2.09 Imp.gal)		
Weight (Dry) BB spec.	180 kg (397 lbs)		186 kg (410 lbs)	184 kg (406 lbs)

000006471E

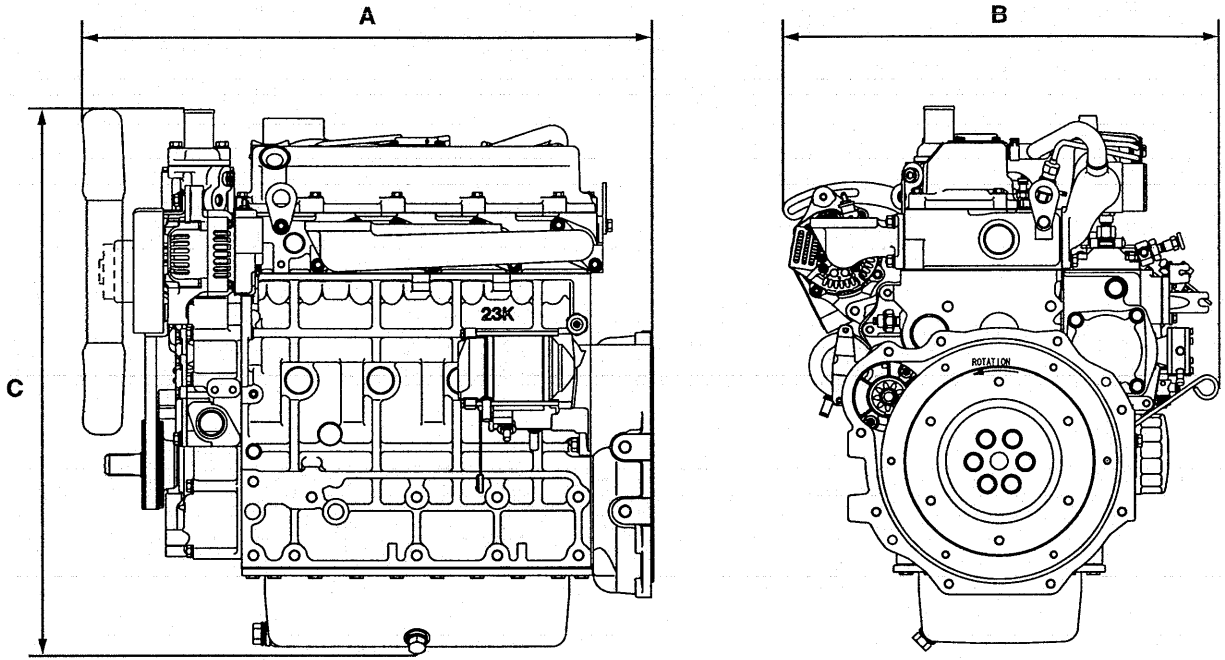
DIMENSIONS



3EEADACFP001A

	D1503-M	D1703-M	D1803-M
A	572.1 mm (22.5 in.)	572.1 mm (22.5 in.)	575.9 mm (22.7 in.)
B	507.1 mm (20.0 in.)	507.1 mm (20.0 in.)	499.0 mm (19.6 in.)
C	643.3 mm (25.3 in.)	643.3 mm (25.3 in.)	685.0 mm (27.0 in.)

000006472E



3EEADACFP002A

	V2003-M	V2203-M	V2003-M-T	V2403-M
A	667.1 mm (26.3 in.)	667.1 mm (26.3 in.)	667.1 mm (26.3 in.)	670.9 mm (26.4 in.)
B	507.1 mm (20.0 in.)	507.1 mm (20.0 in.)	507.1 mm (20.0 in.)	499.0 mm (19.6 in.)
C	635.0 mm (25.0 in.)	635.0 mm (25.0 in.)	698.3 mm (27.5 in.)	684.5 mm (26.9 in.)

000006473E

CONTENTS

1. ENGINE IDENTIFICATION	G-1
[1] MODEL NAME AND ENGINE SERIAL NUMBER	G-1
[2] E2B ENGINE	G-2
[3] CYLINDER NUMBER	G-2
2. GENERAL PRECAUTION	G-3
3. MAINTENANCE CHECK LIST	G-4
4. CHECK AND MAINTENANCE	G-6
[1] DAILY CHECK POINTS	G-6
[2] CHECK POINTS OF EVERY 50 HOURS	G-8
[3] CHECK POINTS OF EVERY 100 HOURS	G-9
[4] CHECK POINTS OF EVERY 150 HOURS	G-11
[5] CHECK POINTS OF EVERY 200 HOURS	G-12
[6] CHECK POINTS OF EVERY 300 HOURS	G-13
[7] CHECK POINTS OF EVERY 400 HOURS	G-13
[8] CHECK POINTS OF EVERY 500 HOURS	G-15
[9] CHECK POINTS OF EVERY 1 OR 2 MONTHS	G-17
[10] CHECK POINTS OF EVERY YEAR	G-19
[11] CHECK POINTS OF EVERY 800 HOURS	G-20
[12] CHECK POINTS OF EVERY 1500 HOURS	G-21
[13] CHECK POINTS OF EVERY 2 YEARS	G-22
5. SPECIAL TOOLS	G-23