

Operation & Maintenance Manual

PC340LC-7K

PC340NLC-7K

HYDRAULIC EXCAVATOR

SERIAL NUMBER

PC340LC-7K - K40001 and up

PC340NLC-7K - K40001 and up



WARNING

Unsafe use of this machine may cause serious injury or death. Operators and maintenance personnel must read this manual before operating or maintaining this machine. This manual should be kept inside the cab for reference and periodically reviewed by all personnel who will come into contact with the machine.

KOMATSU

FOREWORD

FOREWORD

This manual provides rules and guidelines which will help you use this machine safely and effectively. The precautions in this manual must be followed at all times while operating or performing maintenance. Most accidents are caused by the failure to follow fundamental safety rules for the operation and maintenance of machines. Accidents can be prevented by knowing beforehand conditions that may cause a hazard when performing operation and maintenance.

WARNING

Operators and maintenance personnel must always do as follows before beginning operation or maintenance.

- **Always be sure to read and understand this manual thoroughly before performing operation and maintenance.**
- **Read the safety messages given in this manual and the safety labels affixed to the machine thoroughly and be sure that you understand them fully.**

Keep this manual in the storage location for the Operation and Maintenance Manual given below, and have all personnel read it periodically.

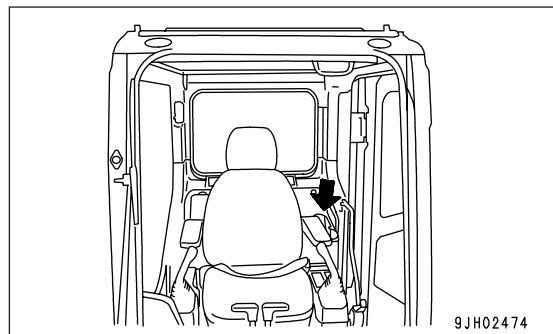
If this manual has been lost or has become dirty and cannot be read, request a replacement manual immediately from Komatsu or your Komatsu distributor.

If you sell the machine, be sure to give this manual to the new owners together with the machine.

Komatsu delivers machines that comply with all applicable regulations and standards of the country to which it has been shipped. If this machine has been purchased in another country or purchased from someone in another country, it may lack certain safety devices and specifications that are necessary for use in your country. If there is any question about whether your product complies with the applicable standards and regulations of your country, consult Komatsu or your Komatsu distributor before operating the machine.

Storage location for the Operation and Maintenance Manual:

Storage box on the left side of the operator's seat.



SAFETY INFORMATION

To enable you to use this machine safely, safety precautions and labels are given in this manual and affixed to the machine to give explanations of situations involving potential hazards and of the methods of avoiding such situations.

Signal words

The following signal words are used to inform you that there is a potentially hazardous situation that may lead to personal injury or damage.

In this manual and on machine labels, the following signal words are used to express the potential level of hazard.



Indicates an imminently hazardous situation which, if not avoided, will result in death or serious injury.



Indicates a potentially hazardous situation which, if not avoided, could result in death or serious injury.



Indicates a potentially hazardous situation which, if not avoided, may result in minor or moderate injury. This word is used also to alert against unsafe practices that may cause property damage.

Example of safety message using signal word

WARNING

To avoid hitting unlocked operation levers, lower equipment to ground and move **SAFETY LOCK LEVER** (located near seat) to **LOCK** position before getting up from the operator's seat.
Sudden and unwanted machine movement can cause serious injury or death.

Other signal words

In addition to the above, the following signal words are used to indicate precautions that should be followed to protect the machine or to give information that is useful to know.

NOTICE

This word is used for precautions that must be taken to avoid actions which could shorten the life of the machine.

REMARKS

This word is used for information that is useful to know.

Safety labels

Safety labels are affixed to the machine to inform the operator or maintenance worker on the spot when carrying out operation or maintenance of the machine that may involve hazard.

This machine uses "Safety labels using pictograms" to indicate safety procedures.

Safety labels using pictogram

Safety pictograms use a picture to express a level of hazardous condition equivalent to the signal word. These safety pictograms use pictures in order to let the operator or maintenance worker understand the level and type of hazardous condition at all times. Safety pictograms show the type of hazardous condition at the top or left side, and the method of avoiding the hazardous condition at the bottom or right side. In addition, the type of hazardous condition is displayed inside a triangle and the method of avoiding the hazardous condition is shown inside a circle.



Komatsu cannot predict every circumstance that might involve a potential hazard in operation and maintenance. Therefore, the safety messages in this manual and on the machine may not include all possible safety precautions. If any procedures or actions not specifically recommended or allowed in this manual are used, it is your responsibility to take the necessary steps to ensure safety.

In no event should you engage in prohibited uses or actions described in this manual.

The explanations, values, and illustrations in this manual were prepared based on the latest information available at that time. Continuing improvements in the design of this machine can lead to changes in detail which may not be reflected in this manual. Consult Komatsu or your Komatsu distributor for the latest available information of your machine or for questions regarding information in this manual.

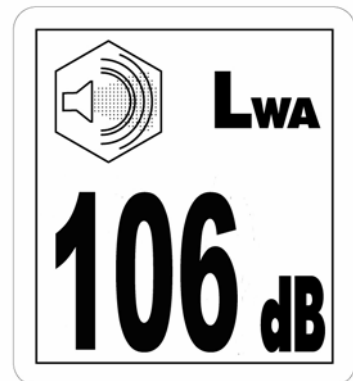
The numbers in circles in the illustrations correspond to the numbers in () in the text. (For example: ① → (1))

NOISE

- Sound pressure level at the operator's station, measured according to ISO6396 (Dynamic test method, simulated working cycle).



- Sound power level emitted. This is the guaranteed value as specified in the European directive 2000/14/EC



VIBRATION

The weighted root mean square acceleration value to which the operator's arms are subjected does not exceed 2.5 m/s^2 .

The weighted root mean square acceleration value to which the operator's body is subjected does not exceed 0.5 m/s^2 .

These results were obtained by accelerometers during trench digging.

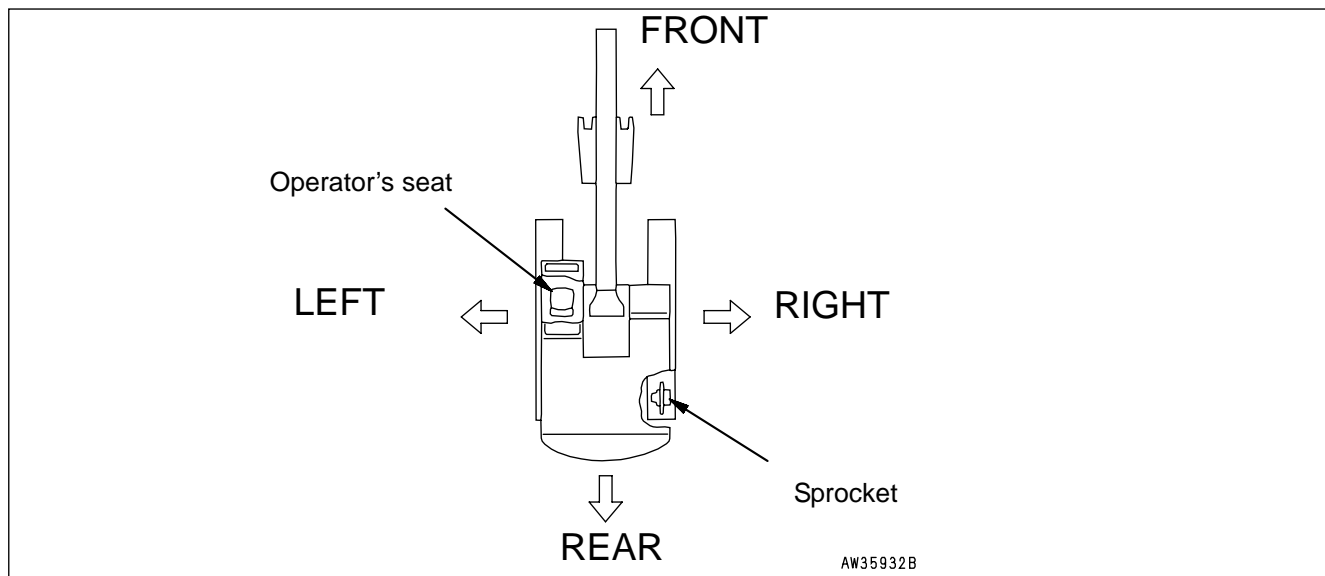
INTRODUCTION

This Komatsu HYDRAULIC EXCAVATOR is designed to be used mainly for the following works:

- Digging work
- Leveling work
- Ditching work
- Loading work
- Demolition work

See the section "RECOMMENDED APPLICATIONS (PAGE 164)" for further details.

DIRECTIONS OF MACHINE



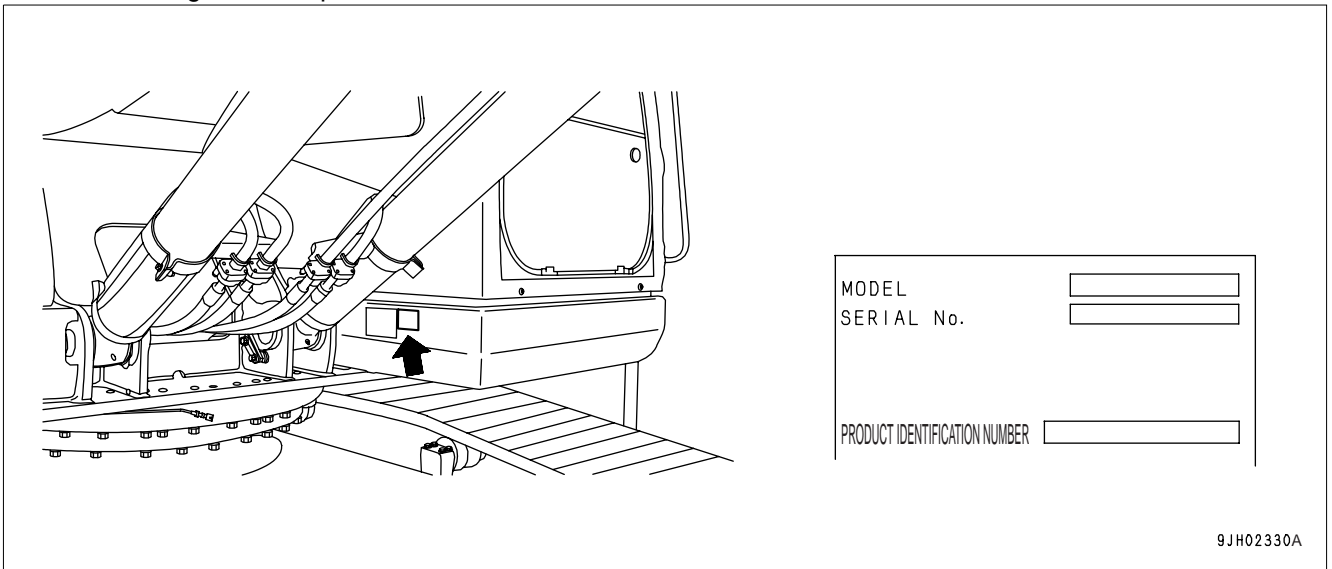
In this manual, the terms front, rear, left, and right refer to the travel direction as seen from the operator's cab when the operator's cab is facing the front and the sprocket is at the rear of the machine.

PRODUCT INFORMATION

When requesting service or ordering replacement parts, please inform your Komatsu distributor of the following items.

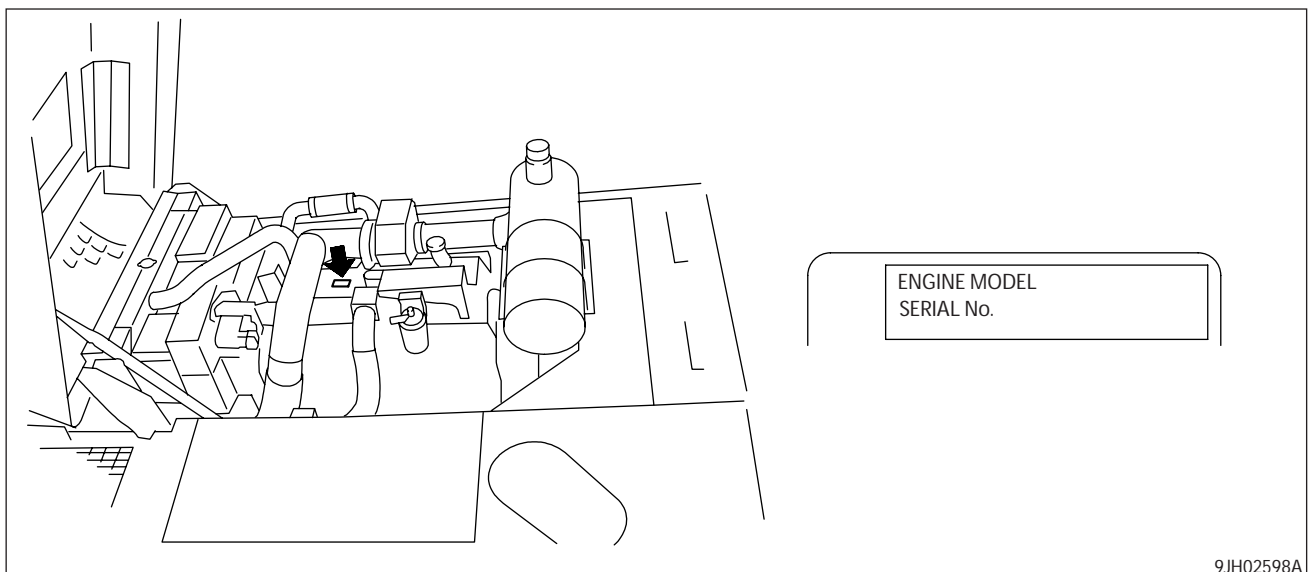
MACHINE SERIAL NUMBER PLATE AND ITS LOCATION

On the bottom right of the operator's cab



ENGINE SERIAL NUMBER PLATE AND ITS LOCATION

On the top of the No.1 cylinder head cover (The EPA auxiliary nameplate is on the top of the No. 5 cylinder head cover.)



EPA: Environmental Protection Agency, U.S.A.

SERVICE METER LOCATION

On top of the machine monitor

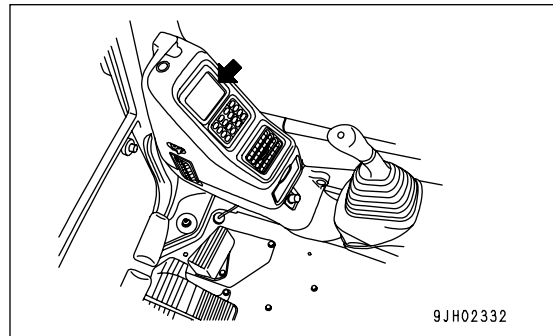


TABLE TO ENTER SERIAL NO. AND DISTRIBUTOR

Machine serial No.

Engine serial No.

Product Identification Number

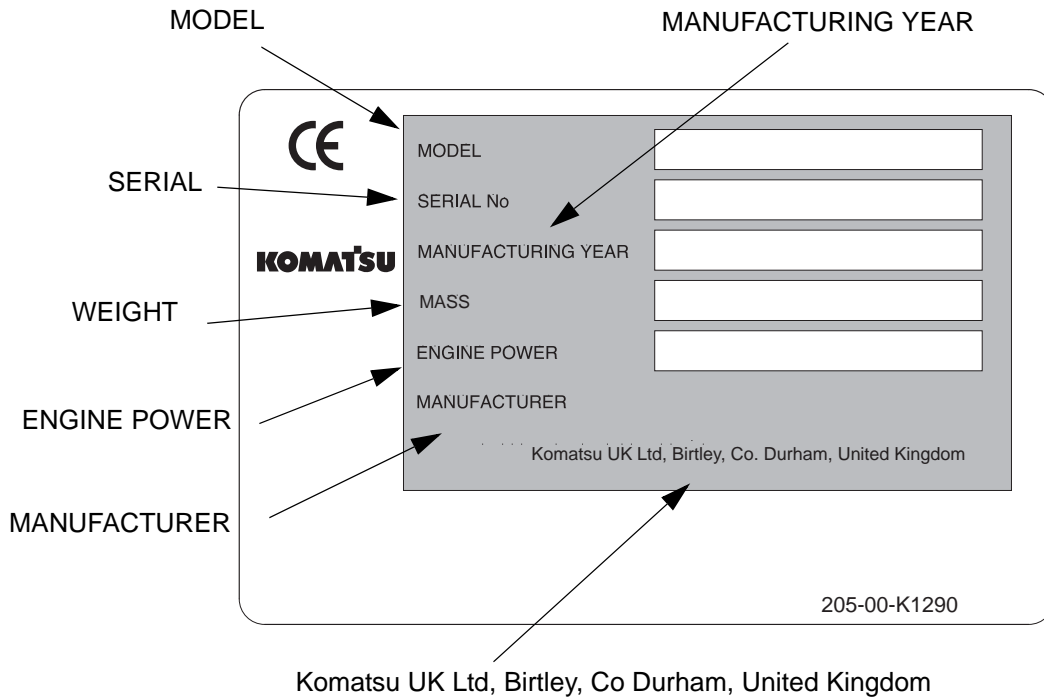
Manufacturers name:	KOMATSU UK Ltd.
Address:	Durham Road Birtley Chester-Le street County Durham DH32QX United Kingdom

Distributor
Address

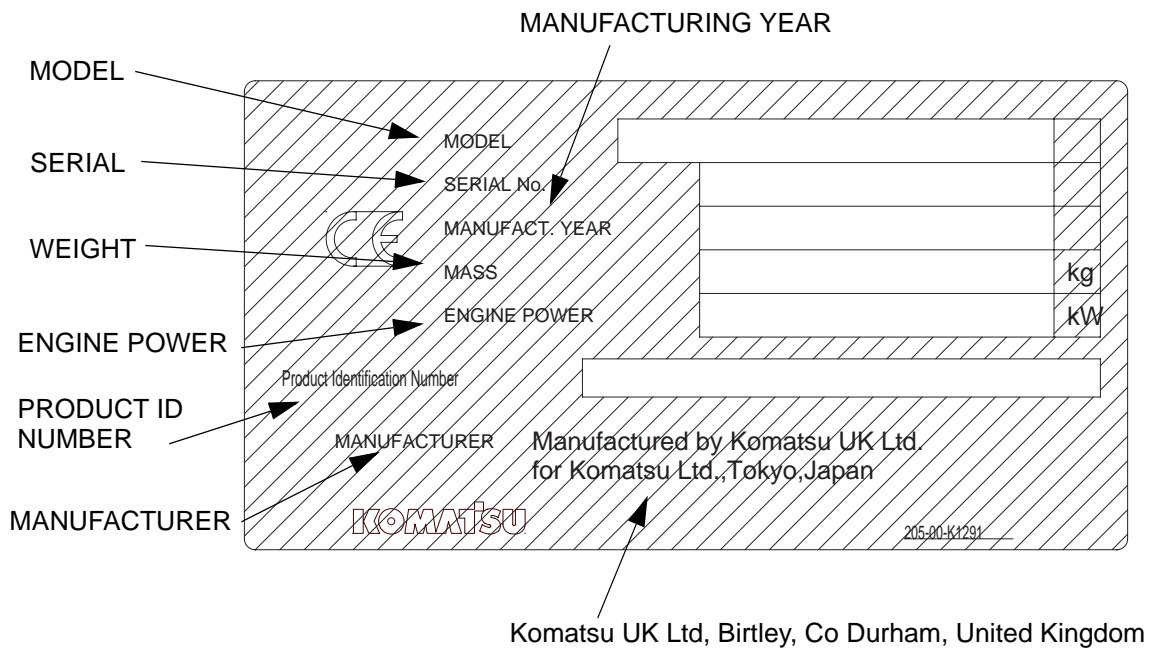
Phone

MACHINE SERIAL PLATE

Valid until 31 December 2003



Valid as of 1 January 2004



CONTENTS

FOREWORD	2
SAFETY INFORMATION	3
NOISE	5
VIBRATION	5
INTRODUCTION	6
DIRECTIONS OF MACHINE	6
PRODUCT INFORMATION	7
MACHINE SERIAL NUMBER PLATE AND ITS LOCATION	7
ENGINE SERIAL NUMBER PLATE AND ITS LOCATION	7
SERVICE METER LOCATION	8
TABLE TO ENTER SERIAL NO. AND DISTRIBUTOR	8
MACHINE SERIAL PLATE	9
SAFETY INFORMATION	16
POSITION FOR ATTACHING SAFETY LABELS	18
POSITION FOR ATTACHING SAFETY LABELS	18
SAFETY LABELS	19
SAFETY INFORMATION	26
SAFETY MACHINE OPERATION	36
STARTING ENGINE	36
OPERATION	37
TRANSPORTATION	43
BATTERY	43
TOWING	45
LIFTING OBJECTS WITH BUCKET	46
SAFETY MAINTENANCE INFORMATION	47
GENERAL VIEW	56
GENERAL VIEW OF MACHINE	56
GENERAL VIEW CONTROLS AND GAUGES	57
EXPLANATION OF COMPONENTS	58
MACHINE MONITOR	58
BASIC CHECK ITEMS	61
CONTROL LEVERS, PEDALS	90
CEILING WINDOW	93
FRONT WINDOW	94
EMERGENCY EXIT FROM OPERATOR'S CAB	99
DOOR LOCK	99
CAP, COVER WITH LOCK	100
HOT AND COOL BOX	101

CAB RADIO	101
ASHTRAY	102
HANDLING AIR CONDITIONER	103
CAR RADIO	116
FUSE	117
FUSIBLE LINK.....	118
CONTROLLER (COMPUTER)	119
TOOLBOX.....	119
GREASE GUN HOLDER.....	119
REFUELLING PUMP	120
HANDLING THE ACCUMULATOR	120
MACHINE OPERATIONS AND CONTROLS.....	122
BEFORE STARTING ENGINE	122
STARTING ENGINE	135
AFTER STARTING ENGINE	139
IN COLD AREAS (AUTOMATIC WARMING-UP OPERATION)	143
STOPPING THE ENGINE	148
CHECK AFTER SHUTTING OFF ENGINE	148
MACHINE OPERATION	149
STEERING THE MACHINE.....	153
SWINGING	155
WORK EQUIPMENT CONTROLS AND OPERATIONS	156
OPERATING WORKING MODE	157
PROHIBITED OPERATIONS	158
GENERAL OPERATION INFORMATION	160
TRAVELLING ON SLOPES.....	161
ESCAPE FROM MUD.....	163
RECOMMENDED APPLICATIONS.....	164
REPLACEMENT AND INVERSION OF BUCKET	166
PARKING MACHINE	169
CHECK AFTER FINISHING WORK	170
LOCKING.....	171
TRANSPORTATION.....	172
TRANSPORTATION PROCEDURE.....	172
LOADING AND UNLOADING WITH TRAILER	173
LIFTING MACHINE.....	180
COLD WEATHER OPERATION	182
COLD WEATHER OPERATION INFORMATION.....	182
AFTER DAILY WORK COMPLETION.....	184
AFTER COLD WEATHER SEASON	185
LONG TERM STORAGE.....	186
BEFORE STORAGE.....	186
DURING STORAGE	186
AFTER STORAGE.....	187

TROUBLESHOOTING 188

 AFTER RUNNING OUT OF FUEL 188

 PHENOMENA THAT ARE NOT FAILURES 188

 TOWING THE MACHINE 189

 LIGHTWEIGHT TOWING HOOK 189

 PRECAUTIONS ON PARTICULAR JOBSITES 190

 DISCHARGED BATTERY 191

 OTHER TROUBLE 195

MAINTENANCE INFORMATION 204

LUBRICANTS, COOLANT AND FILTERS 207

 HANDLING OIL, FUEL, COOLANT, AND PERFORMING OIL CLINIC 207

 EXPLANATION OF LUBRICATION CHART DECAL 211

 ELECTRIC SYSTEM MAINTENANCE 213

 HANDLING HYDRAULIC SYSTEM 213

WEAR PARTS LIST 214

USE OF FUEL, COOLANT AND LUBRICANTS ACCORDING TO AMBIENT TEMPERATURE 215

 PROPER SELECTION OF FUEL, COOLANT AND LUBRICANTS 215

TIGHTENING TORQUE SPECIFICATIONS 218

 TIGHTENING TORQUE LIST 218

PERIODIC REPLACEMENT OF SAFETY CRITICAL PARTS 219

 SAFETY CRITICAL PARTS 219

MAINTENANCE SCHEDULE 220

 MAINTENANCE SCHEDULE CHART 220

 MAINTENANCE INTERVAL FOR HYDRAULIC BREAKER 223

MAINTENANCE PROCEDURE 224

 INITIAL 250 HOURS MAINTENANCE (ONLY AFTER THE FIRST 250 HOURS) 224

 INITIAL 1000 HOURS MAINTENANCE (ONLY AFTER THE FIRST 1000 HOURS) 224

 WHEN REQUIRED 225

 CHECK BEFORE STARTING 247

 EVERY 100 HOURS MAINTENANCE 248

 EVERY 250 HOURS MAINTENANCE 249

 EVERY 500 HOURS MAINTENANCE 256

 EVERY 1000 HOURS MAINTENANCE 263

 EVERY 2000 HOURS MAINTENANCE 267

 EVERY 4000 HOURS MAINTENANCE 270

 EVERY 5000 HOURS MAINTENANCE 271

SPECIFICATIONS 274

 EXPLANATION OF LIFTING CAPACITY CHART 276

GENERAL PRECAUTIONS 280

 PRECAUTIONS RELATED TO SAFETY 280

PRECAUTIONS WHEN INSTALLING ATTACHMENTS	282
HANDLING BUCKET WITH HOOK	283
CHECKING FOR DAMAGE TO BUCKET WITH HOOK	283
PROHIBITED OPERATIONS	283
MACHINES READY FOR ATTACHMENTS	284
EXPLANATION OF COMPONENTS	284
HYDRAULIC CIRCUIT	287
ATTACHMENT MOUNTING/DISMOUNTING PROCEDURE	290
OPERATION	292
LONG-TERM STORAGE	294
SPECIFICATIONS	294
ATTACHMENT GUIDE	295
COMBINATIONS OF WORK EQUIPMENT	295
SELECTION OF BUCKET TEETH	298
STANDARDS FOR SELECTING VERTICAL PIN TYPE AND HORIZONTAL PIN TYPE TEETH	298
HANDLING OF RUBBER PAD SHOE AND ROAD LINER	299
HANDLING TRAPEZOIDAL BUCKET	301
HANDLING EXTENSION ARM	302
HANDLING CLAMSHELL BUCKET	303
RECOMMENDED ATTACHMENT OPERATIONS	304
HYDRAULIC BREAKER	304
2-PC BOOM	309
FEATURES OF 2-PIECE BOOM & ARM	309
OPERATION	310
TESTING AND ADJUSTING	311
PERIODIC MAINTENANCE	312
TRANSPORTATION	312
SPECIFICATIONS	313
explanation of LIFTING CAPACITY CHART	314
STRAIGHT BOOM PC340LC/NLC-7K	317
OPERATION	317
WORKING RANGE (PC 340 STRAIGHT BOOM)	321
TRANSPORTATION (Straight Boom equipment) - PC340LC	322
TRANSPORTATION (Straight Boom equipment) - PC340NLC	323
HIGH REACH DEMOLITION EQUIPMENT	324
OPERATION INSTRUCTION FOR HIGH REACH DEMOLITION EQUIPMENT	324
GENERAL VIEW OF MACHINE	324
MACHINE OPERATIONS AND CONTROLS	336
BEFORE STARTING ENGINE	336
FUNCTION CHECK	337
PRECAUTIONS WHEN OPERATING	337
OPERATION	342

RAISING WORK EQUIPMENT.....	346
WORKING RANGE AND USING RANGE OF BOOM.....	347
POSTURE WHEN LEAVING MACHINE	350
DEMOLITION DIGGING BOOM INSTALLATION AND REMOVAL.....	351
PROCEDURE FOR INSTALLATION AND REMOVAL OF DEMOLITION DIGGING EQUIPMENT.	351
PURGING AIR PROCEDURES.....	362
PURGING PROCEDURE TO REMOVE AIR FROM HYDRAULIC CYLINDER LINES.....	362
PROCEDURE FOR PURGING AIR FROM BOOM LOCK VALVE PPC CIRCUIT.....	362
PURGING AIR FROM HYDRAULIC DRIFT PREVENTATIVE VALVE PPC CIRCUITS OF MID LINK AND ARM CYLINDER.....	364
TRANSPORTATION (high reach demolition equipment fitted).....	366
TRANSPORTATION (demolition digging equipment fitted).....	367
TRANSPORTATION (high reach demolition equipment alone).....	367

SAFETY

WARNING

Please read and make sure that you fully understand precautions described in this manual and the safety labels on the machine. When operating or servicing the machine, always follow these precautions strictly.

SAFETY INFORMATION

SAFETY INFORMATION	16
POSITION FOR ATTACHING SAFETY LABELS	18
POSITION FOR ATTACHING SAFETY LABELS	18
SAFETY LABELS	19
SAFETY INFORMATION	26
SAFETY RULES	26
IF ABNORMALITIES ARE FOUND	26
WORKING WEAR AND PERSONAL PROTECTIVE ITEMS	26
FIRE EXTINGUISHER AND FIRST AID KIT	26
SAFETY EQUIPMENT	27
KEEP MACHINE CLEAN	27
KEEP OPERATOR'S COMPARTMENT CLEAN	27
LEAVING OPERATOR'S SEAT WITH LOCK	27
HANDRAILS AND STEPS	28
MOUNTING AND DISMOUNTING	29
NO PERSONS ON ATTACHMENTS	29
BURN PREVENTION	29
FIRE PREVENTION AND EXPLOSION PREVENTION	30
ACTION IF FIRE OCCURS	31
WINDSHIELD WASHER FLUID	31
FALLING OBJECTS, FLYING OBJECTS AND INTRUDING OBJECTS PREVENTION	31
ATTACHMENT INSTALLATION	31
ATTACHMENT COMBINATIONS	32
CAB WIDOW GLASSES	32
UNAUTHORIZED MODIFICATIONS	32
SAFETY AT JOBSITE	32
WORKING ON LOOSE GROUND	32
DISTANCE TO HIGH VOLTAGE CABLES	33
ENSURE GOOD VISIBILITY	33
VENTILATION FOR ENCLOSED AREA	34
SIGNALMAN'S SIGNAL AND SIGNS	34
EMERGENCY EXIT FROM OPERATOR'S CAB	34
ELECTROMAGNETIC INTERFERENCE	34
ASBESTOS DUST HAZARD PREVENTION	35
SAFETY MACHINE OPERATION	36
STARTING ENGINE	36
CHECKS BEFORE STARTING ENGINE	36
SAFETY RULES FOR STARTING ENGINE	37
STARTING ENGINE IN COLD WEATHER	37
OPERATION	37
CHECKS AFTER STARTING ENGINE	37
SAFETY RULES FOR CHANGING MACHINE DIRECTIONS	38
SAFETY RULES FOR TRAVELLING	38
TRAVELLING ON SLOPES	39
OPERATIONS ON SLOPES	40
PROHIBITED OPERATIONS	41
OPERATIONS ON SNOW	43
PARKING MACHINE	43
TRANSPORTATION	44

SHIPPING THE MACHINE	44
BATTERY	44
BATTERY HAZARD PREVENTION	44
STARTING ENGINE WITH BOOSTER CABLES	45
TOWING	46
SAFETY RULES FOR TOWING.....	46
LIFTING OBJECTS WITH BUCKET	47
SAFETY RULES FOR LIFTING OBJECTS	47
SAFETY MAINTENANCE INFORMATION.....	48
WARNING TAG	48
KEEP WORK PLACE CLEAN AND TIDY.....	48
APPOINT LEADER WHEN WORKING WITH OTHERS	48
STOP ENGINE BEFORE CARRYING OUT MAINTENANCE	49
TWO WORKERS FOR MAINTENANCE WHEN ENGINE IS RUNNING	50
PROPER TOOLS.....	50
ACCUMULATOR	51
PERSONNEL.....	51
ATTACHMENTS	51
WORK UNDER THE MACHINE	51
NOISE.....	52
WHEN USING HAMMER.....	52
WELDING WORKS.....	52
REMOVING BATTERY TERMINALS	52
SAFETY FIRST WHEN USING HIGH-PRESSURE GREASE TO ADJUST TRACK TENSION	53
DO NOT DISASSEMBLE RECOIL SPRINGS	53
SAFETY RULES FOR HIGH-PRESSURE OIL.....	53
SAFETY HANDLING HIGH-PRESSURE HOSES	54
WASTE MATERIALS.....	54
AIR CONDITIONER MAINTENANCE.....	54
COMPRESSED AIR	54
PERIODIC REPLACEMENT OF SAFETY CRITICAL PARTS	55

POSITION FOR ATTACHING SAFETY LABELS

The following warning signs and safety labels are used on this machine.

- Be sure that you fully understand the correct position and content of labels.
- To ensure that the content of labels can be read properly. Be sure that they are in the correct place and always keep them clean. When cleaning them, do not use organic solvents or gasoline, there may cause the labels to peel off.
- There are also other labels in addition to the warning signs and safety labels. Handle those labels in the same way.
- If the labels are damaged, lost, or cannot be read properly, replace them with new ones. For details of the part numbers for the labels, see this manual or the actual label, and place an order with Komatsu distributor.

POSITION FOR ATTACHING SAFETY LABELS

