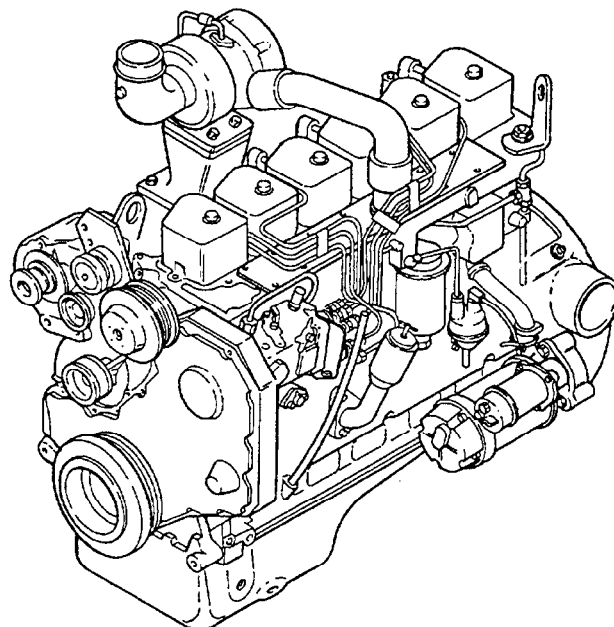
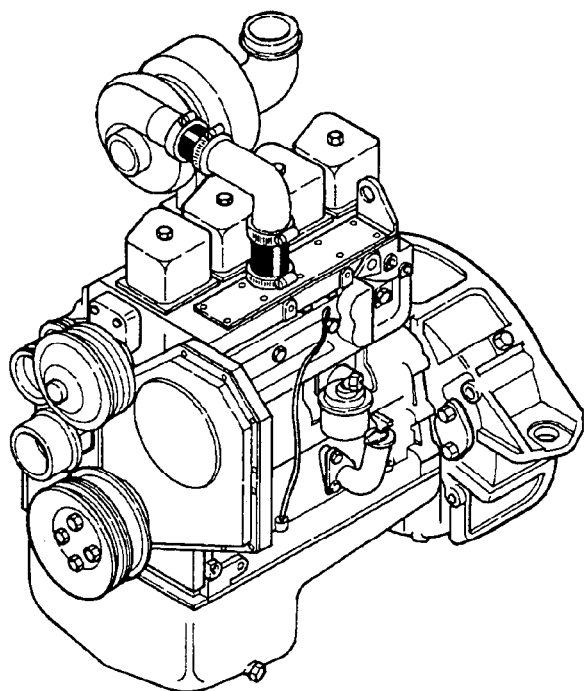
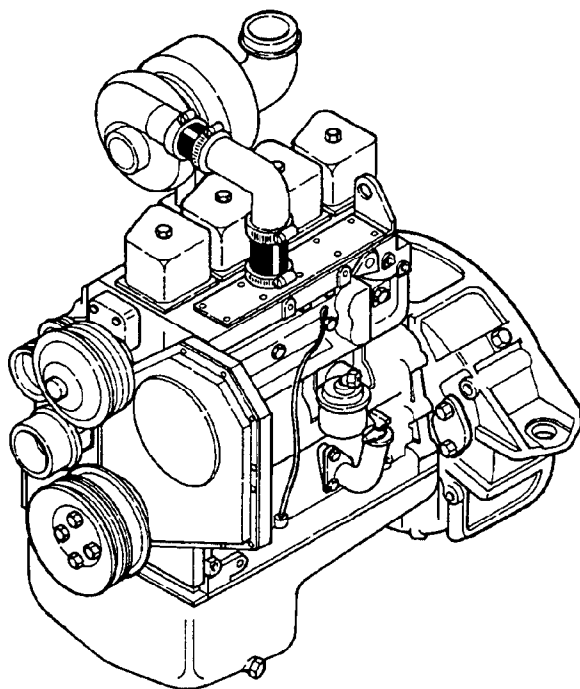


CEBM610AR0

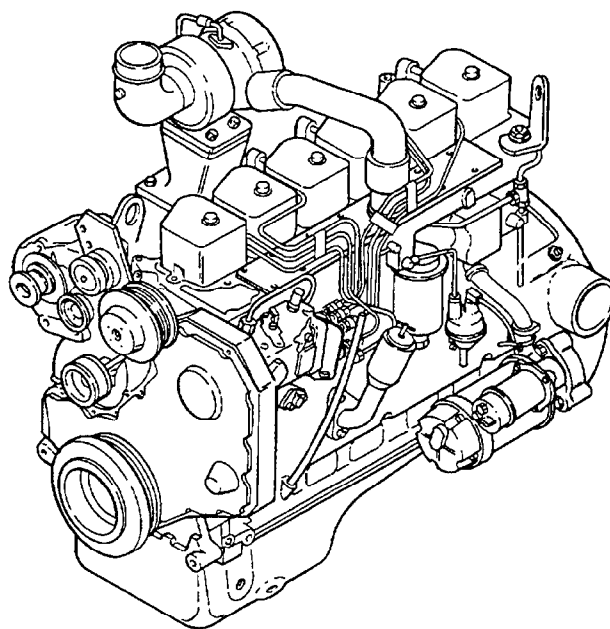
KDC 410 AND 610 SERIES ENGINE ALTERNATIVE REPAIR MANUAL 1991 SERIES



KOMATSU



KDC 410 Series Engine



KDC 610 Series Engine

Foreword

This alternative repair manual contains specifications and instructions for repairing damaged or worn components in the 410 and 610 Series engines. The repair procedures are based on the engine being repaired with approved machining and grinding equipment. Some procedures require the use of special service tools. Make sure the correct tools and equipment are used as described in the procedures.

When a specific brand name, number or special tool is referenced in this manual, an equivalent product can be used in place of the recommended item.

A series of specific service manuals (Shop, Specification, Alternative Repair, and so forth) are available and can be ordered through your distributor using the form in Section L.

The specifications and rebuild in this manual is based on the information in effect at the time of printing. Komatsu Dresser Company reserves the right to make any changes at any time without obligation. If differences are found between your engine and the information in this manual, contact your KDC Distributor.

The latest technology and the highest quality components are used to manufacture KDC engines. When replacement parts are needed, we recommend using only genuine KDC exchange parts.

Table of Contents

	Page
Introduction	i
General Repair Instructions	0
Cylinder Block Group	1
Cylinder Head Group	2
Service Literature	L
Index	X



Komatsu Engine 610 Workshop Manuals 1

Full download: <http://manualplace.com/download/komatsu-engine-610-workshop-manuals-1/>