

BANTAM

T-744 TELESKOOP

Serial No. _____



 **KOEHRING.**
CRANE AND EXCAVATOR GROUP

Part No. T-744-89

GROUP INDEX

MAIN FRAME, COUNTER WEIGHT, FUEL TANK, ROTEK LUBRICATOR	1
ENGINES, ENGINE CONTROLS, CLUTCH, GEAR REDUCTION UNIT	2
HYDRAULIC SYSTEM	3
SWING SPEED REDUCER	4
CAB, SEAT, CONTROLS	5
ELECTRICAL SYSTEM	6
ACCESSORIES	7
TELESCOPING BOOM	8
BOOM ATTACHMENTS	9
STABILIZERS	10
HYDRAULIC REMOTE CONTROL	11

GENERAL REFERENCE INFORMATION

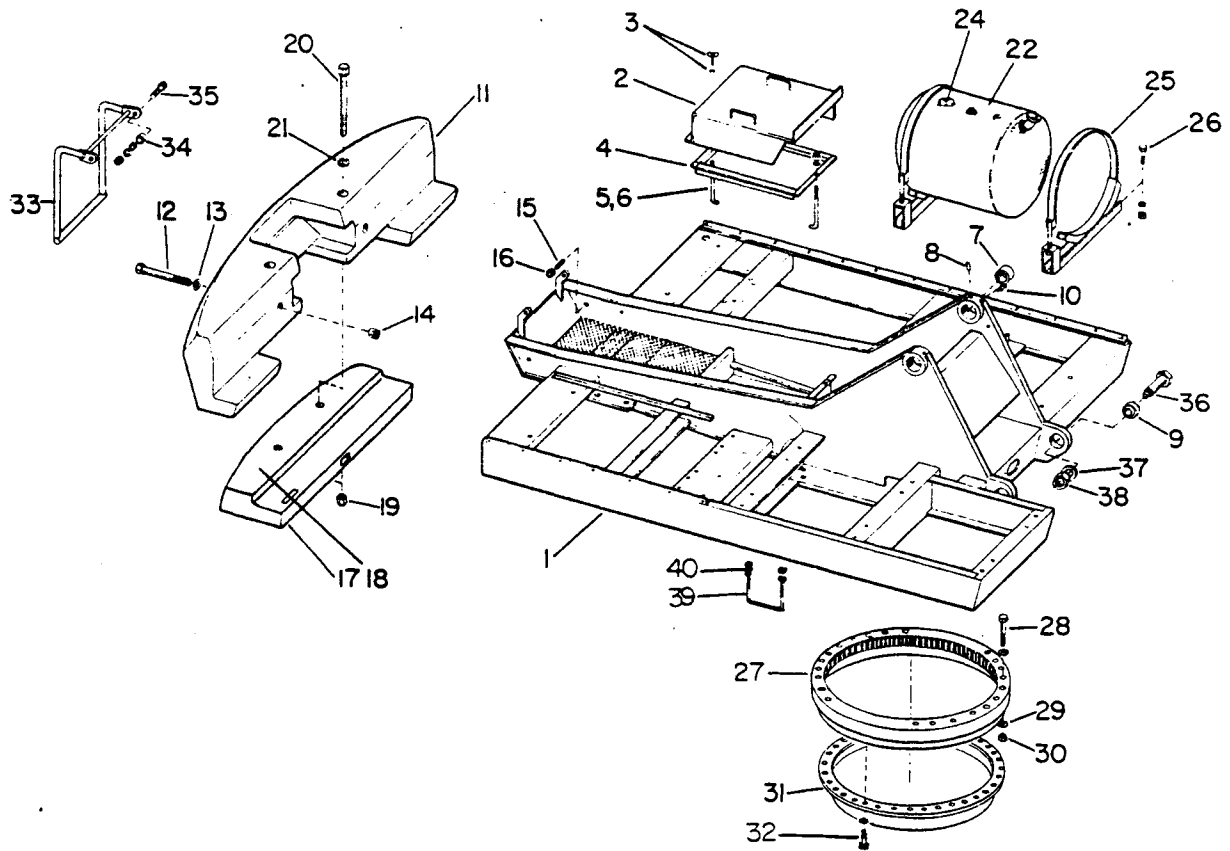
Model 744

Date REV. 1 JUNE, 1975

MAIN FRAME

Group No.

Page 1.1



Ref. No.	Part Number	Quan. Req'd.	Name and Description
1	F66001	1	MAINFRAME
2	F54388	1	COVER
3	F46069	1	WING BOLT
	1220-80	1	SNAP RING
4	A18288-1	1	BATTERY BRACKET, GM & AC
	F46075	1	BATTERY BRACKET, CUMMINS
5	32089	2	BOLT, GM & AC
	F46300	2	BOLT, CUMMINS
6	1210-17	2	LOCKWASHER, 5/16 MED.
	1205-25	2	NUT, 5/16 UNC
7	35303	2	BRONZE BUSHING
8	35258	2	BRASS DOWEL
9	1217-188	2	SELF-ALIGNING BUSHING
10	1213-1	2	GREASE FITTING
11	B43003	1	COUNTERWEIGHT, 4000#

WHEN ORDERING, SPECIFY BANTAM SERIAL NUMBER, PART NUMBER AND NAME OF PART REQUIRED

Model 744

Group No. 1

Date Rev. July 1983

MAIN FRAME

Page 1.2

Ref. No.	Part Number	Quan. Req'd.	Name and Description
12	F43024	2	BOLT
13	42395	2	WASHER
14	1205-133	2	NUT, 1-1/4C Elastic
15	1206-73	2	SETSCREW, 5/8C x 3 socket head, flat point
16	1205-84	2	NUT, 5/8C Jam
	A66500		2000# COUNTERWEIGHT ASS'Y - Includes Items 17 thru 21
17	B43004	1	COUNTERWEIGHT, 1000#
18	66241	1	COUNTERWEIGHT, 1000#
19	1205-133	2	NUT, 1-1/4C Elastic
20	F66099	2	BOLT
21	42395	4	WASHER
	66504	2	WASHER
22	43882	1	FUEL TANK, 60 Gal.
	29021	1	CAP
	204082	1	VENT ASS'Y
24	1245-42	1	SENDING UNIT w/Gasket
25	56199	2	BRACKET
26	1200-98	8	CAPSCREW, 1/2C x 1-1/4
	1209-6	8	PLAINWASHER
	1205-67	8	NUT, 1/2C
27	43238	1	TURNTABLE BEARING
	41837	1	DOWEL PIN, For Above
28	1242-109	22	CAPSCREW, 5/8C x 5-1/2 Gr. 8
29	1209-57	22	WASHER, 5/8 SAE HT
30	1205-195	22	NUT, 5/8C Elastic
31	F54613	1	TURNTABLE MOUNTING BASE
32	1242-108	36	CAPSCREW, 3/4C x 2-1/4 Gr. 8
	1209-58	36	SPECIAL WASHER
33	F43542	1	LADDER
34	43567	2	SPACER
35	1200-100	2	CAPSCREW, 1/2C x 1-1/2 HT
	1209-6	2	PLAINWASHER
	1210-26	2	LOCKWASHER
	1205-58	2	NUT, 1/2C

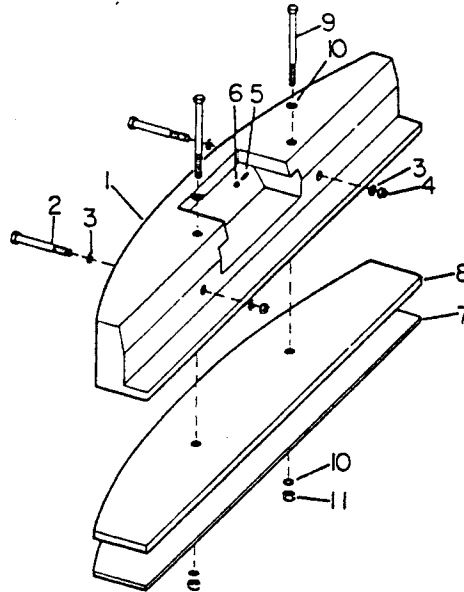
WHEN ORDERING, SPECIFY BANTAM SERIAL NUMBER, PART NUMBER AND NAME OF PART REQUIRED

Model 744
Date Rev. July 1983

MAIN FRAME

Group No. 1
Page 1.3

Ref. No.	Part Number	Quan. Req'd.	Name and Description
36	F42178	2	PIN, Cylinder
37	1209-15	2	LOCKWASHER
38	1205-146	2	NUT, 1-1/2C Elastic
39	39783	1	STEP
40	1205-58	2	NUT, 1/2C
	1209-6	2	PLAINWASHER
	1205-80	2	LOCKNUT, 1/2C



Ref. No.	Part Number	Part Number	Quan. Req'd.	Name and Description
1		66513	1	5000# COUNTERWEIGHT
2		F43024	2	BOLT
3		42395	2	WASHER
4		1205-133	2	NUT, 1-1/4C Elastic
5		1206-73	2	SETScrew, 5/8C x 3 socket hd, flat pt.
6		1205-84	2	NUT, 5/8C Jam
	A66515 (T-744)			1000# COUNTERWEIGHT ASS'Y - Incl. 8 thru 11
		A66517 (C-744)		1500# COUNTERWEIGHT ASS'Y - Incl. 7 thru 11
7	-	705 5278	1	500# COUNTERWEIGHT Replaces 66516
8	705 5283	705 5283	1	1000# COUNTERWEIGHT Replaces 66514
9	F66099	F42951	1	BOLT
10	66504	66504	4	WASHER
11	1205-133	1205-133	2	NUT, 1-1/4C Elastic

WHEN ORDERING, SPECIFY BANTAM SERIAL NUMBER PART NUMBER AND NAME OF PART REQUIRED

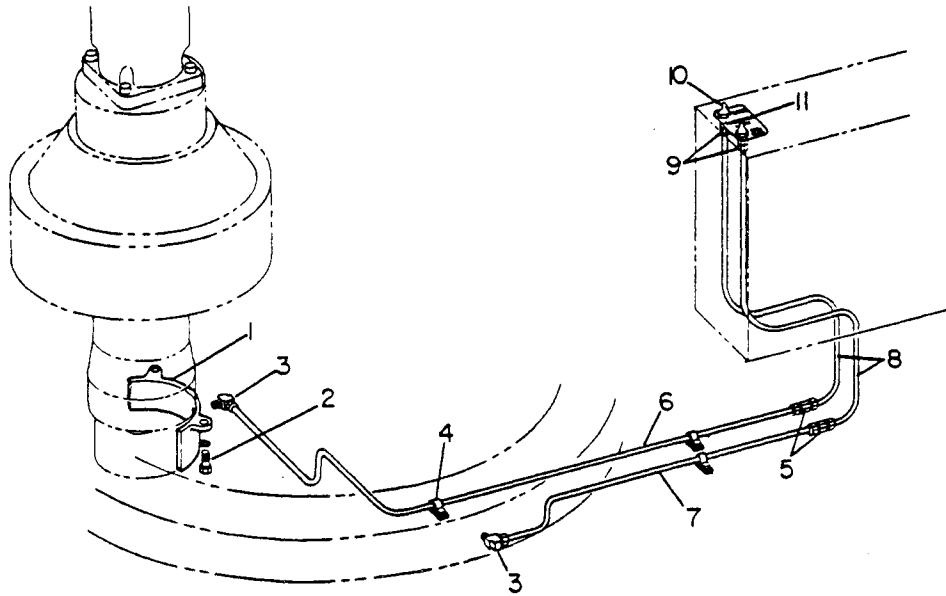
Model 744

Group No. 1

Date 1 OCTOBER 1974

ROTEK LUBRICATOR

Page 1.4



Ref. No.	Part Number	Quan. Req'd.	Name and Description
1	42689	1	LUBRICATION CUP
2	1200-100	2	CAPSCREW, 1/2 UNC x 1 1/2 LG.
	1210-26	2	LOCKWASHER, 1/2 MED.
3	1219-40	2	ELBOW
4	1240-11	3	CLAMP
	1211-1	3	SELF-TAPPING SCREW, #8 x 1/2 LG.
	1210-83	3	LOCKWASHER, #8 INT-EXT
5	1219-899	2	UNION
6	43482	1	TUBE
7	43481	1	TUBE
8	43480	2	TUBE
9	1219-757	2	CONNECTOR
10	1213-1	2	GREASE FITTING, 1/8 NPT
11	12260-258	1	PLATE

WHEN ORDERING, SPECIFY BANTAM SERIAL NUMBER, PART NUMBER AND NAME OF PART REQUIRED

Bantam - Division of Koehring Company - Waverly, Iowa

Model 744

Group No. 2

Date Rev. 1 July 1980

ENGINE - GM 4-53

Page 2.

Ref. No.	Part Number	Part Number	Quan. Req'd.	Name and Description
	Prior to # 62050	Begin W/ # 62050		
25	2929		1	"U" BOLT
	1210-7		2	LOCKWASHER, 5/16 med.
	1205-5		2	NUT, 5/16 UNC
	43811		1	SPACER
26	1291-26		1	GOVERNOR CABLE (Replaces 1291-12)
	1291-77		1	VERNIER GOVERNOR CONTROL - Beg. W/Ser. #6007352
27	1222-232		1	BALL JOINT (Replaces 1291-44, 1222-122)
	1210-17		1	LOCKWASHER
	1205-26		1	NUT
28			1	OIL PRESSURE SENDER
	See			
29	Group		1	OIL PRESSURE SWITCH
	6			
30			1	TEMPERATURE SENDER
	1			
31	A203381	705 5554	1	RADIATOR
	200501	200501	1	CAP, Radiator, 7#
		1219-551	1	PLUG
				A203381 KIT Replaces 43006 Prior to Ser. #62050, Includes Items 32, 43, 44
32	F43970	705F5270	1	SHROUD
33	46440		1	OIL COOLER
34	1200-57		14	CAPSCREW, 3/8 UNC x 3/4
	1210-20		14	LOCKWASHER, 3/8
	1205-45		6	NUT, 3/8 UNC
35	43422		2	SPACER
36	1200-61		5	CAPSCREW, 3/8 UNC x 1-1/4
	1205-45		5	NUT, 3/8 UNC Elastic
37	4059		2	PAD
	1205-90		2	NUT, 5/8 UNC Elastic
38	43386		2	STRIP (27-7/8" Lg.)
	F46854		1	BRACKET
	46857		AR	STRIP (21-1/2" Straight)
	46858		1	STRIP (Offset)
39	1200-1		12	CAPSCREW, 1/4 UNC x 3/4
	1210-14		12	LOCKWASHER, 1/4 med.
40	1244-136		1	UPPER HOSE (Replaces 1244-111)
41	1240-77		4	CLAMP
42	43738		1	LOWER HOSE
43	F43402	705F5556	1	PLATE
44	F43401	705F5555	1	PLATE (Opposite)

WHEN ORDERING, SPECIFY BANTAM SERIAL NUMBER, PART NUMBER AND NAME OF PART REQUIRED

Model 744
Date Rev. 1 July 1980

ENGINE - GM 4-53

Group No. 2
Page 2.4

Ref. No.	Part Number	Quan. Req'd.	Name and Description
46	1219-352	1	ADAPTER
47	1219-351	1	ADAPTER
49	1223-483	1	BATTERY CABLE, Ground
50	1223-370	1	BATTERY CABLE, Starter
51		1	WIRE HARNESS - See Electrical Group 6
52	42438	1	BRACKET
53	1200-65	2	CAPSCREW, 3/8 UNC x 1-3/4
	1210-20	2	LOCKWASHER, 3/8 med.
54	54943	1	SPACER
55	18715	1	STARTING AID KIT
56	1200-2	2	CAPSCREW, 1/4 UNF x 3/4
	1210-14	2	LOCKWASHER, 1/4 med.
	1205-14	2	NUT, 1/4 UNF
57	1243-24	1	AIR CLEANER - See Page 2C.3
58	1243-25	1	STACK CAP
59	1243-21	2	MOUNTING BRACKET
60	1200-59	4	CAPSCREW, 3/8 UNC x 1
	1210-20	4	LOCKWASHER, 3/8 med.
	1205-36	4	NUT, 3/8 UNC
61	1243-51	1	ADAPTER
62	1240-81	2	CLAMP
63	F43307	1	TUBE
	1243-50	1	RESTRICTION INDICATOR, For Above
64	35254	1	GASKET
65	1200-31	4	CAPSCREW, 5/16 UNC x 1
	1210-17	4	LOCKWASHER, 5/16 med.
66	F43305	1	ADAPTER
67	35225	1	GASKET
68	18409	4	STUD
	1205-170	4	NUT, Brass
69	1240-47	1	CLAMP
70	1256-47	1	MUFFLER
71	1222-183	1	RAIN CAP
72	A35381-1	1	CRADLE

WHEN ORDERING SPECIFY BANTAM SERIAL NUMBER, PART NUMBER AND NAME OF PART REQUIRED.

Model 744

Group No. 2

Date Rev. July 1983

ENGINE - GM 4-53

Page 2.5

Ref. No.	Part Number	Quan. Req'd.	Name and Description
73	A35382-1	1	STRAP
	1210-17	2	LOCKWASHER, 5/16 med.
	1205-25	2	NUT, 5/16 UNC
74	A27231	1	MOUNT KIT
78	A43384	1	HOSE ASSEMBLY, Fuel Supply
79	A43383	1	HOSE ASSEMBLY, Fuel Return
80	1219-775	2	ADAPTER
82	1240-60	1	CLAMP
83	1240-49	2	CLAMP
84	F43925	1	MOUNT
85	1200-100	4	CAPSCREW, 1/2 UNC x 1-1/2 HT
	1205-65	4	NUT, 1/2 UNC
86	26789	1	SECONDARY FUEL FILTER
	26790	1	PRIMARY FUEL FILTER
	13414	1	OIL FILTER
	203688	1	SECONDARY FUEL FILTER
	203689	1	PRIMARY FUEL FILTER
	203690	1	OIL FILTER

| Element

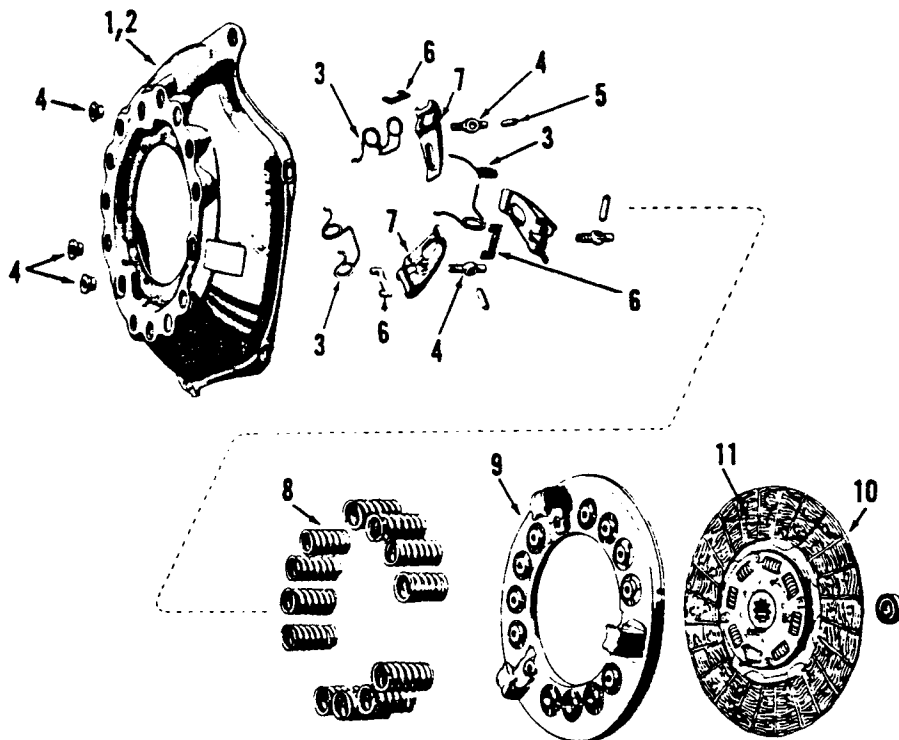
| Spin-On

WHEN ORDERING, SPECIFY BANTAM SERIAL NUMBER, PART NUMBER AND NAME OF PART REQUIRED

Model 744
Date 1 OCTOBER 1974

CLUTCH - GM 4-53, AC 2900

Group No. 2
Page 2.6



Ref. No.	Part Number	Quan. Req'd.	Name and Description
	43212	1	CLUTCH ASSEMBLY, INCLUDES ITEMS 1 THRU 11
1	22192	1	COVER ASSEMBLY, INCLUDES ITEMS 2 THRU 9
2	22193	1	COVER & STRAP ASSEMBLY
	22194	4	SCREW, STRAP
	22195	4	FERRULE, STRAP
3	22196	4	ANTI-RATTLE SPRING
4	22197	4	EYE BOLT & NUT
5	22198	4	EYE BOLT PIN
6	22199	4	RELEASE LEVER STRUT
7	22200	4	RELEASE LEVER
8	22201	8	SPRING
8	22202	8	SPRING
9	22203	1	PRESSURE PLATE
10	27121	1	DRIVEN PLATE ASSEMBLY (FACING ATTACHED)
11	27122	1	FACING KIT, INCLUDES 2 PIECES OF FACING AND 60 RIVETS

WHEN ORDERING, SPECIFY BANTAM SERIAL NUMBER, PART NUMBER AND NAME OF PART REQUIRED