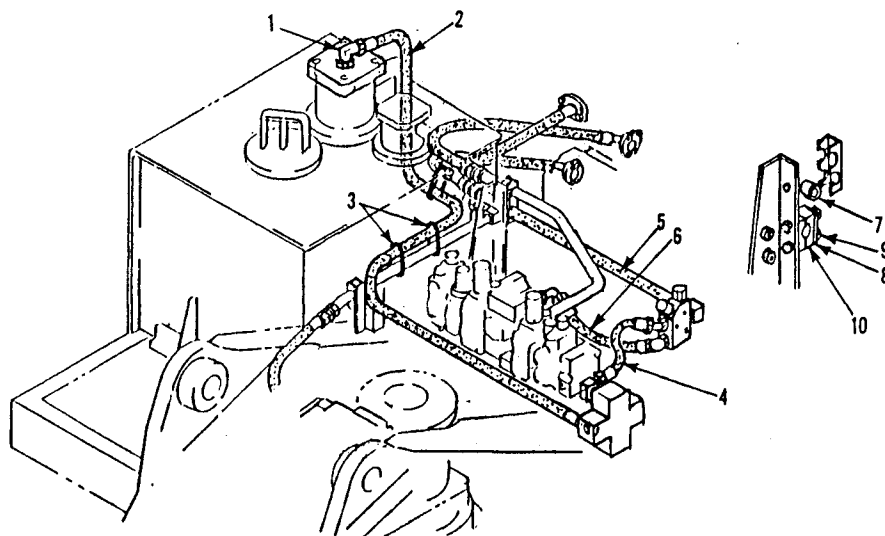


PARTS SHOWN SUPERSEDE  
RESPECTIVE PARTS ON  
PAGES 25.10 & 25.11



SEE PAGE 1.12A FOR  
TRACTION PIPING  
Model 6638L Only

REF.	PART NO.	DESCRIPTION	QTY.
1	376 1100	Elbow	1
2	708 7431-102	Hose	1
3	445V2406	Strap	3
4	708 7428-21	Hose	1
5	708 7429-74	Hose	1
6	708 7429-21	Hose	1
7	200B0007-7	Spacer, Pipe	1
8	364A5588	Plate	1
9	310V3180	Capscrew, 5/8C x 3-3/4	2
	340V3127		Nut, 5/8C
10	372V1520	Cushion	2

WHEN ORDERING PARTS, SPECIFY MODEL NUMBER, SERIAL NUMBER AND DESCRIPTION OF PART REQUIRED



HYDRAULIC SYSTEM  
Swing & Traction

DATE: Issued 9-85

MODEL: 6633L 6638L

PAGE 25.11A

GROUP

**25**

⊗ DISCONTINUED PART! REFER TO NUMERICAL PARTS LIST FOR REPLACEMENT PART(S)