

KOEHRING®

6605

HYDRAULIC EXCAVATOR

Serial No. _____

NOTE TO THE DISTRIBUTOR:

ORDER PARTS FROM

KOEHRING CRANES & EXCAVATORS
AMCA INTERNATIONAL
WAVERLY OPERATIONS
106 12TH STREET S.E.
WAVERLY, IA 50677-9466



**KOEHRING CRANES
& EXCAVATORS
AMCA
INTERNATIONAL**

Litho In USA

Part No. 12261-87



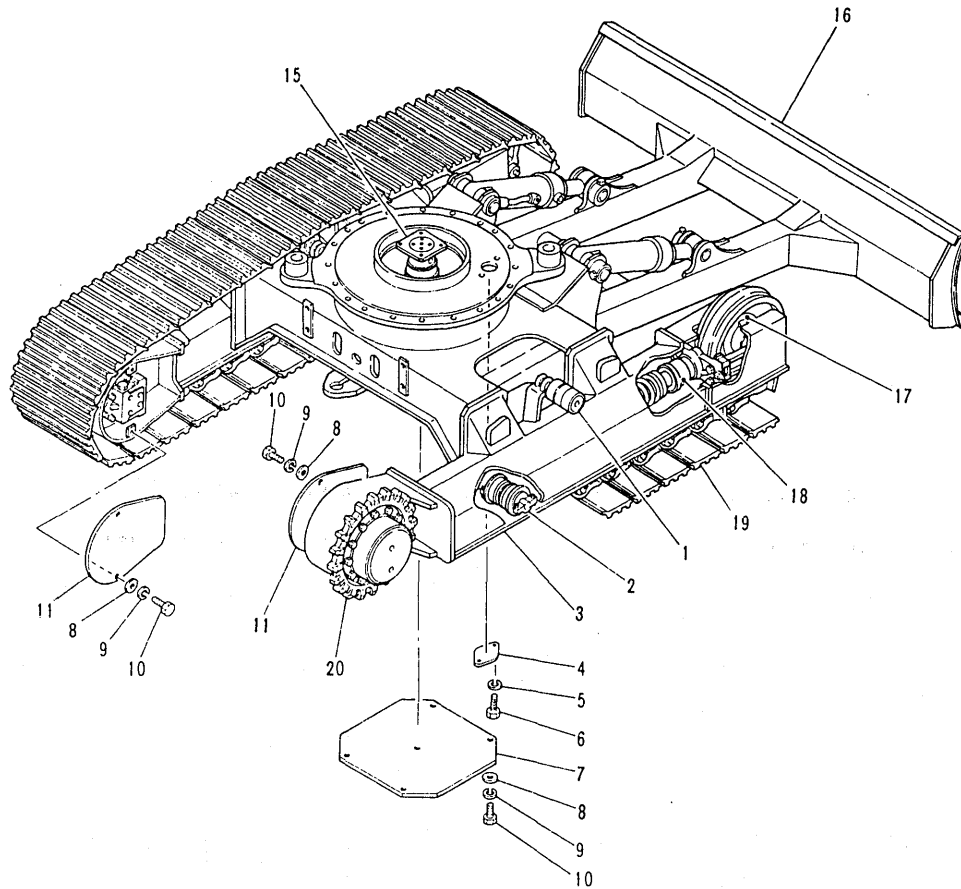
**KOEHRING CRANES
& EXCAVATORS
AMCA
INTERNATIONAL**

PARTS GROUPS

DESCRIPTION	GROUP NO.
Crawler & Carbody	1
Upper Structure, Turntable	12
Counterweight	13
Upper Engine, Fuel Tank	14
Swing System	22
Pump Drive	24
Hydraulic System	25
Operator's Cab & Machinery Housing	27
Operator's Controls	28
Mirrors	29
Marking	30
Heating & Air Conditioning	31
Electrical System	33
Tools	35
Excavator Attachment	36
Blade Attachment	46
Attachment Options	50

NOTE:

Block numbers correspond to group block numbers on parts pages.



REF.	PART NO.	DESCRIPTION	QTY.	SERIAL NO.	REMARKS
1	730 3586	ROLLER ASS'Y, UPPER	2	108171-	
2	730 3075	ROLLER ASS'Y, LOWER	10	108301-	
3	730 3399	FRAME, LOWER	1	108301-108450	
3-1	730 4790	FRAME, LOWER	1	108451-	
4	730 3486	COVER	1	1081-	
5	730 0217	WASHER, LOCK	2	1081-	M8
6	730 0042	BOLT, HEX	2	1081-	M8 x 10
7	730 3490	COVER	1	108301-	
8	730 0882	WASHER, FLAT	8	1081-	
9	730 0218	WASHER, LOCK	8	1081-	
10	730 0077	BOLT, HARDENED	8	1081-	M10 x 20
11	730 3491	COVER, MOTOR	2	108301-	
15	730 3590	FITTING, ROTARY JOINT	1	108301-	
16	730 3595	DEVICE, BLADE ATT.	1	108301-	
17	730 3587	IDLER ASS'Y, FRONT	2	108301-	
18		ADJ, DEVICE, CRAWLER SHOE	2	108301-	
19	730 4516	SHOE ASS'Y, CRAWLER (15.75")	2	108301-	
19-1	730 4477	SHOE ASS'Y, CRAWLER (21.65")	2	108301-	
19-2	730 4773	SHOE ASS'Y, CRAWLER (FLAT)	2	108301-	
20	730 3588	DRIVE DEVICE, TRACTION	2	108301-	

WHEN ORDERING PARTS, SPECIFY MODEL NUMBER, SERIAL NUMBER AND DESCRIPTION OF PART REQUIRED



**KOEHRING CRANES
& EXCAVATORS**
AMCA
INTERNATIONAL

CRAWLER ASSEMBLY

DATE: Revised 10-85

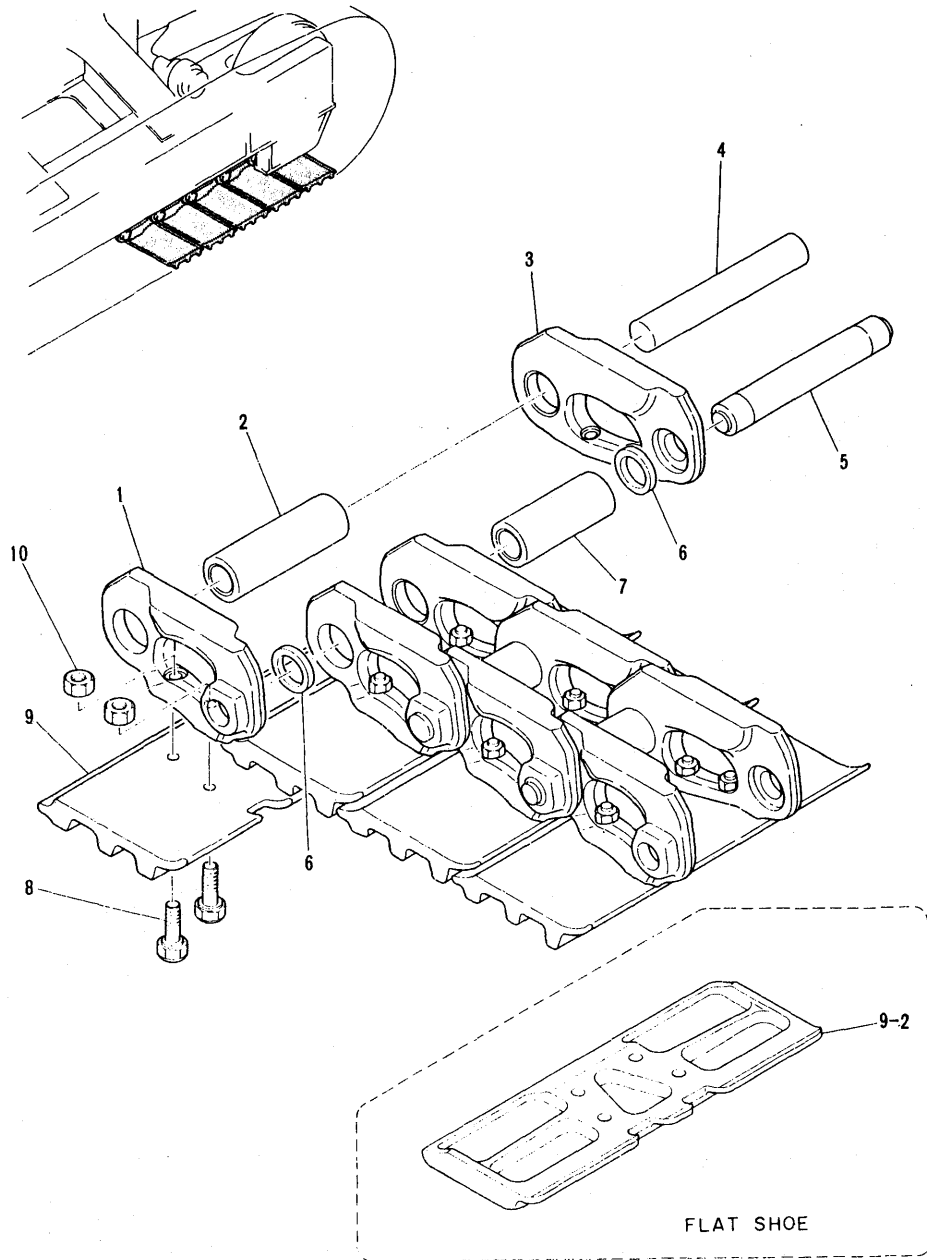
MODEL: 6605

PAGE 1.1

GROUP

1

⊗ DISCONTINUED PART! REFER TO NUMERICAL PARTS LIST FOR REPLACEMENT PART(S)



REF.	PART NO.	DESCRIPTION	QTY.	SERIAL NO.	REMARKS
0	730 4516	SHOE ASS'Y, CRAWLER	2	108301-	15.75"
0-1	730 4477	SHOE ASS'Y, CRAWLER	2	108301-	21.65"
0-2	730 4773	SHOE ASS'Y, CRAWLER	2	108301-	FLAT
0-3	730 4476	LINK ASS'Y	1	108301-	
1	730 4473	LINK (L.H.)	39	108301-	
2	730 3056	BUSHING, TRACK	38	1081-	
3	730 4474	LINK (R.H.)	39	108301-	
4	730 4468	PIN, TRACK	38	1081-	
5	730 4469	PIN, MASTER	1	1081-	
6	730 4470	COLLAR, MASTER	2	1081-	
7	730 4467	BUSHING, MASTER	1	1081-	
8	730 3061	BOLT, SHOE	156	1081-	
8-1	730 4605	BOLT, SHOE	156	1081-	FLAT
9	730 4475	PLATE, SHOE	39	108301-	15.75"
9-1	730 4472	PLATE, SHOE	39	1081-	21.65"
9-2	730 4772	PLATE, SHOE	39	1081-	FLAT
10	730 3062	NUT, SHOE	156	1081-	

WHEN ORDERING PARTS, SPECIFY MODEL NUMBER, SERIAL NUMBER AND DESCRIPTION OF PART REQUIRED



**KOEHRING CRANES
& EXCAVATORS**
AMCA
INTERNATIONAL

CRAWLER SHOE ASSEMBLY

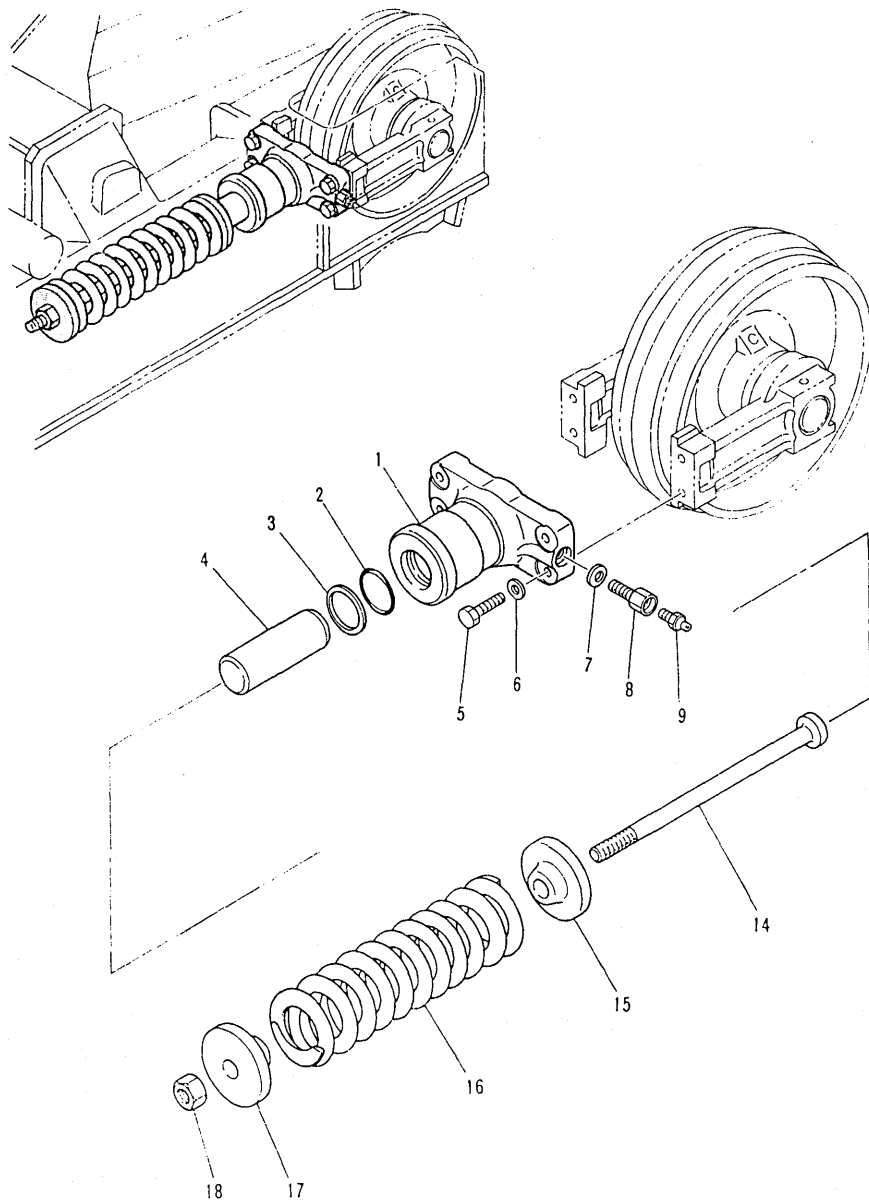
DATE: Revised 10-85

MODEL: 6605

PAGE 1.2

GROUP

1



REF	PART NO	DESCRIPTION	QTY	SERIAL NO	REMARKS
1	730 3560	CYLINDER, GREASE	1	108301	
2	730 3251	RING, O	1	1081	P50-90B
3	730 3257	RING, BACK-UP	1	1081	SUN-2BP-50
4	730 3561	PISTON	1	108301	
5	730 0111	BOLT, HARDENED	4	108301	M12x50 P-1.25
6	730 0235	WASHER, HARDENED	4	1081	M12
7	730 1278	PACKING, COPPER	1	1081	
8	730 1030	VALVE, CHECK	1	1081	
9	730 0395	NIPPLE, GREASE	1	1081	PT1/8
14	730 3291	BOLT, ADJUST	1	108301	
15	730 3524	RETAINER, SPRING	1	108301	
16	730 4501	SPRING	1	1081	
17	730 3523	RETAINER, SPRING	1	108301	
18	730 2893	NUT, HEX.	1	1081	M20

WHEN ORDERING PARTS, SPECIFY MODEL NUMBER, SERIAL NUMBER AND DESCRIPTION OF PART REQUIRED



**KOEHRING CRANES
& EXCAVATORS**
AMCA
INTERNATIONAL

CRAWLER SHOE ADJUSTING ASSEMBLY

DATE: Issued 12-84

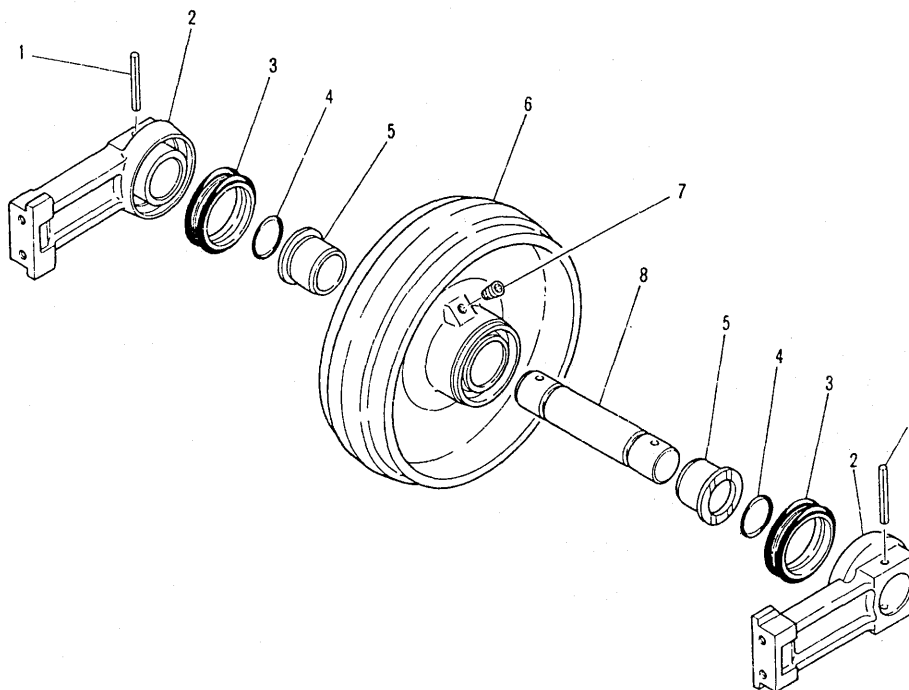
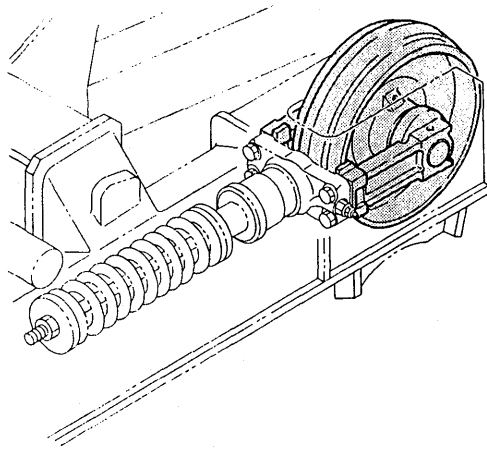
MODEL: 6605

PAGE 1.3

⊗ DISCONTINUED PART! REFER TO NUMERICAL PARTS LIST FOR REPLACEMENT PART(S)

GROU

1



REF	PART NO	DESCRIPTION	QTY	SERIAL NO	REMARKS
1	730 3006	PIN, SPRING	2	108301	
2	730 3476	BLOCK, BEARING	2	108301	
3	730 3258	SEAL, FLOATING	2	108301	
4	730 0749	RING, O	2	108301	G45-90B
5	730 3347	BUSHING	2	108301	
6	730 3408	IDLER, FRONT	1	108301	
7	730 0361	PLUG	2	1081	ST-PA-1/8
8	730 3312	PIN	1	108301	

WHEN ORDERING PARTS, SPECIFY MODEL NUMBER, SERIAL NUMBER AND DESCRIPTION OF PART REQUIRED



**KOEHRING CRANES
& EXCAVATORS**
AMCA
INTERNATIONAL

FRONT IDLER ASSEMBLY

DATE: Issued 12-84

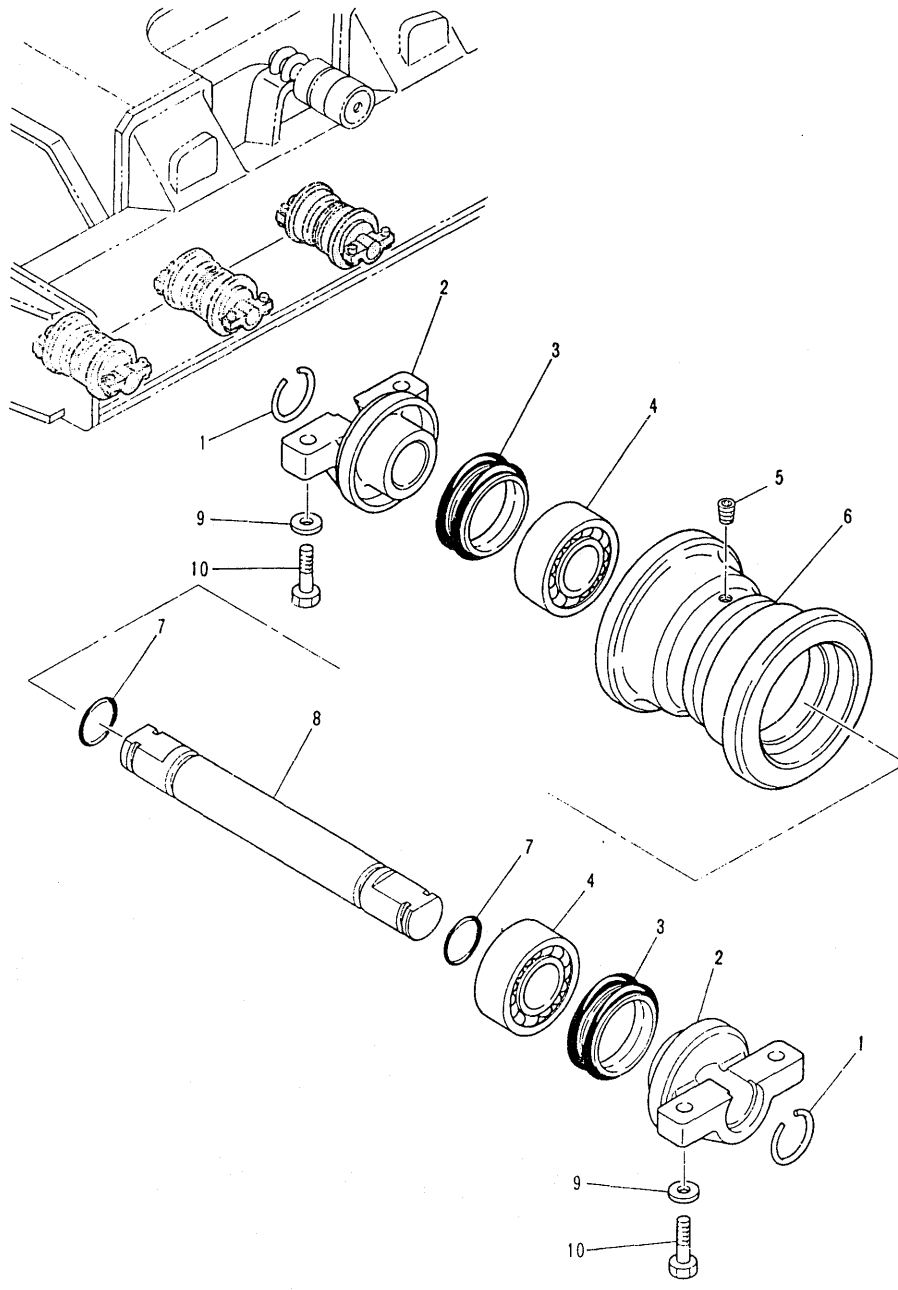
MODEL: 6605

PAGE 1.4

GROUP

1

⊗ DISCONTINUED PART! REFER TO NUMERICAL PARTS LIST FOR REPLACEMENT PART(S)



REF	PART NO	DESCRIPTION	QTY	SERIAL NO	REMARKS
0	730 3075	ROLLER ASS'Y, LOWER	10	108301	INCL. 1 - 8
1	730 3074	WIRE, SNAP	2	108301	
2	730 4479	COLLAR	2	108301	
3	730 4483	SEAL, PIVOT	2	108301	
4	730 4517	BEARING	2	108301	#5207
5	730 0361	PLUG	1	108301	PT/18
6	730 3069	ROLLER	1	108301	
7	730 0746	RING, O	2	108301	G30-90B
8	730 4478	SHAFT	1	108301	
9	730 0235	WASHER, HARDENED	40	108301	M12
10	730 0082	BOLT, HARDENED	10	108301	M12x35

WHEN ORDERING PARTS, SPECIFY MODEL NUMBER, SERIAL NUMBER AND DESCRIPTION OF PART REQUIRED



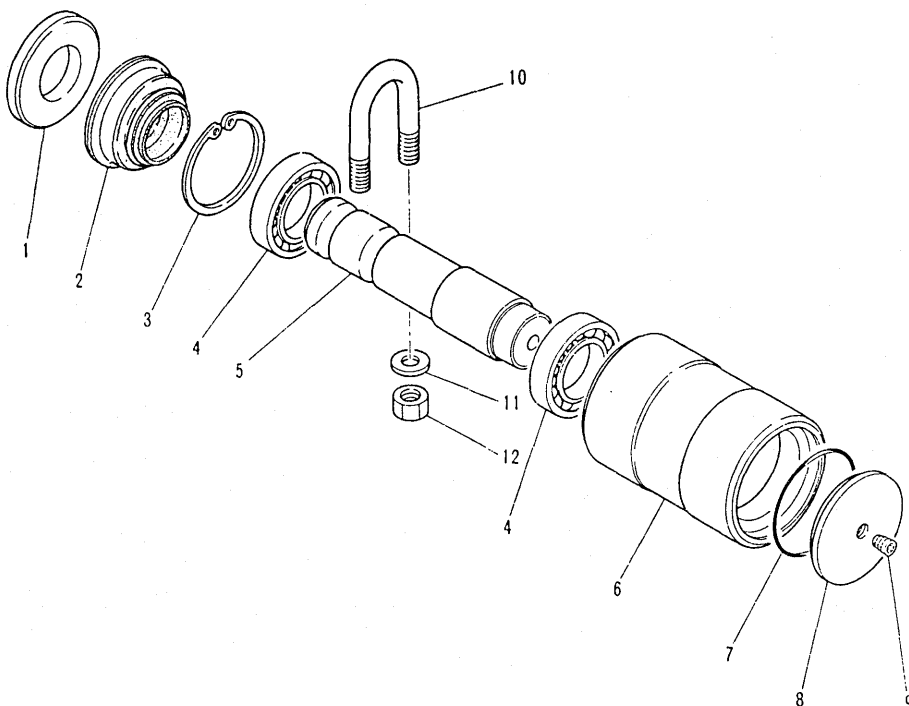
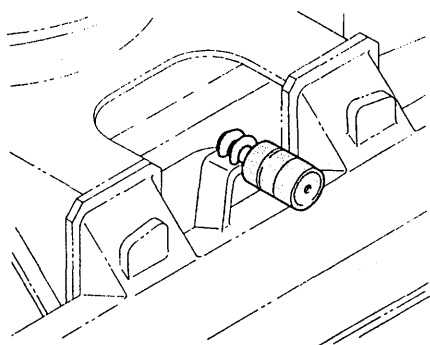
LOWER ROLLER ASSEMBLY

DATE: Issued 12-84
MODEL: 6605

GROUP
1

PAGE 1.5

⊗ DISCONTINUED PART! REFER TO NUMERICAL PARTS LIST FOR REPLACEMENT PART(S)



REF.	PART NO.	DESCRIPTION	QTY.	SERIAL NO.	REMARKS
0	730 3586	ROLLER ASS'Y, UPPER	2	108171-	INCL. 1 - 9
1	730 3298	WASHER	1	108171-	
2	730 3254	SEAL	1	1081-	
3	730 2988	RING, SNAP	1	1081-	62°
4	730 4453	BEARING	2	1081-	#6007
5	730 3405	SHAFT, ROLLER	1	109171-	
6	730 3337	ROLLER	1	108171-	
7	730 0751	RING, O	1	108171-	G65-90B
8	730 3488	COVER	1	108171-	
9	730 0361	PLUG	1	1081-	
10	730 3288	BOLT, U	4	108171-108450	
10-1	730 4627	BOLT, U	4	108451-	
11	730 0235	WASHER, HARDENED	8	108171-	M12
12	730 0210	NUT, HARDENED	8	108171-	M12

WHEN ORDERING PARTS, SPECIFY MODEL NUMBER, SERIAL NUMBER AND DESCRIPTION OF PART REQUIRED



**KOEHRING CRANES
& EXCAVATORS
AMCA
INTERNATIONAL**

UPPER ROLLER ASSEMBLY

DATE: Revised 10-85

MODEL: 6605

PAGE 1.6

GROUP

1

⊗ DISCONTINUED PART! REFER TO NUMERICAL PARTS LIST FOR REPLACEMENT PART(S)