

# HYDRAULIC EXCAVATOR

## SHOP MANUAL model **SK70SR-1E**

### INDEX

1	SPECIFICATIONS SECTION
2	MAINTENANCE SECTION
3	SYSTEM SECTION
4	DISASSEMBLY SECTION
5	TROUBLESHOOTING
6	ENGINE SECTION
7	PROCEDURE OF INSTALLING OPTIONS SECTION

SPECIFICATIONS

MAINTENANCE

SYSTEM

DISASSEMBLING

TROUBLESHOOTING

# KOBELCO

Book Code No. **S5YT0002E** ③

00-0-1 ②





# WARNING



## SAFETY



### WARNING



The proper and safe lubrication and maintenance for this machine, recommended by KOBELCO are outlined in the OPERATION & MAINTENANCE GUIDE for this machine.

Improper performance of lubrication or maintenance procedures is dangerous and could result in injury or death. Read and understand the OPERATION & MAINTENANCE GUIDE before performing any lubrication or maintenance.

The serviceman or mechanic may be unfamiliar with many of the systems on this machine. This makes it important to use caution when performing service work. A knowledge of the system and or components is important before the removal or disassembly of any component.

Because of the size of some of the machine components, the serviceman or mechanic should check the weights noted in this Manual. Use proper lifting procedures when removing any components.

Following is a list of basic precautions that should always be observed.

1. Read and understand all Warning plates and decals on the machine before operating, lubricating or repairing this product.
2. Always wear protective glasses and protective shoes when working around machines. In particular, wear protective glasses when pounding on any part of the machine or its attachments with a hammer or sledge. Use welders gloves, hood / goggles, apron and other protective clothing appropriate to the welding job being performed. Do not wear loose-fitting or torn clothing. Remove all rings from fingers when working on machinery.
3. Disconnect battery and discharge any capacitors before starting to work on machine. Hang "Do Not Operate" tag in the Operator's Cab.
4. If possible, make all repairs with the machine parked on a level, hard surface. Block machine so it does not roll while working on or under machine.
5. Do not work on any machine that is supported only by lift jacks or a hoist. Always use blocks or jack stands to support the machine before performing any disassembly.



### WARNING



Do not operate this machine unless you have read and understand the instructions in the OPERATORS MANUAL. Improper machine operation is dangerous and could result in injury or death.

6. Relieve all pressure in air, oil or water systems before any lines, fittings or related items are disconnected or removed. Always make sure all raised components are blocked correctly and be alert for possible pressure when disconnecting any device from a system that utilizes pressure.
7. Lower the bucket, blade, ripper or other attachment to the ground before performing any work on the machine. If this cannot be done, make sure the bucket, blade, ripper or other attachment is blocked correctly to prevent it from dropping unexpectedly.
8. Use steps and grab handles when mounting or dismounting a machine. Clean any mud or debris from steps, walkways or work platforms before using. Always face machine when using steps, ladders and walkways. When it is not possible to use the designed access system, provide ladders, scaffolds, or work platforms to perform safe repair operations.
9. To avoid back injury, use a hoist when lifting components which weigh 23 kg (50 lbs) or more. Make sure all chains, hooks, slings, etc., are in good condition and are in the correct capacity. Be sure hooks are positioned correctly. Lifting eyes are not to be side loaded during a lifting operation.
10. To avoid burns, be alert for hot parts on machines which have just been stopped and hot fluids in lines, tubes and components.
11. Be careful when removing cover plates. Gradually back off the last two bolts or nuts located at opposite ends of the cover or device and pry cover loose to relieve any spring or other pressure, before removing the last two bolts or nuts completely.
12. Be careful when removing filler caps, breathers and plugs on the machine. Hold a rag over the cap or plug to prevent being sprayed or splashed by liquids under pressure. The danger is even greater if the machine has just been stopped because fluids can be hot.



## WARNING



13. Always use tools that are in good condition and be sure you understand how to use them before performing any service work.
14. Reinstall all fasteners with same part number. Do not use a lesser quality fastener if replacements are necessary.
15. Repairs, which require welding, should be performed only with the benefit of the appropriate reference information and by personnel adequately trained and knowledgeable in welding procedures. Determine type of metal being welded and select correct welding procedure and electrodes, rods or wire to provide a weld metal strength equivalent at least to that of parent metal. Always disconnect battery during welding operations to protect sensitive electric equipment.
16. Do not damage wiring during removal operations. Reinstall the wiring so it is not damaged nor will it be damaged in operation by contacting sharp corners, or by rubbing against some object or hot surface. Do not connect wiring to a line containing fluid.
17. Be sure all protective devices including guards and shields are properly installed and functioning correctly before starting a repair. If a guard or shield must be removed to perform the repair work, use extra caution.
18. Loose or damaged fuel, lubricant and hydraulic lines, tubes and hoses can cause fires. Do not bend or strike high-pressure lines or install ones, which have been bent or damaged. Inspect lines, tubes and hoses carefully. Do not check for leaks with your hands. Pinhole (very small) leaks can result in a high velocity oil stream that will be invisible close to the hose. This oil can penetrate the skin and cause personal injury. Use cardboard or paper to locate pinhole leaks.
19. Tighten connections to the correct torque. Make sure that all heat shields, clamps and guards are installed correctly to avoid excessive heat, vibration or rubbing against other parts during operation. Shields that protect against oil spray onto hot exhaust components in event of a line, tube or seal failure must be installed correctly.
20. Do not operate a machine if any rotating part is damaged or contacts any other part during operation. Any high speed-rotating component that has been damaged or altered should be checked for balance before reusing.
21. On track-type machines, be careful when servicing or separating tracks. Chips can fly when removing or installing a track pin. Wear safety glasses and long sleeve shirts. Track can unroll very quickly when separated. Keep away from front and rear of machine. The machine can move unexpectedly when both tracks are disengaged from the sprockets. Block the machine to prevent it from moving.

## SK70SR-1E Index of shop Manual

Book Code No. Issued Year-Month			Title	Index No.
S5YT0102E 2002-01	S5YT0102E ① 2003-10	<b>SPECIFICATIONS</b>	OUTLINE	<b>YT01</b>
S5YT0202E 2002-01	S5YT0202E ① 2003-10		SPECIFICATIONS	<b>YT02</b>
S5YT0302E 2002-01	S5YT0302E ① 2003-10		ATTACHMENT DIMENSIONS	<b>YT03</b>
S5YT1102E 2002-01	S5YT1102E ① 2003-10	<b>MAINTENANCE</b>	TOOLS	<b>YT11</b>
S5YT1202E 2002-01	S5YT1202E ① 2003-10		STANDARD MAINTENANCE TIME SCHEDULE	<b>YT12</b>
S5YT1302E 2002-01	S5YT1302E ① 2003-10		MAINTENANCE STANDARDS AND TEST PROCEDURES	<b>YT13</b>
S5YT2102E 2002-01	S5YT2102E ① 2003-10	<b>SYSTEM</b>	MECHATRO CONTROL SYSTEM	<b>YT21</b>
S5YT2202E 2002-01	S5YT2202E ① 2003-10		HYDRAULIC SYSTEM	<b>YT22</b>
S5YT2302E 2002-01	S5YT2302E ① 2003-10		ELECTRICAL SYSTEM	<b>PJ23</b>
S5YT2402E 2002-01	S5YT2402E ① 2003-10		COMPONENTS SYSTEM	<b>YT24</b>
S5YT2502E 2002-01	S5YT2502E ① 2003-10		AIR-CONDITIONER SYSTEM	<b>YT25</b>
—	—		—	
S5YT3102E 2002-01	S5YT3102E ① 2003-10	<b>DISASSEMBLING</b>	DISASSEMBLING & ASSEMBLING	<b>YT31</b>
S5YT3202E 2002-01	S5YT3202E ① 2003-10		ATTACHMENTS	<b>YT32</b>
S5YT3302E 2002-01	S5YT3302E ① 2003-10		UPPER SWING BODY	<b>YT33</b>
S5YT3402E 2002-01	S5YT3402E ① 2003-10		TRAVEL FRAME	<b>YT34</b>
S5YT4102E 2002-01	S5YT4102E ① 2003-10	<b>TROUBLESHOOTING</b>	MECHATRO CONTROL	<b>YT41</b>
S5YT4202E 2002-01	S5YT4202E ① 2003-10		HYDRAULIC SYSTEM	<b>YT42</b>
S5YT4302E 2002-01	S5YT4302E ① 2003-10		ELECTRICAL SYSTEM	<b>YT43</b>
S5YT4402E 2002-01	S5YT4402E ① 2003-10		ENGINE	<b>YT44</b>
S5YT5102E 2002-01	S5YT5102E ① 2003-10	<b>E/G</b>	ENGINE	<b>YT51</b>
S5YT6302E ① 2002-12	S5YT6302E ② 2003-10	<b>OPT</b>	MOUNTING THE BREAKER AND NIBBLER & BREAKER	<b>YT63</b>
YT02-04001~	YT02-04001~ YT03-05432~		APPLICABLE MACHINES	



# KOBELCO

Book Code No.

S5 **YT01** 02E ①

# SHOP MANUAL **SK70SR-1E** **YT01**

## PRELIMINARY REMARKS

### TABLE OF CONTENTS

1. GENERAL PRECAUTIONS FOR REPAIRS .....	1-1
2. INTERNATIONAL UNIT CONVERSION SYSTEM .....	1-4

# KOBELCO CONSTRUCTION MACHINERY CO., LTD.

Applicable Machines

SK70SR-1E : YT02-04001~  
YT03-05432~

Revision	Date of Issue	Remarks
First edition	January, 2002	S5YT0102E K·E
First revision	October, 2003	S5YT0102E ① K·E



# 1. GENERAL PRECAUTIONS FOR REPAIRS



## 1.1 PREPARATION BEFORE DISASSEMBLING

- (1) Understanding operating procedure  
Read OPERATION & MAINTENANCE MANUAL carefully to understand the operating procedure.
- (2) Cleaning machines  
Remove soil, mud, and dust from the machine before carrying it into the service shop to prevent loss of work efficiency, damage of parts, and difficulty in rust prevention and dust protection while reassembling.
- (3) Inspecting machines  
Identify the parts to be disassembled before starting work, determine the disassembling procedure by yourself considering the workshop situations etc., and request procurement of necessary parts in advance.
- (4) Recording  
Record the following items for communication and prevention of recurring malfunction.
  - 1) Inspection date and place
  - 2) Model name, applicable machine number, and hour meter read
  - 3) Trouble condition, location and cause.
  - 4) Visible Oil leakage, water leakage and damage
  - 5) Clogging of filters, oil level, oil quality, oil contamination and loosening of connections
  - 6) Result of consideration if any problem exists based on the operation rate per month calculated from hour meter indication after the last inspection date.
- (5) Arrangement and cleaning in service shop
  - 1) Tools required for repair work.
  - 2) Prepare space to place the disassembled parts.
  - 3) Prepare oil containers for spilling oil etc.

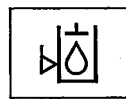


## 1.2 SAFETY IN DISASSEMBLING AND ASSEMBLING

- 1) Wear appropriate clothes with long sleeves, safety shoes, safety helmet and protective glasses.
- 2) Suspend warning tag "DO NOT OPERATE" from the doorknob or the operating lever, and have a preliminary meeting before starting work.
- 3) Stop the engine before starting inspection and maintenance to prevent the operator being

caught in machine.

- 4) Identify the location of a first-aid kit and a fire extinguisher, and also where to make contact in a state of emergency.
- 5) Choose a hard, level and safe place, and place the attachment on the ground securely.
- 6) Use a lifter such as a crane to remove heavy parts (20 kg [45 lbs] or more) from the machine.
- 7) Use proper tools, and replace or repair defective tools.
- 8) Support the machine and attachment with supports or blocks if the work is performed in the lifted condition.



## 1.3 DISASSEMBLING AND ASSEMBLING HYDRAULIC EQUIPMENT

- (1) Removing hydraulic equipment
  - 1) Before disconnecting pipes, release the hydraulic pressure of the system, or open the return side cover and take out the filter.
  - 2) Carefully drain oil of the removed pipes into a containers without spilling on the floor.
  - 3) Apply plugs or caps on the pipe ends to avoid oil spillage and dust intrusion.
  - 4) Clean off the external surface of the equipment before disassembling, and drain hydraulic and gear oil before placing it on the workbench.
- (2) Disassembling hydraulic equipment
  - 1) Do not disassemble, reassemble or modify the hydraulic equipment without the permission of the manufacturer, who is not responsible for the performance and function of the product after reassembling.
  - 2) When disassembling and reassembling for unavoidable reason, refer the work to qualified personnel who have the specific knowledge or completed the parts service training.
  - 3) Provide matching marks to facilitate reassembling work.
  - 4) Before starting the work, read the manual of disassembling procedure, if it is provided, and decide whether the work can be performed by yourself.
  - 5) Use the special jig and tools without fail if they are specified.
  - 6) If it is hard to remove a part according to the procedure, do not try it by force but investigate the cause.

- 7) Place the removed parts in order and attach tags to facilitate the reassembling.
- 8) Note the location and quantity of parts commonly applied to multiple locations.

(3) Inspecting parts

- 1) Ensure that the disassembled parts are free from seizure, interference and uneven contact.
- 2) Measure and record wear condition of parts and clearance.
- 3) If the problem is found in a part, repair or replace it with a new one.

(4) Reassembling hydraulic equipment

- 1) Turn ON the ventilation fan or open windows to maintain good ventilation prior to starting the cleaning of parts.
- 2) Perform rough and finish cleaning before assembling.
- 3) Remove washing oil by air and apply clean hydraulic or gear oil for assembling.
- 4) Always replace the removed O-rings, backup rings and oil seals with new ones by applying grease in advance.
- 5) Remove dirt and moisture from and perform degreasing on the surface where liquid gasket to be applied.
- 6) Remove rust preventive agent from the new parts before use.
- 7) Fit bearings, bushings and oil seals using special jigs.
- 8) Assemble the parts utilizing matching marks.
- 9) Ensure all the parts are completely assembled after the work.

(5) Installing hydraulic equipment

- 1) Ensure hydraulic oil and lubricant are properly supplied.
- 2) Perform air releasing when:
  - a. Hydraulic oil changed
  - b. Parts of suction side piping replaced
  - c. Hydraulic pump installed
  - d. Slewing motor installed
  - e. Travel motor installed
  - f. Hydraulic cylinder installed

**!** • Operation of the hydraulic equipment without filling hydraulic oil or lubricant or without performing air releasing will result in damage to the equipment.

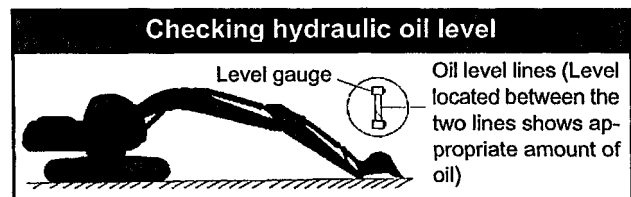
- 3) Perform air releasing after loosening the upper drain plug, starting the engine and keep it in

low idle condition. Complete the air releasing when seeping of hydraulic oil is recognized, and tightly plug.

- 4) Perform air releasing of the travel motor and the hydraulic cylinders by running the engine for more than 5 minutes at low speed without load.

**!** • Do not allow the hydraulic cylinder to bottom on the stroke end just after the maintenance.

- 5) Perform air releasing of pilot line by performing a series of digging, slewing and travel.
- 6) Check hydraulic oil level after placing the attachment to the oil check position, and replenish oil if necessary.



#### 1.4 ELECTRICAL EQUIPMENT

- (1) Do not disassemble electrical equipment.
- (2) Handle it carefully not to drop and give a shock.
- (3) Turn the key OFF prior to connecting and disconnecting work.
- (4) Disconnect the connector by holding it and pressing the lock. Do not pull the wire to apply force to the caulking portion.
- (5) Connect the connector and ensure it is completely locked.
- (6) Turn the key OFF prior to touching the terminal of starter or generator.
- (7) Remove the ground (earth) terminal of battery when handling tools around the battery or its relay.
- (8) Do not splash water on the electrical equipment and connectors during machine washing.
- (9) Check for moisture adhesion inside the waterproof connector after pulling it out, since it is hard to remove moisture from the connector. If moisture adhesion is found, dry it completely before the connection.



- Battery electrolyte is hazardous. Battery electrolyte is dilute sulfuric acid. Exposure of skin or eyes to this liquid will cause burning or loss of eyesight. If the exposure occurs, take the following emergency measures and seek the advice of a medical specialist.

- When skin exposed: Wash with water and soap sufficiently.
- When eyes exposed: Immediately wash away with city water continuously for more than 10 minutes.
- When a large amount of the liquid flows out: Neutralize with sodium bicarbonate or wash away with city water.
- When swallowed: Drink a large amount of milk or water.
- When clothes exposed: Immediately undress and wash.



### 1.5 HYDRAULIC PARTS

- 1) O-ring
  - Ensure O-rings have elasticity and are not damaged before use.
  - Use the appropriate O-rings. O-rings are made of various kinds of materials having different hardness to apply to a variety of parts, such as the part for moving or fixed portion, subjected to high pressure, and exposed to corrosive fluid, even if the size is same.
  - Fit the O-rings without distortion and bend.
  - Always handle floating seals as a pair.
- 2) Flexible hose (F hose)
  - Use the appropriate parts. Different parts are used depending on the working pressure even the size of fitting and the total length of the hose is same.
  - Tighten the fitting at the specified torque. Ensure no kink, tension, interference nor oil leakage is recognized.

### 1.6 WELDING REPAIR

- (1) Refer repair welding to qualified personnel according to the appropriate procedure.
- (2) Disconnect the ground (earth) cable of the battery before starting the repair. Failure to do so will cause damage to the electrical equipment.
- (3) Move away the articles in advance that may cause fire if exposed to sparks.

- (4) Before starting the repair of the attachment, do not fail to cover the plated surface of the piston rod with flameproof sheet to prevent it from being exposed to sparks.

### 1.7 ENVIRONMENTAL MEASURE

- (1) Run the engine at the place that is sufficiently ventilated.
- (2) Industrial waste disposal  
Dispose of the following parts according to the relevant regulations:  
Waste oil and waste container  
Battery
- (3) Precautions for handling hydraulic oil  
Exposure of eyes to hydraulic oil will cause inflammation. Wear protective glasses before handling to avoid an accident. If an eye is exposed to the oil, take the following emergency measures:
  - When an eye exposed: Immediately wash away with city water sufficiently till stimulative feeling vanishes.
  - When swallowed: Do not let vomit, and receive medical treatment immediately.
  - When skin exposed: Wash with water and soap sufficiently.
- (4) Others  
Use replacement parts and lubricants

## 2. INTERNATIONAL UNIT CONVERSION SYSTEM

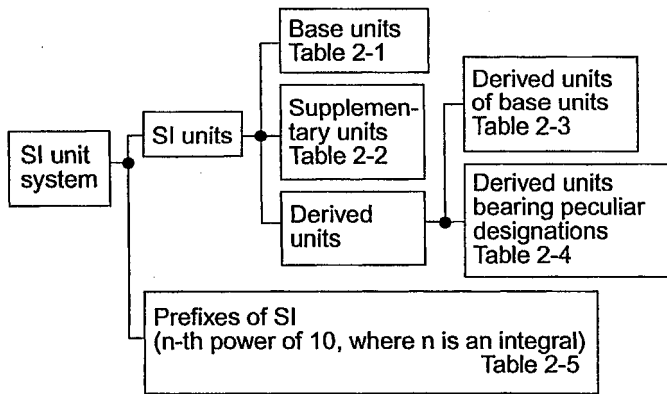
(Based on MARKS' STANDARD HANDBOOK FOR MECHANICAL ENGINEERS)

### Introduction

Although this manual uses the JIS unit system, if you need SI unit, refer to the following international system of units.

Given hereinafter is an excerpt of the units that are related to this manual :

1. Etymology of SI Units  
 French:Le Système International d' Unités  
 English:International System of Units
2. Construction of SI Unit System



### (1)Base Units [ Table 2-1 ]

QUANTITY	UNIT	SYMBOL
Length	metre	m
Mass	kilogram	kg
Time	second	s
Electric current	ampere	A
Thermodynamic temperature	kelvin	K
Amount of substance	mol	mol
Luminous intensity	candela	cd

### (2)Supplementary Units [ Table 2-2 ]

QUANTITY	UNIT	SYMBOL
Plane angle	radian	rad
Solid angle	steradian	sr

### (3)Derived Units [ Table 2-3 ]

QUANTITY	UNIT	SYMBOL
Area	square metre	m <sup>2</sup>
Volume	cubic metre	m <sup>3</sup>
Velocity	metre per second	m/s
Acceleration	metre per second squared	m/s <sup>2</sup>
Density	kilogram per cubic metre	kg/m <sup>3</sup>

### (4)Derived Units bearing Peculiar Designations [ Table 2-4 ]

QUANTITY	UNIT	SYMBOL	FORMULA
Frequency	Hertz	Hz	1/s
Force	Newton	N	kg·m/s <sup>2</sup>
Pressure and Stress	Pascal	Pa	N/m <sup>2</sup>
Energy, Work and Quantity of heat	Joule	J	N·m
Power	Watt	W	J/s
Quantity of electricity	Coulomb	C	A·s
Electric potential difference, Voltage, and Electromotive force	Volt	V	W/A
Quantity of static electricity and Electric capacitance	Farad	F	C / V
Electric resistance	Ohm	Ω	V / A
Celcius temperature	Celcius degree or degree	°C	(t+273.15)K
Illuminance	Lux	lx	lm/m <sup>2</sup>

### (5)Prefixes of SI [ Table 2-5 ]

PREFIX	SYMBOL	MULTIPLICATION FACTORS
Giga	G	10 <sup>9</sup>
Mega	M	10 <sup>6</sup>
Kilo	k	10 <sup>3</sup>
Hecto	h	10 <sup>2</sup>
Deca	da	10
Deci	d	10 <sup>-1</sup>
Centi	c	10 <sup>-2</sup>
Milli	m	10 <sup>-3</sup>
Micro	μ	10 <sup>-6</sup>
Nano	n	10 <sup>-9</sup>
Pico	p	10 <sup>-12</sup>

### (6)Unit Conversion [ Table 2-6 ]

QUANTITY	JIS	SI	CONVERSION FACTOR
Weight	kgf	—	
Mass	—	kg	
Force	kgf	N	1 kgf=9.807 N
Torque	kgf·m	N·m	1 kgf·m=9.807 N·m
Pressure	kgf/cm <sup>2</sup>	MPa	1 kgf/cm <sup>2</sup> =0.09807 MPa
Motive power	PS	kW	1 PS=0.7355 kW
Revolution	rpm	min <sup>-1</sup>	r/min *1

\*1 Units that are allowed to use

# KOBELCO

Book Code No.

S5 **YT02**<sub>02E</sub> ①

# SHOP MANUAL **SK70SR-1E** **YT02**

## — SPECIFICATIONS —

### TABLE OF CONTENTS

1. NAME OF COMPONENTS .....	1-1
2. MACHINE DIMENSIONS .....	1-2
3. WEIGHT OF COMPONENTS .....	1-3
4. TRANSPORTATION DIMENSION & WEIGHT .....	1-4
5. SPECIFICATIONS & PERFORMANCE .....	1-7
6. TYPE OF CRAWLER .....	1-8
7. TYPE OF BUCKET .....	1-9
8. COMBINATIONS OF ATTACHMENT .....	1-10
9. ENGINE SPECIFICATION .....	1-11

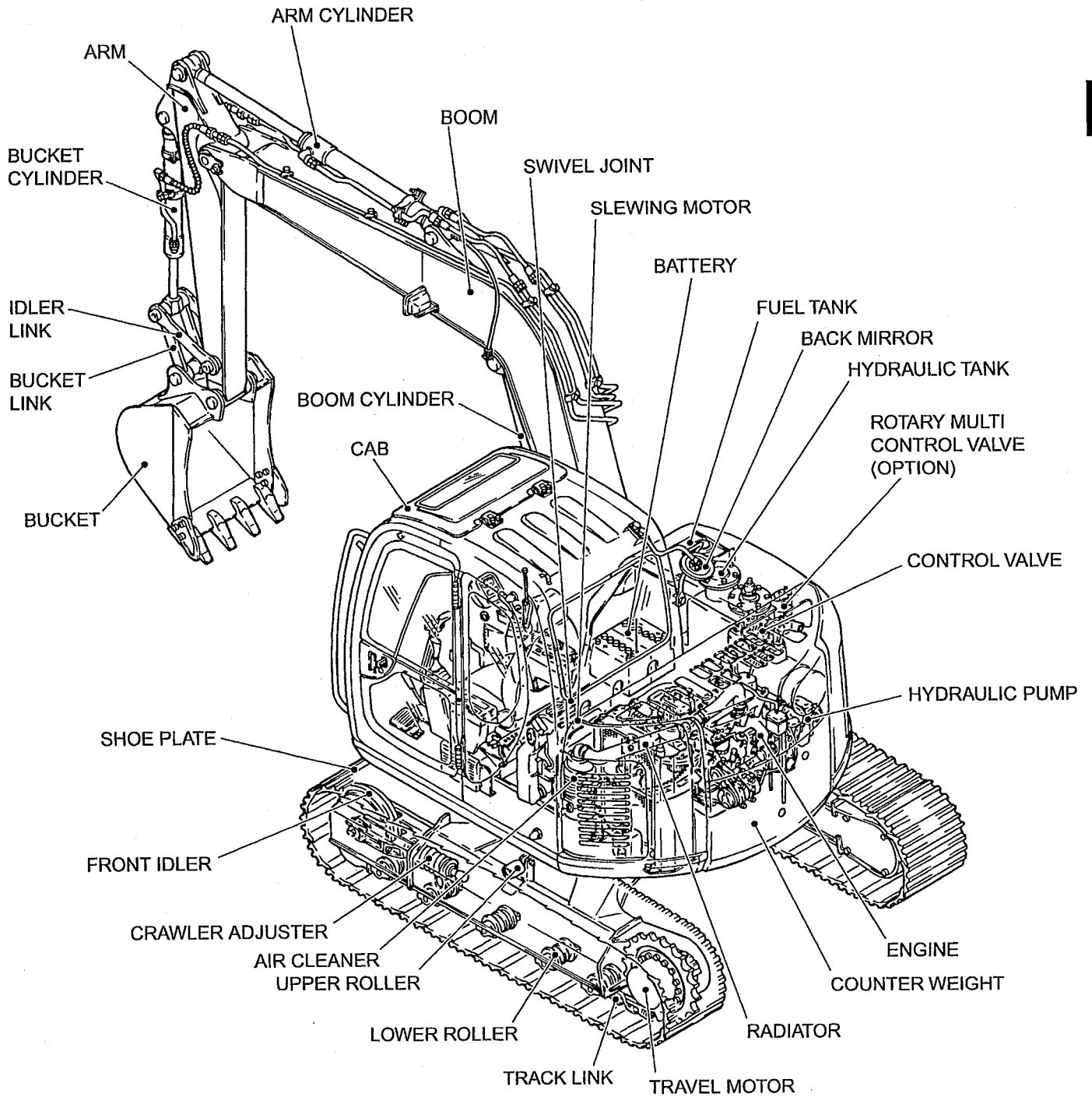
**KOBELCO CONSTRUCTION MACHINERY CO., LTD.**

Applicable Machines

SK70SR-1E : YT02-04001~  
YT03-05432~

Revision	Date of Issue	Remarks
First edition	January, 2002	S5YT0202E K-E
First revision	October, 2003	S5YT0202E ① K-E

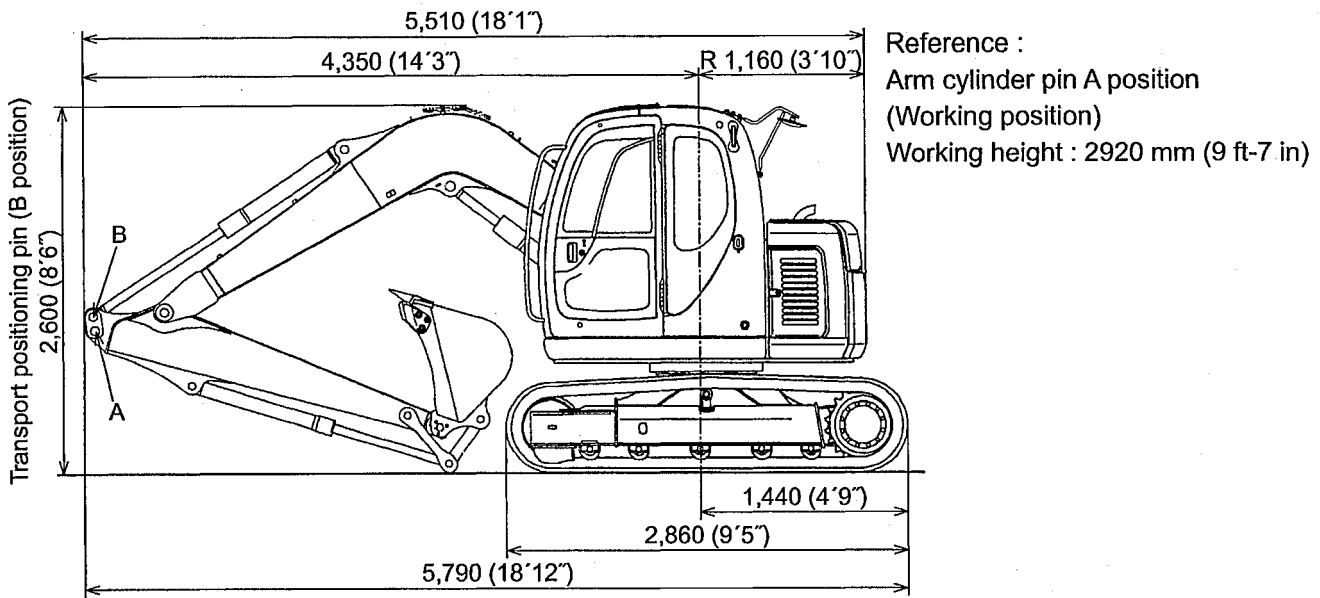
# 1. NAME OF COMPONENTS



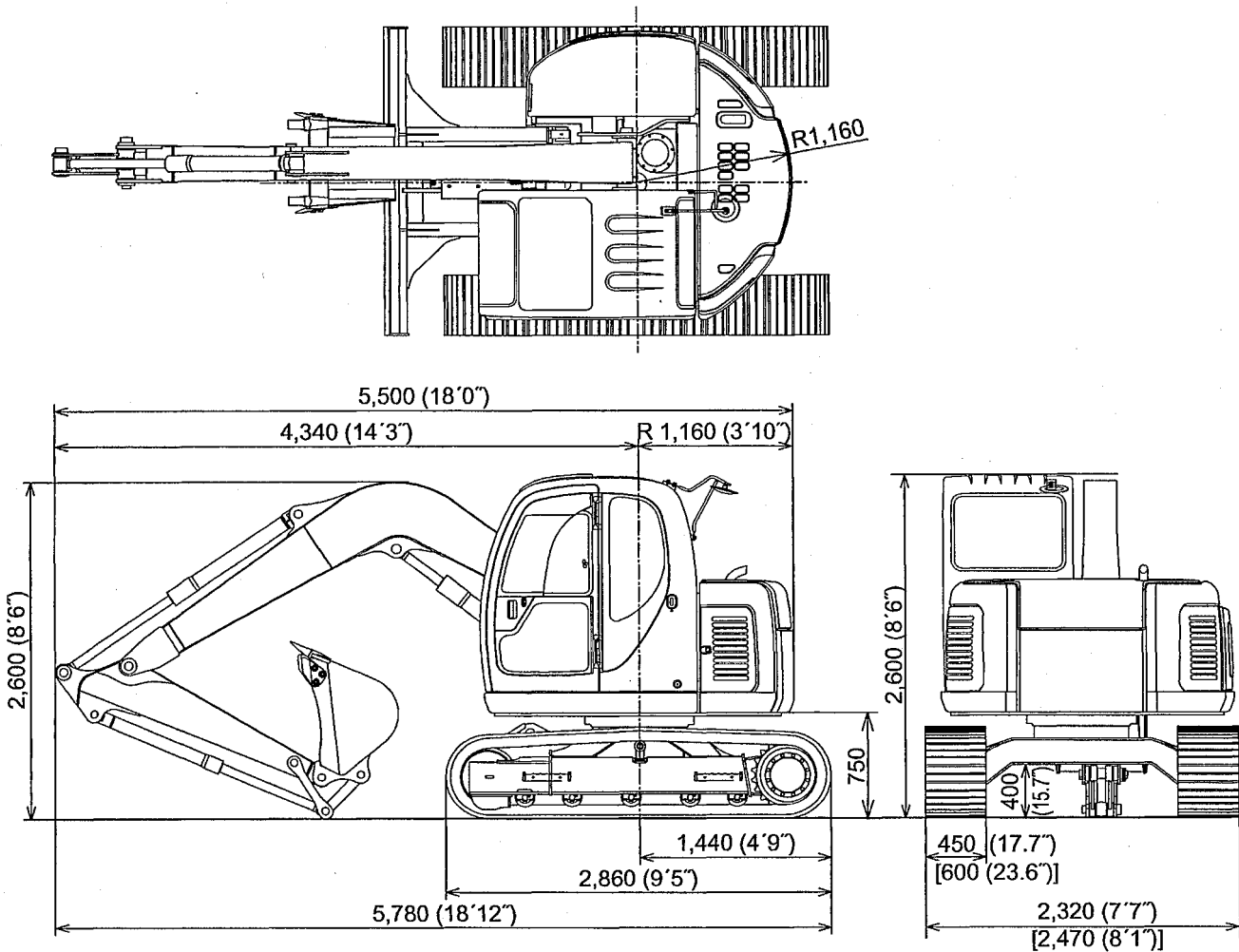
## 2. MACHINE DIMENSIONS

### 2.1 2.07 M (6 ft-9 in) ARM

Unit : mm (ft-in)



### 2.2 1.65 M (5 ft-5 in) ARM





### 3. WEIGHT OF COMPONENTS

Unit : kg (lbs)

	Model	2.07 M (6 ft-9 in) Arm +600 mm (23.6 in shoe)	1.65 M (5 ft-5 in) Arm +450 mm (17.7 in shoe)
Machine complete		7,180 (15,830)	6,940 (15,300)
1. Upper frame assy (including the following :)		3,250 (7,160)	←
1.1 Counterweight		820 (1,810)	←
Counterweight (Add-on)		400 (880)	←
1.2 Cab		210 (460)	←
1.3 Engine		* 250 (550)	←
1.4 Hydraulic oil tank		* 64 (140)	←
1.5 Fuel tank		* 53 (120)	←
1.6 Slewing motor (including reduction unit)		67 (150)	←
1.7 Control valve		42(93)	←
1.8 Boom cylinder		* 92 (200)	←
1.9 Pin (2pcs. for mounting boom)		14 (31)	←
1.10 Pump	Including 125 kg (276 lbs) of grease, water, etc	41 (90)	←
1.11 Radiator		* 44 (97)	←
2. Lower frame assy (including the following :)		2,590 (5,710)	2,370 (5,230)
2.1 Slewing bearing		115 (250)	←
2.2 Travel motor (including reduction unit)		90 (200) X 2	←
2.3 Upper roller		4 (9) X 2	←
2.4 Lower roller		15 (33) X10	←
2.5 Front idler		44 (97) X 2	←
2.6 Track tension adjuster		28 (62) X 2	←
2.7 Sprocket		27 (59) X 2	←
2.8 Swivel joint		21 (46)	←
2.9 Track link with 450 mm (17.7 in) shoes assy		420 (926) X 2	←
Track link with 600 mm (23.6 in) shoes assy		530 (1,170) X 2	←
Track link with 600 mm (23.6 in) triangle shoes assy		470 (1,040) X 2	←
2.9.1 Track link assy		155 (340) X2	←
3. Attachment		←	←
{3.72 m (12 ft-2 in) Boom+2.07 m (6 ft-9 in) Arm+0.22 m <sup>3</sup> (0.28 cu-yd) Bucket}		1,110 (2,450)	←
{3.72 m (12 ft-2 in) Boom+1.65 m (5 ft-5 in) Arm+0.28 m <sup>3</sup> (0.37 uc-yd) Bucket}		—	1,080 (2,380)
3.1 Bucket assy		190 (420)	200 (440)
3.2 Arm assy (including the following :)		290 (640)	250 (550)
3.2.1 Arm		180 (400)	130 (290)
3.2.2 Bucket cylinder		44 (97)	←
3.2.3 Idler link		6 (13) X 2	←
3.2.4 Bucket link		8 (17) X 2	←
3.2.5 Pin (2 pcs. for mounting bucket cylinder / 2 pcs. for mounting bucket)		* 17 (37)	←
3.3 Boom assy (including the following :)		630 (1,390)	←
3.3.1 Boom		390 (860)	←
3.3.2 Arm cylinder		72 (160)	←
3.3.3 Pin (Mounting arm · Mounting arm cylinder)		16 (35)	←
4. Lubricant and water (including the following :)		130 (290)	←
4.1 Hydraulic oil		* 49 (108)	←
4.2 Engine oil		5 (11)	←
4.3 Fuel		71 (157)	←
4.4 Water		5 (11)	←

Note : Numerical values marked \* indicate the dry weight.

## 4. TRNSPORTATION DIMENSION AND WEIGHT

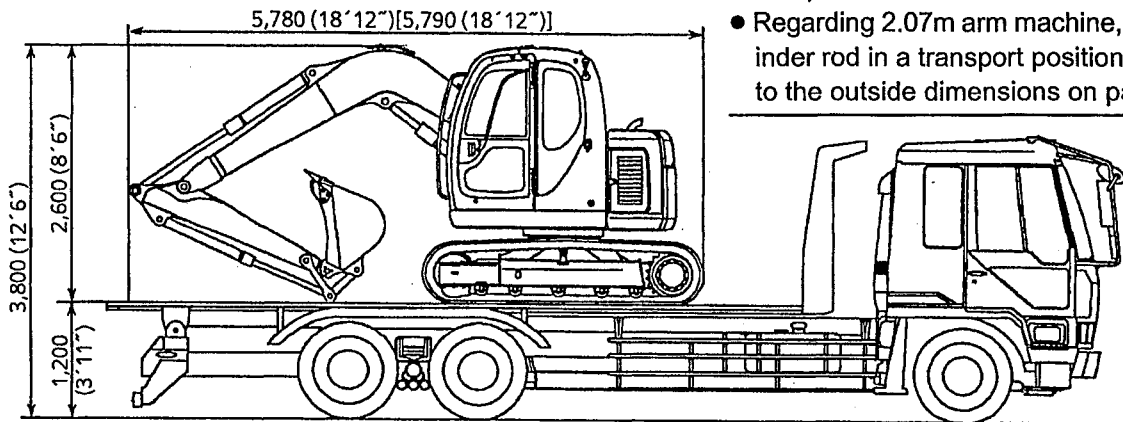
### ■ OVERALL DIMENSIONS OF MACHINE ON A TRAILER

#### ● OVERALL DIMENSIONS OF A COMPLETE MACHINE ON A TRAILER

Item	Type	2.07 M (6 ft-9 in) Arm + 600 mm (23.6 in) shoes	1.65 M (5 ft-5 in) Arm + 450 mm (17.7 in) shoes
Width	m (ft-in)	2,470 (8'1")	2,320 (7'7")
Weight	kg (lb)	7,180 (15,830)	6,940 (15,300)

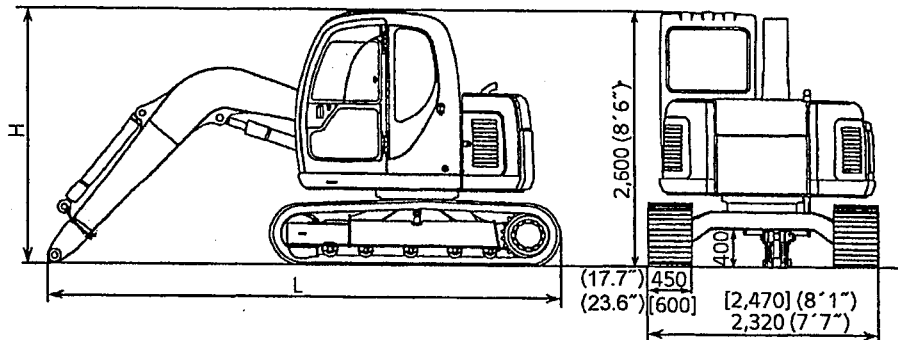
#### Specification :

- The parenthesis shows 2.07m arm model.
- Regarding 2.07m arm machine, put the arm cylinder rod in a transport position (B) by referring to the outside dimensions on page 2



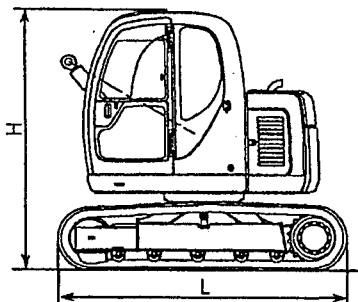
#### ● OVERALL DIMENSIONS OF WITHOUT ARM AND CUCKET

Combination	Type	A : Shoe width mm (ft-in)	L : Length mm (ft-in)	H : Height mm (ft-in)	W : Width mm (ft-in)	Weight mm (ft-in)
Without arm and bucket		600 (23.6")	5,670 (18'7")	2,600 (8'6")	2,470 (8'1")	6,700 (14,770)
		450 (17.7")	5,670 (18'7")	2,600 (8'6")	2,320 (7'7")	6,490 (14,310)



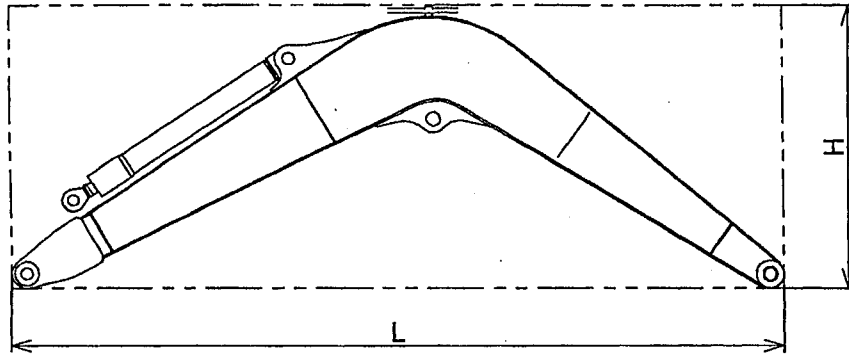
#### ● OVERALL DIMENSIONS OF WITHOUT BOOM, ARM AND BUCKET

Combination	Type	A : Shoe width mm (ft-in)	L : Length mm (ft-in)	H : Height mm (ft-in)	W : Width mm (ft-in)	Weight mm (ft-in)
Without boom, arm and bucket		600 (23.6")	2,860 (9'5")	2,600 (8'6")	2,470 (8'1")	6,070 (13,380)
		450 (17.7")	2,860 (9'5")	2,600 (8'6")	2,320 (7'7")	5,860 (12,920)



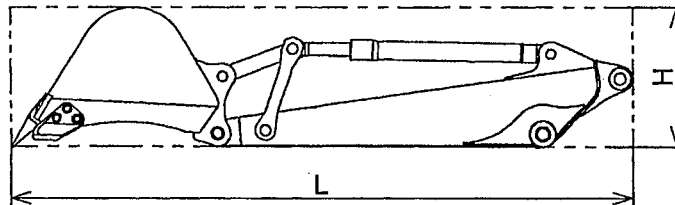
● OVERALL DIMENSIONS OF BOOM

Item	Type	3.72 m (12 ft-2 in) Boom
Length X Height X Width L X H X W	m (ft-in)	3.86 X 1.43 X 0.36 (12'8" X 4'8" X 1'2")
Weight	kg (lb)	500 (1,100)



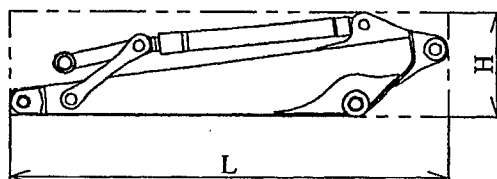
● OVERALL DIMENSIONS OF ARM + BUCKET

Item	Type	1.65 m (5 ft-5 in) Arm + 0.28 m <sup>3</sup> (0.37 cu-yd) Bucket	2.07 m (6 ft-9 in) Arm + 0.22 m <sup>3</sup> (0.29 cu-yd) Bucket
Length X Height X Width L X H X W	m (ft-in)	3.14 X 0.70 X 0.75 (10'4" X 2'4" X 2'6")	3.61 X 0.71 X 0.65 (11'10" X 2'2.4" X 2'2")
Weight	kg (lb)	450 (990)	480 (1,060)



● OVERALL DIMENSIONS OF ARM

Item	Type	1.65 m (5 ft-5 in) Arm	2.07 m (6 ft-9 in) Arm
Length X Height X Width L X H X W	m (ft-in)	2.17 X 0.53 X 0.36 (7'1" X 1'9" X 1'2")	2.64 X 0.53 X 0.36 (8'8" X 1'9" X 1'2")
Weight	kg (lb)	250 (550)	290 (640)

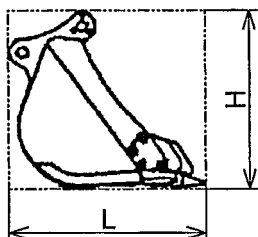


• OVERALL DIMENSIONS OF BUCKET

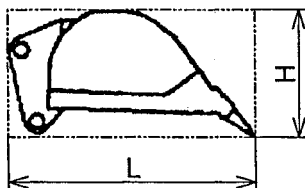
Type	Hoe bucket			
Length X Height X Width L X H X W m (ft-in)	1.10 X 0.60 X 0.40 (3'7" X 1'12" X 1'4")	0.98 X 0.89 X 0.48 (3'3" X 2'11" X 1'7")	0.98 X 0.89 X 0.55 (3'3" X 2'11" X 1'10")	0.98 X 0.89 X 0.65 (3'3" X 2'11" X 2'2")
Weight kg (lbs)	150 (330)	150 (330)	170 (380)	190 (420)
Bucket capacity m <sup>3</sup> (cu-yd)	0.11 (0.14)	0.14 (0.18)	0.18 (0.23)	0.22 (0.29)

Type	Hoe bucket		V-bucket	Slope finishing bucket
Length X Height X Width L X H X W m (ft-in)	0.98 X 0.89 X 0.75 (3'3" X 2'11" X 2'6")	0.98 X 0.89 X 0.85 (3'3" X 2'11" X 2'9")	1.08 X 0.47 X 1.41 (3'6" X 1'6" X 4'7")	0.79 X 0.62 X 1.50 (2'7" X 2'0" X 4'11")
Weight kg (lbs)	200 (440)	220 (490)	180 (340)	300 (660)
Bucket capacity m <sup>3</sup> (cu-yd)	0.28 (0.37) STD	0.35 (0.45)	0.24 (0.31)	0.26 (0.34)

• Hoe bucket



• V-bucket



• Slope finishing bucket

