

HYDRAULIC EXCAVATOR

**SHOP
MANUAL**

model

**SK450(LC)-6
SK480(LC)-6**

INDEX

1	SPECIFICATION SECTION
2	MAINTENANCE SECTION
3	SYSTEM SECTION
4	DISASSEMBLY SECTION
5	TROUBLESHOOTING
6	ENGINE SECTION
7	INSTALLATION PROCEDURES FOR OPTIONAL ATTACHMENT

MAINTENANCE SPECIFICATION

SYSTEM

DISASSEMBLING

TROUBLESHOOTING

E/G

OPT

KOBELCO

Book code No. S5LS0009E②



WARNING

SAFETY

WARNING

The proper and safe lubrication and maintenance for this machine, recommended by KOBELCO are outlined in the OPERATION & MAINTENANCE GUIDE for this machine.

Improper performance of lubrication or maintenance procedures is dangerous and could result in injury or death. Read and understand the OPERATION & MAINTENANCE GUIDE before performing any lubrication or maintenance.

The serviceman or mechanic may be unfamiliar with many of the systems on this machine. This makes it important to use caution when performing service work. A knowledge of the system and or components is important before the removal or disassembly of any component.

Because of the size of some of the machine components, the serviceman or mechanic should check the weights noted in this Manual. Use proper lifting procedures when removing any components.

Following is a list of basic precautions that should always be observed.

1. Read and understand all Warning plates and decals on the machine before operating, lubricating or repairing this product.
2. Always wear protective glasses and protective shoes when working around machines. In particular, wear protective glasses when pounding on any part of the machine or its attachments with a hammer or sledge. Use welders gloves, hood / goggles, apron and other protective clothing appropriate to the welding job being performed. Do not wear loose-fitting or torn clothing. Remove all rings from fingers when working on machinery.
3. Disconnect battery and discharge any capacitors before starting to work on machine. Hang "Do Not Operate" tag in the Operator's Cab.
4. If possible, make all repairs with the machine parked on a level, hard surface. Block machine so it does not roll while working on or under machine.
5. Do not work on any machine that is supported only by lift jacks or a hoist. Always use blocks or jack stands to support the machine before performing any disassembly.

WARNING

Do not operate this machine unless you have read and understand the instructions in the OPERATORS MANUAL. Improper machine operation is dangerous and could result in injury or death.

6. Relieve all pressure in air, oil or water systems before any lines, fittings or related items are disconnected or removed. Always make sure all raised components are blocked correctly and be alert for possible pressure when disconnecting any device from a system that utilizes pressure.
7. Lower the bucket, blade, ripper or other attachment to the ground before performing any work on the machine. If this cannot be done, make sure the bucket, blade, ripper or other attachment is blocked correctly to prevent it from dropping unexpectedly.
8. Use steps and grab handles when mounting or dismounting a machine. Clean any mud or debris from steps, walkways or work platforms before using. Always face machine when using steps, ladders and walkways. When it is not possible to use the designed access system, provide ladders, scaffolds, or work platforms to perform safe repair operations.
9. To avoid back injury, use a hoist when lifting components which weigh 23 kg (50 lbs) or more. Make sure all chains, hooks, slings, etc., are in good condition and are in the correct capacity. Be sure hooks are positioned correctly. Lifting eyes are not to be side loaded during a lifting operation.
10. To avoid burns, be alert for hot parts on machines which have just been stopped and hot fluids in lines, tubes and components.
11. Be careful when removing cover plates. Gradually back off the last two bolts or nuts located at opposite ends of the cover or device and pry cover loose to relieve any spring or other pressure, before removing the last two bolts or nuts completely.
12. Be careful when removing filler caps, breathers and plugs on the machine. Hold a rag over the cap or plug to prevent being sprayed or splashed by liquids under pressure. The danger is even greater if the machine has just been stopped because fluids can be hot.

 **WARNING**

13. Always use tools that are in good condition and be sure you understand how to use them before performing any service work.
14. Reinstall all fasteners with same part number. Do not use a lesser quality fastener if replacements are necessary.
15. Repairs, which require welding, should be performed only with the benefit of the appropriate reference information and by personnel adequately trained and knowledgeable in welding procedures. Determine type of metal being welded and select correct welding procedure and electrodes, rods or wire to provide a weld metal strength equivalent at least to that of parent metal. Always disconnect battery during welding operations to protect sensitive electric equipment.
16. Do not damage wiring during removal operations. Reinstall the wiring so it is not damaged nor will it be damaged in operation by contacting sharp corners, or by rubbing against some object or hot surface. Do not connect wiring to a line containing fluid.
17. Be sure all protective devices including guards and shields are properly installed and functioning correctly before starting a repair. If a guard or shield must be removed to perform the repair work, use extra caution.
18. Loose or damaged fuel, lubricant and hydraulic lines, tubes and hoses can cause fires. Do not bend or strike high-pressure lines or install ones, which have been bent or damaged. Inspect lines, tubes and hoses carefully. Do not check for leaks with your hands. Pinhole (very small) leaks can result in a high velocity oil stream that will be invisible close to the hose. This oil can penetrate the skin and cause personal injury. Use cardboard or paper to locate pinhole leaks.
19. Tighten connections to the correct torque. Make sure that all heat shields, clamps and guards are installed correctly to avoid excessive heat, vibration or rubbing against other parts during operation. Shields that protect against oil spray onto hot exhaust components in event of a line, tube or seal failure must be installed correctly.
20. Do not operate a machine if any rotating part is damaged or contacts any other part during operation. Any high speed-rotating component that has been damaged or altered should be checked for balance before reusing.
21. On track-type machines, be careful when servicing or separating tracks. Chips can fly when removing or installing a track pin. Wear safety glasses and long sleeve shirts. Track can unroll very quickly when separated. Keep away from front and rear of machine. The machine can move unexpectedly when both tracks are disengaged from the sprockets. Block the machine to prevent it from moving.

Book Code No. Distribution Year—Month			Index No	Title	
S5LS0109E 2003-03	S5LS0109E① 2003-10		SPECIFICATION	OUTLINE	LS01
S5LS0209E 2003-03	S5LS0209E① 2003-10			SPECIFICATION	LS02
S5LS0309E 2003-03	S5LS0309E① 2003-10			ATTACHMENT DIMENSION	LS03
S5LS1109E 2003-03	S5LS1109E① 2003-10		MAINTENANCE	TOOLS	LS11
S5LS1209E 2003-03	S5LS1209E① 2003-10			STANDARD MAINTENANCE TIME SCHEDULE	LS12
S5LS1309E 2003-03	S5LS1309E① 2003-10			MAINTENANCE STANDARD AND TEST PROCEDURE	LS13
S5LS2109E 2003-03	S5LS2109E① 2003-10		SYSTEM	MECHATRO CONTROL SYSTEM	LS21
S5LS2209E 2003-03	S5LS2209E① 2003-10			HYDRAULIC SYSTEM	LS22
S5LS2309E 2003-03	S5LS2309E① 2003-10			ELECTRICAL SYSTEM	LS23
S5LS2409E 2003-03	S5LS2409E① 2003-10			COMPONENTS SYSTEM	LS24
S5LS2509E 2003-03	S5LS2509E① 2003-10			AIR-CONDITIONER SYSTEM	LS25
—	—			—	
S5LS3109E 2003-03	S5LS3109E① 2003-10		DISASSEMBLING	DISASSEMBLING AND ASSEMBLING	LS31
S5LS3209E 2003-03	S5LS3209E① 2003-10			ATTACHMENT	LS32
S5LS3309E 2003-03	S5LS3309E① 2003-10			UPPER STRUCTURE	LS33
S5LS3409E 2003-03	S5LS3409E① 2003-10			TRAVEL SYSTEM	LS34
S5LS4109E 2003-03	S5LS4109E① 2003-10		TROUBLESHOOTING	MECHATRO CONTROL	LS41
S5LS4209E 2003-03	S5LS4209E① 2003-10			HYDRAULIC	LS42
S5LS4309E 2003-03	S5LS4309E① 2003-10			ELECTRICAL	LS43
S5LS4409E 2003-03	S5LS4409E① 2003-10			ENGINE	LS44
S5LS5109E 2003-03	S5LS5109E① 2003-10		E/G	ENGINE	LS51
S5LS6102E 2003-07	←		OPT.	LMN & BREAKER	LS61
LS07-01201~ YS07-01101~	LS07-01201~ YS07-01101~ LS08-01236~ YS08-01146~			APPLICABLE MACHINES	

KOBELCO

Book code No.

S5 **LS01** 09E①

SHOP MANUAL

SK450(LC)-6
SK480(LC)-6 **LS01**

OUTLINE

TABLE OF CONTENTS

1. GENERAL PRECAUTIONS FOR MAKING REPAIRS 1
2. INTERNATIONAL UNIT CONVERSION SYSTEM 4

KOBELCO CONSTRUCTION MACHINERY CO., LTD.

Applicable Machines

LS07-01201~
YS07-01101~
LS08-01236~
YS08-01146~

Revision	Date of Issue	Remarks
First edition	March, 2003	S5LS0109E K
First revision	October, 2003	S5LS0109E① K

1. GENERAL PRECAUTIONS FOR MAKING REPAIRS



1.1 PREPARATION BEFORE DISASSEMBLING

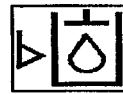
- (1) Knowledge of operating procedure
Read Operator's Manual carefully to understand the operating procedure.
- (2) Cleaning machines
Clean machines of soil, mud, and dust before carrying into the service shop.
Carrying a soiled machine into the service shop, causes making less efficient work and damage of parts.
- (3) Inspecting machines
Confirm the disassembling section before starting work, determine the disassembly procedure taking the conditions in work shop into account, and request to procure necessary parts in advance.
- (4) Recording
Record the following items to keep contact and prevent malfunction from recurring.
 - 1) Inspecting date, place
 - 2) Model name, Applicable machine No., Records on hour meter
 - 3) Trouble condition, place, cause
 - 4) Visible oil leakage, water leakage and damage
 - 5) Clogging of filters, etc., oil level, oil quality, oil contamination and looseness which can be inspected.
 - 6) Examine the problems on the basis of operation rate with the last inspection date and records on hour meter.
- (5) Arrangement and cleaning in service shop
 - 1) Tools required for repair work.
 - 2) Specify places to put the disassembled parts on in advance.
 - 3) Prepare oil pans for leaking oil, etc.



1.2 SAFETY WHEN DISASSEMBLING AND ASSEMBLING

- (1) Safety
 - 1) Wear appropriate clothing, safety shoes, safety helmet, goggles, and clothes with long sleeves.
 - 2) Suspend warning tag "Don't operate" from lever, and begin preliminaries before getting down to work.
 - 3) Before starting inspection and maintenance which contain the danger of being caught in machine, stop the engine.

- 4) Confirm the position of first-aid kit and fire extinguisher, and also where to make contact for emergency measure and ambulance to prepare for accidents and fire.
- 5) Choose a hard, flat and safe place, and put attachment on the ground without fail.
- 6) Use crane, etc. to remove parts of heavy weight (20kg [44 lbs] or more).
- 7) Use proper tools, and change or repair defective tools.
- 8) Machine and attachment required to work in the lifting condition should be supported with supports or blocks securely.



1.3 DISASSEMBLING AND ASSEMBLING HYDRAULIC EQUIPMENT

- (1) Removing hydraulic equipment assy
 - 1) Before removing pipes, release the pressure of hydraulic oil tank, or open the cover on the return side to tank, and take out the filter.
 - 2) Put the oil in the removed pipes in reservoir taking care it is not spilled on the ground.
 - 3) Pipes with plugs or caps to prevent oil leaking, entry of dust, etc.
 - 4) Clean the outside surface of equipment, etc. before disassembling, and drain hydraulic oil and gear oil before putting them on working bench.
- (2) Disassembling hydraulic equipment
 - 1) Since performance and function of hydraulic equipment after disassembly and assembly results in immunity from responsibility on the manufacture's side, disassembly, assembly and conversion without permission are strictly prohibited.
 - 2) If it is unavoidably necessary to disassemble and convert, it should be carried out by experts or personnel authorized through service training.
 - 3) Make match mark on parts for reassembling.
 - 4) Before disassembling, read Disassembling Instruction in advance, and determine if the disassembly and assembly are permitted or not.
 - 5) For parts which are required to use jig and tools, don't fail to use the specified jig and tools.
 - 6) For parts which can not be removed in the specified procedure, never force removal. First check for the cause.

- 7) The removed parts should be put in order and tagged so as to install on proper places without confusion.
 - 8) For common parts, pay attention to the quantity and places.
- (3) Inspecting parts
- 1) Check that the disassembled parts are free from score, dent and seizure.
 - 2) Measure the wear of parts and clearance, and record the measured values.
 - 3) If an abnormality is detected, repair or replace the parts.
- (4) Reassembling hydraulic equipment
- 1) Before cleaning, turn the fan on or open doors to ventilate air.
 - 2) Before assembly, clean parts roughly first, and then completely.
 - 3) Remove oil by compressed air, and apply hydraulic oil or gear oil, and then assemble them.
 - 4) Replace the removed O ring, back-up rings and oil seal with new ones, and apply grease on them before assembling.
 - 5) Removes stain and water on the surface on which liquid sealant are applied, decrease them, and apply liquid sealant on them.
 - 6) Before assembling, remove rust preventives on new parts.
 - 7) Use special tools to fit bearings, bushing and oil seal.
 - 8) Assemble parts matching to the marks.
 - 9) After completion, check that there is no omission of parts.
- (5) Installing hydraulic equipment
- 1) Confirm hydraulic oil and lubrication oil.
 - 2) Air release is required in the following cases ;
 - a. Change of hydraulic oil
 - b. Replacement of parts on suction pipe side
 - c. Removing and attaching hydraulic pump
 - d. Removing and attaching swing motor
 - e. Removing and attaching travel motor
 - f. Removing and attaching hydraulic cylinder

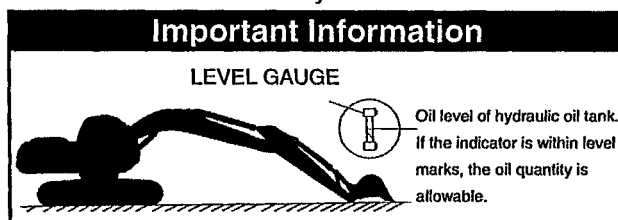
⚠ If hydraulic oil and lubricating oil are not filled and also air bleed is not performed, the hydraulic equipment may be damaged.

- 3) For air bleed of hydraulic pump and swing motor, loosen drain plug on the upper part, start engine, and run in low idling, then bleed air until hydraulic oil is oozed out. After completion of air bleed, tighten plug securely.
- 4) For air bleed of travel motor and hydraulic cylinder, starts engine and operate it for 10 minutes or more at no-load and low speed.

⚠ For cylinder, don't move it to the stroke end at beginning.

- 5) Air in pilot circuit can be bled out by only operating digging, swing and traveling motions thoroughly.
- 6) Check hydraulic oil level.
Move attachments to hydraulic oil check position, and check hydraulic oil level of tank. Refill oil if the oil level is lower than the minimum level.

How to check oil level of hydraulic oil tank



1.4 ELECTRICAL EQUIPMENT



- (1) The disassembly of electrical equipment is not allowed.
- (2) Handle equipment with care so as not to drop it or bump it.
- (3) Connector should be removed by unlocking while holding the connector.
Never stress in tension to the caulked section by pulling wire.
- (4) Check that connector is connected and locked completely.
- (5) Starter key off before removing and connecting connector
- (6) Starter key off before touching terminals of starter and alternator.
- (7) Remove battery grounding terminal before beginning work close to battery and battery relay with tools.
- (8) Wash machine with care so as not to splash water on electrical equipment and connector.

- (9) When water has entered in the waterproofed connector, the removing of water is not easy. So check the removed waterproofed connector with care to protect it from entry of water. If moisture adheres on it, dry it completely before connecting.



Battery electrolyte is dangerous.

The battery electrolyte is dilute sulfuric acid, and causes scald and loss of eyesight by adhering on eyes, skin and clothes. When the electrolyte has adhered on them, take an emergency measure immediately and see a doctor for medical advice.

- When it has adhered on skin ;
Wash with soap and water.
- When it has got in eyes ;
Wash in water for 10 minutes or more immediately.
- When it has spilled out in large quantity ;
Use sodium bicarbonate to neutralize, or wash away with water.
- When it was swallowed ;
Drink milk or water.
- When it has adhered on clothes ;
Wash it immediately.



1.5 HYDRAULIC PARTS

1) O ring

- Check that O ring is free from flaw and has elasticity before fitting.
- Even if the size of O ring is equal, the usage differs, for example in dynamic and static sections, the rubber hardness also differs according to the pressure force, and also the quality differs depending on the materials to be seated. So, choose proper O ring.
- Fit O ring so as to be free from distortion and bend.
- Floating seal should be put in pairs.

2) Flexible hose (F hose)

- Even if the connector and length of hose are the same, the parts differ according to the withstanding pressure. Use proper parts.

- Tighten it to the specified torque, and check that it is free from distortion, over tension, interference, and oil leakage.

1.6 WELD REPAIR

- (1) The weld repair should be carried out by authorized personnel in the specified procedure after disconnecting the grounding cable of battery. If the grounding cable is not disconnected, the electrical equipment may be damaged.
- (2) Remove parts which may cause flame due to the entry of spark beforehand.
- (3) Repair attachments which are damaged, giving particular attention to the plated section of piston rod to protect it from sparks, and don't fail to cover the section with fire proof clothes.

1.7 ENVIRONMENTAL ISSUES

- (1) Engine should be started and operated in the place where air can be sufficiently ventilated.
- (2) Waste disposal
The following parts follows the regulation.
Waste oil, waste container and battery
- (3) Precautions for handling hydraulic oil
Hydraulic oil may cause inflammation of eyes. Wear goggles to protect eyes on handling it.
 - When it has got in eyes ;
Wash eyes with water until the stimulus is gone.
 - When it was swallowed ;
Don't force him to vomit it, but immediately receive medical treatment.
 - When it has adhered on skin ;
Wash with soap and water.
- (4) Others
For spare parts, grease and oil, use KOBELCO genuine ones.

2. INTERNATIONAL UNIT CONVERSION SYSTEM

Introduction

Although this manual uses the JIS unit system. If you need SI unit, refer to following international system of units.

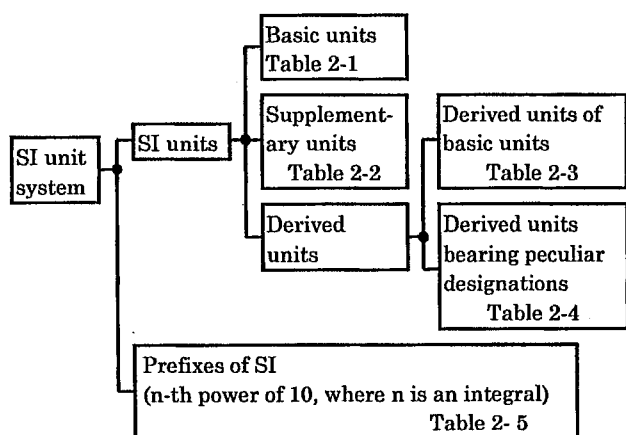
Given hereinunder are an excerpt of the units that are related to this manual :

1. Etymology of SI Units

French : Le Système International d' Unités

English: International System of Units

2. Construction of SI Unit System



(1) Basic Units

Table 2-1

QUANTITIES	DESIGNATION	SIGN
Length	Meter	m
Mass	Kilogram	kg
Time	Second	s
Current	Ampere	A
Thermodynamic temperature	Kelvin	K
Gram molecule	Mol	mol
Luminous intensity	Candela	cd

(2) Supplementary Units

Table 2-2

QUANTITIES	DESIGNATION	SIGN
Plane angle	Radian	rad
Solid angle	Steradian	sr

(3) Derived Units of Basic Units

Table 2-3

QUANTITIES	DESIGNATION	SIGN
Area	Square meter	m ²
Volume	Cubic meter	m ³
Velocity	Meter per second	m/s
Acceleration	Meter per second / second	m/s ²
Density	Kilogram per cubic meter	kg/m ³

(4) Derived Units bearing Peculiar Designations

Table 2-4

QUANTITIES	DESIGNATION	SIGN	DERIVED UNIT
Frequency	Hertz	Hz	1Hz=1s ⁻¹
Force	Newton	N	1N=1kgf·m/s ²
Pressure, Stress	Pascal	Pa	1Pa=1N/m ²
Energy, Work, Quantity of heat	Joule	J	1J=1N·m
Power, Motive power, Electric power	Watt	W	1W=1J/s
Charge, Quantity of electricity	Coulomb	C	1C=1A·s
Potential, Voltage, Electromotive force	Volt	V	1V=1J/C (1W/A)
Quantity of static electricity, Capacitance	Farad	F	1F=1C/V
Electric resistance	Ohm	Ω	1Ω=1V/A
Celcius temperature	Celcius degree or degree	°C	t°C=(t+273.15)K
Illuminance	lux	ℓX	1ℓX=1ℓm/m ²

(5) Prefixes of SI

Table 2-5

PREFIX		POWER
DESIGNATION	SIGN	
Giga-	G	10 ⁹
Mega-	M	10 ⁶
Kilo-	k	10 ³
Hecto-	h	10 ²
Deca-	da	10
Deci-	d	10 ⁻¹
Centi-	c	10 ⁻²
Milli-	m	10 ⁻³
Micro-	μ	10 ⁻⁶
Nano-	n	10 ⁻⁹
Pico-	p	10 ⁻¹²

(6) Unit Conversion Table

Table 2-6

QUANTITIES	JIS	SI	REMARKS
Mass	kg	kg	
Force	kgf	N	1kgf=9.807N
Torque	kgf·m	N·m	kgf·m=9.807N·m
Pressure	kgf/cm ²	MPa	1kgf/cm ² =0.098MPa
Motive power	PS	kW	1PS=0.7355kW
Revolution	rpm	min ⁻¹	r/min

KOBELCO

Book code No.

S5LS0209E①

SHOP MANUAL SK450(LC)-6 SK480(LC)-6

LS02

SPECIFICATION

TABLE OF CONTENTS

1. NAME OF COMPONENTS	1
2. GENERAL DIMENSIONS	2
3. WEIGHT OF COMPONENTS	3
4. TRANSPORTATION	4
5. SPECIFICATIONS AND PERFORMANCE	6
6. TYPE OF CRAWLER	7
7. TYPE OF BUCKET	8
8. COMBINATIONS OF ATTACHMENT	8
9. ENGINE SPECIFICATIONS	9

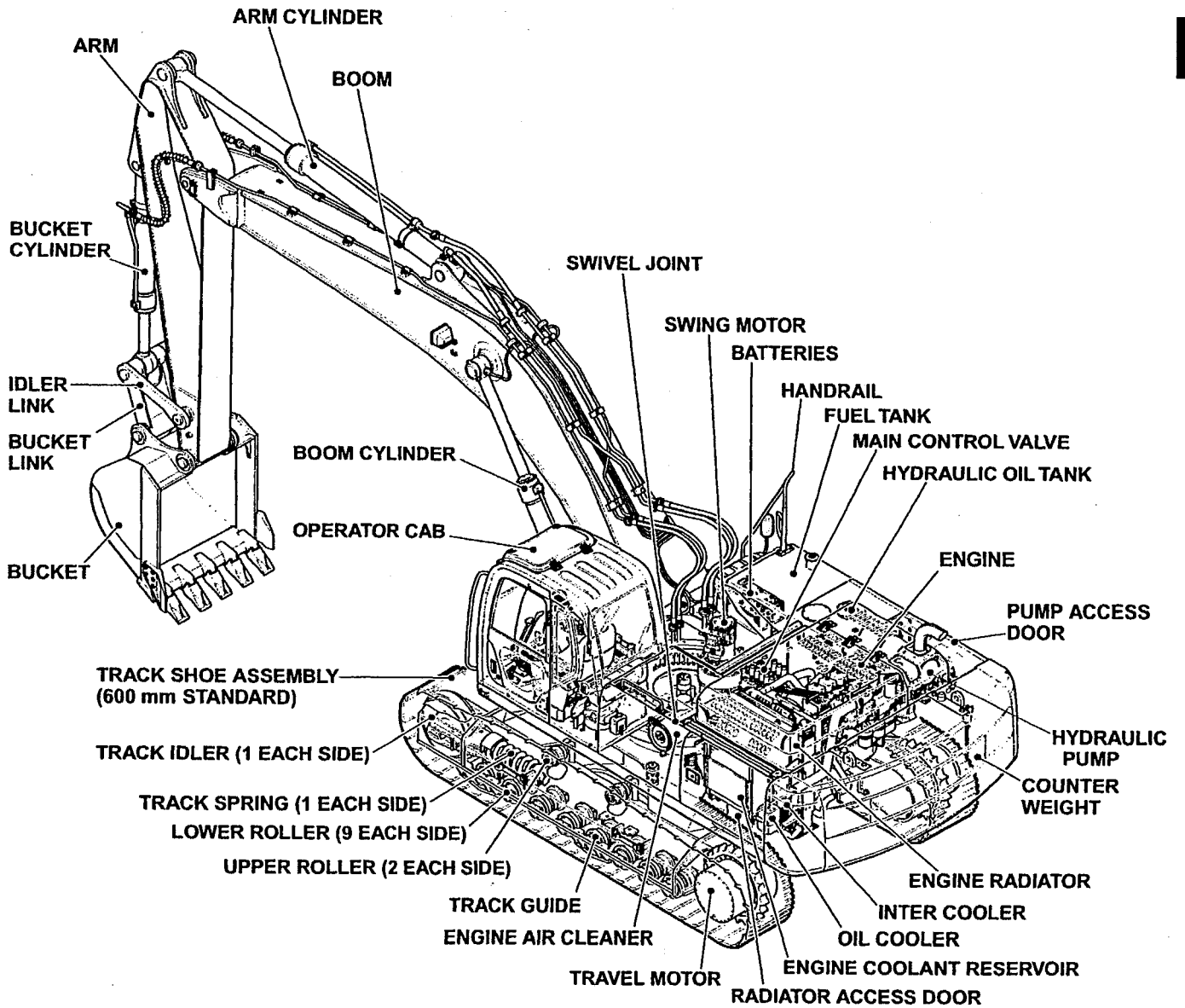
KOBELCO CONSTRUCTION MACHINERY CO., LTD.

Applicable Machines

LS07-01201~
YS07-01101~
LS08-01236~
YS08-01146~

Revision	Date of Issue	Remarks
First edition	March, 2003	S5LS0209E K
First revision	October, 2003	S5LS0209E① K

1. NAME OF COMPONENTS



2. GENERAL DIMENSIONS

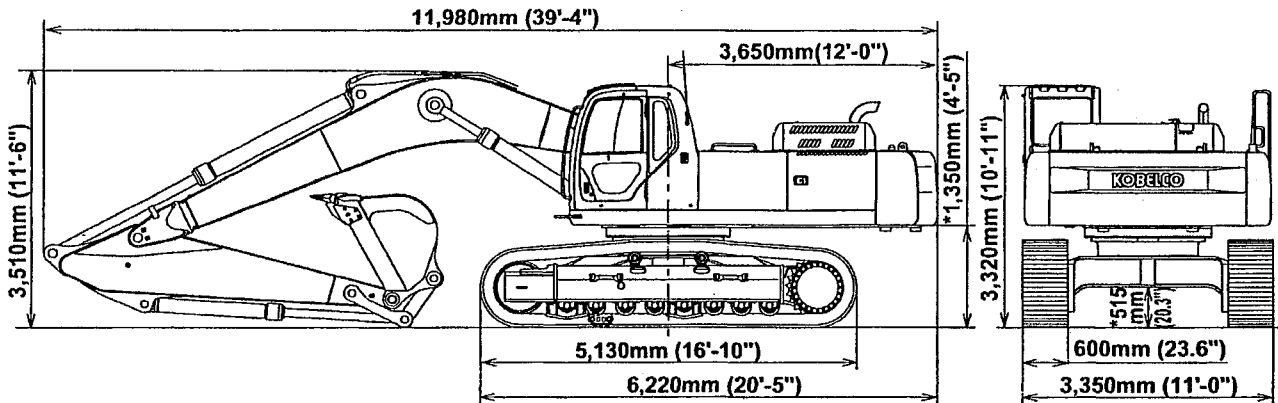
SK480-6

Unit : mm (ft-in)

2.1 7.00m (23' 0") Boom+3.45m (11' 4") Standard Arm+1.80m³ (2.35cu-yd) Bucket+600mm (23.6") Shoe

NOTE :

Dimensions marked ※ do not include the height of the shoe lug.



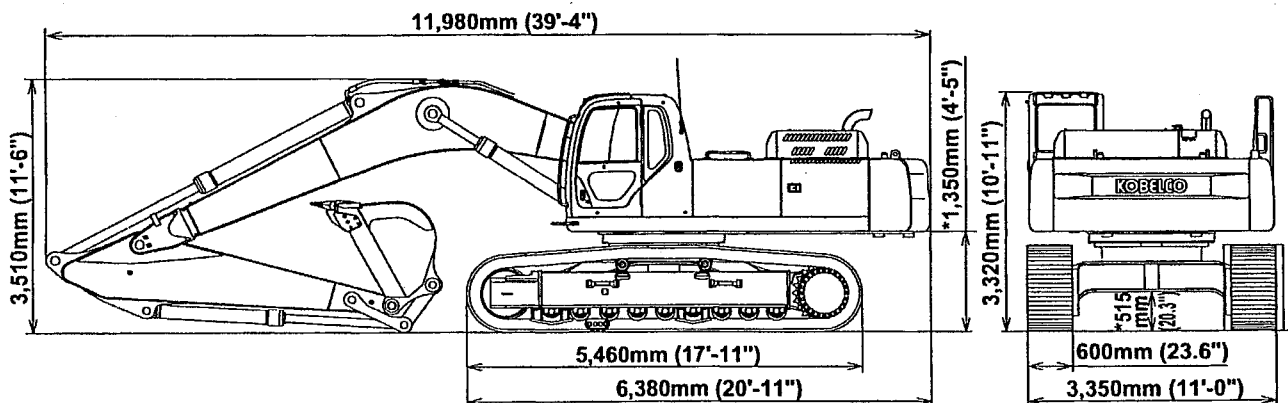
SK480LC-6

Unit : mm (ft-in)

2.2 7.00m (23' 0") Boom+3.45m (11' 4") Standard Arm+1.80m³ (2.35cu-yd) Bucket+600mm (23.6") Shoe

NOTE

Dimensions marked ※ do not include the height of the shoe lug.



3. WEIGHT OF COMPONENTS

Unit : kg (lb)

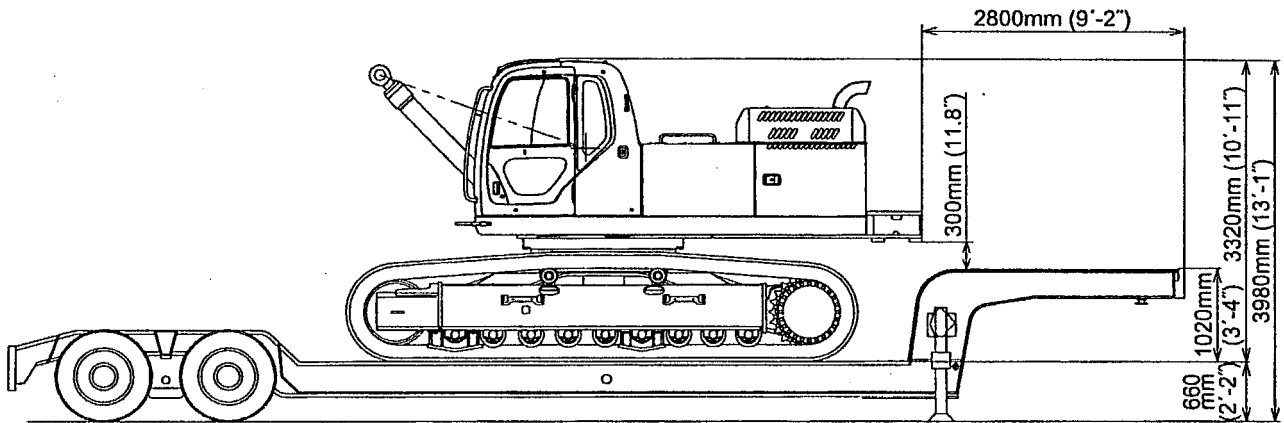
Item	Model	SK480LC-6	SK480-6
Machine complete		45,900 (101,190)	45,200 (99,650)
1. Upper frame assy (including the following :)		20,800 (45,860)	←
1.1 Upper frame		4,630 (10,210)	←
1.2 Counterweight		9,230 (20,350)	←
1.3 Cab		260 (570)	←
1.4 Engine		※ 1,020 (2,250)	←
1.5 Hydraulic oil tank		※ 360 (790)	←
1.6 Fuel tank		※ 230 (510)	←
1.7 Slewing motor (including reduction unit)		720 (1,590)	←
1.8 Control valve		380 (840)	←
1.9 Boom cylinder		※ 400 (880)×2	←
1.10 Pin (for mounting boom)		110 (240)	←
1.11 Pump		190 (420)	←
1.12 Radiator		190 (420)	←
2. Lower frame assy (including the following :)		17,000 (37,490)	16,300 (35,930)
2.1 Lower frame		5,890 (12,290)	5,690 (12,550)
2.2 Slewing bearing		700 (1,540)	←
2.3 Travel motor (including reduction unit)		650 (1,430)×2	←
2.4 Upper roller		30 (66)×4	←
2.5 Lower roller		98 (220)×18	98 (220)×16
2.6 Front idler		270 (600)×2	←
2.7 Idler adjuster		325 (720)×2	←
2.8 Sprocket		100 (220)×2	←
2.9 Swivel joint		58 (130)	←
2.10 Track guide		50 (110)×4	←
2.11 Track link with 600mm (23.6in) shoes assy		2,700 (5,990)×2	2,540 (5,600)×2
2.11.1 Track link assy		1,160 (2,560)×2	1,090 (2,400)×2
3. Attachment (including the following / STD :)		8,100 (17,860)	←
[7.0m (23ft) Boom+3.45m (11ft-4in) Arm +1.8m ³ (2.35cu-yd) Bucket]			
3.1 Bucket assy (STD)		1,440 (3,170)	←
3.2 STD Arm assy (including the following :)		2,410 (5,310)	←
3.2.1 STD Arm		1,470 (3,240)	←
3.2.2 Bucket cylinder		※ 360 (790)	←
3.2.3 Idler link		56 (120)×2	←
3.2.4 Bucket link		150 (330)	←
3.2.5 Pin (2pcs. for mounting bucket cylinder / 2pcs. for mounting bucket)		155 (340)	←
3.3 Boom assy		4,240 (9,350)	←
3.3.1 Boom		3,330 (7,280)	←
3.3.2 Arm cylinder		※ 590 (1,300)	←
3.3.3 Pin (Mounting arm - Mounting arm cylinder)		124 (270)	←
4. Lubricant and water (including the following :)		1,200 (2,650)	←
4.1 Hydraulic oil		570 (1,260)	←
4.2 Engine oil		42 (90)	←
4.3 Fuel		540 (1,190)	←
4.4 Water		48 (105)	←

NOTE : Numerical values marked ※ indicate the dry weight.

4. TRANSPORTATION

4.1 DIMENSIONS OF MACHINE ON A TRAILER (WITHOUT COUNTERWEIGHT)

Item	Model	SK480LC-6	SK480-6	
Width	600mm (23.6in) shoes	mm(ft-in)	3,350 (11' 0")	3,350 (11' 0")
Weight	kg(lb)	28,000(61,730)	27,800 (61,290)	



Unit : mm (ft-in)

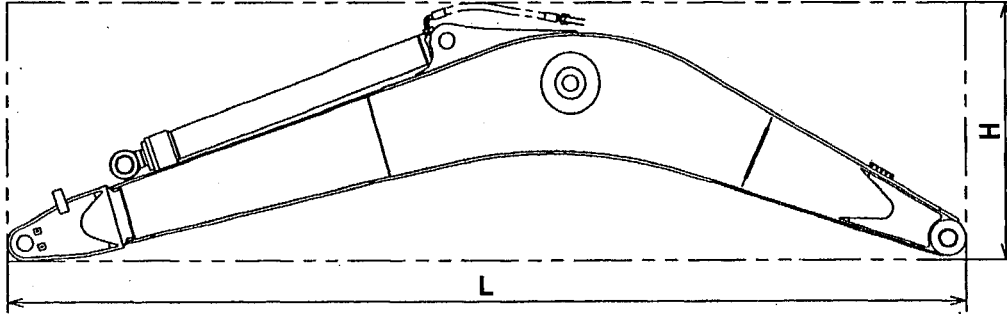
NOTE

This illustration is for demonstration purposes only. Always, make sure to check actual dimensions after machine is loaded on trailer.

4.2 DIMENSIONS OF ATTACHMENT

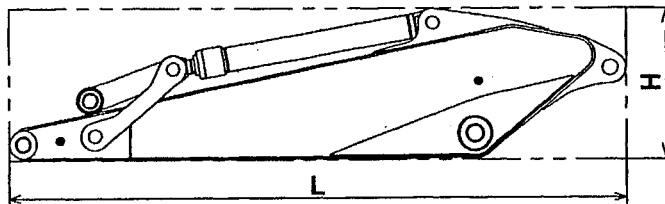
(1) BOOM

Item	Type	7.00m (23ft-0in) Boom
Length×Height×Width L×H×W	m(ft-in)	7.26×1.90×0.93 (23' 10"×6' 3"×3' 1")
Weight	kg (lb)	4,210 (9,280)



(2) ARM

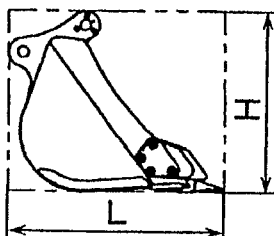
Item	Type	3.0m (9ft-10in)	3.45m (11ft-4in)	4.04m (13ft-3in)	4.9m (16ft-1in)
Length×Height×Width L×H×W	m(ft-in)	4.18×1.21×0.78 (13' 9"×3' 8"×2' 7")	4.70×1.15×0.78 (15' 5"×3' 9"×2' 7")	5.30×1.15×0.78 (17' 5"×3' 9"×2' 7")	6.14×1.26×0.78 (20' 2"×4' 2"×2' 7")
Weight	kg (lb)	2,250 (4,960)	2,380 (5,250)	2,570 (5,670)	2,940 (6,480)



(3) BUCKET

Type	Hoe bucket
Length×Height×Width L×H×W	1.78×1.56×1.52 (5' 10"×5' 1"×5' 0")
Weight	1,440 (3,170)
Bucket capacity	1.80 (2.35)

● Hoe bucket



5. SPECIFICATIONS AND PERFORMANCE

5.1 SPEED AND CLIMBING CAPABILITY

Item	Area & Model	KCME	ASIA
		SK480LC-6	SK450(LC)-6
Swing speed		9.1rpm	←
Travel speed (1-speed/2-speed)	km/h (mile/h)	3.5 / 5.8 (2.2 / 3.6)	←
Gradeability	%(degree)	70 (35)	←

5.2 ENGINE

Engine model	MMC (Mitsubishi) 6D24—TLU2G	MMC 6D24—TLE2A
Type	Water-cooled, 4-cycle direct injection type engine with turbo charger and inter cooler	←
Number of cylinders—Bore×Stroke	6—130mm×150mm (5.12in×5.91in)	←
Total displacement	11,950cc (729cu·in)	←
Rated output / Rotation speed	235kW (320PS) / 2,000rpm	←
Maximum torque / Rotation speed	129kgf·m (933 lbf·ft) / 1,200rpm	←
Starter	24V / 7.0kW	←
Alternator	24V / 35A	←

5.3 HYDRAULIC COMPONENTS

Hydraulic pump	Variable displacement axial piston + gear pump	←
Hydraulic motor (swing)	Axial piston motor	←
Hydraulic motor (travel)	2-speed axial piston motor	←
Control valve	6-spool control valve	←
Cylinder (Boom, Arm, Bucket)	Double action cylinder	←
Oil cooler	Air-cooled type	←

5.4 WEIGHT

	SK480LC-6	SK450LC-6	SK450-6
Fully equipped weight	45,900 (101,190)	←	45,200 (99,670)
Upper structure	20,800 (45,860)	←	←
Lower machinery	17,000 (37,490)	←	16,300 (35,930)
Attachment {7.00m (23ft-0in) Boom+3.45m (11ft-4in) Arm +1.80m ³ (2.35cu·yd) Bucket}	8,100 (17,860)	←	←