

**KOBELCO**  
**LK550-II**  
**PARTS MANUAL**

APPLICABLE LK550-II.RM02201~  
Book code No. S3RM1012 ①

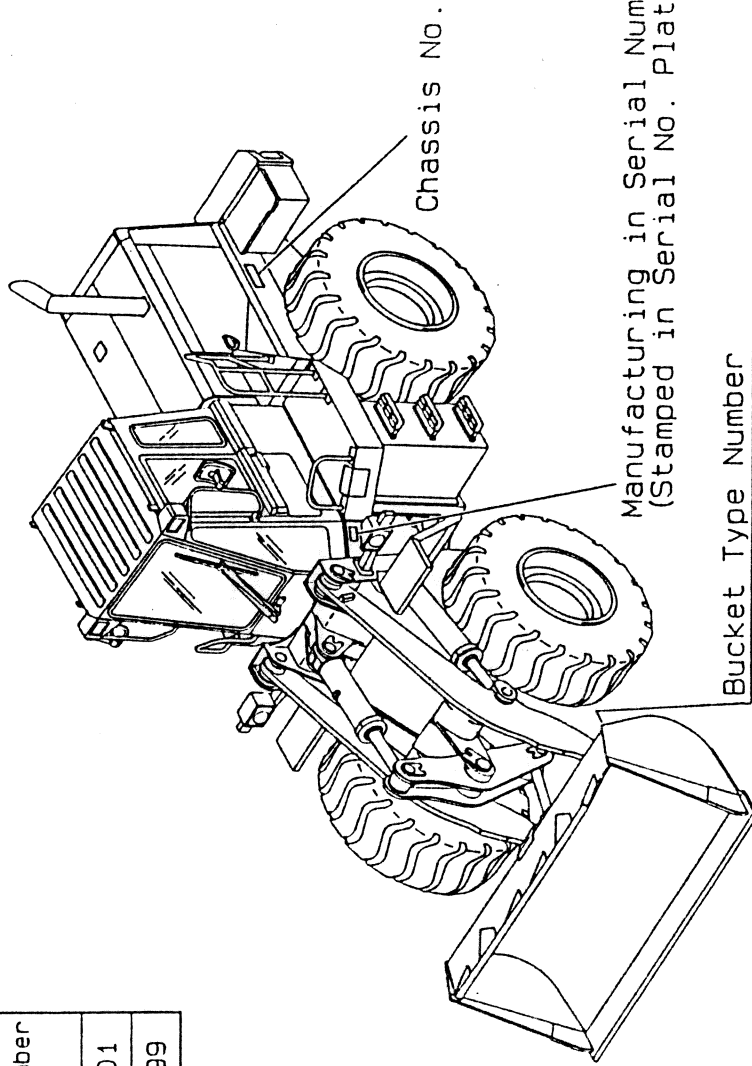
Printed in Japan 1992.05(K)

Any use of editorial or pictorial content is strictly prohibited without express written permission from  
Kobelco Construction Machinery America, LLC. Carol Stream, IL 60188 U.S.A.  
Copyright © 2003 Kobelco Construction Machinery America, LLC. All Rights Reserved.

DESIGNATION OF SERIAL NUMBER

- Chassis Number as stamped on rear chassis and Manufacturing Serial Number as stamped at a Serial Number Plate are described in this parts catalog as follows.
- Location of Manufacturing Serial No. and Chassis No.

Serial Number Listed in this parts catalog	Manufacturing Serial Number	Chassis Number
2201	RM02201	LK500-2201
2999	RM02999	LK500-2999



# NOTICE

## 1 PREFACE

When ordering parts, be sure to state "Model", "Serial No.", "Section No.", "Parts No.", "Parts Name" and "Quantity".  
When ordering parts of the bucket, be sure to state "Bucket type number" marked on the bucket body also.

## 2 HOW TO USE THE LIST

The following example shows how to use the list.

SYM	PART NUMBER	PART NAME	Model Code			REMARKS
			UNIT	QTY	QTY	
001A	SK0501	CHASSIS ASY. FRONT	1	101	120	
001B	SK0502	CHASSIS ASY. FRONT	1	121		
002A	SK0503	ARM ASY. LEFT	1	101		Y02
004A	SK0504	STOPPER	3	101		01 02
004A	SK0505	STOPPER	2	101		01 02

(B)	(C)	(D)	(E)	(F)	(G)	(H)	(I)
-----	-----	-----	-----	-----	-----	-----	-----

(A) (Section No.) It is a title number for each explosion-figure page.

(B) (Symbol) It is a key for finding out parts No. from illustration. The symbol to which three zeros are prefixed, e.g., 000A, 000B, etc. tells that the unit is an assembly.  
The individual parts not numbered in illustration will not be sold separately.

- (C) (Unit Q'ty)
  - 1 It indicates number of piece(s) for a set where as in case three zeros are prefixed it indicates that for one unit.
  - 2 In case indicated as 1M, 2M ... the part will be as pieces 1 meter, 2 meter ... long where as actual length values are indicated in the REMARK.
  - (Example 1)  
In case of the indication "Q'ty 2M REMARK L=1700" the part will be sold as a piece 2 meter long where as actually a Piece of 1700 mm length is required.
  - (Example 2)  
In case of the indication "Q'ty 2M REMARK L=1400 x Q'ty 2" the part will be sold as a piece 3 meter long where as actually 2 pieces of 1400 mm length are required.

(E) The abbreviation "A/R", means that necessary quantity as well as size vary with repairing purposes as the case may be.

(D) (SERIAL)  
(A) ..... First applicable Serial No.  
(B) ..... Last applicable Serial No.

(E) (N) ..... "N" in the column represents "Not available for Sale".

(F) (P) .....  
The following symbols come in this column:  
Meaning of each symbol is as follows:

- A ..... New and old parts interchangeable  $\frac{New}{\leftrightarrow} \frac{Old}{\leftrightarrow}$
- B ..... New and old parts not interchangeable  $\frac{New}{\times} \frac{Old}{\times}$
- C ..... New parts unilaterally interchangeable with old parts  $\frac{New}{\leftrightarrow} \frac{Old}{\times}$

Ⓒ (D)..... The following symbols come in this column:  
Meaning of each symbol is as follows:

- D..... Not used in the current design.  
H..... These parts are not available due to suspension of manufacture and supply. Alternative parts are indicated below.

Ⓓ (REMARKS  
(A), (B), (C), (D), (E))

The following symbols come in this column:  
Meaning of each symbol is as follows:  
01, 02 ~ 99 Represents composing parts of ASSY of Y01, Y02 ~ Y99.  
Y01, Y02 ~ Y99 Represents ASSY composing parts of 01, 02 ~ 99.  
(Example) Refer to the list example mentioned before.  
SYMBOL 001A 9K0501 FRONT CHASSIS ASSY is quoted together with Y01. This is ASSY composed of SYMBOL. 041A, 042A, accompanied by 01.

K1, K2 ~ K9 Represents composing parts of kit parts of QK1, QK2 ~ QK9.  
QK1, QK2 ~ QK9 Represents kit parts composing parts of K1, K2 ~ K9.  
A1, A2 ~ A9 Represents composing parts of replaceable set parts of WA1, WA2 ~ WA9.  
WA1, WA2 ~ WA9 Represents interchangeability by the total group of composing parts of A1, A2 ~ A9 in one set.  
However, as parts expressed with WA1, WA2 ~ WA9 do not stand for set parts, place an order for all parts of A1, A2 ~ A9 at a time.

Example:

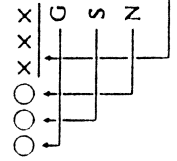
SYMBOL	P/No.	P-NAME	UNIT QTY	SERIAL	** REMARKS **
					N P D (A) (B) (C)
001A	9K0501			101 ~ 120	
001B	9K0502			121 ~	
041A	9K0504		3		WA1
042A	9K0505		2		B A1 A1

Represents interchangeability of 001B 9K0502 (assembled parts including 041A, 042A) in replacing 001A 9K0501.

Ⓔ (REMARK)

Example;

- ① REF 618 ..... Refer to section 618
- ② FR (LH) ..... For Left Hand  
FR (RH) ..... For Right Hand } (View from operator's seat)
- ③ D80 x 185L ..... Size  $\phi$ 80 mm 185 mm Length
- ④ Old Parts No. or Ref. Parts No.
- ⑤ (01), (02) ~ .... Those parts compose the kit parts, Y01, Y02 ~ of section 395.
- ⑥ (K1), (K2) ~ .... Those parts compose the kit parts QK1, QK2 ~ of section 395.
- ⑦ (K) ..... Composing parts of section 395.
- ⑧ The type of bucket is shown by the following code.



(Note) The parts not numbered individually in the illustration will not be sold separately.  
The parts which parts number is not listed individually will not be sold separately.



# SECTION INDEX

1. CHASSIS AND ELECTRICAL SYSTEM .....	101-1
2. POWER SYSTEM .....	201-1
3. TORQUE CONVERTER AND TRANSMISSION SYSTEM .....	301-1
4. AXLE AND DIFFERENTIAL .....	401-1
5. BRAKE SYSTEM .....	501-1
6. CONTROL SYSTEM .....	601-1
7. LOADING HYDRAULIC SYSTEM .....	701-1
8. ACCESSORIES, BUCKET, ETC. ....	802-1
9. CAB .....	901-1
10. ENGINE .....	1001-1

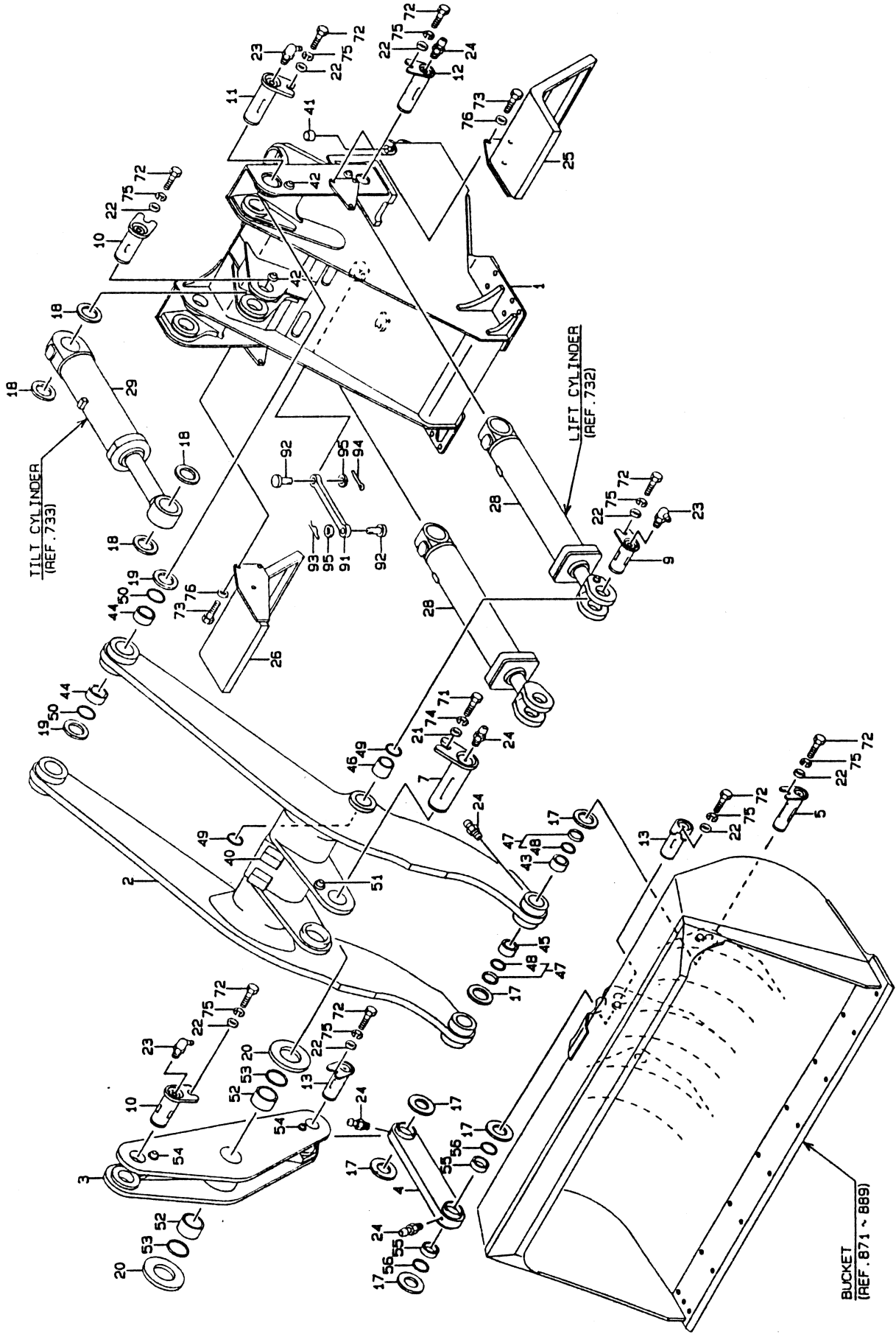




CHASSIS AND ELECTRICAL SYSTEM

ZM3-101	Front chassis group .....	101-1
ZM3-102	Rear chassis group .....	102-1
ZM3-103	Center pin group .....	103-1
ZM3-105	Fuel tank group .....	105-1
ZM3-106	Oil tank group .....	106-1
ZM3-107	Floor board group .....	107-1
ZM3-110	Operation board group .....	110-1
ZM3-112	Deck & fender group .....	112-1
ZM3-113	Engine room group .....	113-1
ZM3-120	Gauge group .....	120-1
ZM3-121	Electrical wiring-front chassis .....	121-1
ZM3-122	Electrical wiring-rear chassis .....	122-1
ZM3-123	Electrical wiring-floor board .....	123-1
ZM3-124	Electrical parts mount .....	124-1
ZM3-125	Lamp group .....	125-1
ZM3-127	Battery mount .....	127-1
ZM3-131	Seat & suspension group .....	131-1

ZM3-101 FRONT CHASSIS GROUP



ZM3-101

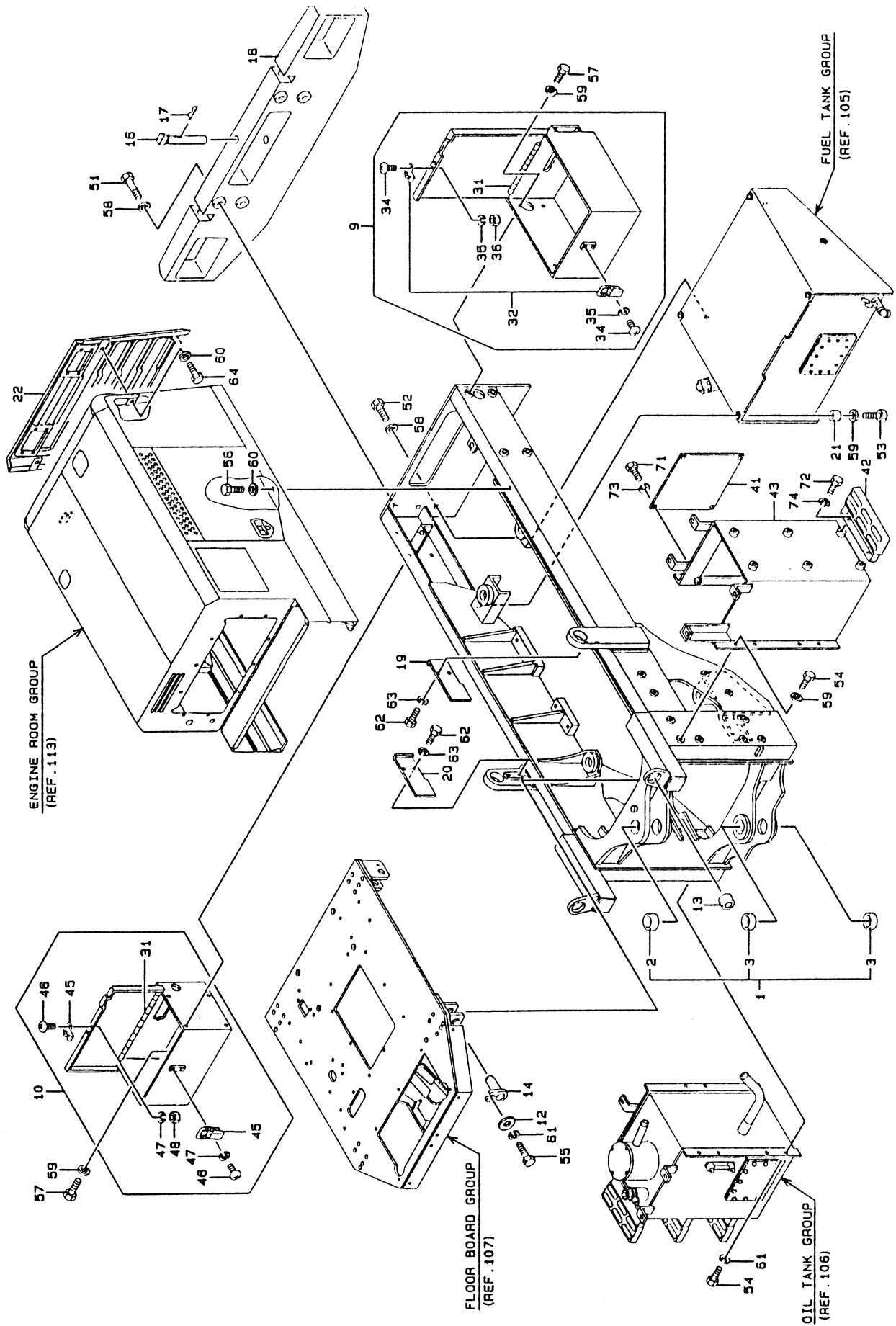
SYM BOL	PART NUMBER	PART NAME	UNIT Q.TY	SERIAL (A) (B)	N P D (A) (B) (C) (D) (E)	R E M A R K S	REMARK
001A	9K2041	CHASSIS ASSY, FRONT	1	2201-	Y01		
002A	9K1942	ARM ASSY, LIFT	1	2201-	Y02		
003A	9K2331	LEVER	1	2201-	Y04		
004A	9K2301	LINK, BUCKET	1	2201-	Y05		
005A	9K2162	PIN	2	2201-		D60 X 261L	
007A	9K2163	PIN	1	2201-		D100 X 270L	
009A	9K2164	PIN	2	2201-		D70 X 164L	
010A	9K2165	PIN	1	2201-		D70 X 176L	
011A	9K2166	PIN	2	2201-		D80 X 219L	
012A	9K2167	PIN	2	2201-		D70 X 220L	
013A	9K2168	PIN	1	2201-		D60 X 194L	
017A	9K2220	PLATE	A/R	2201-		T=1	
018A	9K2223	PLATE	A/R	2201-		T=1	
019A	9K2221	PLATE	A/R	2201-		T=1	
020A	9K2222	PLATE	A/R	2201-		T=1	
021A	9K1221	WASHER, PLANE	1	2201-			
022A	9K1219	WASHER, PLANE	12	2201-			
023A	9K1875	NIPPLE, GREASE	5	2201-			
024A	9K1874	NIPPLE, GREASE	7	2201-			
025A	9K2178	FENDER	1	2201-			
026A	9K2179	FENDER	1	2201-			
028A	9K2048	CYLINDER ASSY, OIL	2	2201- 2266			REF 732
028B	9K2877	CYLINDER ASSY, OIL	2	2267-	C		REF 732
029A	9K2049	CYLINDER ASSY, OIL	1	2201- 2266			REF 733
029B	9K2876	CYLINDER ASSY, OIL	1	2267-	C		REF 733
040A	9K2209	PLATE	2	2201-			(WELDING)

SYM BOL	PART NUMBER	PART NAME	UNIT Q.TY	SERIAL		REMARKS					
				(A)	(B)	N P D (A)	(B) (C)	(D) (E)	.....	REMARK	.....
041A	9K2510	BUSHING	1	2201-	01						
042A	9K0892	BOSS	5	2201-	01						
043A	9K2189	BUSHING	2	2201-	02						
044A	9K1676	BUSHING	4	2201-	02						
045A	9K2193	BUSHING	2	2201-	02						
046A	9K2511	BUSHING	2	2201-	02						
047A	9K2014	SEAL ASSY, DUST	4	2201-	02	Y03					
048A	9K2517	SEAL, DUST	1	2201-	03						
049A	9K1691	SEAL, DUST	4	2201-	02						
050A	9K1692	SEAL, DUST	4	2201-	02						
051A	9K0893	BOSS	1	2201-	02						
052A	9K2512	BUSHING	2	2201-	04						
053A	9K2519	SEAL, DUST	2	2201-	04						
054A	9K0892	BOSS	2	2201-	04						
055A	9K2508	BUSHING	4	2201-	05						
056A	9K2517	SEAL, DUST	4	2201-	05						
071A	9K2474	BOLT	1	2201-							
072A	9K1528	BOLT	12	2201-							
073A	9K1548	BOLT	6	2201-							
074A	9K1655	WASHER, SPRING	1	2201-							
075A	9K1654	WASHER, SPRING	12	2201-							
076A	9K1641	WASHER, PLANE	6	2201-							
091A	9K0904	LINK	1	2201-							
092A	9K0737	PIN, HEAD	2	2201-							
093A	9K0741	PIN, SNAP	1	2201-							
094A	9K1667	PIN, SPLIT	1	2201-							

ZM3-101

SYM	PART NUMBER	PART NAME	UNIT Q.TY	SERIAL (A)	REMARKS
BOL				(B)	N P D (A) (B) (C) (D) (E) . . . . . REMARK . . . . .
095A	9K1637	WASHER, PLANE	2	2201-	

ZM3-102 REAR CHISSIS GROUP



ZM3-102

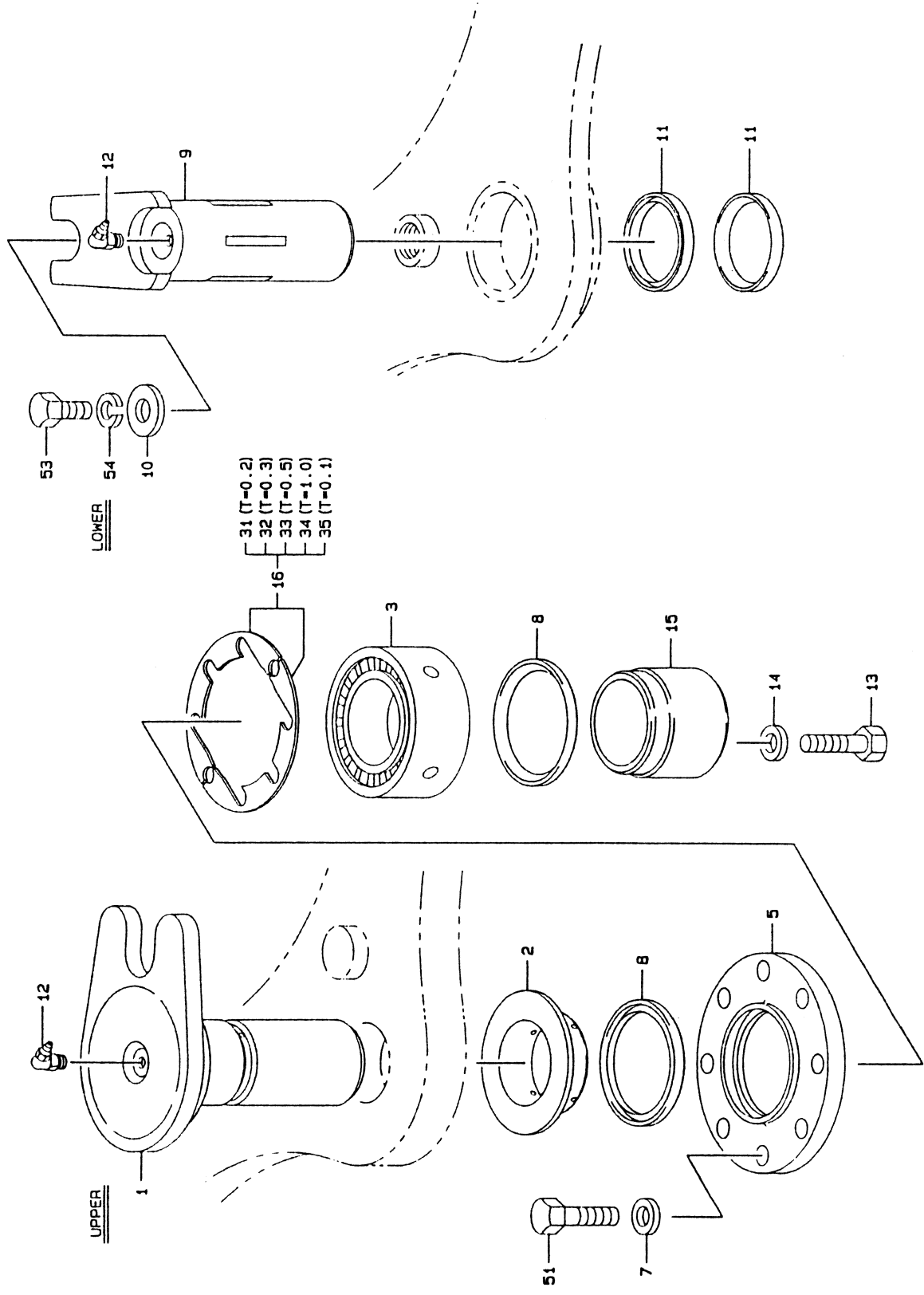
SYM BOL	PART NUMBER	PART NAME	UNIT Q.TY	SERIAL		REMARKS				
				(A)	(B)	N P D (A)	(B) (C) (D) (E)	.....	REMARK	.....
001A	9K2042	CHASSIS, REAR	1	2201-	Y01					
002A	9K2190	BUSHING	1	2201-	01					
003A	9K2191	BUSHING	2	2201-	01					
009A	9K2266	BOX	1	2201-	2251	Y02				
009B	9K2864	BOX	1	2252-		C	Y03			
010A	9K2267	BOX	1	2201-				Y04		
012A	9K1223	WASHER, PLANE	4	2201-						
013A	9K0774	BUSHING, ELASTIC	4	2201-						
014A	9K0719	PIN	4	2201-						D40 X 114L
016A	9K2175	PIN, HEAD	1	2201-						
017A	9K2176	PIN, SNAP	1	2201-						
018A	9K1945	WEIGHT	1	2201-						
019A	9K2214	PLATE	1	2201-						
020A	9K2215	PLATE	1	2201-						
021A	9K1147	RING	2	2201-						
022A	9K1989	GRILLE	1	2201-						
031A	9K0700	HINGE	1	2201-			02 03 04			
032A	9K0140	CATCH	1	2201-	2251		02			
032B	9K2861	CATCH	1	2252-		B	03			
034A	9K1587	SCREW	4	2201-	2251		02			
034B	9K1587	SCREW	6	2252-			03			
035A	9K1647	WASHER, SPRING	4	2201-	2251		02			
035B	9K1647	WASHER, SPRING	6	2252-			03			
036A	9K1600	NUT	2	2201-	2251		02			
036B	9K1600	NUT	3	2252-			03			
041A	9K2213	PLATE	1	2201-						

SYM	PART NUMBER	PART NAME	UNIT Q.TY	SERIAL (A)	SERIAL (B)	N P D (A)	(B)	(C)	(D)	(E)	REMARK
BOL											
042A	9K0415	STEP	3	2201-							
043A	9K1958	COVER	1	2201-							
045A	9K0140	CATCH	1	2201-					04		
046A	9K1587	SCREW	4	2201-					04		
047A	9K1647	WASHER, SPRING	4	2201-					04		
048A	9K1600	NUT	2	2201-					04		
051A	9K2485	BOLT	4	2201-							
052A	9K2484	BOLT	2	2201-							
053A	9K2483	BOLT	2	2201-							
054A	9K1560	BOLT	12	2201-							
055A	9K1520	BOLT	4	2201-							
056A	9K1548	BOLT	8	2201-							
057A	9K1562	BOLT	8	2201-							
058A	9K1645	WASHER, PLANE	6	2201-							
059A	9K1642	WASHER, PLANE	22	2201-							
060A	9K1641	WASHER, PLANE	10	2201-							
061A	9K1651	WASHER, SPRING	4	2201-							
062A	9K1650	WASHER, SPRING	4	2201-							
063A	9K1516	BOLT	4	2201-							
064A	9K1549	BOLT	2	2201-							
071A	9K1516	BOLT	4	2201-							
072A	9K1526	BOLT	6	2201-							
073A	9K1650	WASHER, SPRING	4	2201-							
074A	9K1652	WASHER, SPRING	6	2201-							





ZM3-103 CENTER PIN GROUP

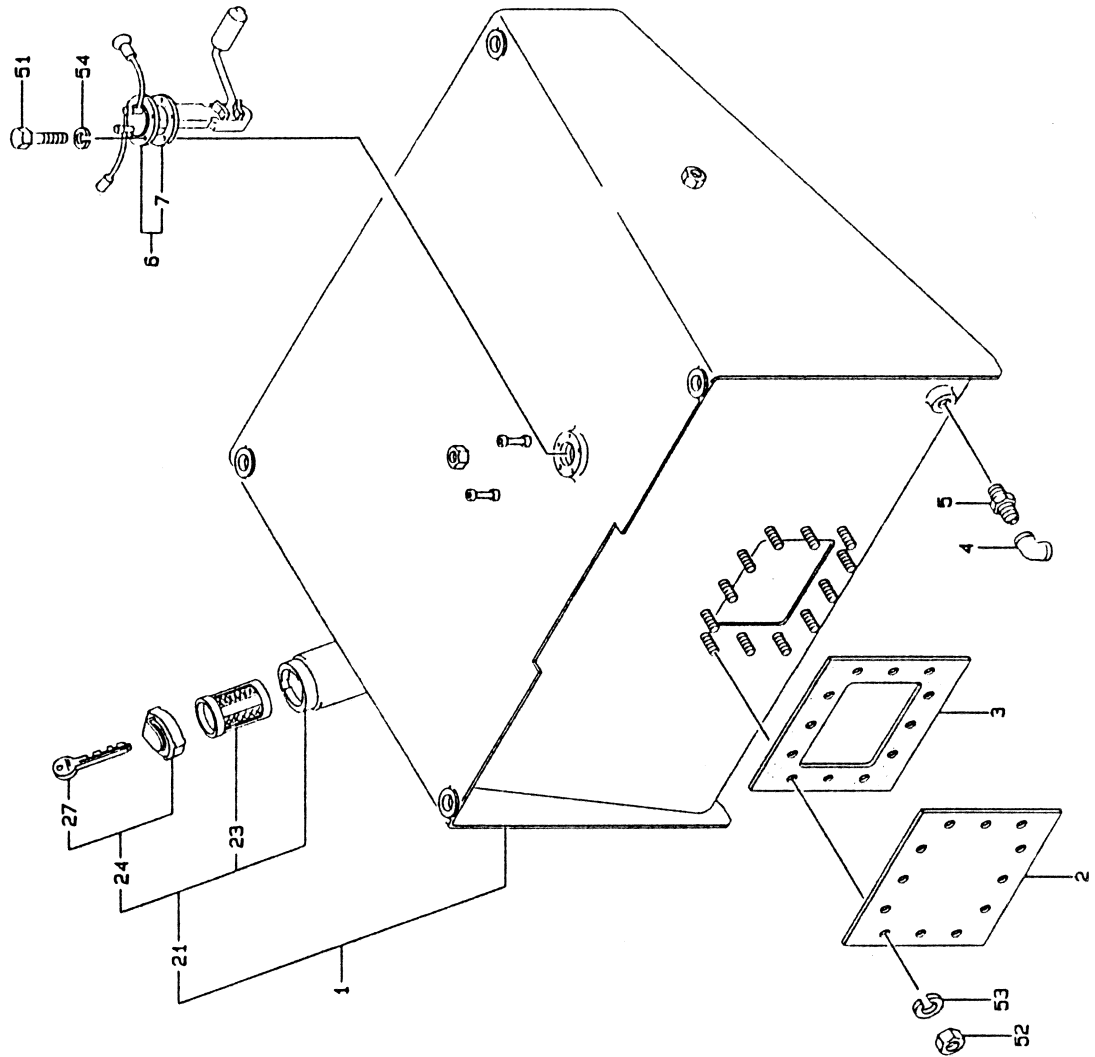


ZM3-103

103-2

SYM BOL	PART NUMBER	PART NAME	UNIT Q.TY	SERIAL (A) (B)	N P D (A) (B) (C) (D) (E)	R E M A R K S ..... REMARK .....
001A	9K2173	PIN,CENTER	1	2201-		FR UPPER
002A	9K2302	RING	1	2201-		
003A	9K2239	BEARING,TAPER ROLLER	1	2201-		
005A	9K2225	PLATE	1	2201-		
007A	9K1899	WASHER,CONICAL SPRING	8	2201-		
008A	9K1692	SEAL,DUST	2	2201-		
009A	9K2174	PIN,CENTER	1	2201-		FR LOWER
010A	9K1219	WASHER,PLANE	1	2201-		
011A	9K2518	SEAL,DUST	2	2201-		
012A	9K1875	NIPPLE,GREASE	2	2201-		
013A	9K2272	BOLT	3	2201-		
014A	9K2338	WASHER,PLANE	3	2201-		
015A	9K2188	BUSHING	1	2201-		
016A	9K2034	SHIM	A/R	2201-	Y01	
031A	9K2035	SHIM	2	2201-	01	T=0.2
032A	9K2036	SHIM	2	2201-	01	T=0.3
033A	9K2037	SHIM	2	2201-	01	T=0.5
034A	9K2038	SHIM	2	2201-	01	T=1.0
035A	9K2039	SHIM	2	2201-	01	T=0.1
051A	9K2497	BOLT	8	2201-		
053A	9K1560	BOLT	1	2201-		
054A	9K1654	WASHER,SPRING	1	2201-		

ZM3-105 FUEL TANK GROUP



105-1