

# CK800

**HYDRAULIC CRAWLER CRANE**

**KOBELCO**

A TOUCH OF THE FUTURE

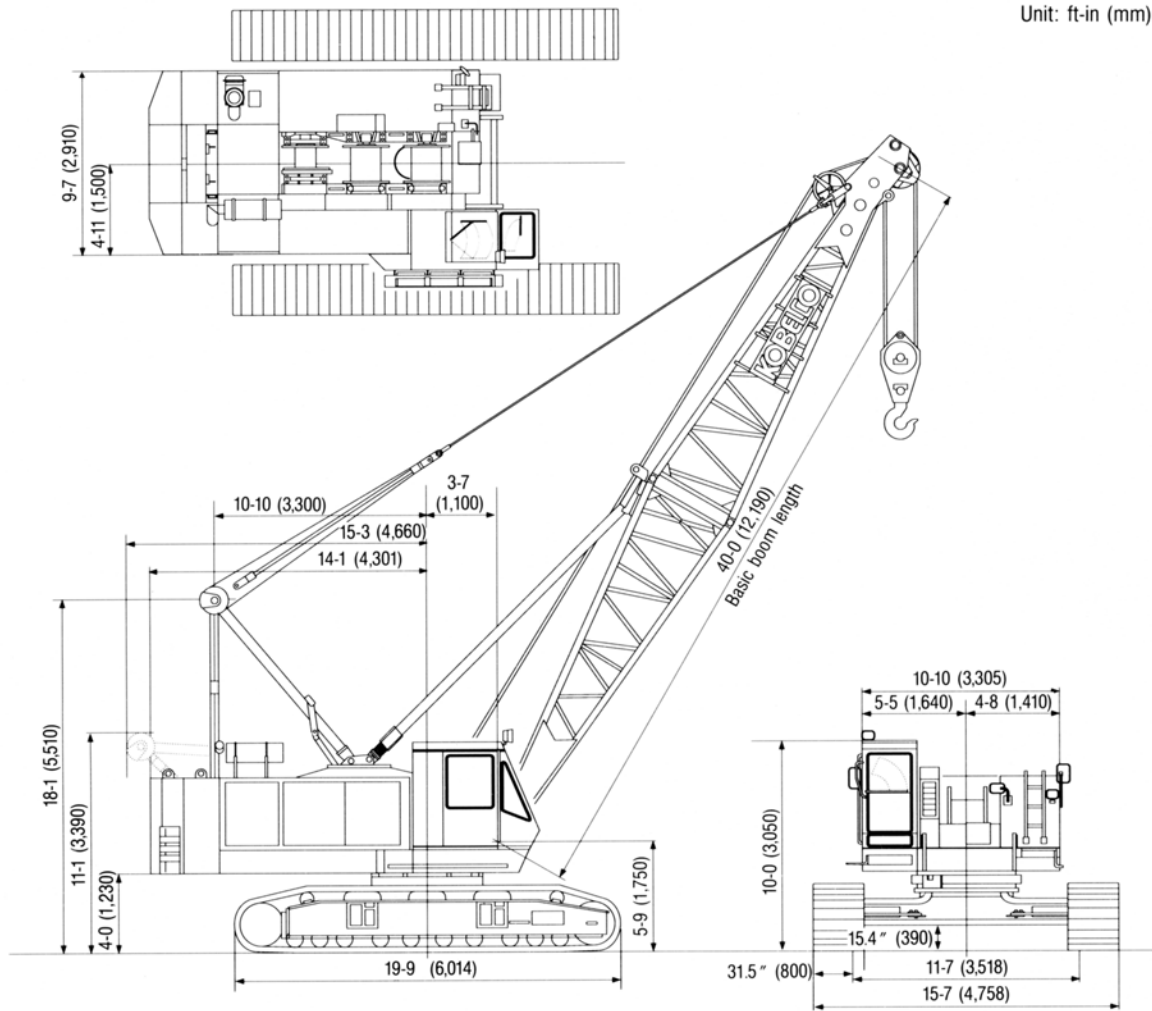
## Specifications

**Max. lifting capacity: 80 US tons at 11.5 ft**  
**Max. total length (boom+jib): 210 ft**  
**Max. boom length: 180 ft**

 **KOBE STEEL, LTD.**

# General Dimensions

Unit: ft-in (mm)



# Upper Machinery Layout

