

Hydraulic Crawler Crane

CK550

A TOUCH OF THE FUTURE!

Specifications

Max. lifting capacity: 55 US tons at 10.5 ft

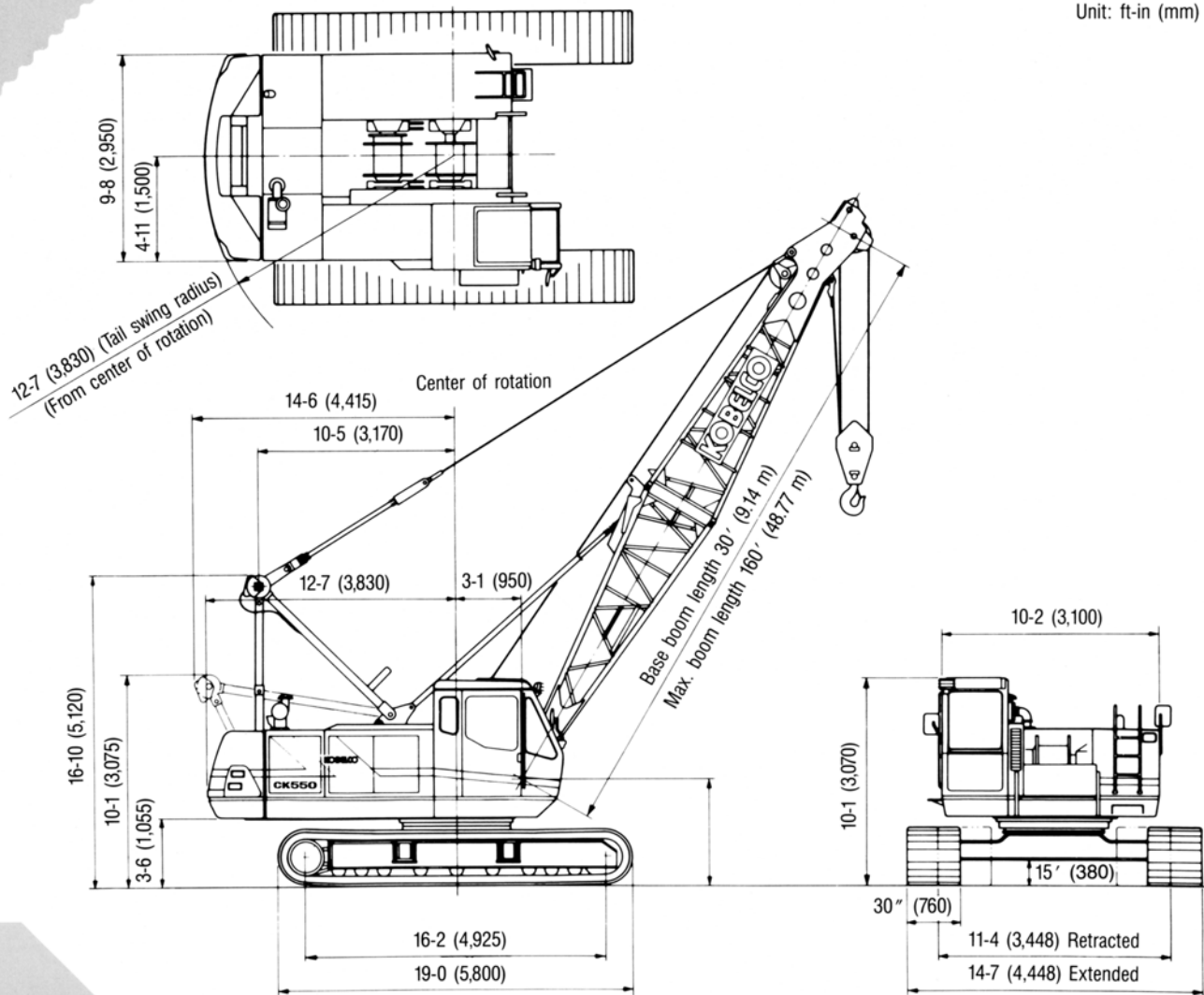
Max. total length (boom+jib): 190 ft

Max. boom length: 160 ft



General Dimensions

Unit: ft-in (mm)



Upper Machinery Layout

